

[54] **SIX-WHEEL ARMORED VEHICLE**

[75] **Inventors:** Irving Appelblatt, West Bloomfield;
Peter Krawiecki, Utica, both of Mich.

[73] **Assignee:** Cadillac Gage Company, Warren, Mich.

[**] **Term:** 14 Years

[21] **Appl. No.:** 182,273

[22] **Filed:** Aug. 28, 1980

[51] **Int. Cl.** D12-13
[52] **U.S. Cl.** D12/12
[58] **Field of Search** D12/12; 89/36 H

[56]

References Cited

U.S. PATENT DOCUMENTS

D. 195,832 8/1963 Bauer et al. D12/12
D. 245,000 7/1977 Longeau D12/12

Primary Examiner—James M. Gandy
Attorney, Agent, or Firm—Krass, Young & Schivley

[57]

CLAIM

The ornamental design for a six-wheel armored vehicle, as shown and described.

DESCRIPTION

FIG. 1 is a perspective view of a six-wheel armored vehicle embodying our new design;
FIG. 2 is a top plan view;
FIG. 3 is a left side elevational view;
FIG. 4 is a right side elevational view;
FIG. 5 is a front elevational view; and
FIG. 6 is a rear elevational view thereof.

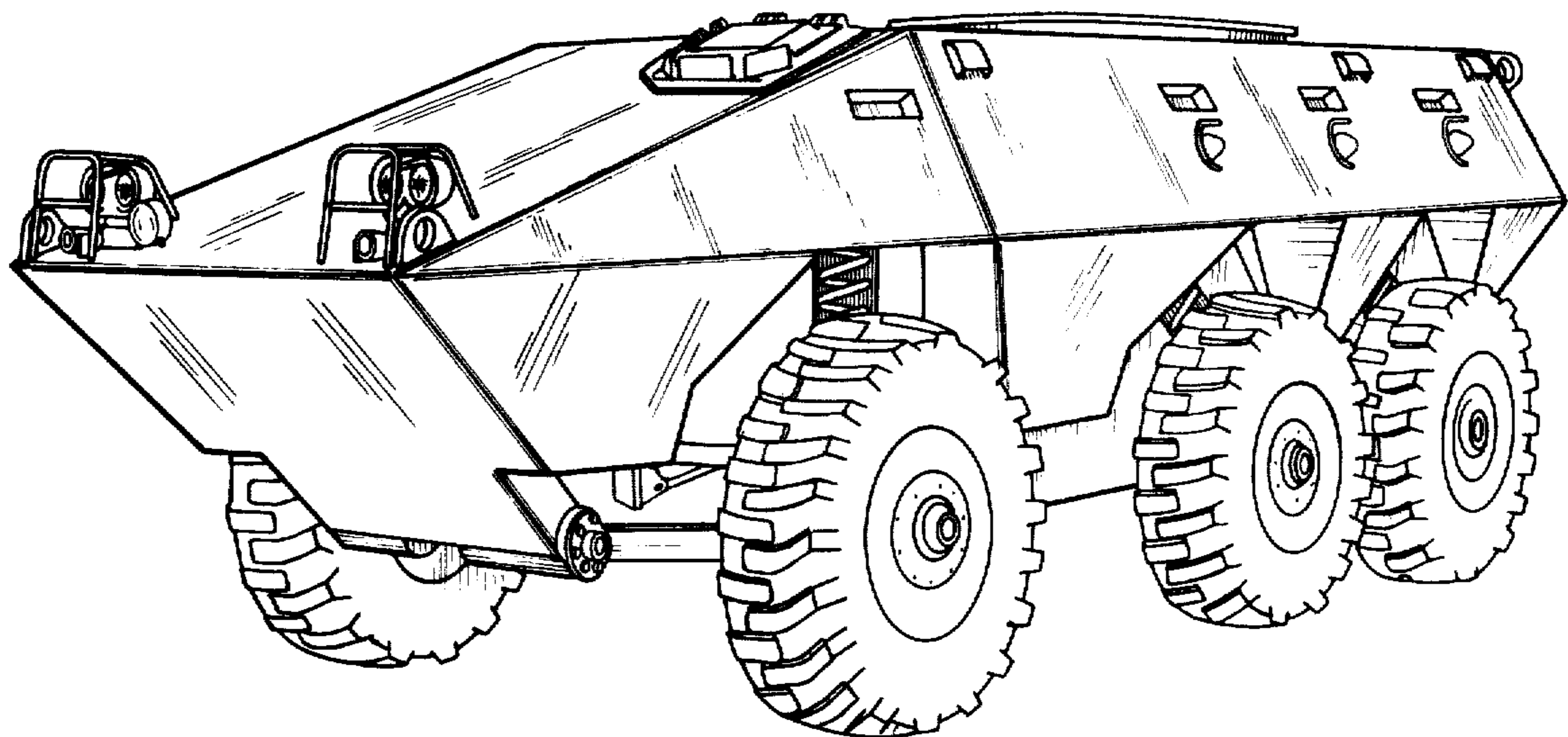


Fig-1

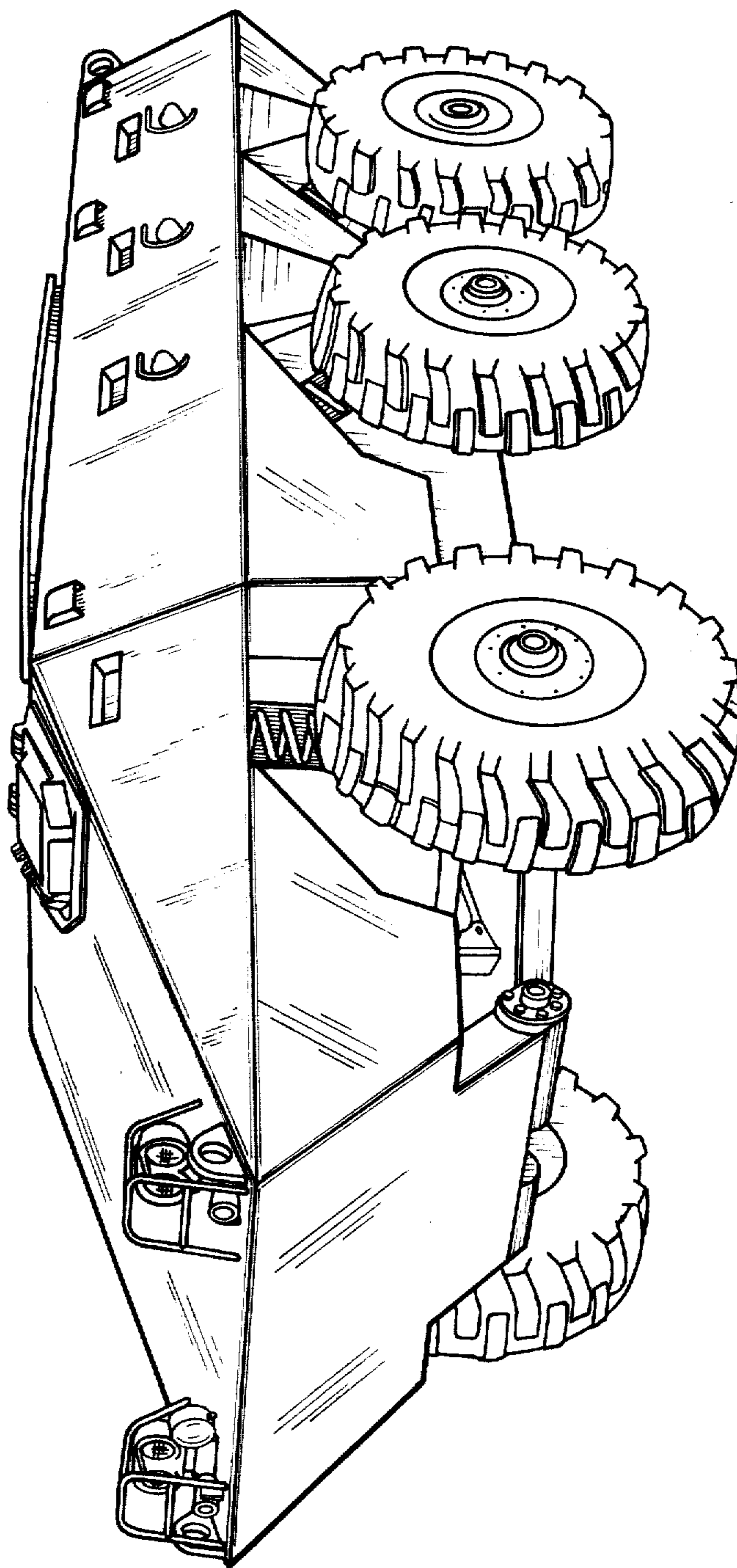


Fig-2

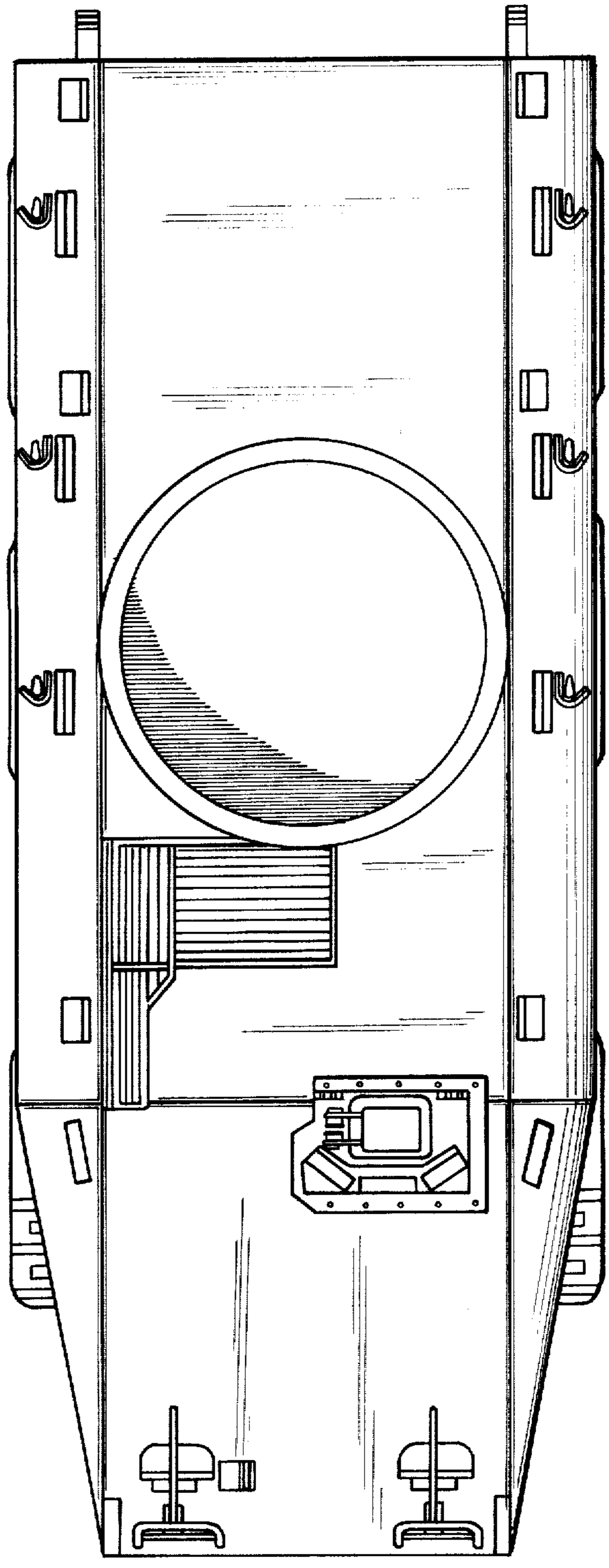


Fig-3

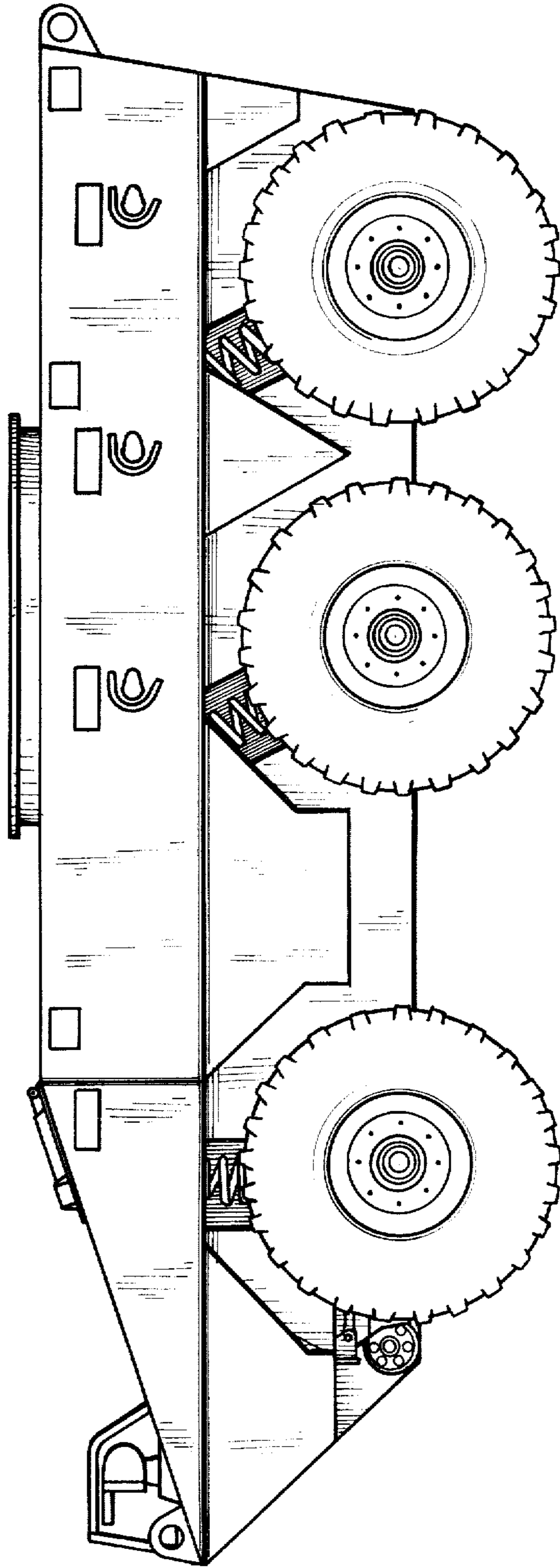


Fig-4

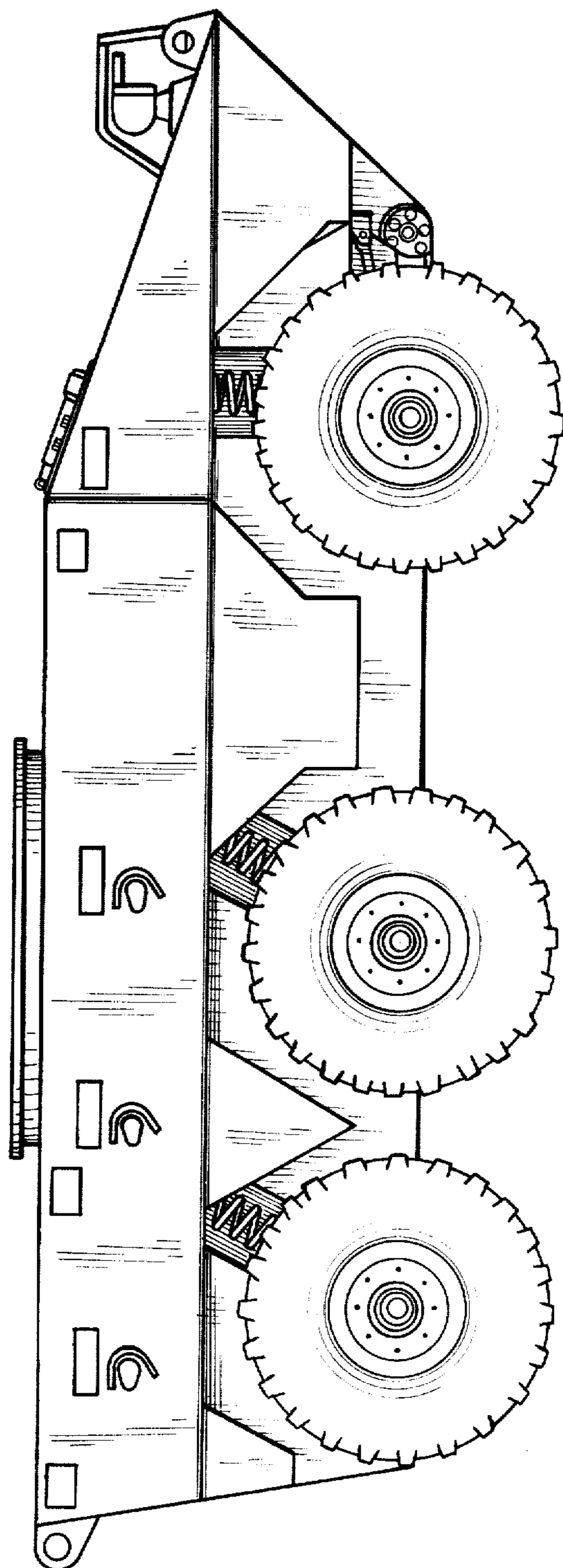


Fig-5

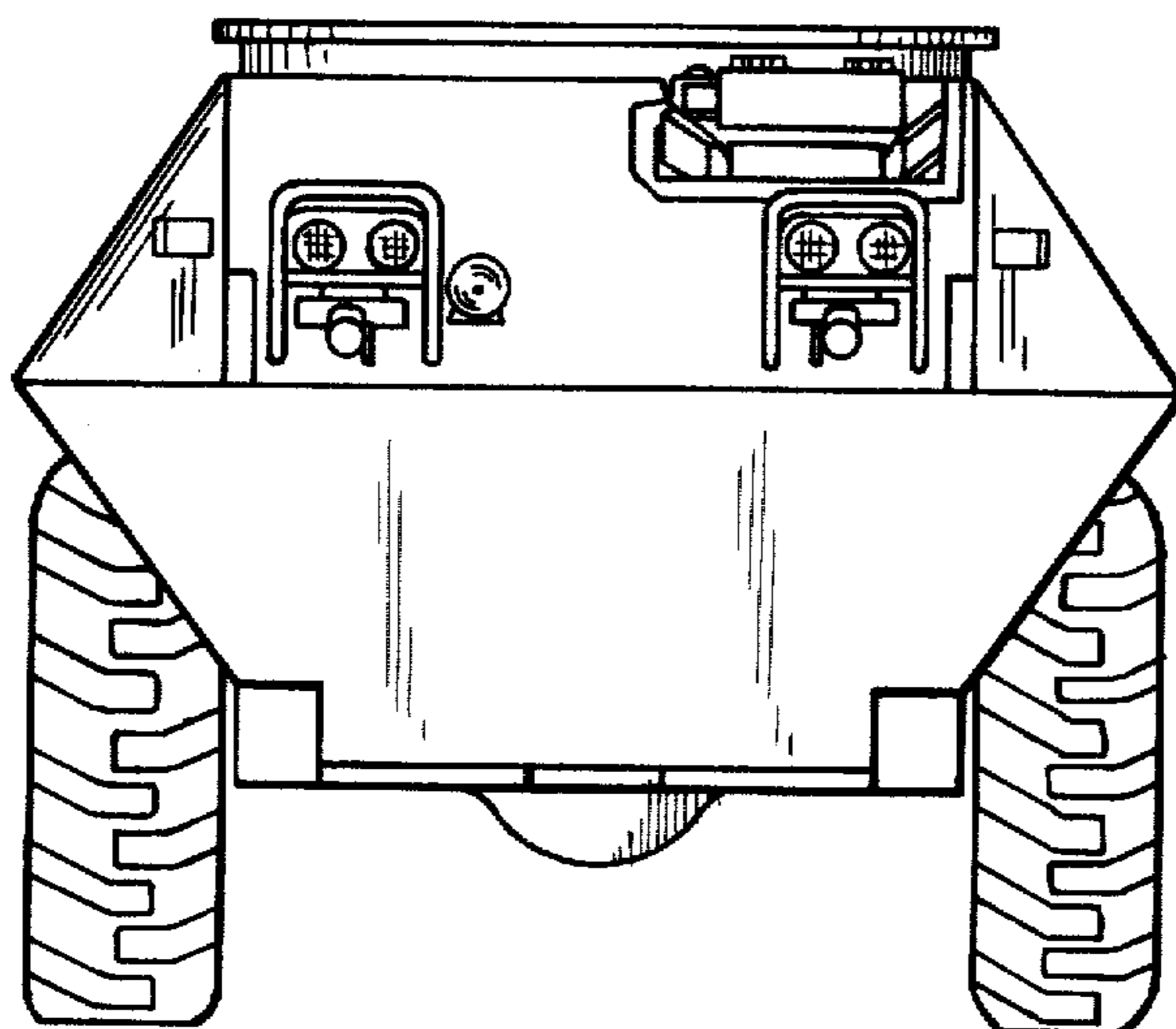


Fig-6

