

[54] SIREN

[75] Inventor: Yoshishige Shintaku, Osaka, Japan

[73] Assignee: Ibuki Kogyo Co., Ltd., Osaka, Japan

[**] Term: 14 Years

[21] Appl. No.: 185,133

[22] Filed: Sep. 8, 1980

[30] Foreign Application Priority Data

Apr. 11, 1980 [JP] Japan 55-14336

[51] Int. Cl. D10-05

[52] U.S. Cl. D10/120

[58] Field of Search D10/120; 340/405;
116/142, 147

[56]

References Cited

U.S. PATENT DOCUMENTS

D. 40,185	7/1909	Jones	D10/120
1,149,583	8/1915	Hutchison	340/405
2,028,465	1/1936	Middleton	340/405
3,634,701	4/1953	Gougeon	116/147

Primary Examiner—Susan J. Lucas
Attorney, Agent, or Firm—Zarley, McKee, Thomte,
Voorhees & Sease

[57]

CLAIM

The ornamental design for a siren, substantially as shown and described.

DESCRIPTION

FIG. 1 is a perspective view of a siren showing my new design;

FIG. 2 is a front elevational view thereof;

FIG. 3 is a top plan view thereof;

FIG. 4 is a left side elevational view thereof;

FIG. 5 is a rear elevational view thereof; and

FIG. 6 is a bottom plan view thereof.

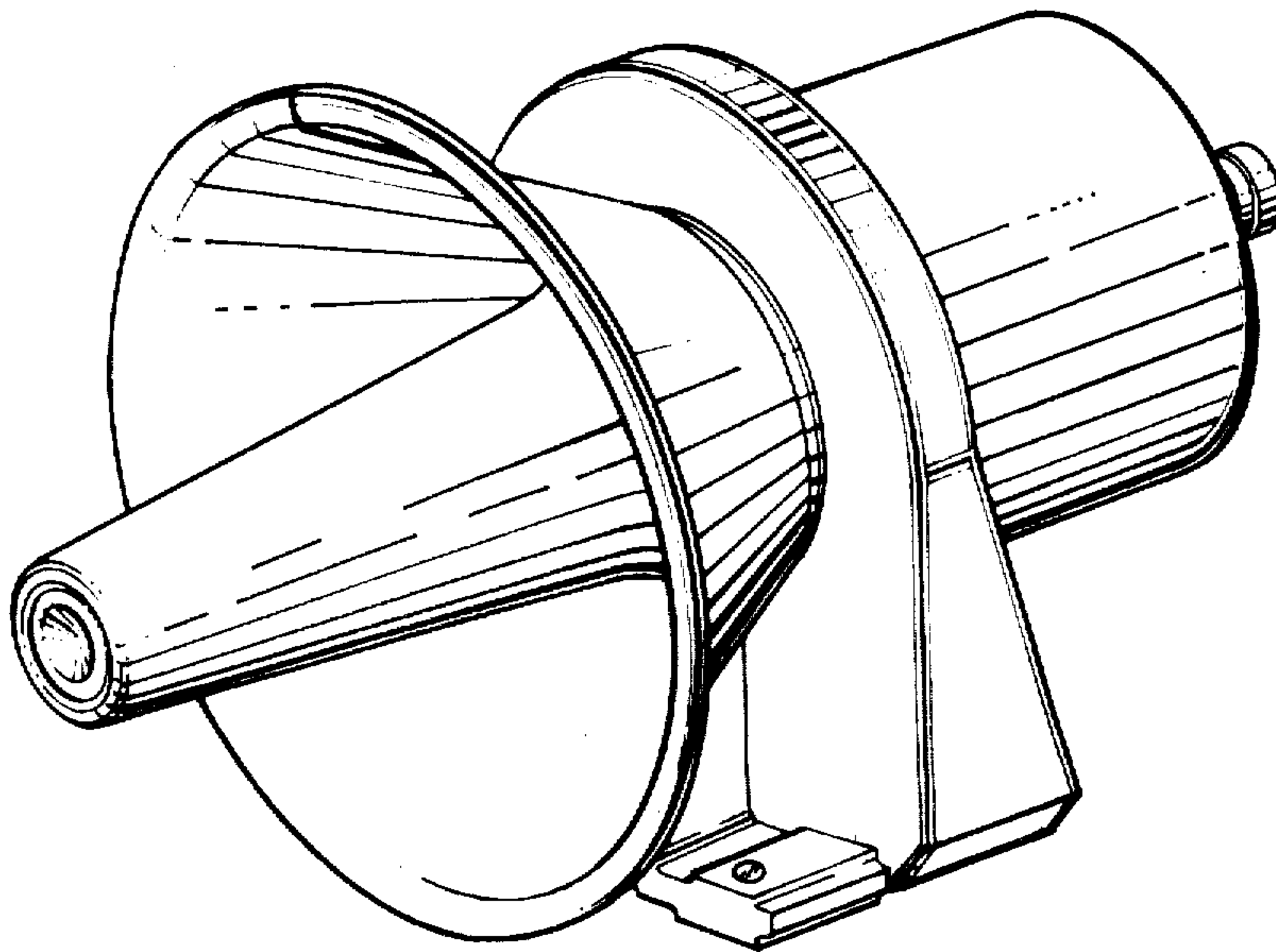


FIG. 1

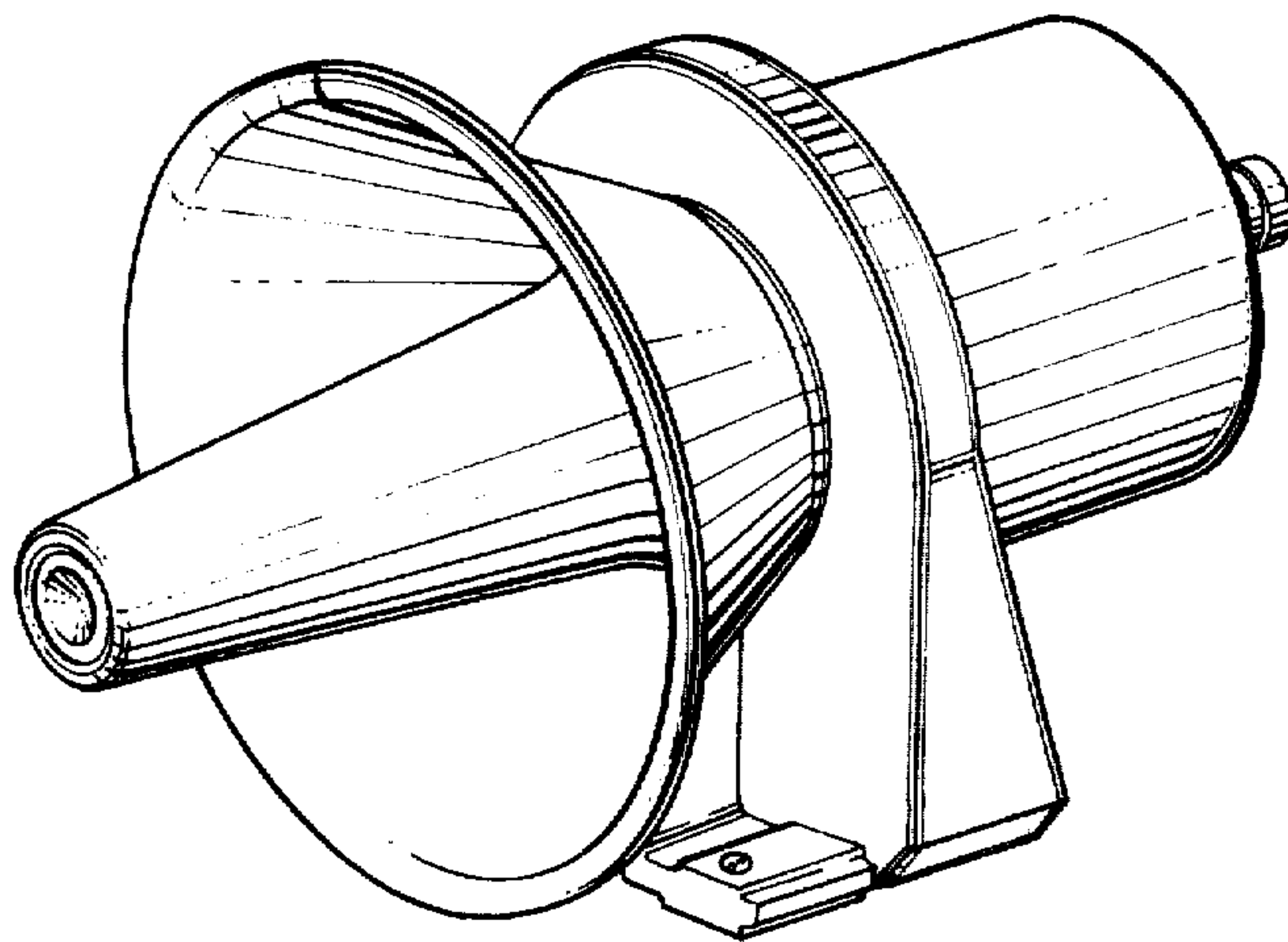


FIG. 2

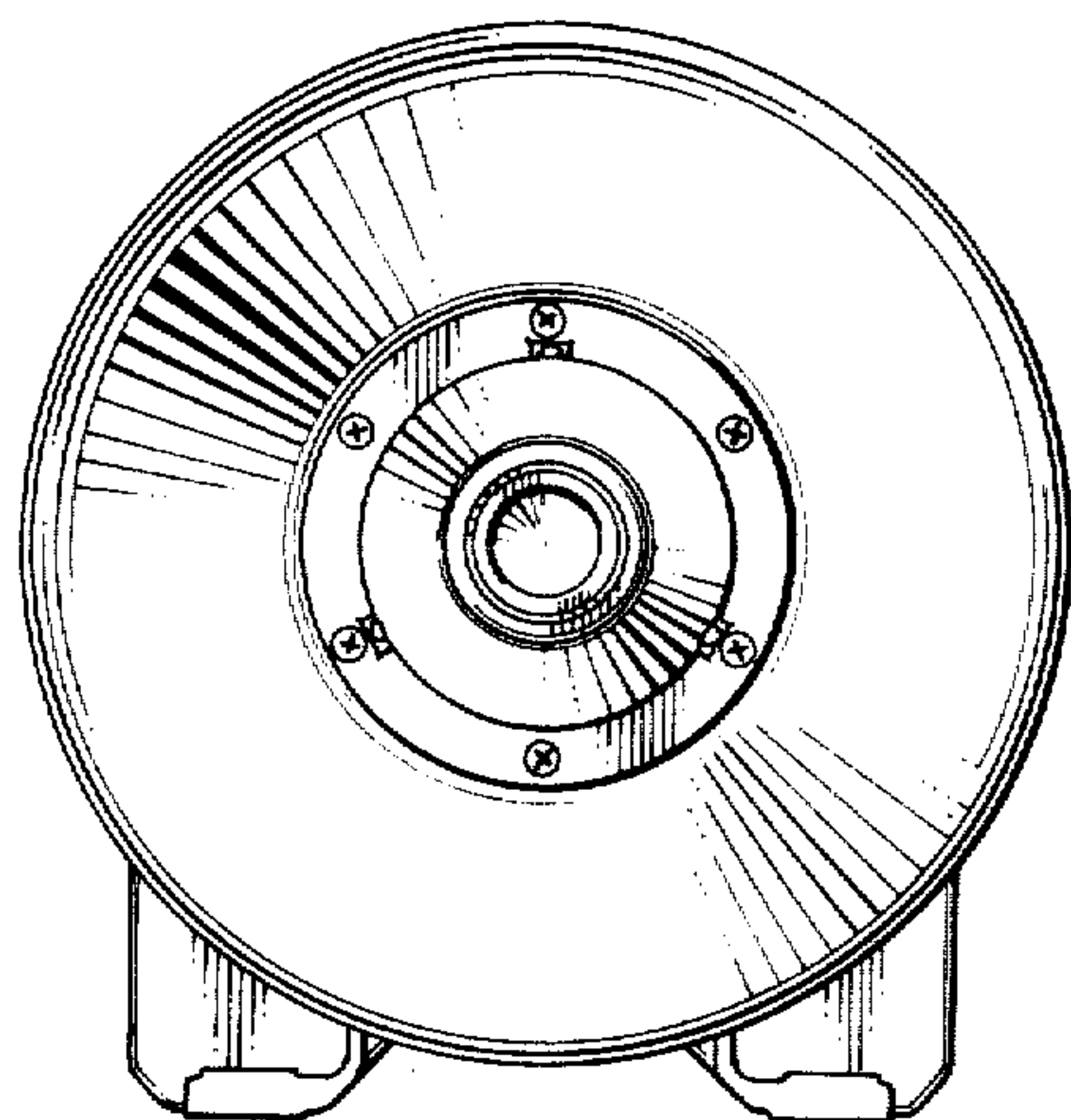


FIG. 3

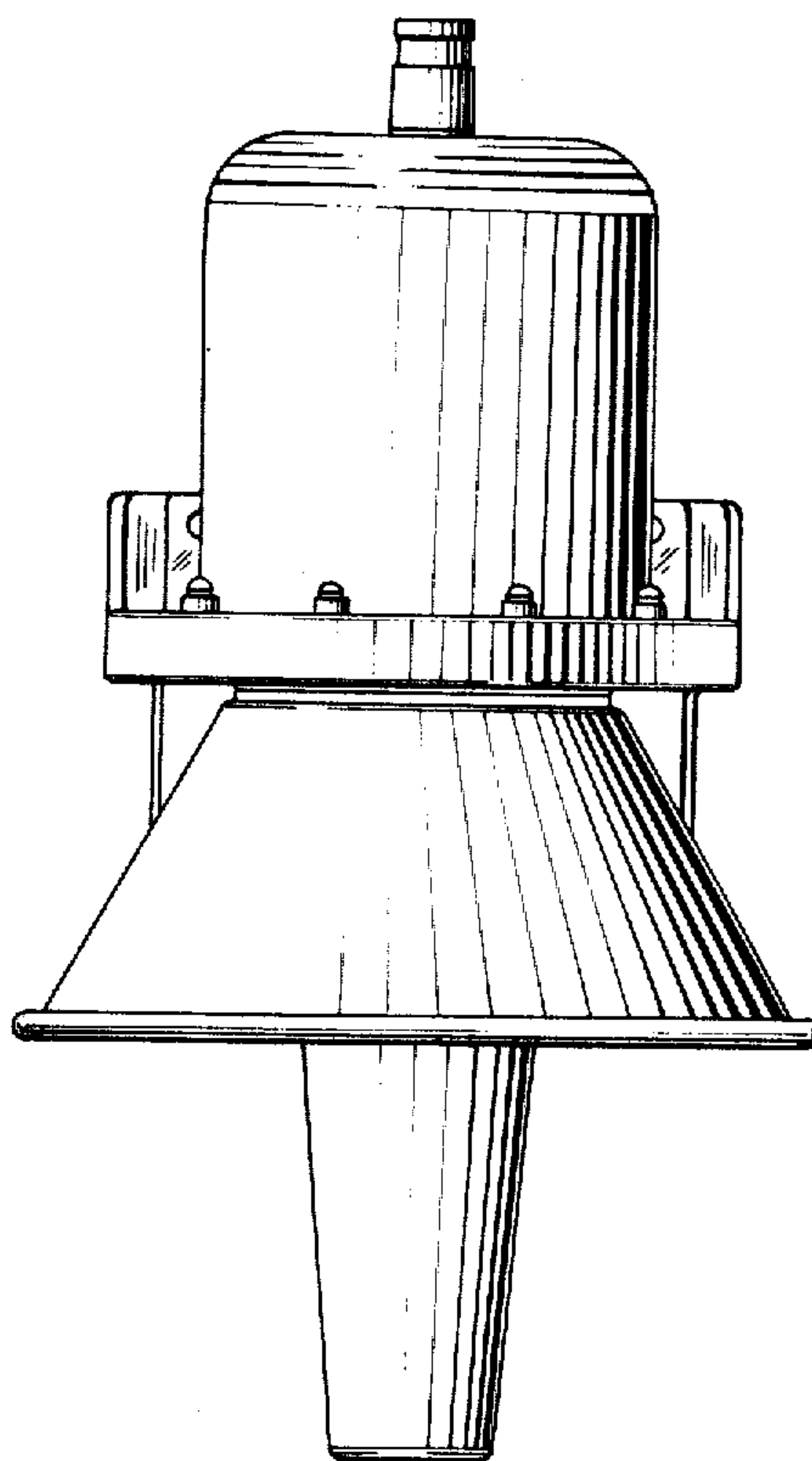


FIG. 4

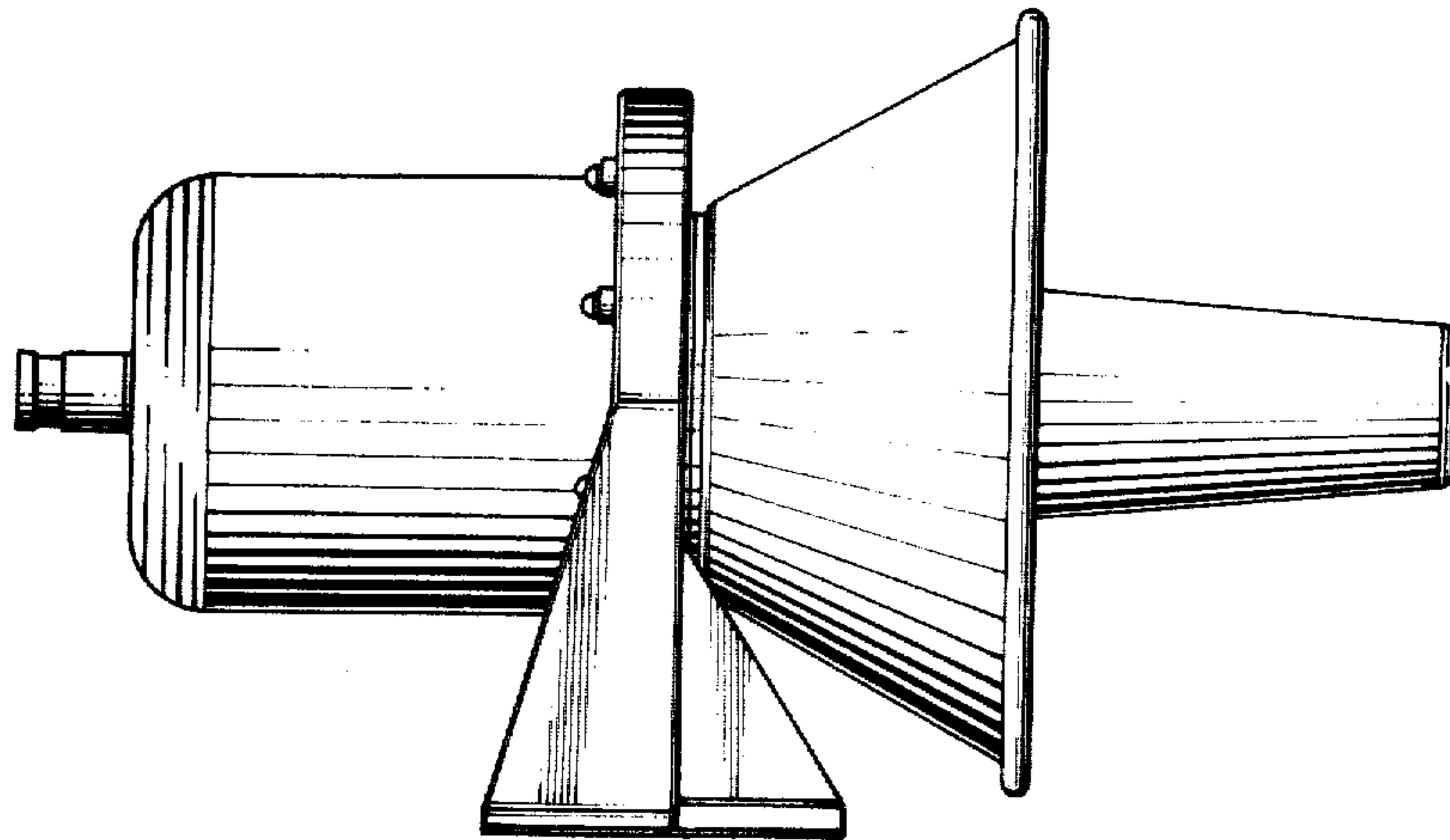


FIG. 6

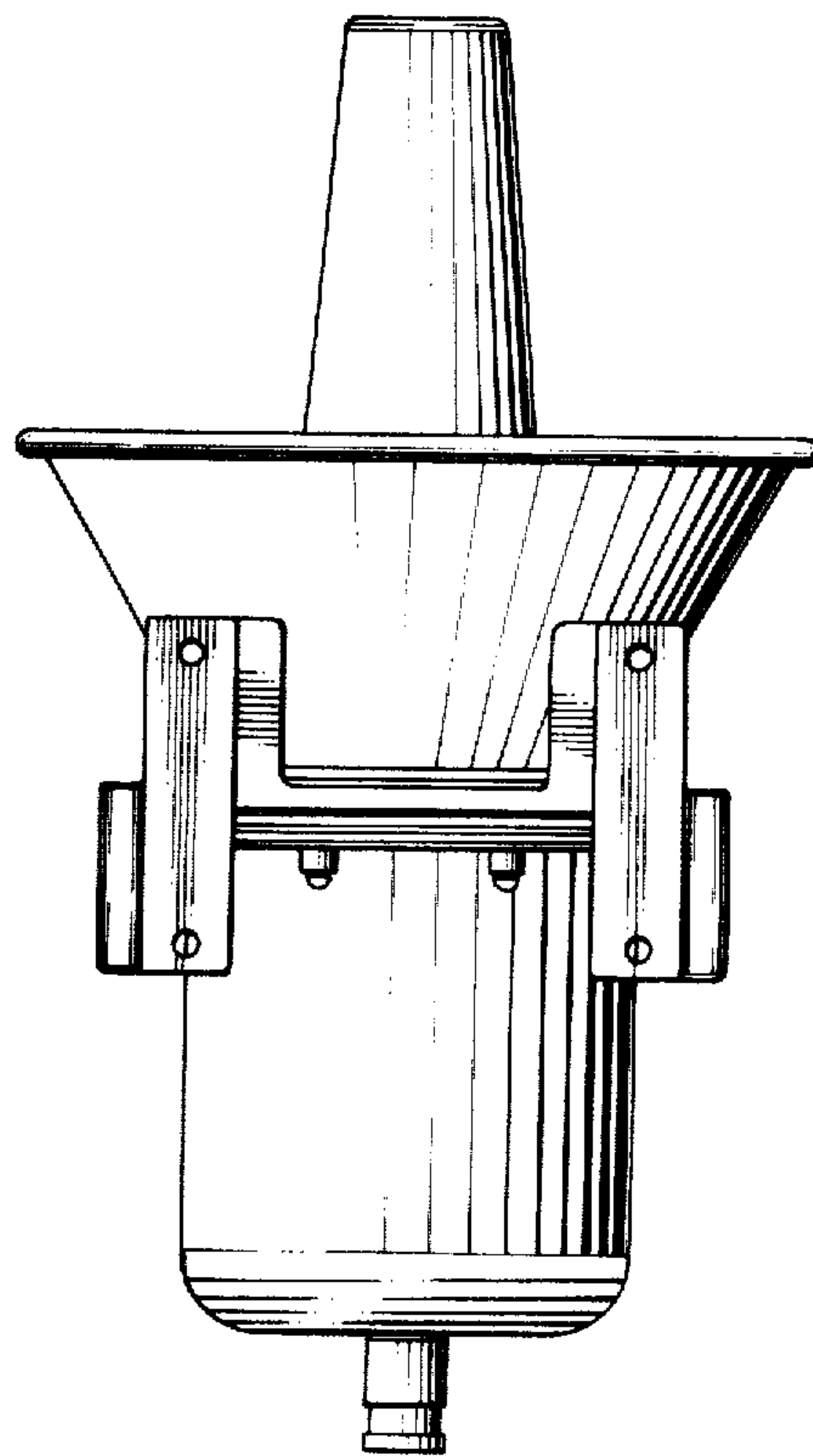


FIG. 5

