

- [54] **THIMBLE FOR A ROPE**
[76] **Inventor:** Bengt Johansson, Kullavägen 7,
Sjömarken, Sweden, 510 41
[**] **Term:** 14 Years
[21] **Appl. No.:** 271,689
[22] **Filed:** Jun. 8, 1981
[30] **Foreign Application Priority Data**
Dec. 9, 1980 [GB] United Kingdom 997976
[51] **Int. Cl.** D08-08
[52] **U.S. Cl.** D8/367; D8/356
[58] **Field of Search** D8/356, 367, 360, 382;
D12/303; 114/114, 115; 403/210, 342
[56] **References Cited**
U.S. PATENT DOCUMENTS
42,817 5/1864 Carroll 403/210
139,230 5/1873 Bell 403/210

D. 249,326 9/1978 Jöhanson D8/367

FOREIGN PATENT DOCUMENTS

873470 4/1953 Fed. Rep. of Germany .
492683 3/1919 France 114/115

Primary Examiner—Joel Stearman
Assistant Examiner—Carmen H. Vales
Attorney, Agent, or Firm—Holman & Stern

[57] **CLAIM**

The ornamental design for a thimble for a rope, as shown and described.

DESCRIPTION

FIG. 1 is a front elevational view of a thimble for a rope showing my new design;
FIG. 2 is a rear perspective view thereof;
FIG. 3 is a front perspective view thereof;
FIG. 4 is a bottom plan view thereof;
FIG. 5 is a side elevational view thereof; and
FIG. 6 is a top plan view thereof.

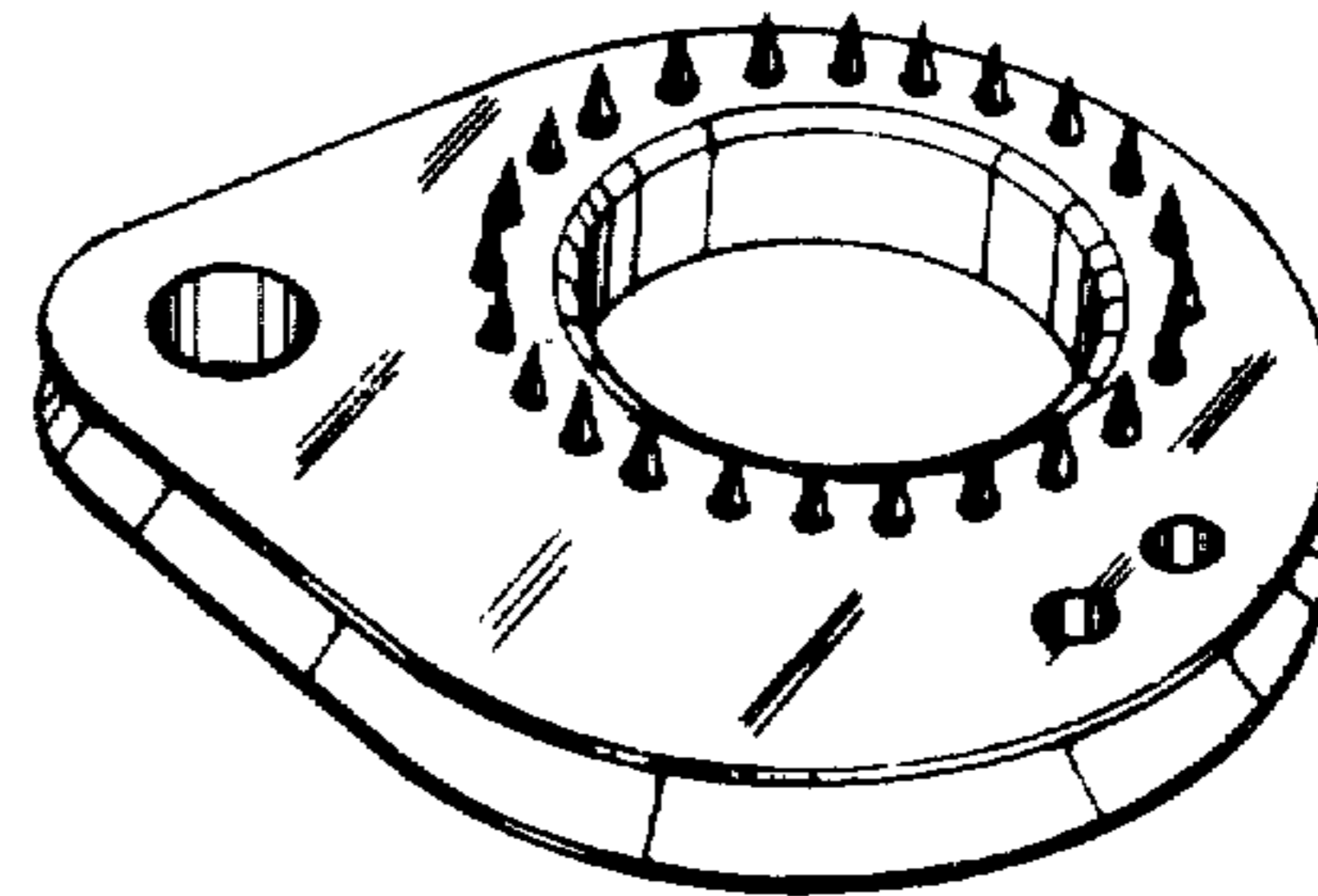
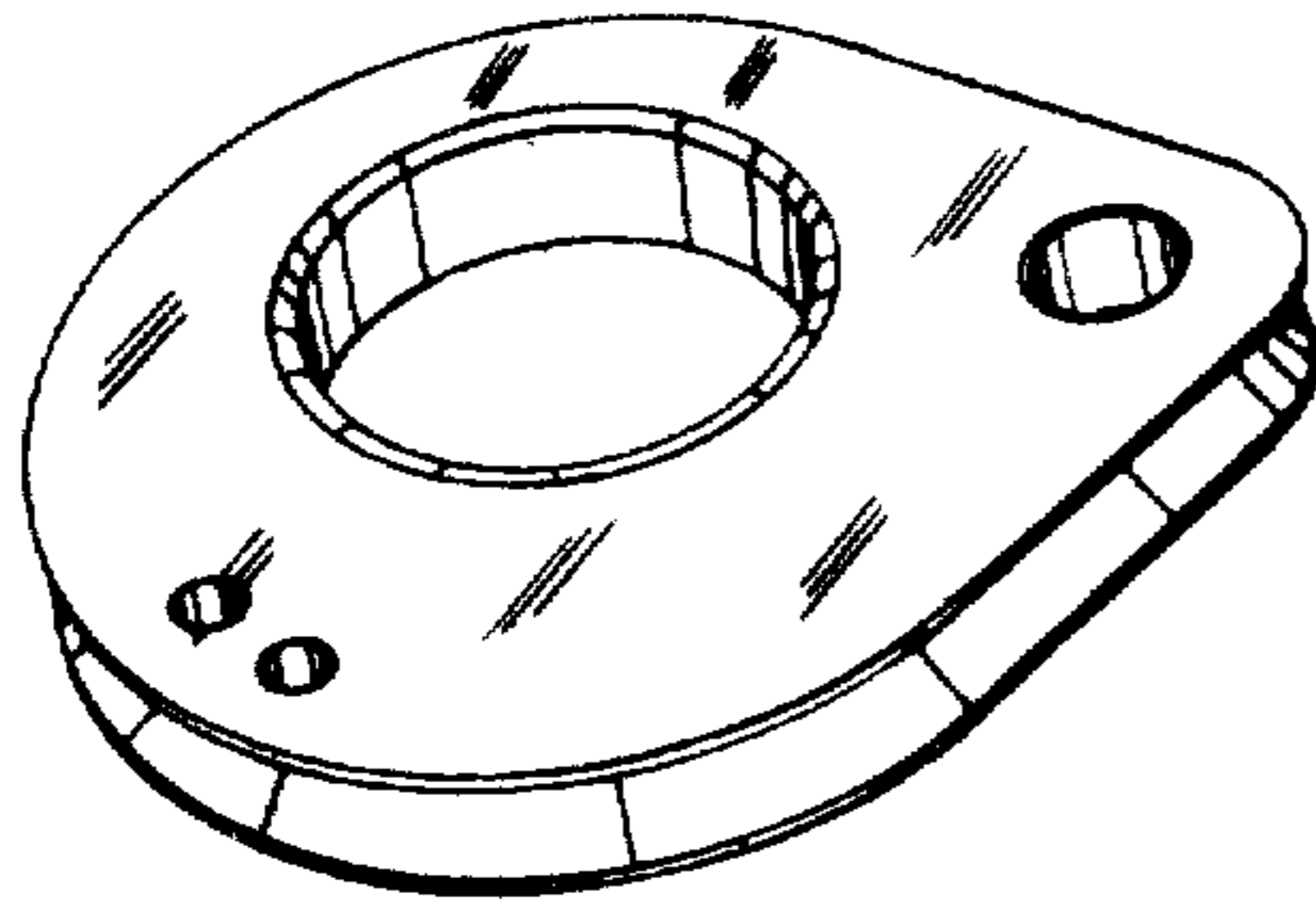


FIG. 1

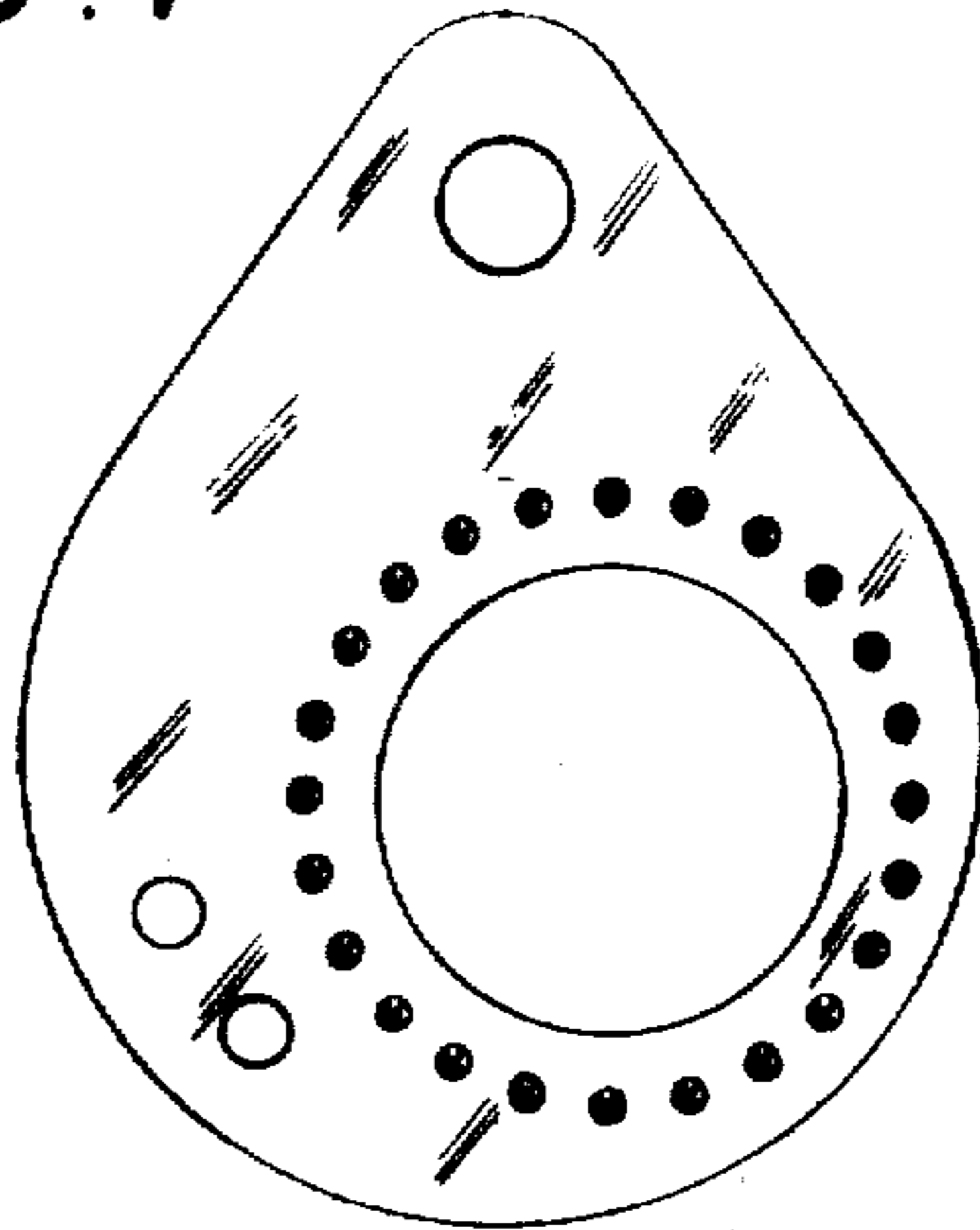


FIG. 2

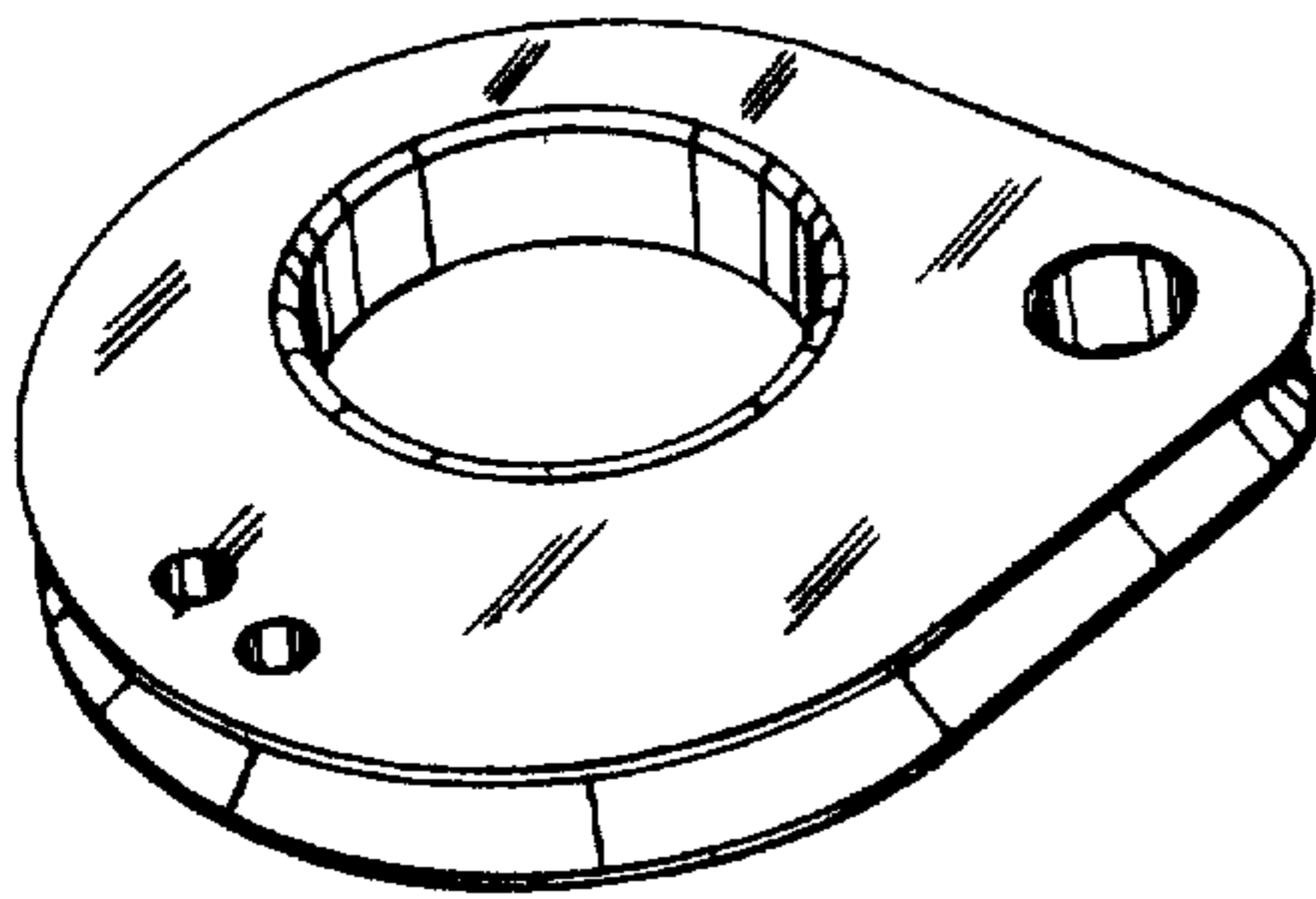


FIG. 3

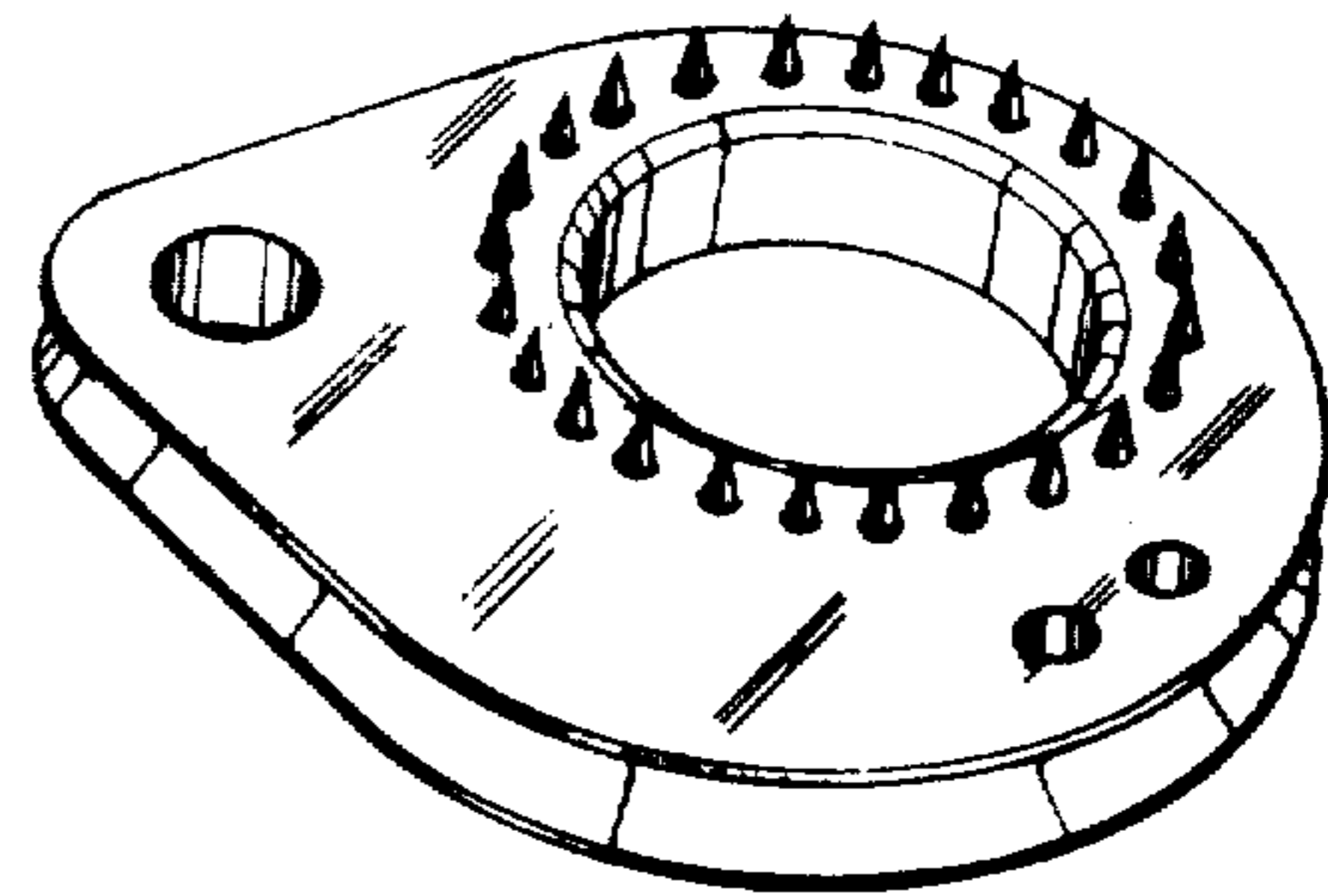


FIG. 4

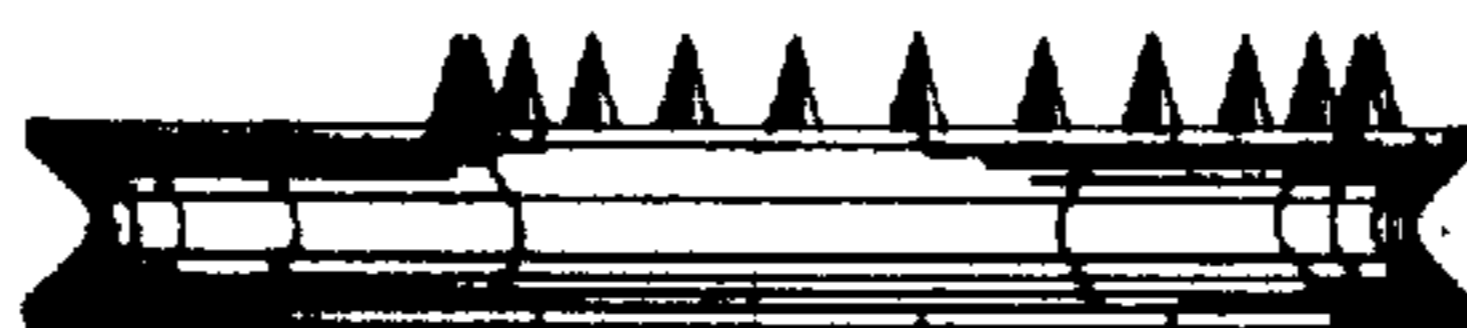


FIG. 5



FIG. 6

