

- [54] **THIMBLE FOR A ROPE**
- [76] Inventor: **Bengt Johansson**, Kullavägen 7,  
Sjömarken, Sweden, 510 41
- [\*\*] Term: **14 Years**
- [21] Appl. No.: **271,688**
- [22] Filed: **Jun. 8, 1981**
- [30] **Foreign Application Priority Data**  
Dec. 9, 1980 [GB] United Kingdom ..... 997977
- [51] Int. Cl. .... **D08-08**
- [52] U.S. Cl. .... **D8/367; D8/356**
- [58] Field of Search ..... **D8/356, 360, 367, 382;**  
**D12/303; 114/114, 115; 403/210, 342**
- [56] **References Cited**  
**U.S. PATENT DOCUMENTS**  
42,817 5/1864 Carroll ..... 403/210

139,230 5/1873 Bell ..... 403/210  
D. 249,326 9/1978 Jöhanson ..... D8/367

**FOREIGN PATENT DOCUMENTS**

873470 4/1953 Fed. Rep. of Germany ..... 403/210  
492683 3/1919 France ..... 114/115

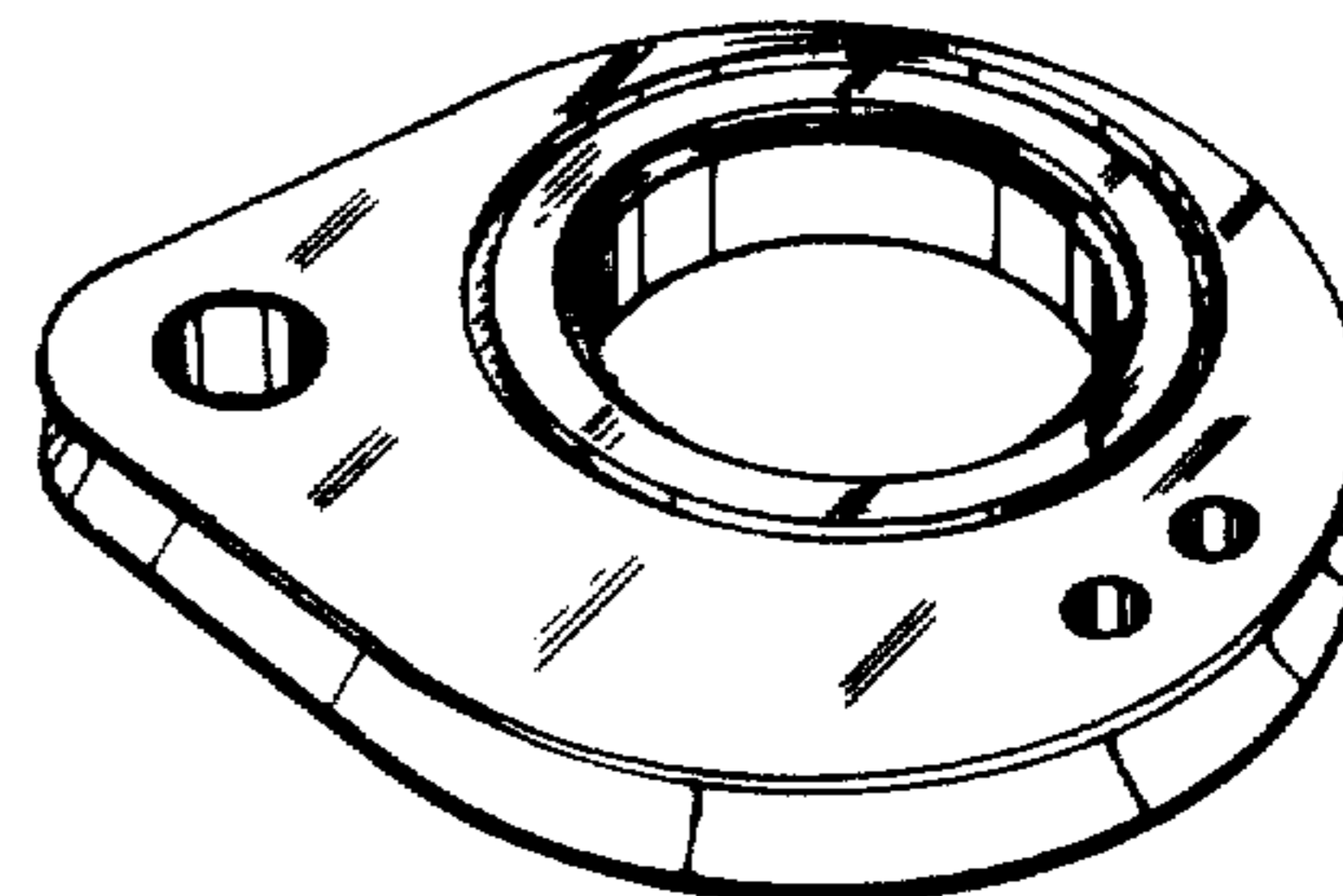
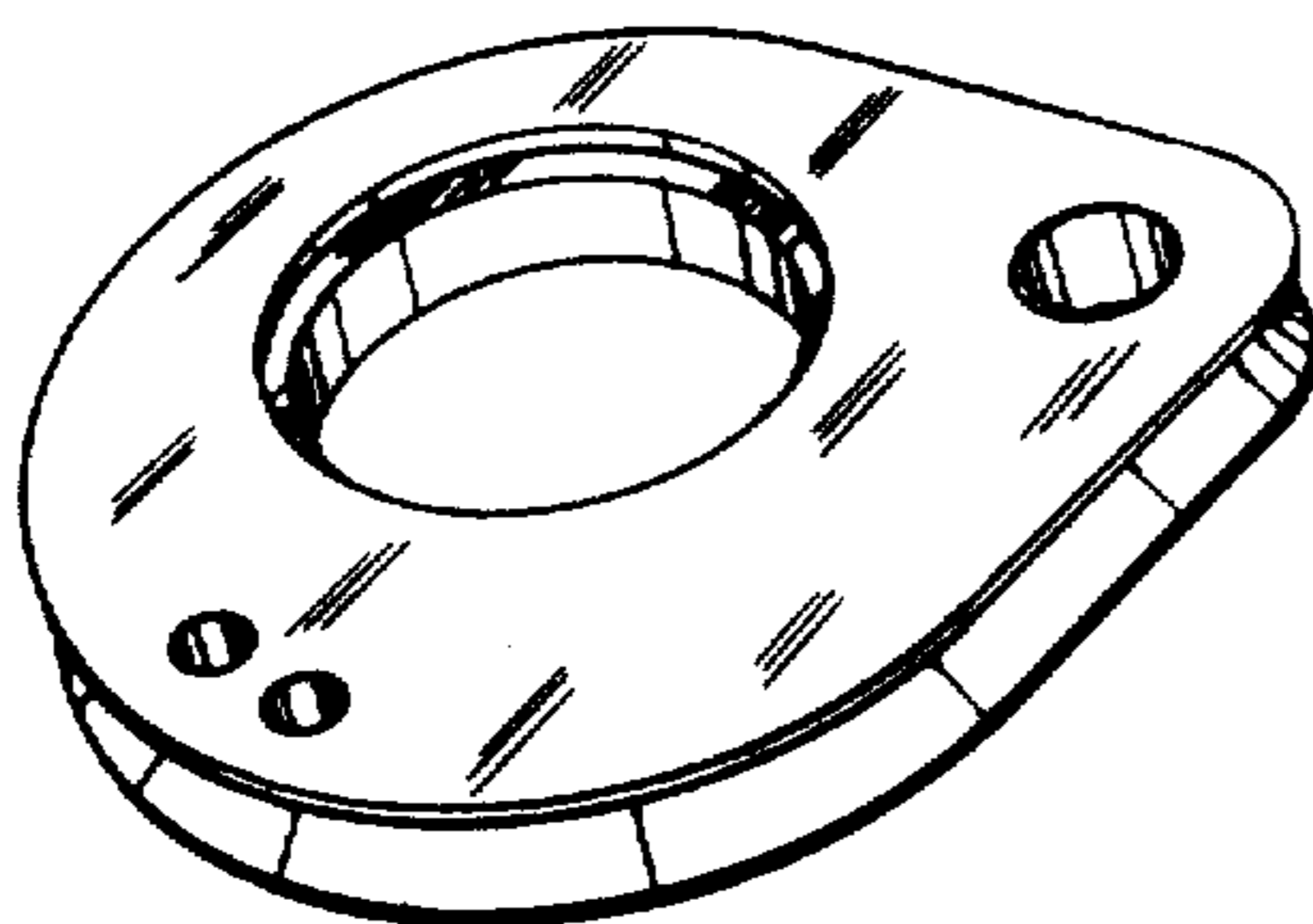
*Primary Examiner*—Joel Stearman  
*Assistant Examiner*—Carmen H. Vales  
*Attorney, Agent, or Firm*—Holman & Stern

[57] **CLAIM**

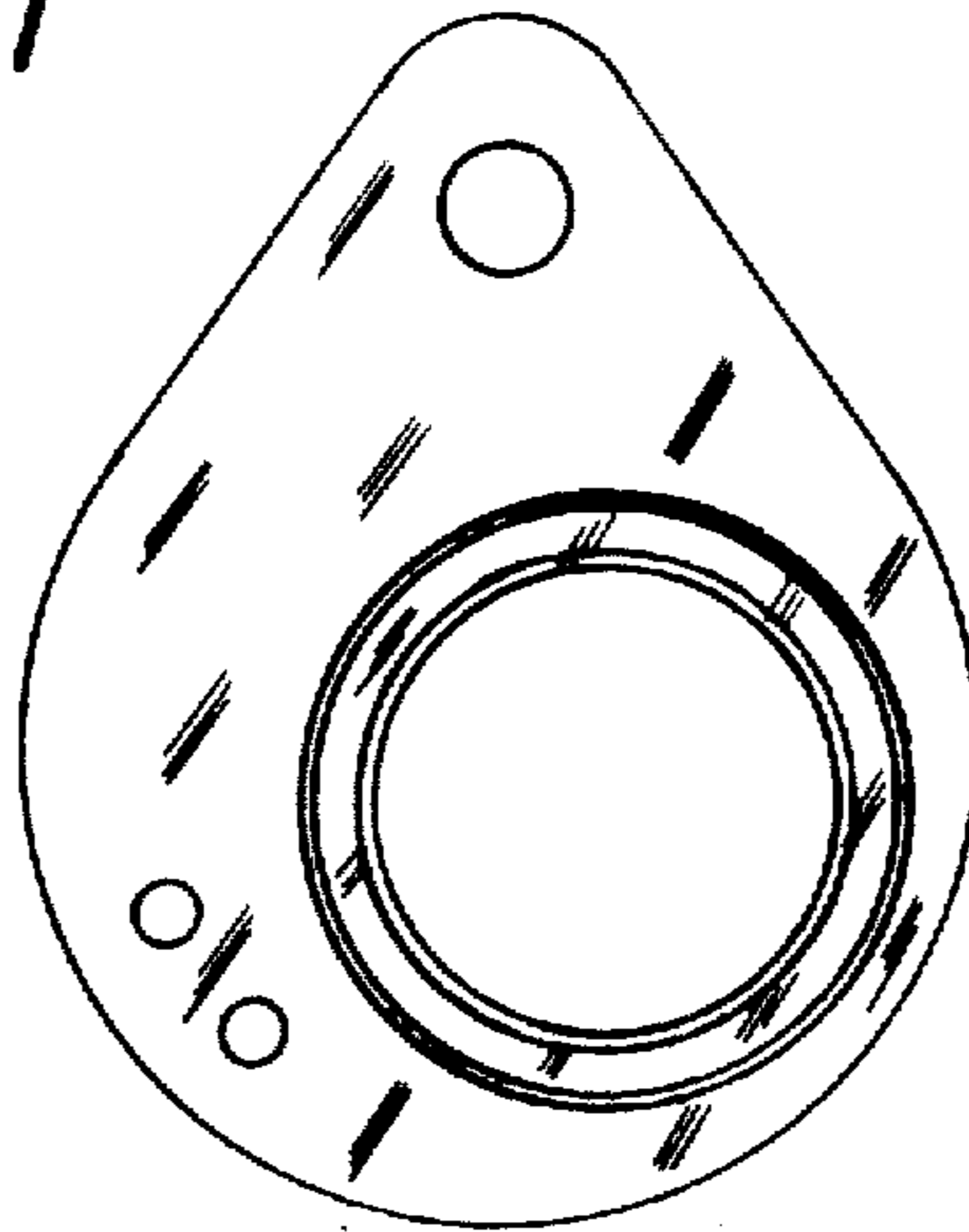
The ornamental design for a thimble for a rope, as shown and described.

**DESCRIPTION**

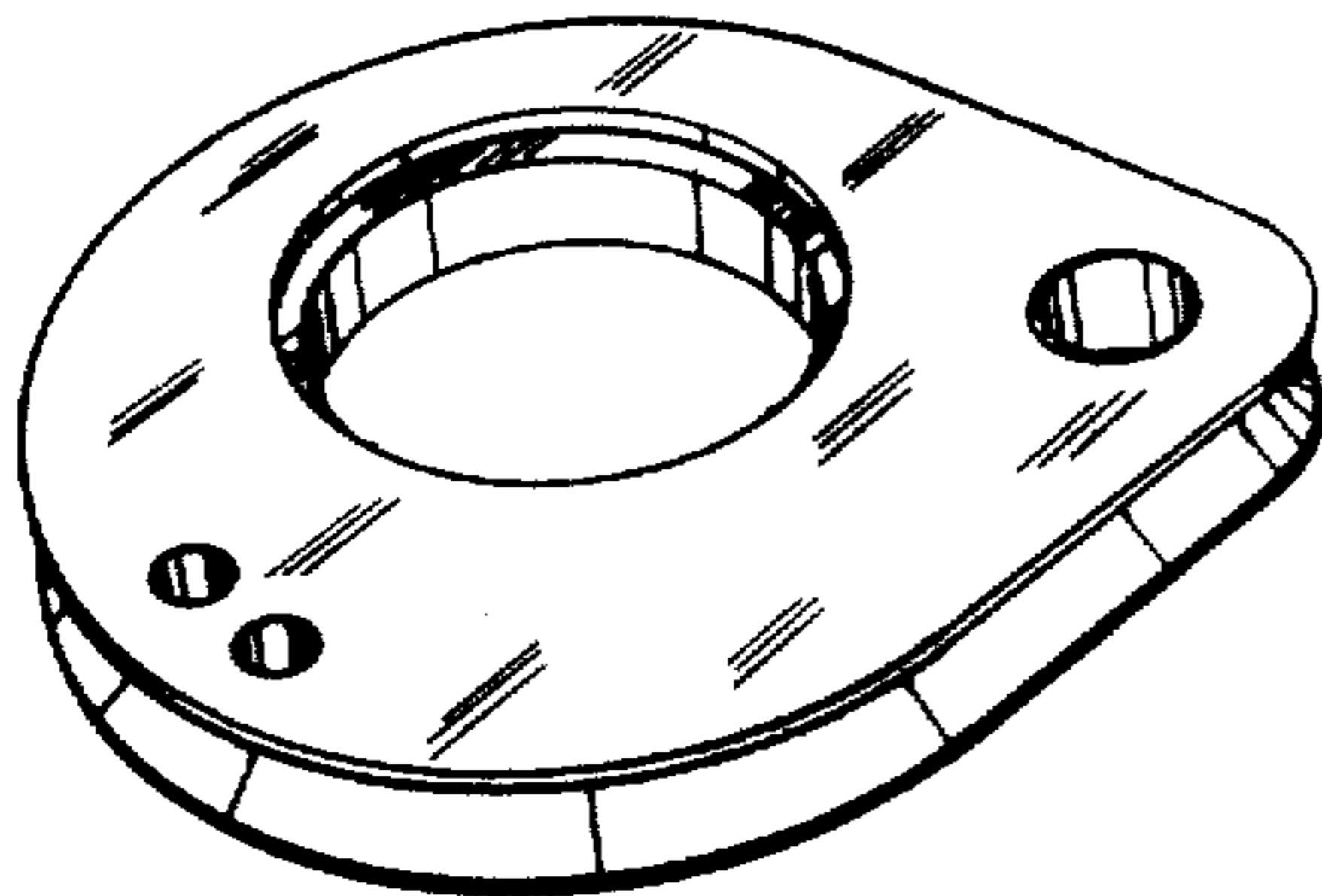
FIG. 1 is a front elevational view of a thimble for a rope showing my new design;  
FIG. 2 is a rear perspective view thereof;  
FIG. 3 is a front perspective view thereof;  
FIG. 4 is a side elevational view thereof; and  
FIG. 5 is a top plan view thereof.



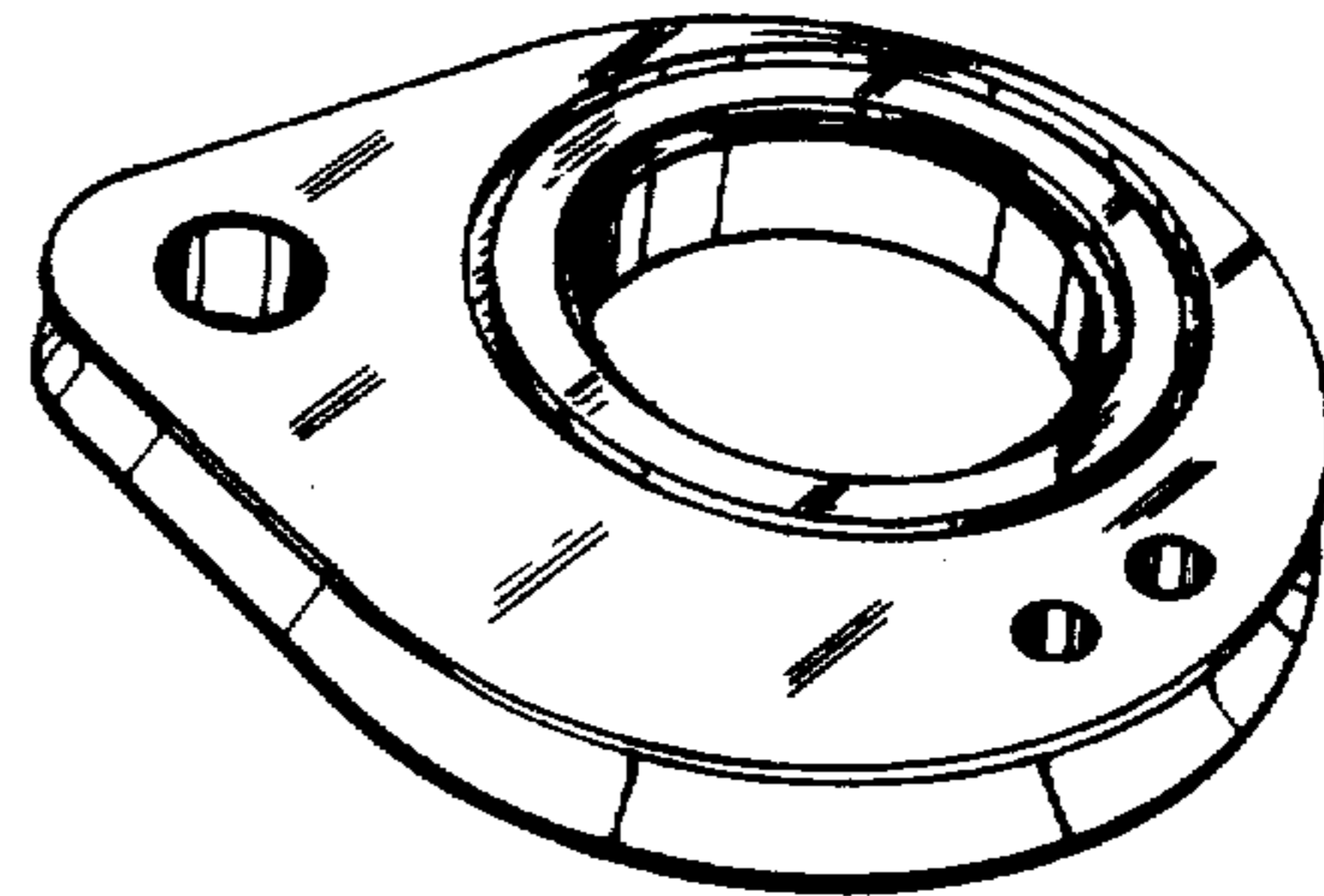
**FIG. 1**



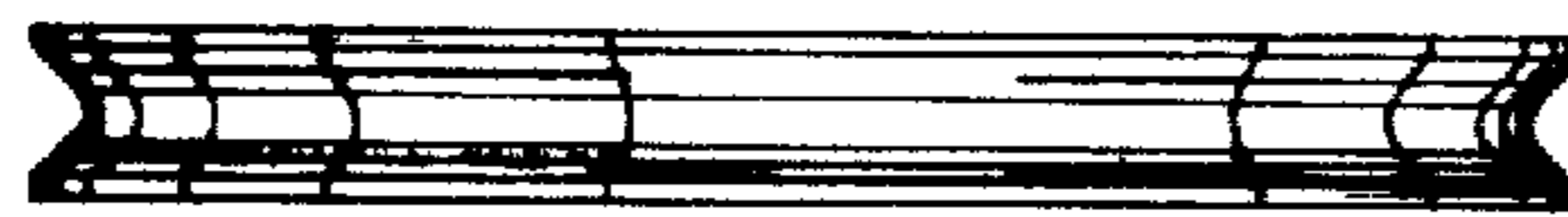
**FIG. 2**



**FIG. 3**



**FIG. 4**



**FIG. 5**

