

[54] MOUNTING TOOL FOR WALL EXPANSION ANCHORS

[75] Inventor: Jan B. H. Ekener, Täby, Sweden

[73] Assignee: Jan Ekener AB, Stockholm, Sweden

[**] Term: 14 Years

[21] Appl. No.: 215,466

[22] Filed: Dec. 11, 1980

[30] Foreign Application Priority Data

Jun. 18, 1980 [DE] Fed. Rep. of Germany URA 649/80

[51] Int. Cl. D8-05

[52] U.S. Cl. D8/52

[58] Field of Search D8/52, 51; 72/391, 114

[56] References Cited

U.S. PATENT DOCUMENTS

D. 256,327	8/1980	Ewig et al.	D8/51
3,003,657	10/1961	Siebol et al.	72/391
3,100,578	8/1963	Holverson et al.	72/391
3,768,297	10/1973	Martin	72/391
4,037,448	7/1977	Di Maio et al.	72/391
4,147,047	4/1979	Fluester	72/391

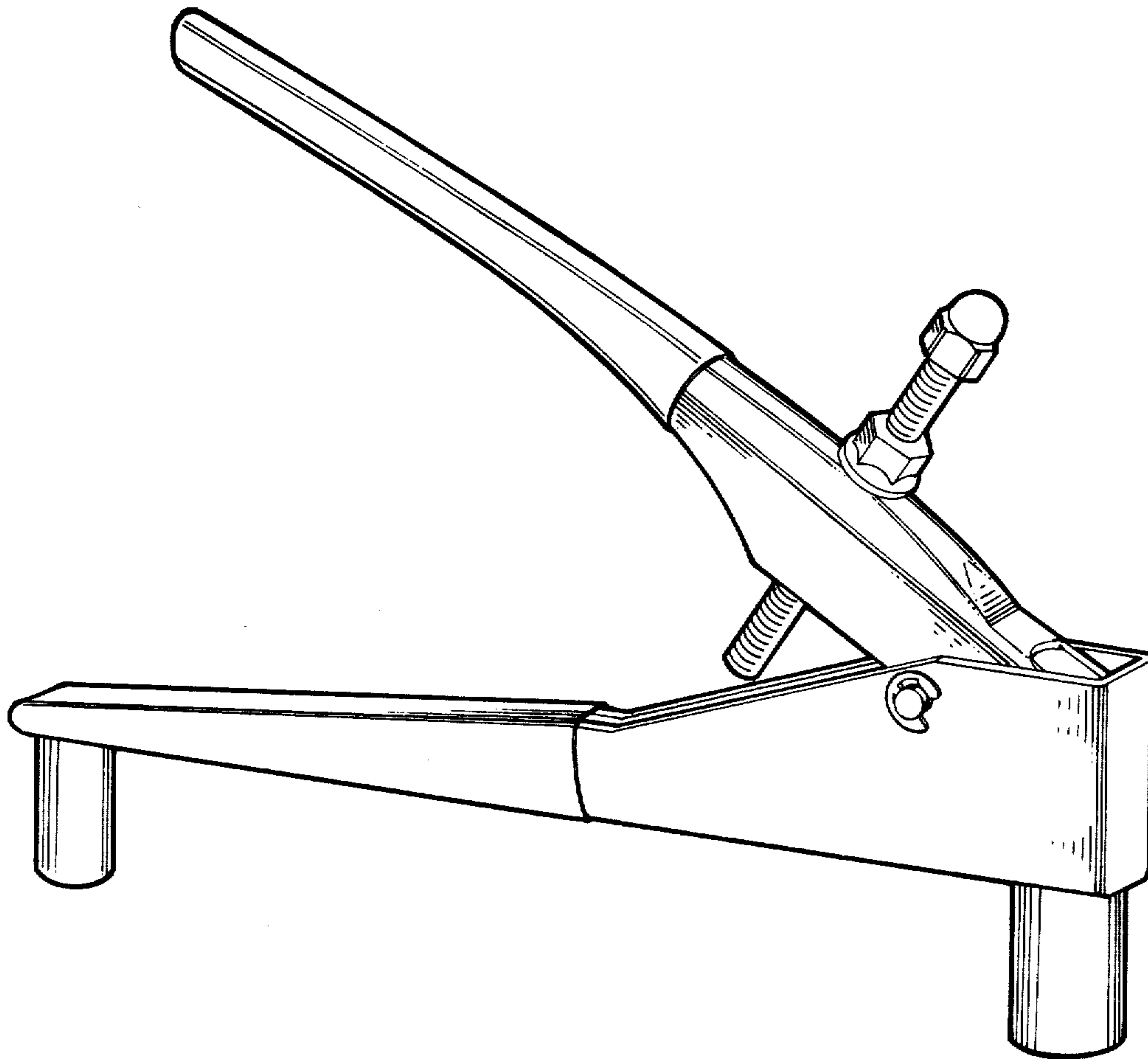
Primary Examiner—Wallace R. Burke
Assistant Examiner—Horace B. Fay, Jr.
Attorney, Agent, or Firm—Sughrue, Mion, Zinn, Macpeak and Seas

[57] CLAIM

The ornamental design for mounting tool for wall expansion anchors, as shown.

DESCRIPTION

FIG. 1 shows a perspective view illustrating the bottom, rear and one side of a tool for wall expansion anchors according to the present invention, and FIG. 2 shows a perspective view illustrating the top, front and other side thereof.



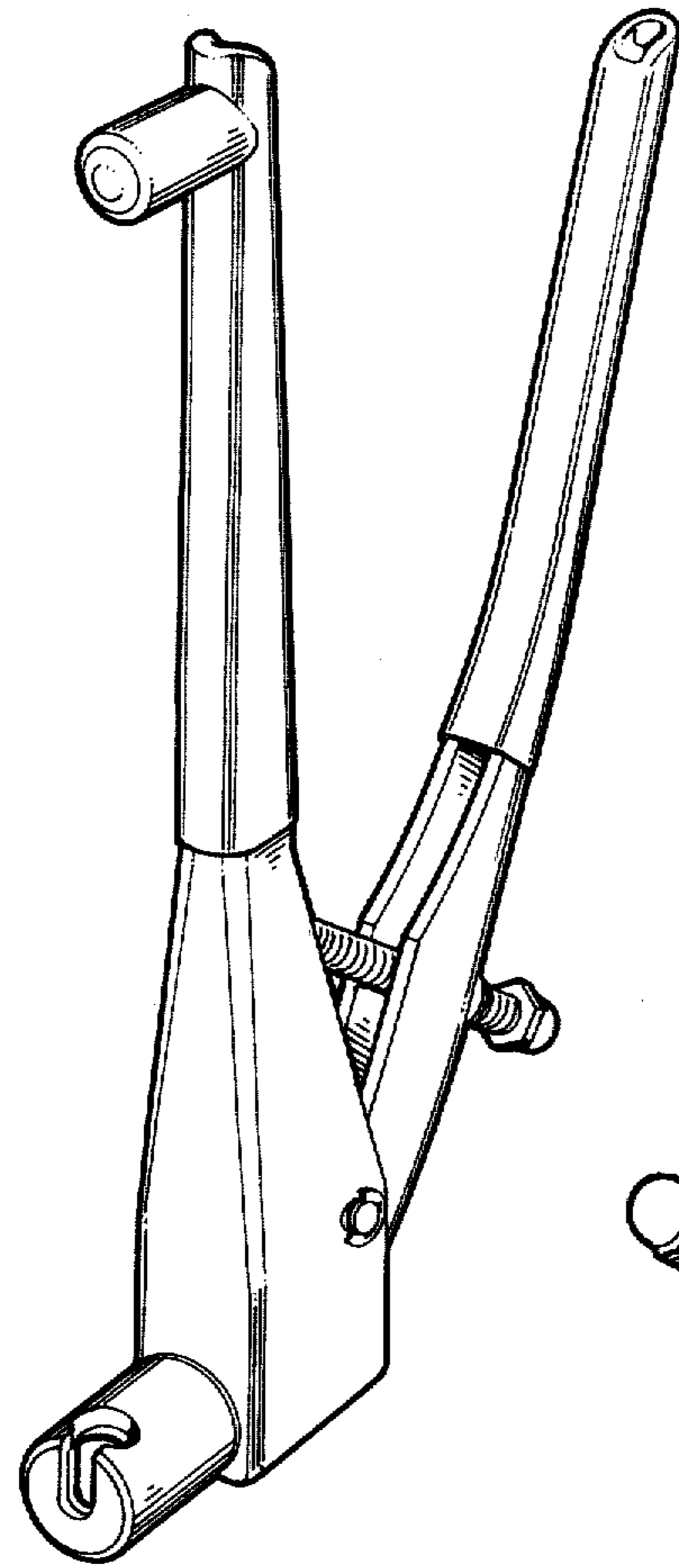


FIG. 1

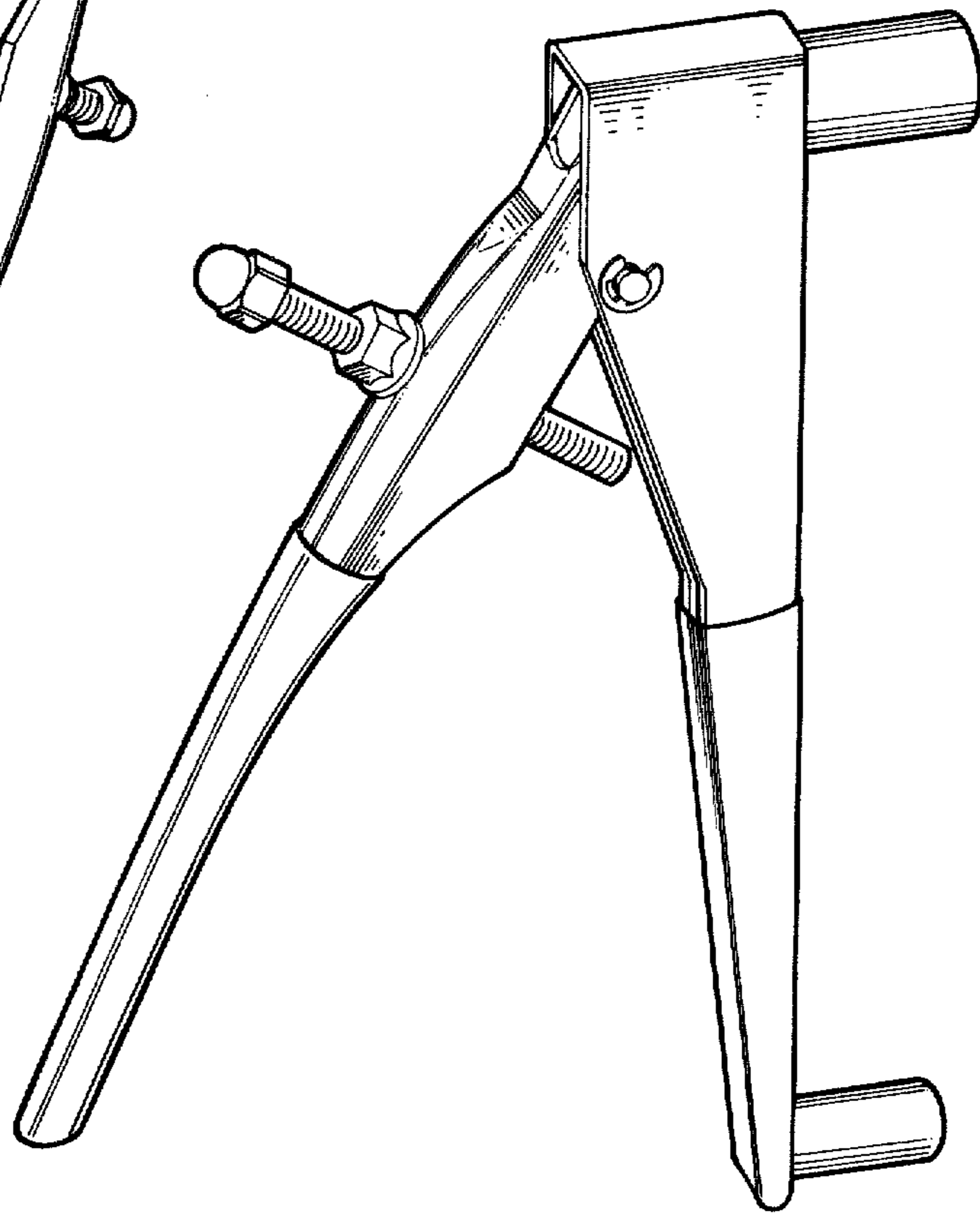


FIG. 2