

[54] **GARDEN SHEARS**

[75] **Inventor:** Alan K. Pittaway, High Wycombe, England

[73] **Assignee:** Wilkinson Sword, Limited, England

[\*\*] **Term:** 14 Years

[21] **Appl. No.:** 287,604

[22] **Filed:** Jul. 28, 1981

[30] **Foreign Application Priority Data**

Jan. 31, 1981 [GB] United Kingdom ..... 998684  
 Jan. 31, 1981 [GB] United Kingdom ..... 998685

[51] **Int. Cl.** ..... D8-03

[52] **U.S. Cl.** ..... D8/5

[58] **Field of Search** ..... D8/5, 57; 30/57, 254, 30/257, 341, 194, 253

[56] **References Cited**

**U.S. PATENT DOCUMENTS**

D. 192,750 5/1962 Madeira ..... D8/55  
 D. 198,911 8/1964 Rogers ..... D8/5  
 D. 206,483 12/1966 Sharp ..... D8/5  
 D. 231,311 4/1974 Rogers ..... D8/5  
 D. 258,040 1/1981 Irelan ..... D8/5

**FOREIGN PATENT DOCUMENTS**

182973 3/1907 Fed. Rep. of Germany ..... 30/257  
 756935 9/1956 United Kingdom ..... 30/254  
 899671 6/1962 United Kingdom ..... D8/5

**OTHER PUBLICATIONS**

Seymour Smith & Sons, Inc., 1969-1970 Catalog & Price List/Consumer Snap-Cut Hedge Shears, pp. 8, 9-70.

Wilkinson Sword Brochure, Illustrations of (1) Notched Shear and (2) Sword Shear, p. 1 (Open condition).

*Primary Examiner*—Wallace R. Burke

*Assistant Examiner*—Horace B. Fay, Jr.

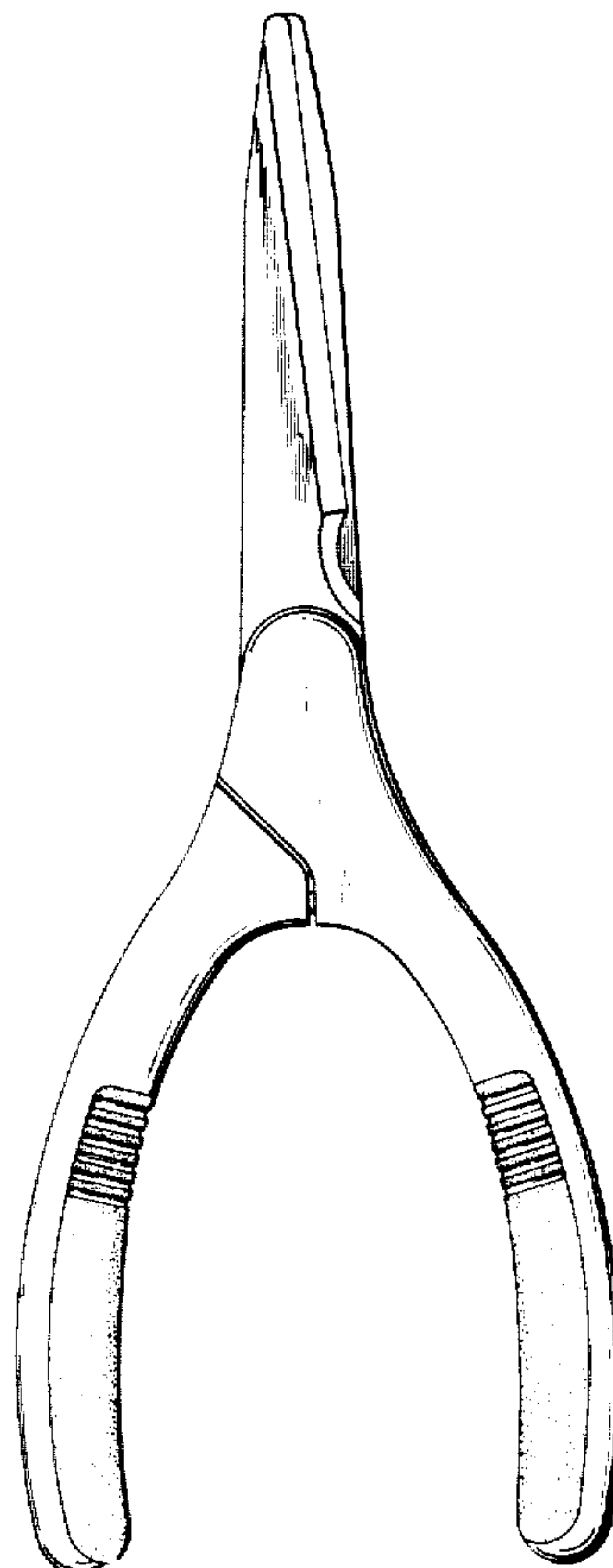
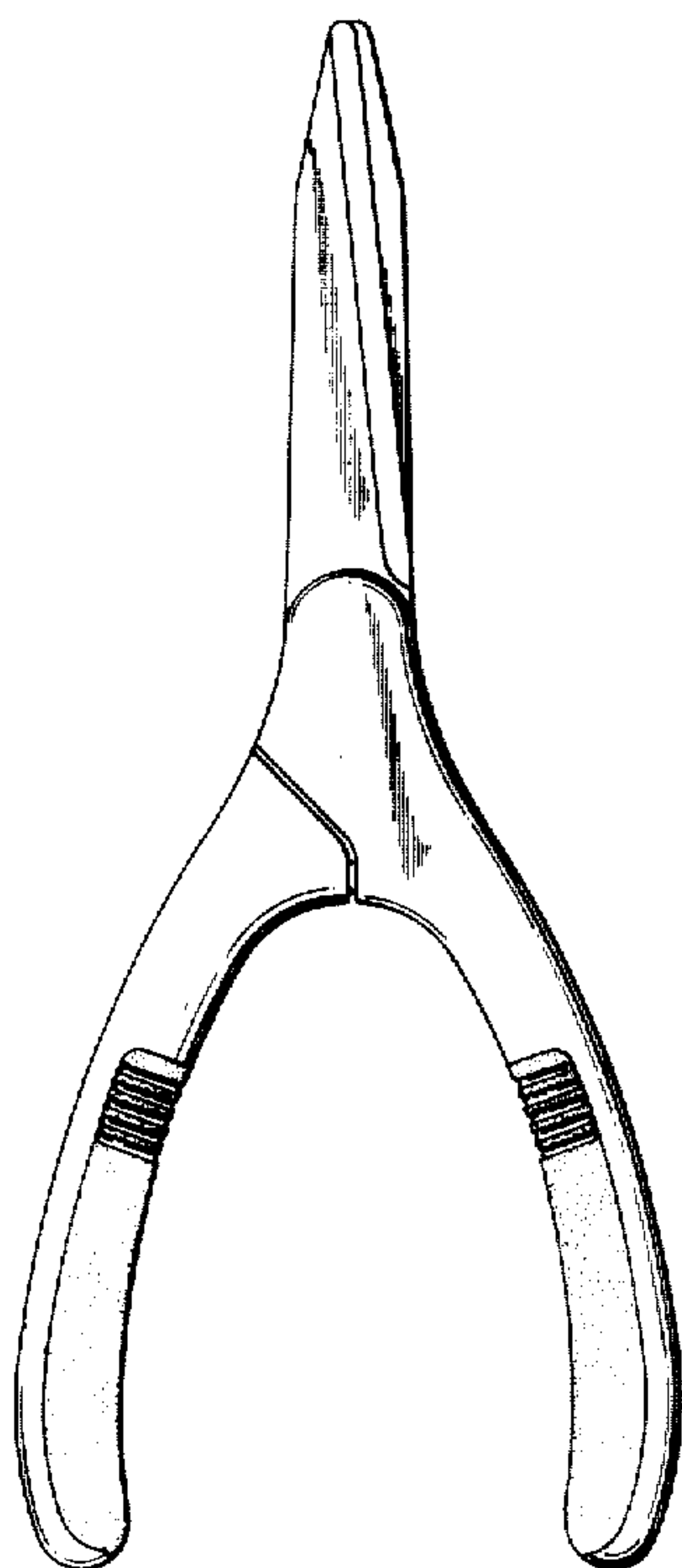
*Attorney, Agent, or Firm*—John K. Williamson

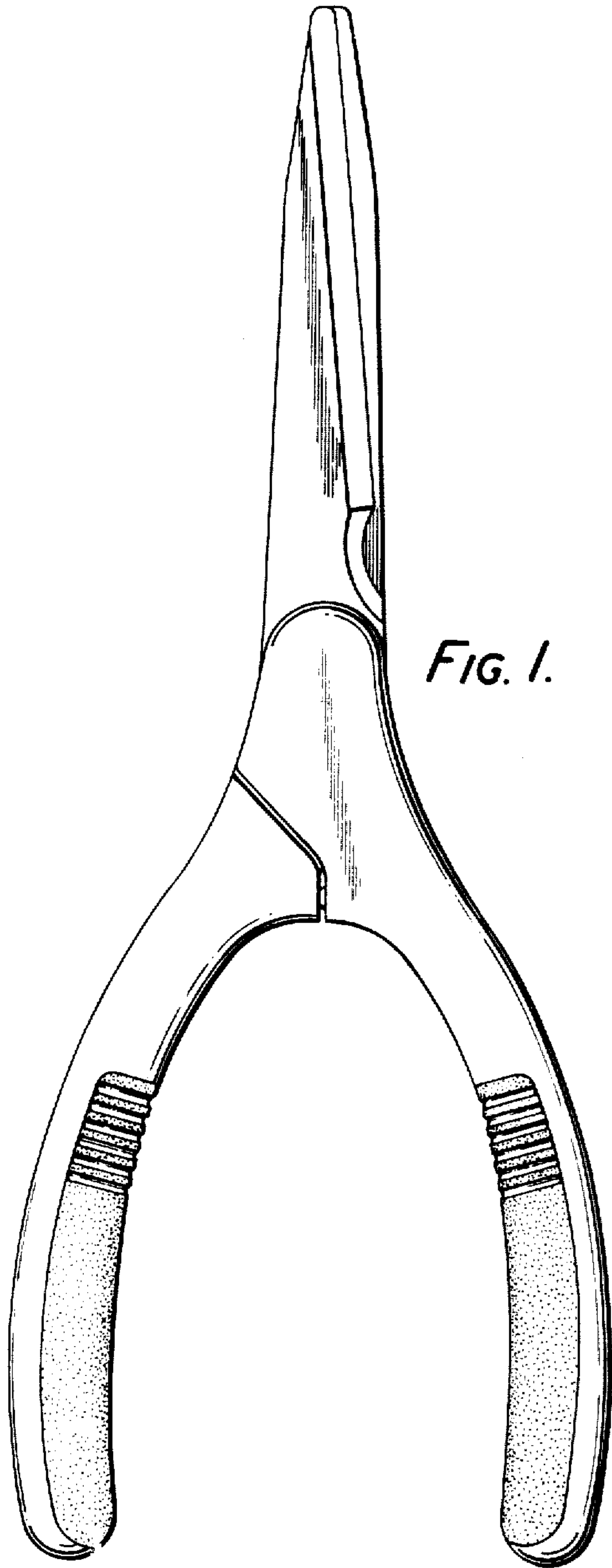
[57] **CLAIM**

The ornamental design for garden shears, as shown.

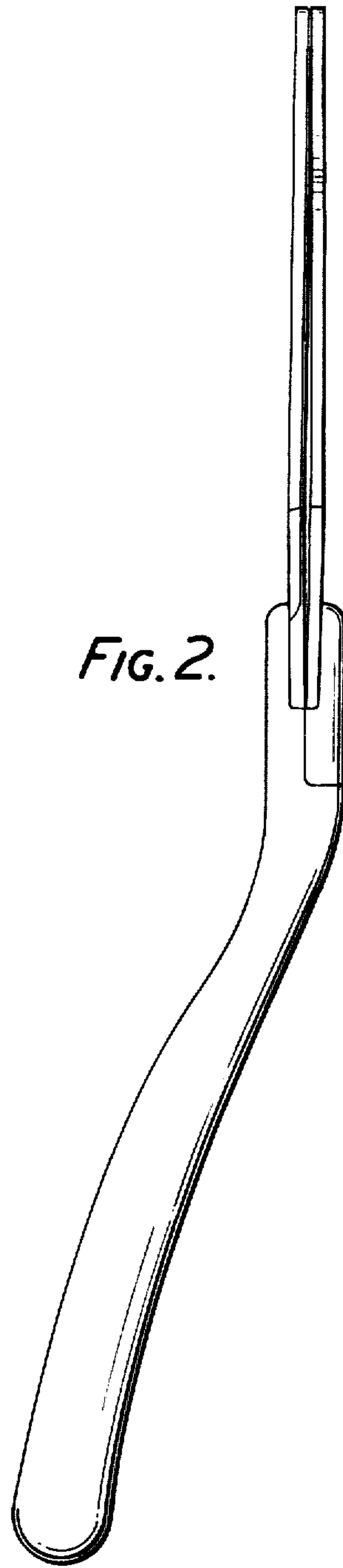
**DESCRIPTION**

FIG. 1 is a plan view of garden shears showing my design;  
 FIG. 2 is a side elevation of the shears of FIG. 1;  
 FIG. 3 is an underneath view of the shears of FIG. 1;  
 FIG. 4 is a front elevation of the shears of FIG. 1;  
 FIG. 5 is a rear elevation of the shears of FIG. 1, and  
 FIGS. 6 through 10 are views similar to those of FIGS. 1 through 5 respectively showing a second representation of the design.

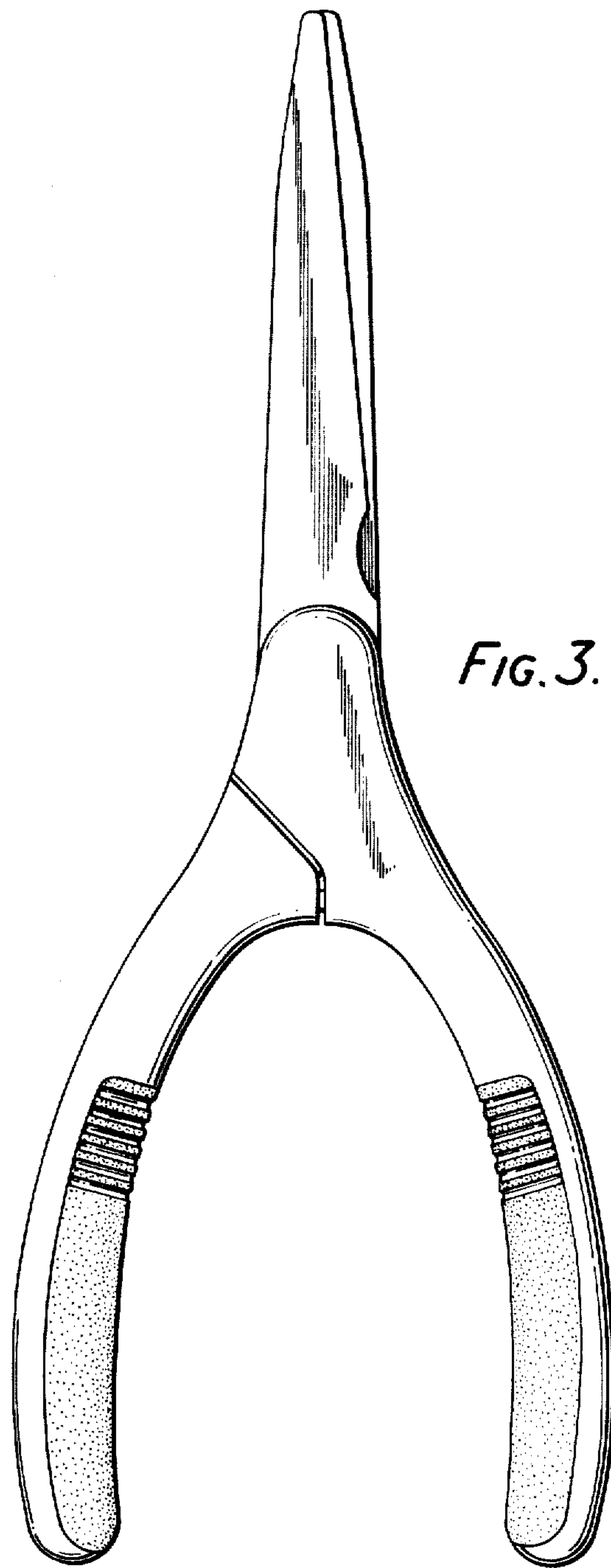


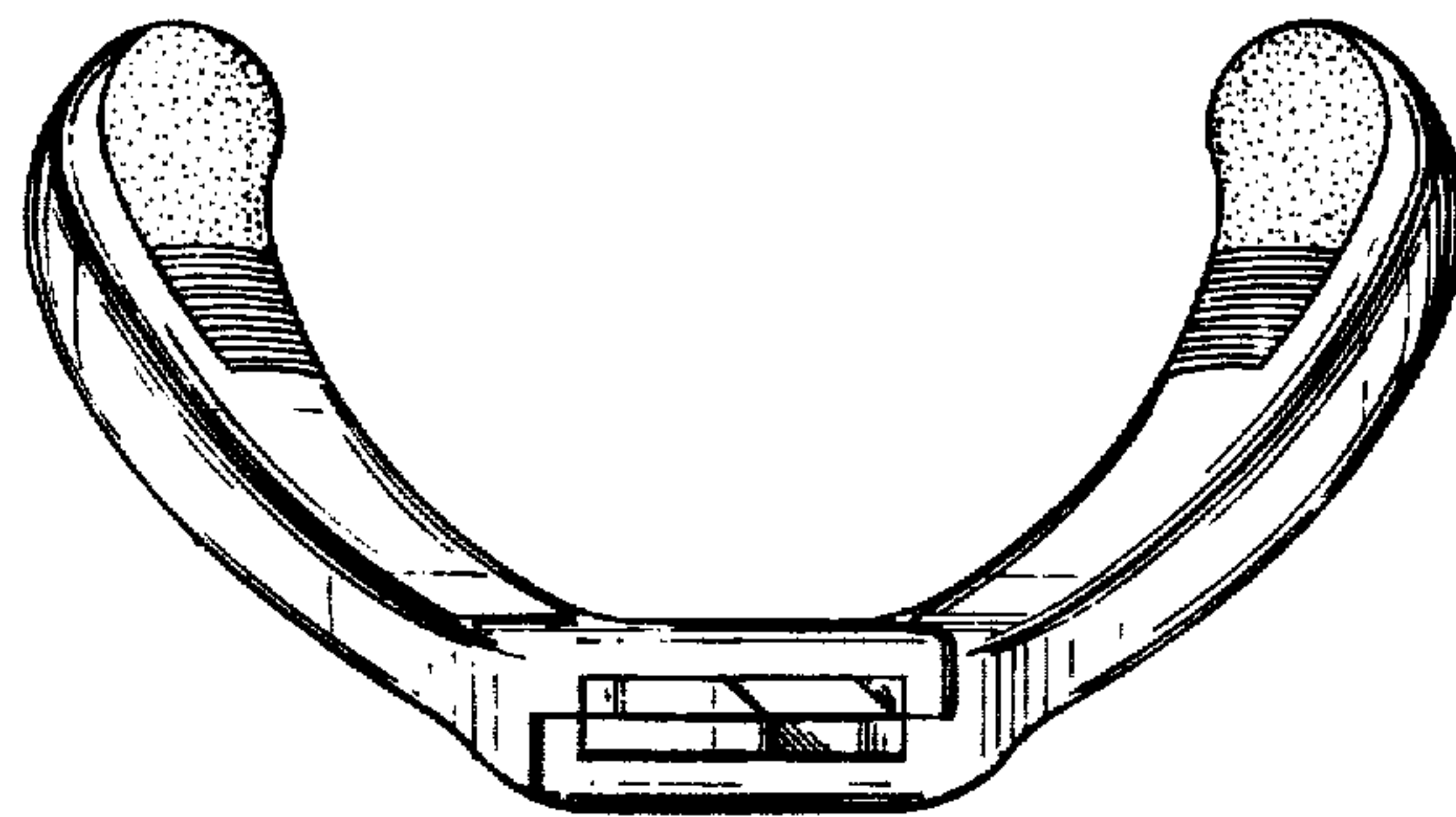


*FIG. 1.*

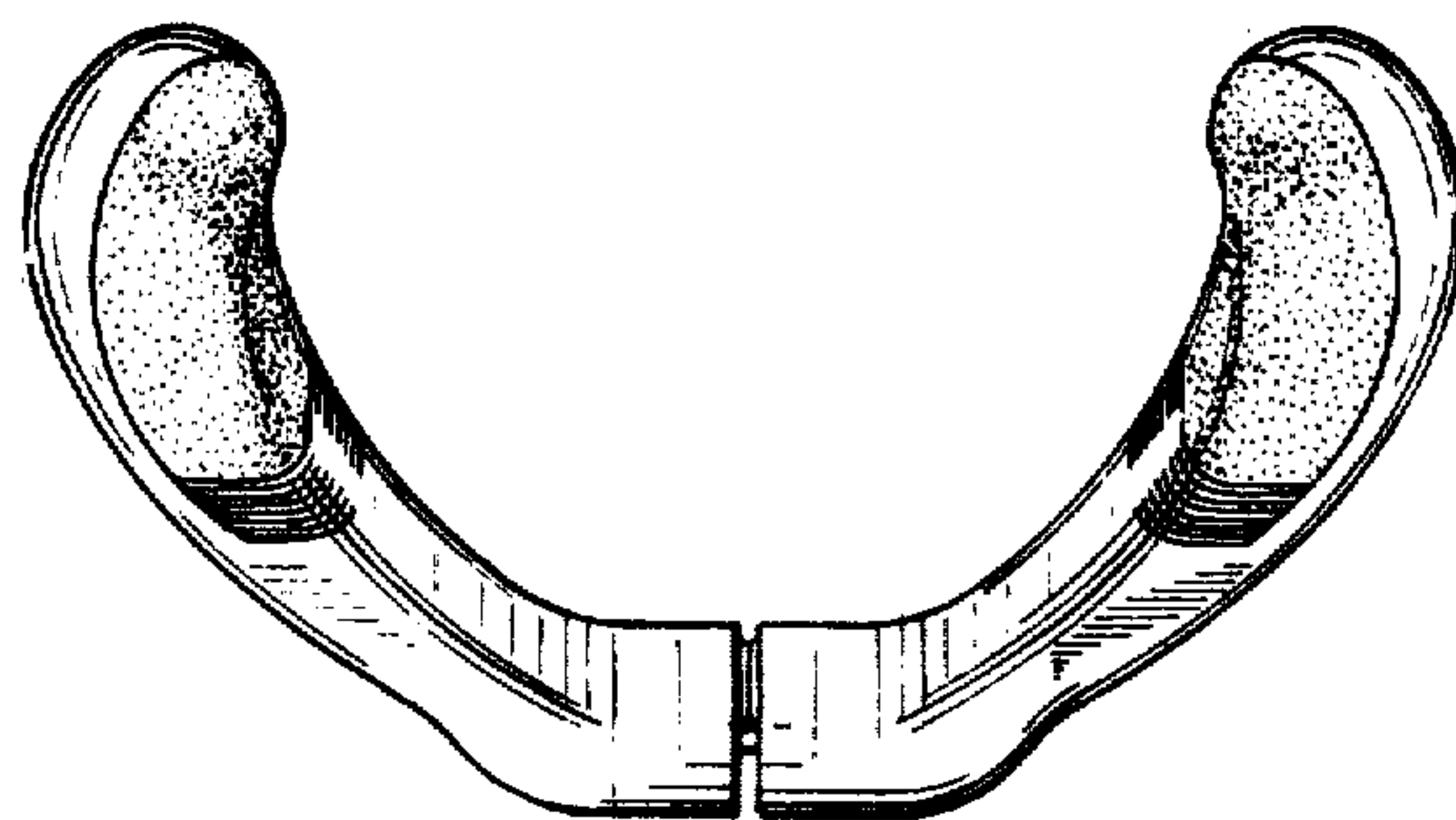


*FIG. 2.*





*FIG. 4.*



*FIG. 5.*

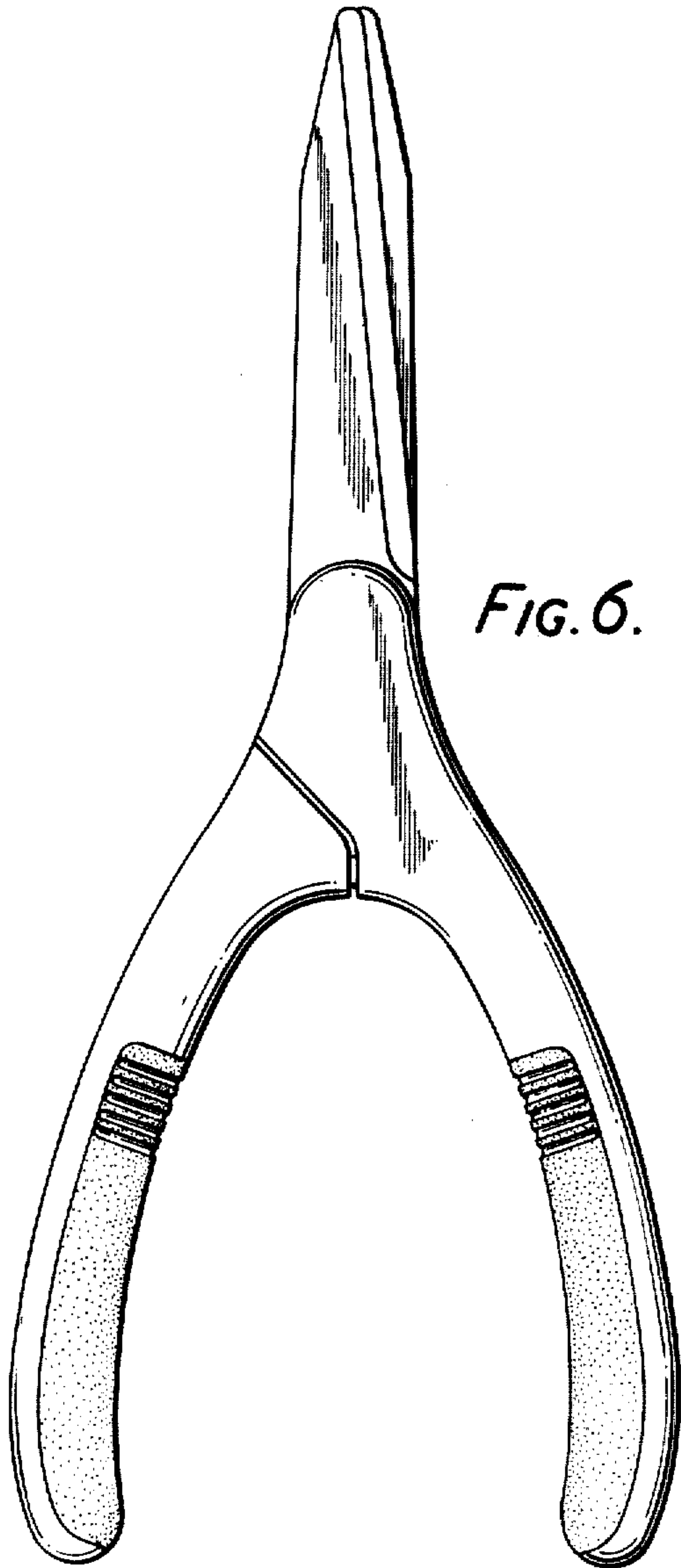


FIG. 6.

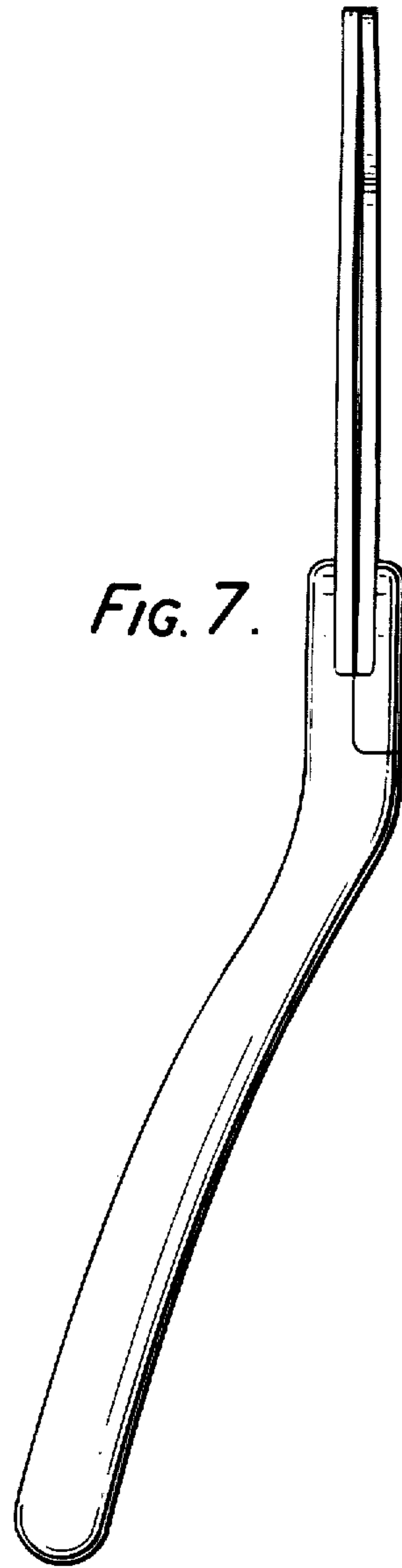
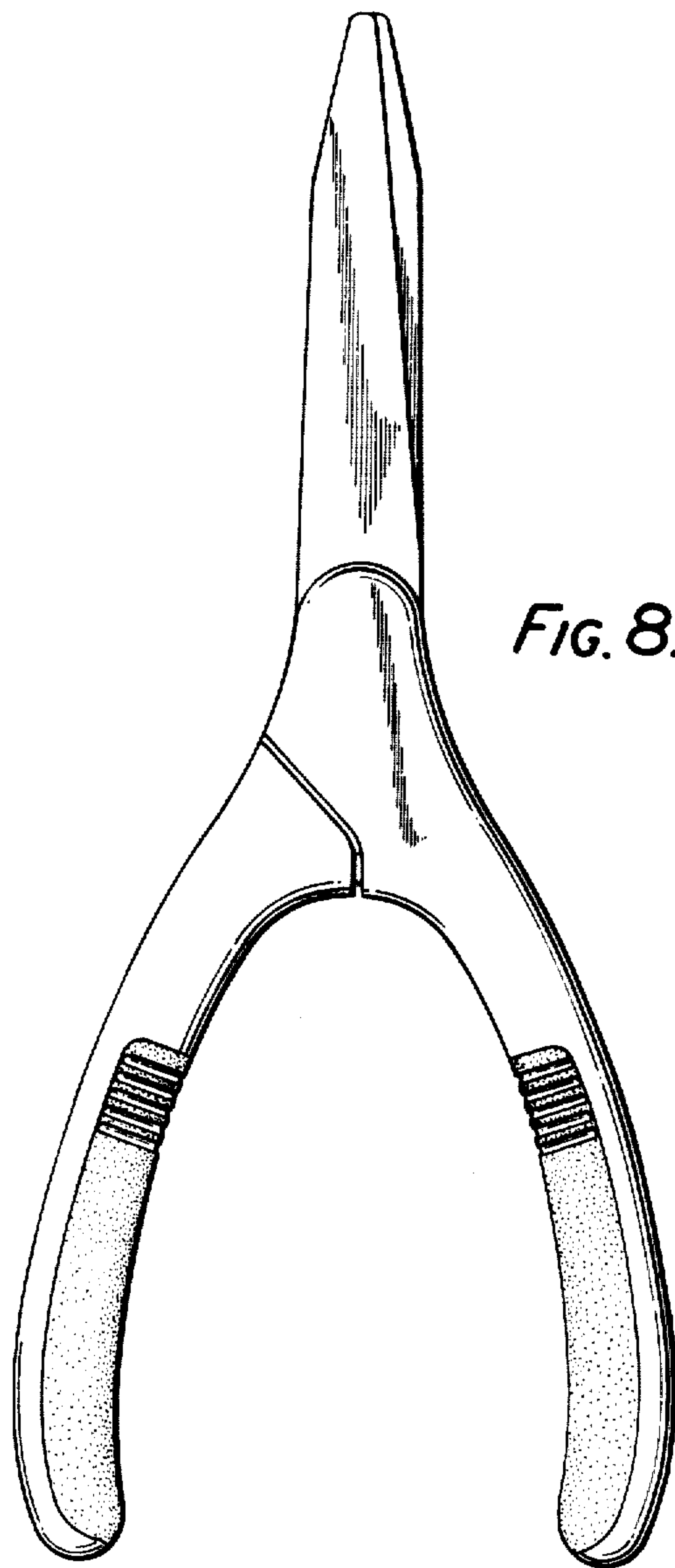
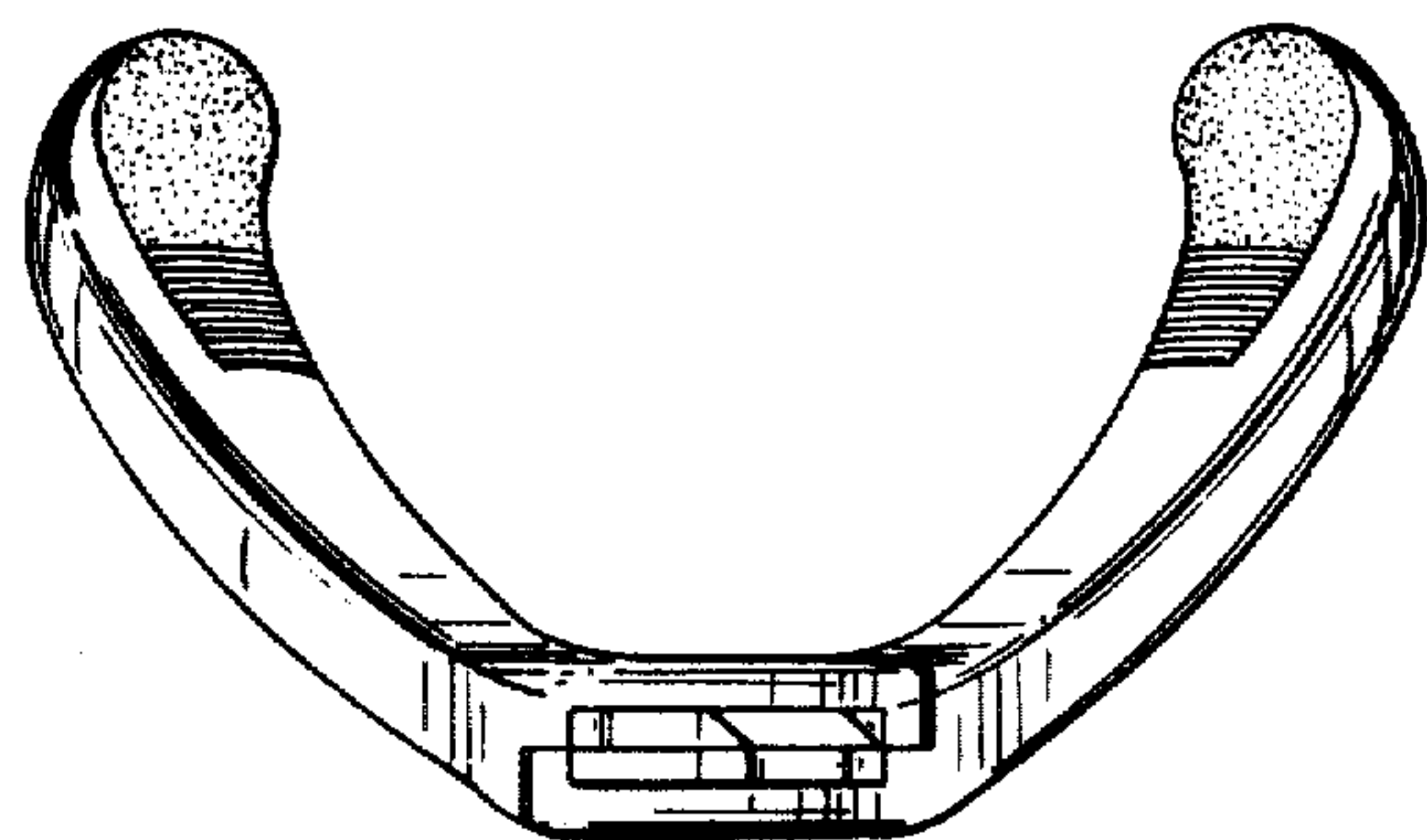


FIG. 7.

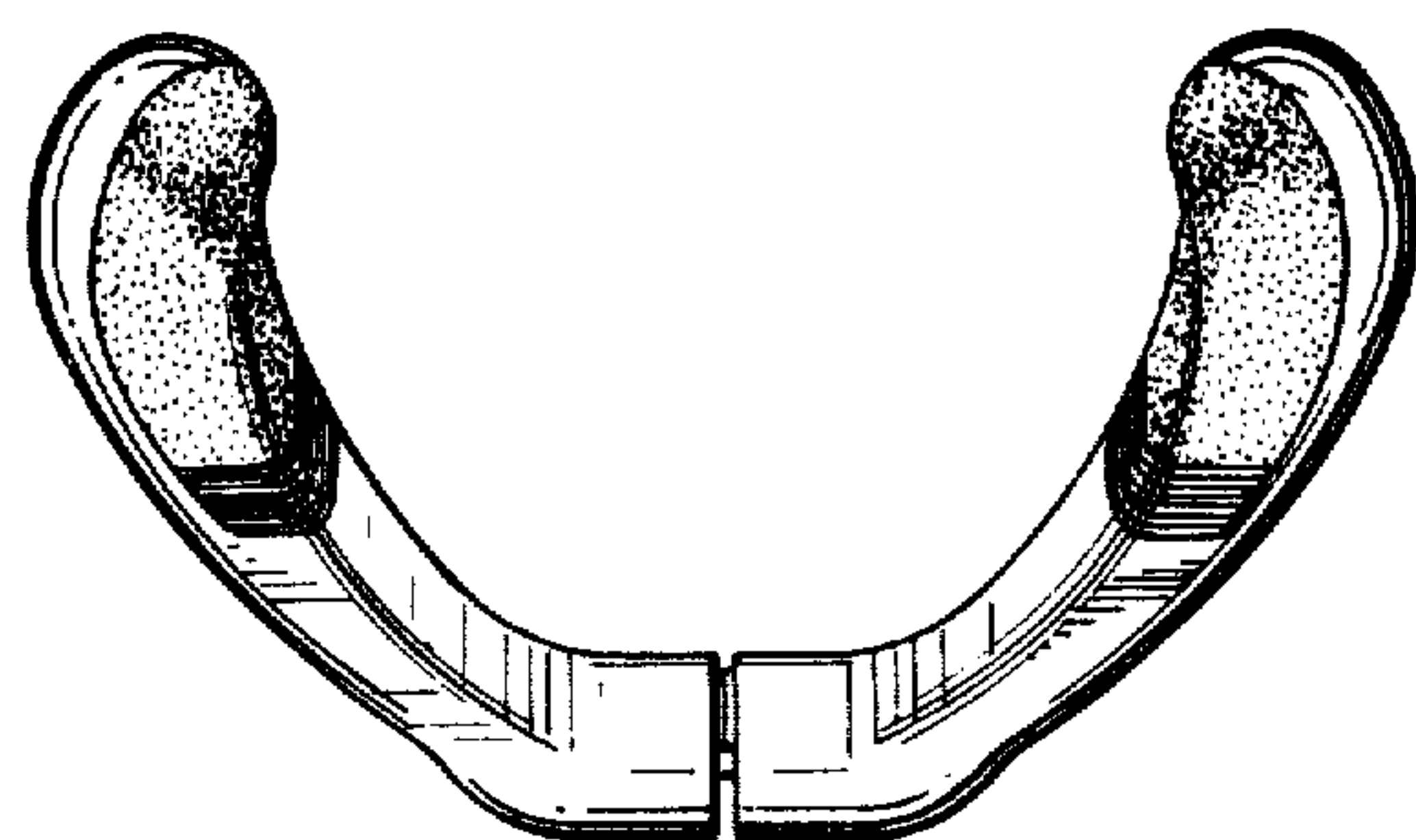


*FIG. 8.*





*FIG. 9.*



*FIG. 10.*