

[54] **INSULATED CONTAINER**

[75] Inventor: **Craig Ruxton**, Harris County, Tex.

[73] Assignee: **Igloo Corporation**, Houston, Tex.

[*] Notice: The portion of the term of this patent subsequent to May 17, 1997, has been disclaimed.

[**] Term: **14 Years**

[21] Appl. No.: **186,054**

[22] Filed: **Sep. 10, 1980**

[51] Int. Cl. **D07-07**

[52] U.S. Cl. **D7/77**

[58] Field of Search **D7/76, 77, 78, 131, D7/132; D3/30.1, 73, 74; D34/43, 40, 44, 45, 46**

[56] **References Cited**

U.S. PATENT DOCUMENTS

D. 195,104	4/1963	Piker	D7/77
D. 197,314	1/1964	Gottsegen	D7/77
D. 239,249	3/1976	Branscum	D7/77
D. 257,934	1/1981	Buss	D7/77 X
3,401,535	9/1968	Palmer	D7/77 X
3,791,547	2/1974	Branscum	D7/77 X
3,987,829	10/1976	Leone	D34/43 X

OTHER PUBLICATIONS

Best Products 1980 Buyer's Book, p. 399, Item M, bottom

row, 2nd from right, Coleman "Oscar" 4-Gal. Cooler, Reversible Lid.

Product Brochure of Coleman (1982), p. 9, "Oscar® and Family"-Roundabout, Lil Oscar, 3 panels at left.

Best Products 1980 Buyer's Book, p. 399, Item P, bottom row far right corner, Thermos® Sun Packer, 11 Qt. Cooler, lid flips over to accommodate cans.

Primary Examiner—Winifred E. Herrmann
Attorney, Agent, or Firm—Fulbright & Jaworski

[57] **CLAIM**

The ornamental design for an insulated container, substantially as shown and described.

DESCRIPTION

FIG. 1 is a rear and left-side perspective view of an insulated container showing my new design; FIG. 2 is a front elevational view thereof; FIG. 3 is a side view thereof; FIG. 4 is a bottom view thereof; FIG. 5 is a top plan view thereof; FIG. 6 is a front elevational view of the lid only; FIG. 7 is a bottom plan view of the lid; FIG. 8 is a side view of the lid; FIG. 9 is a sectional view taken along lines 9—9 of FIG. 5; and FIG. 10 is a sectional view taken along lines 10—10 of FIG. 5.

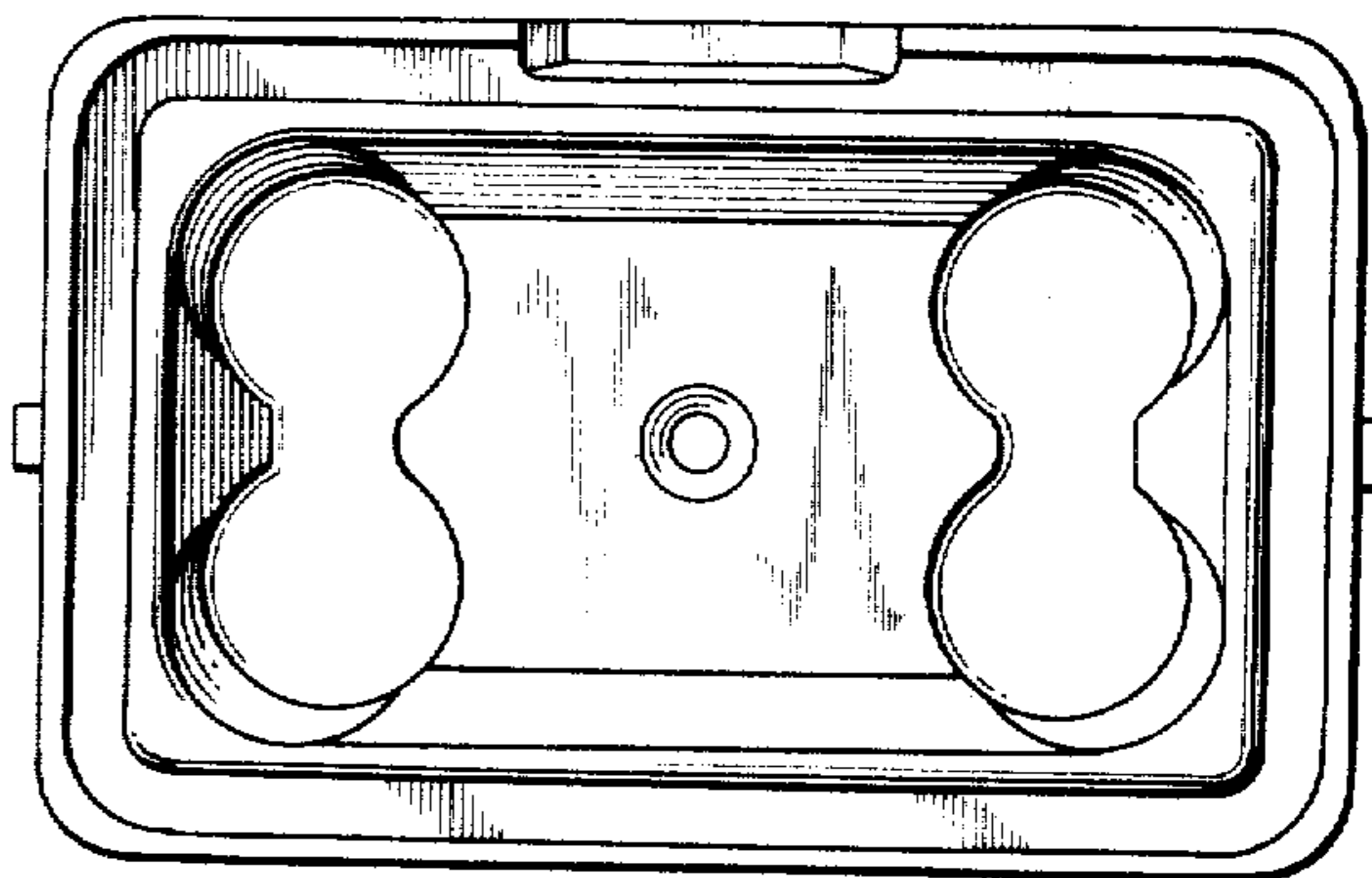
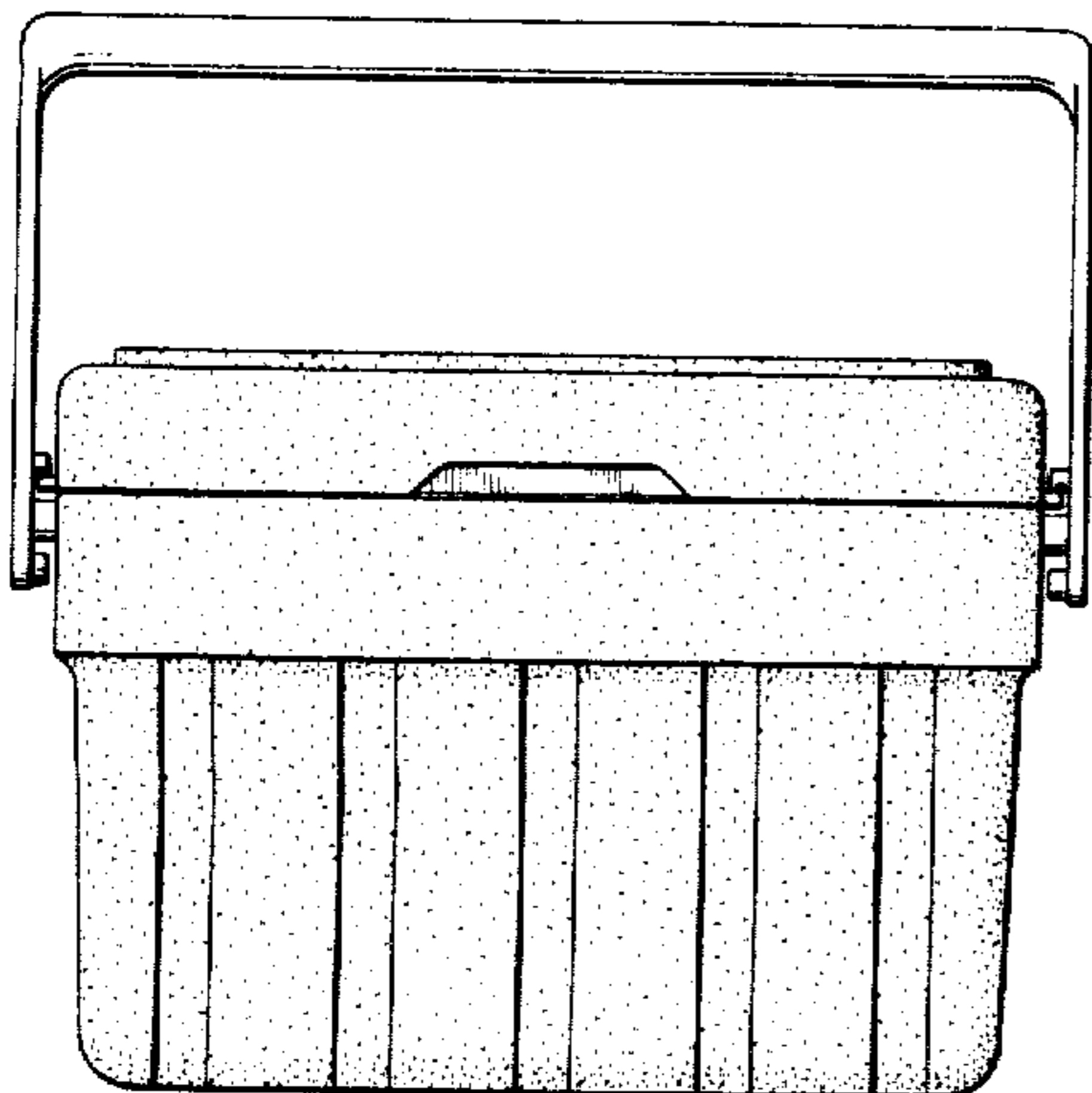
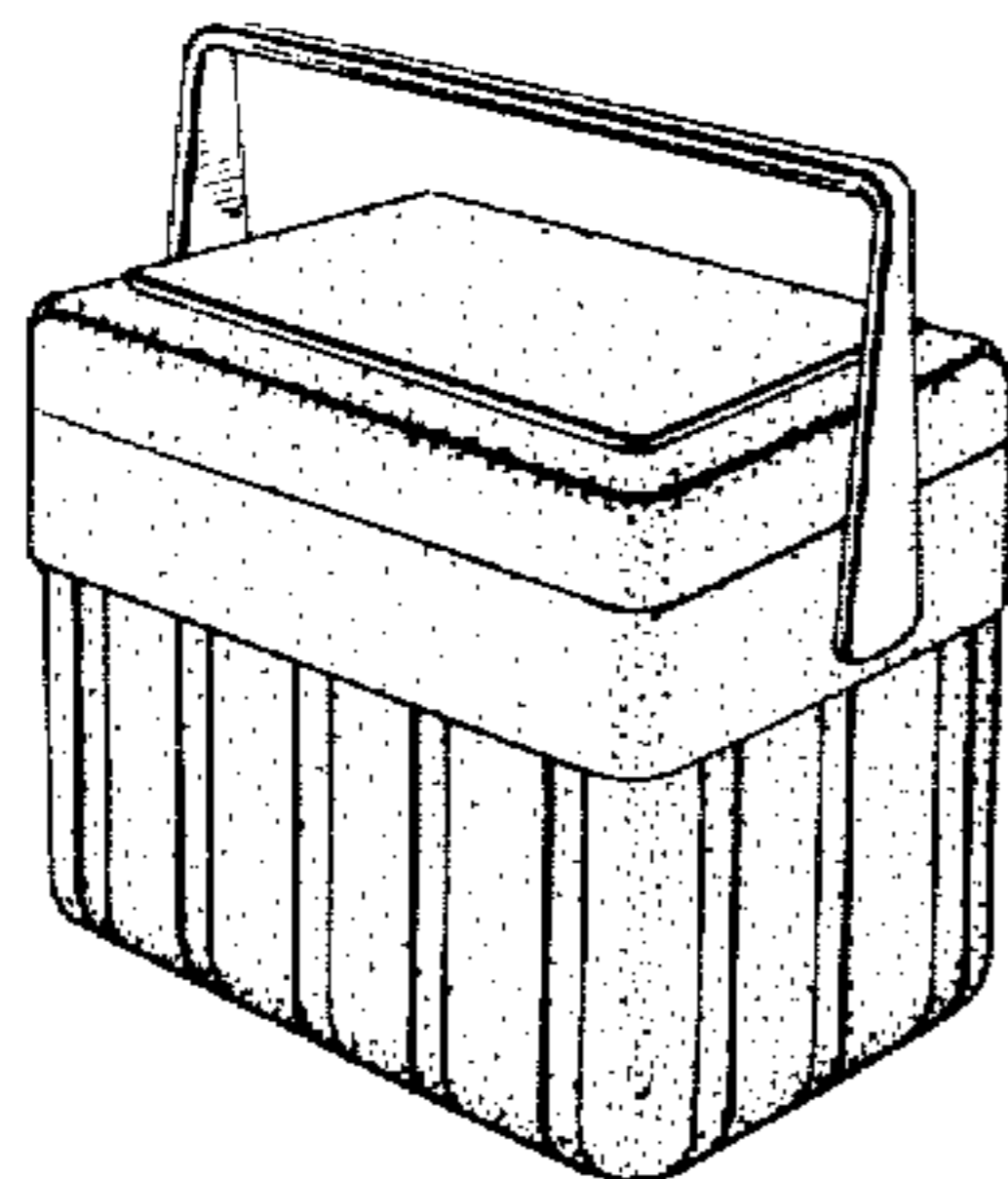


Fig. 1

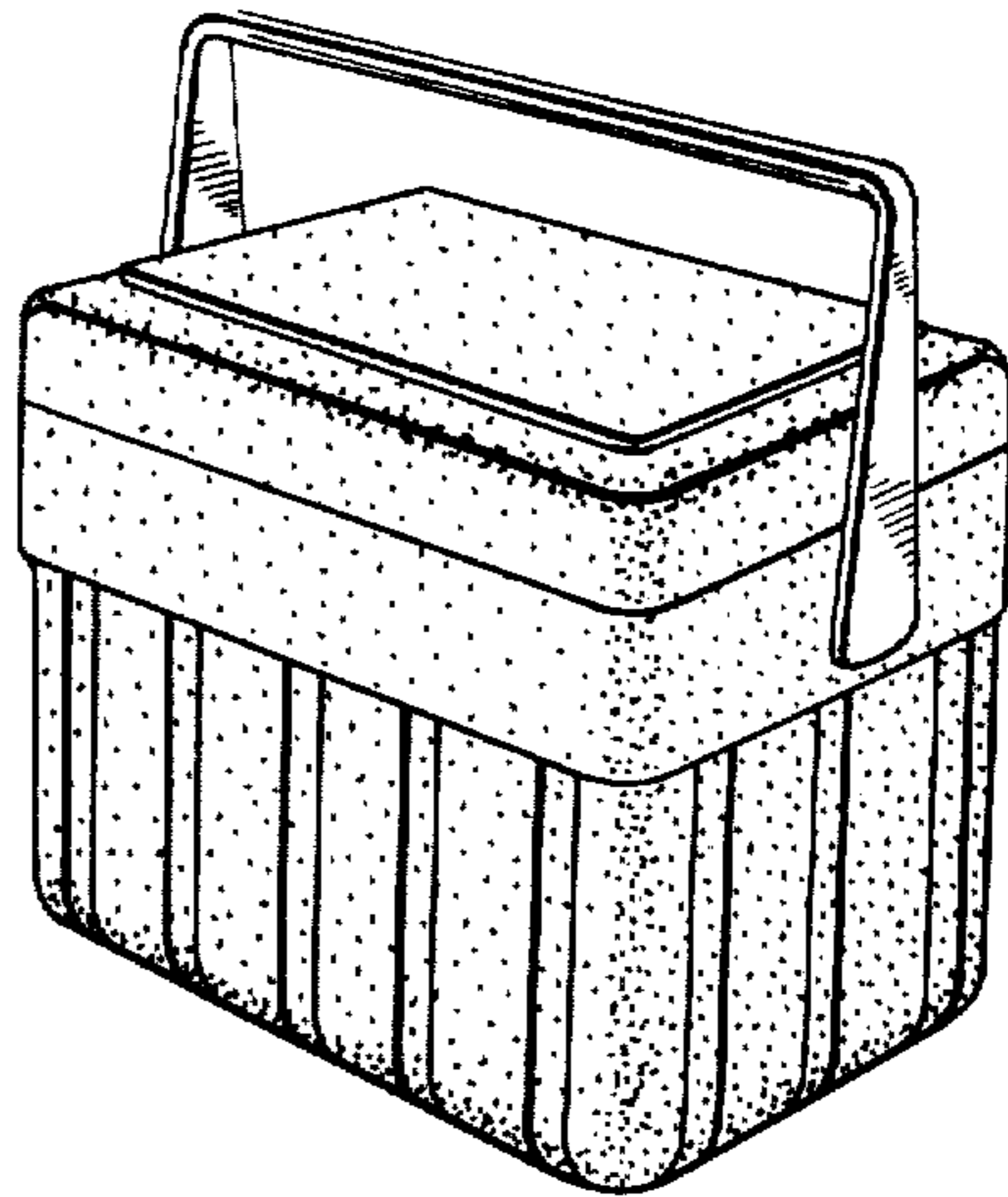


Fig. 2

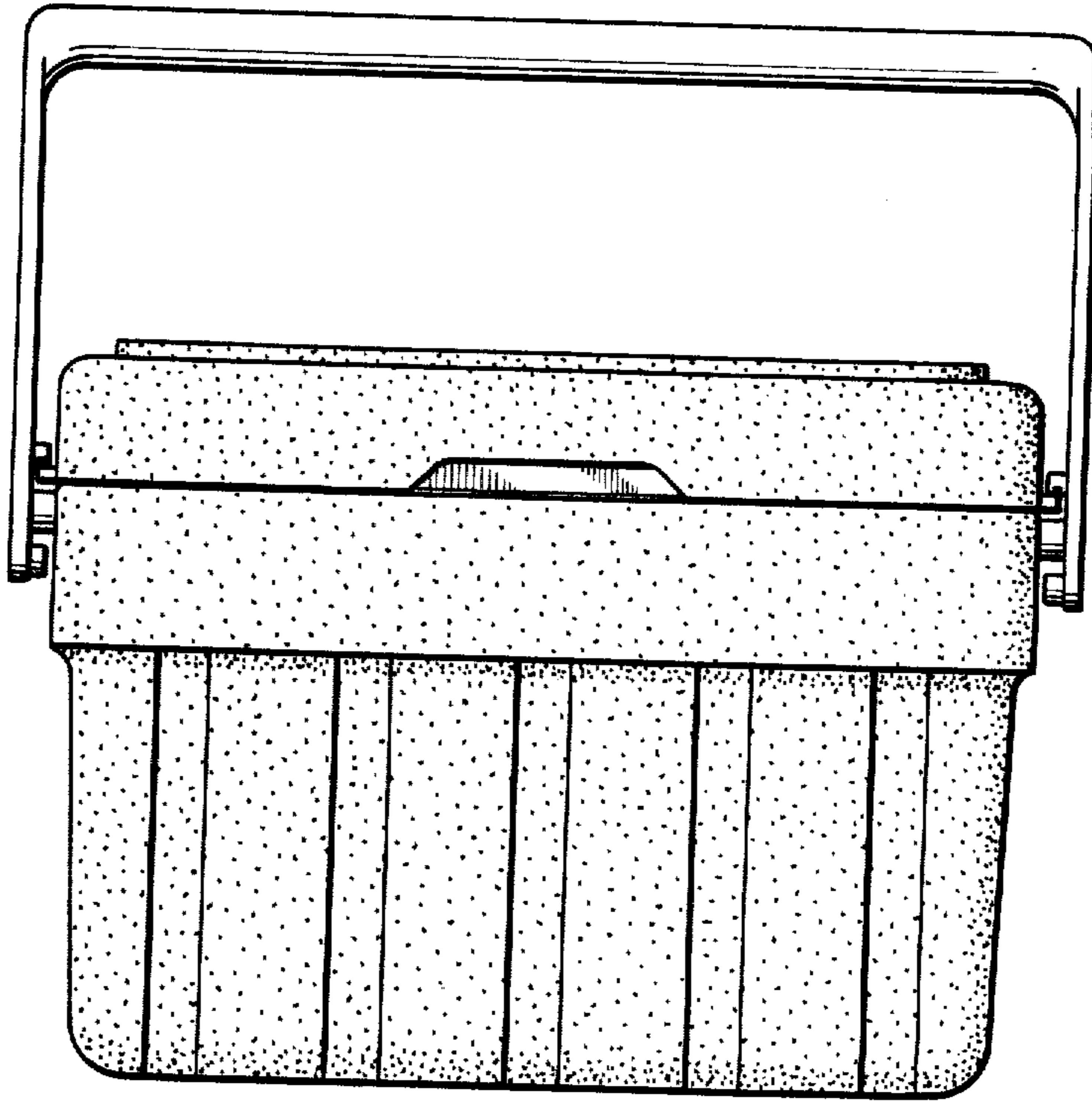


Fig. 3

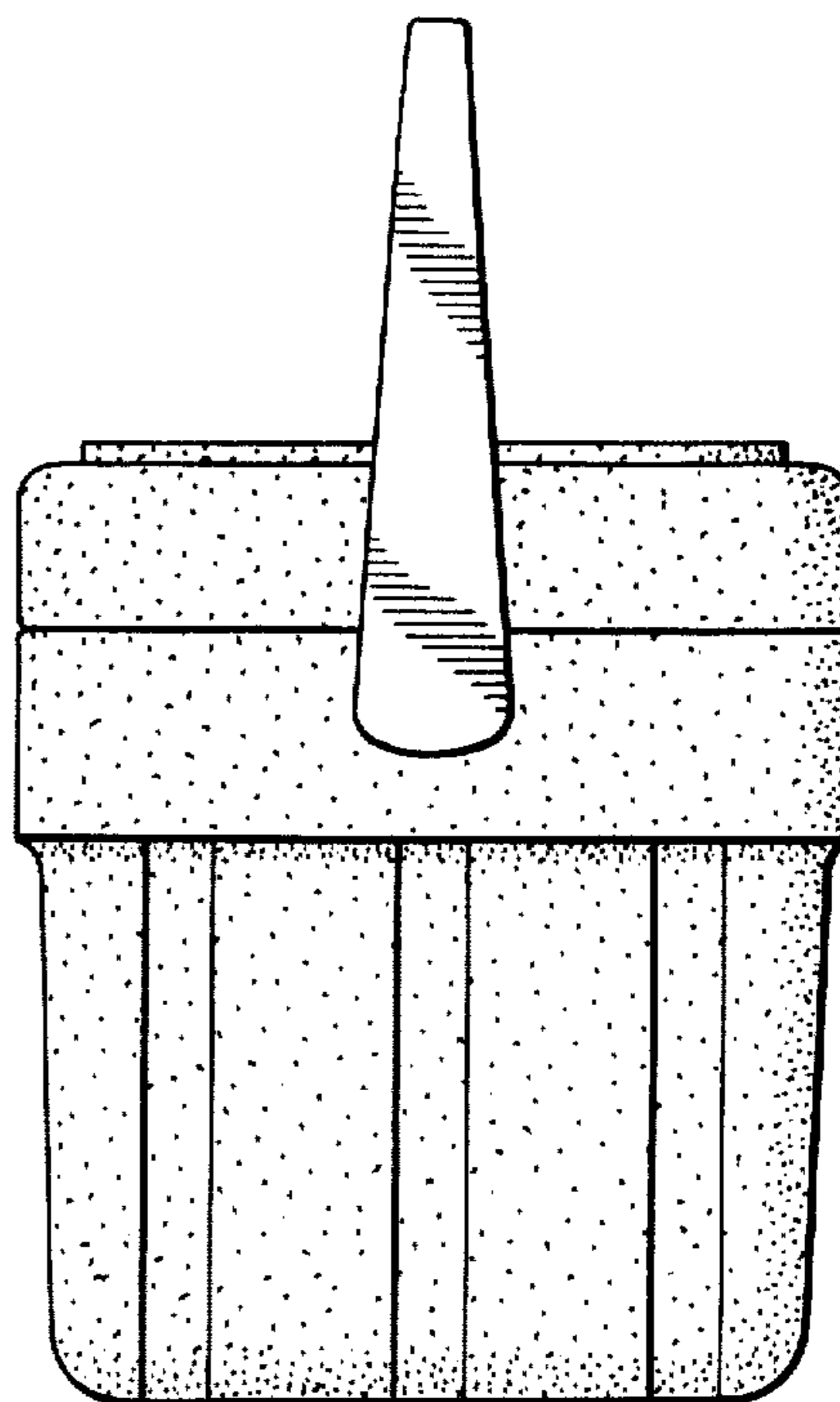


Fig. 4

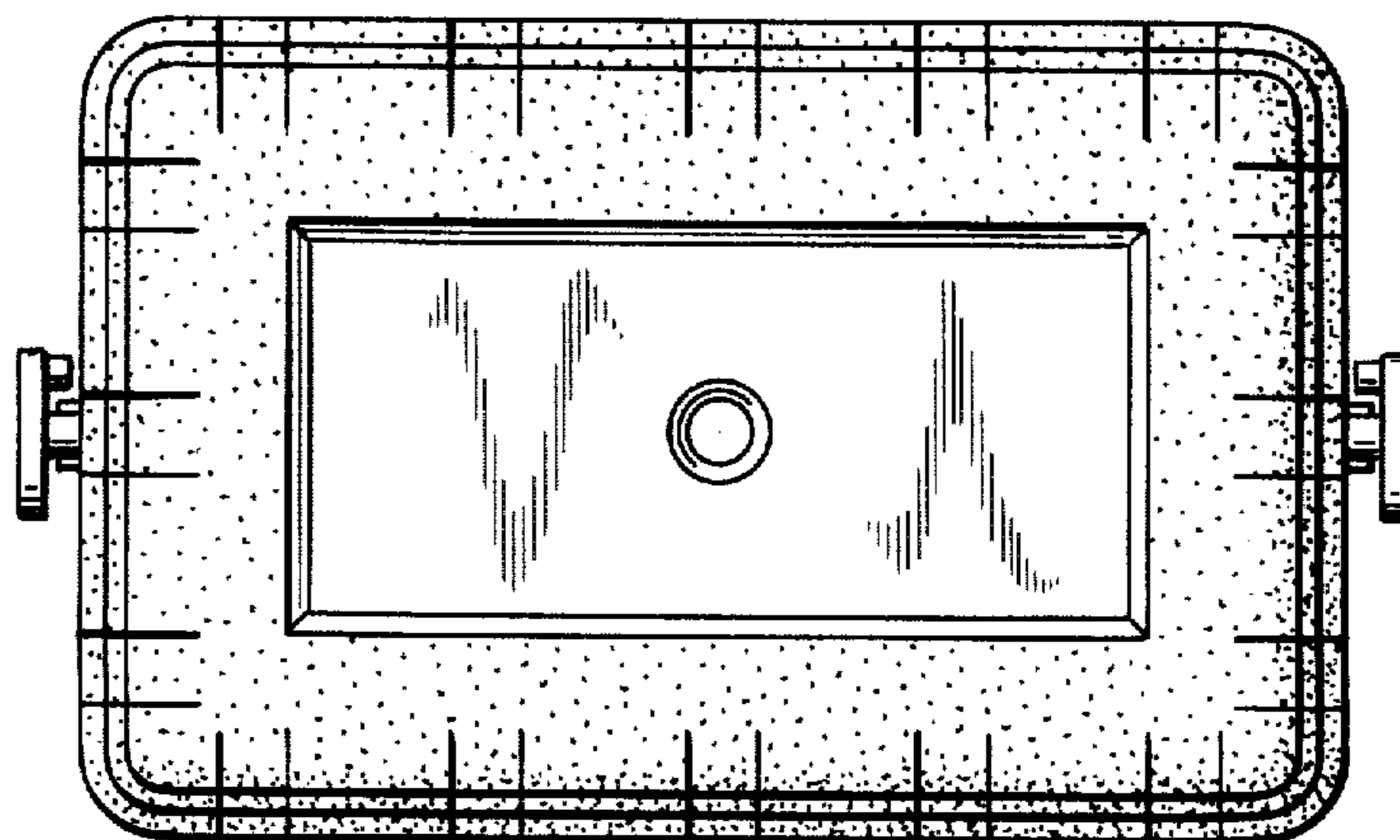


Fig. 5

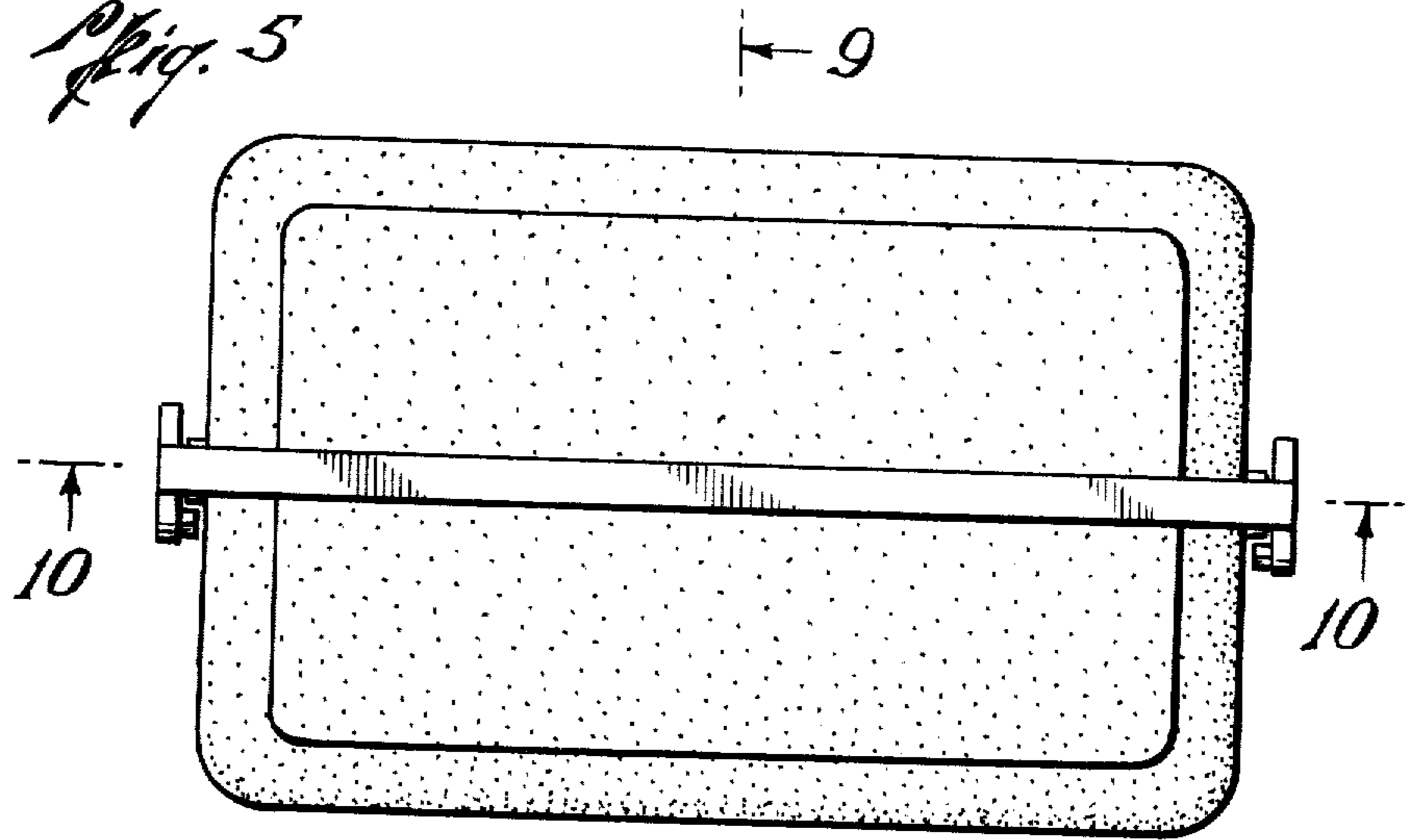


Fig. 6

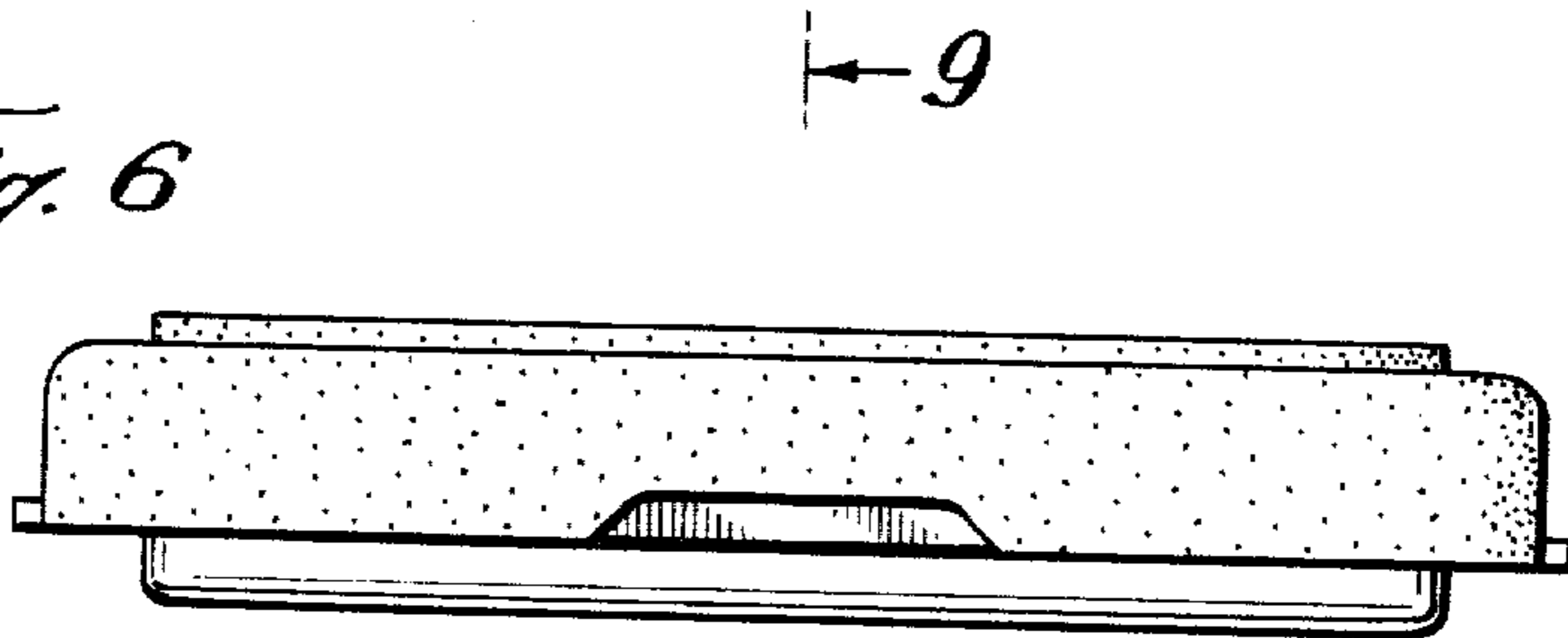


Fig. 7

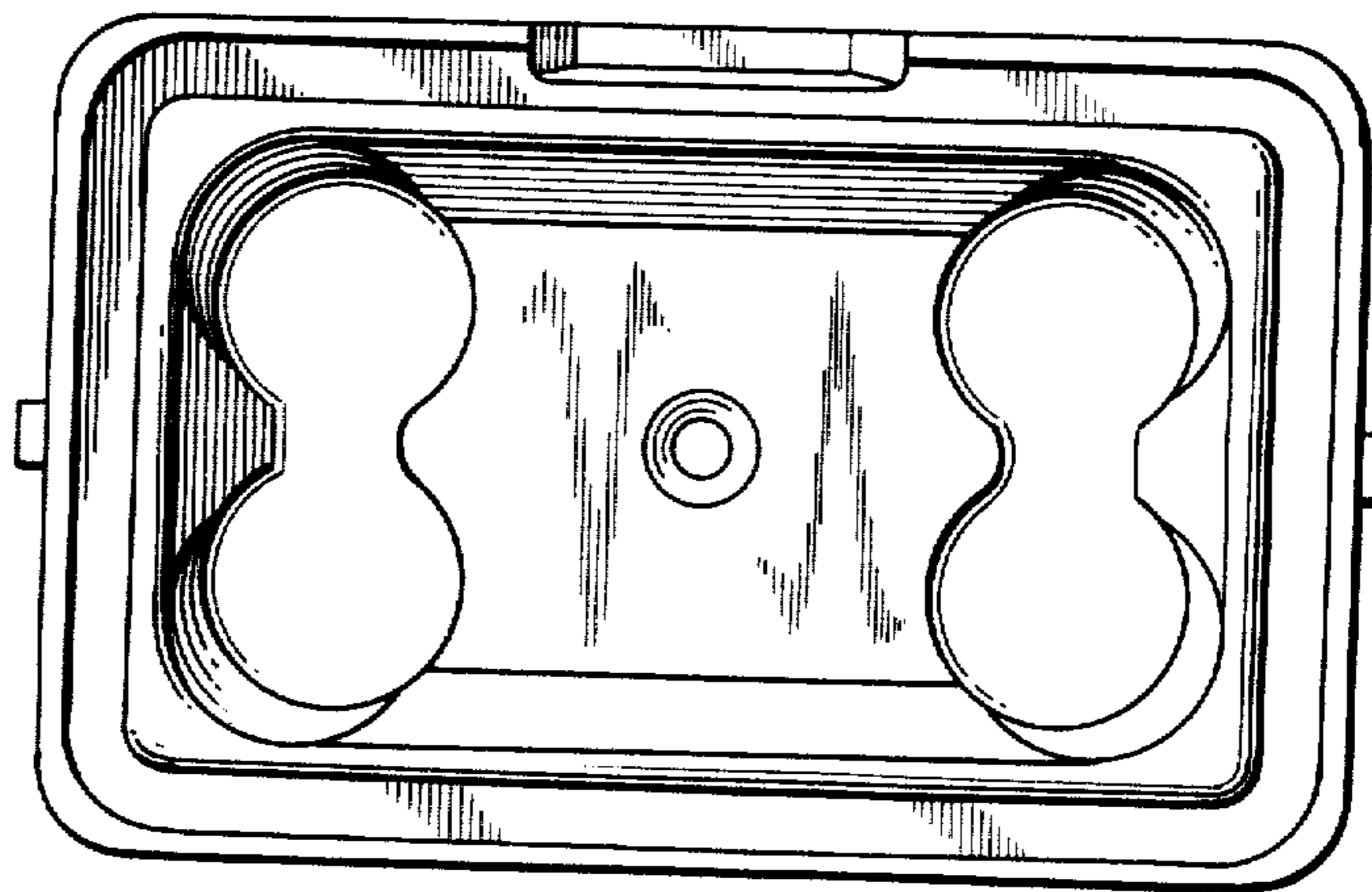


Fig. 8

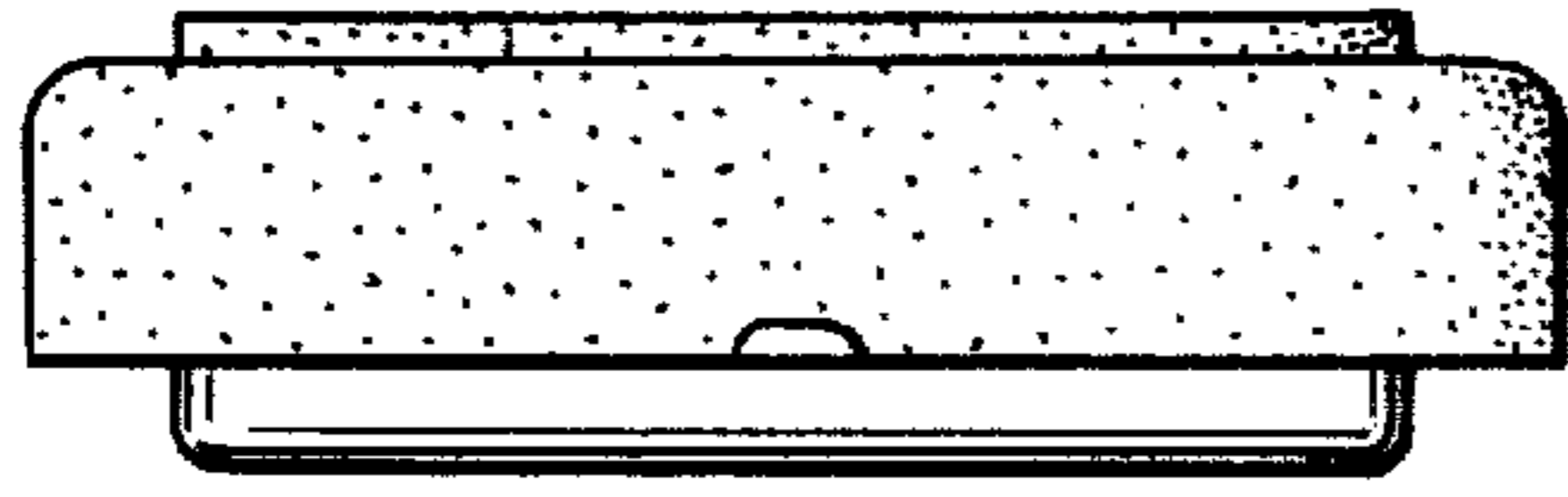


Fig. 9

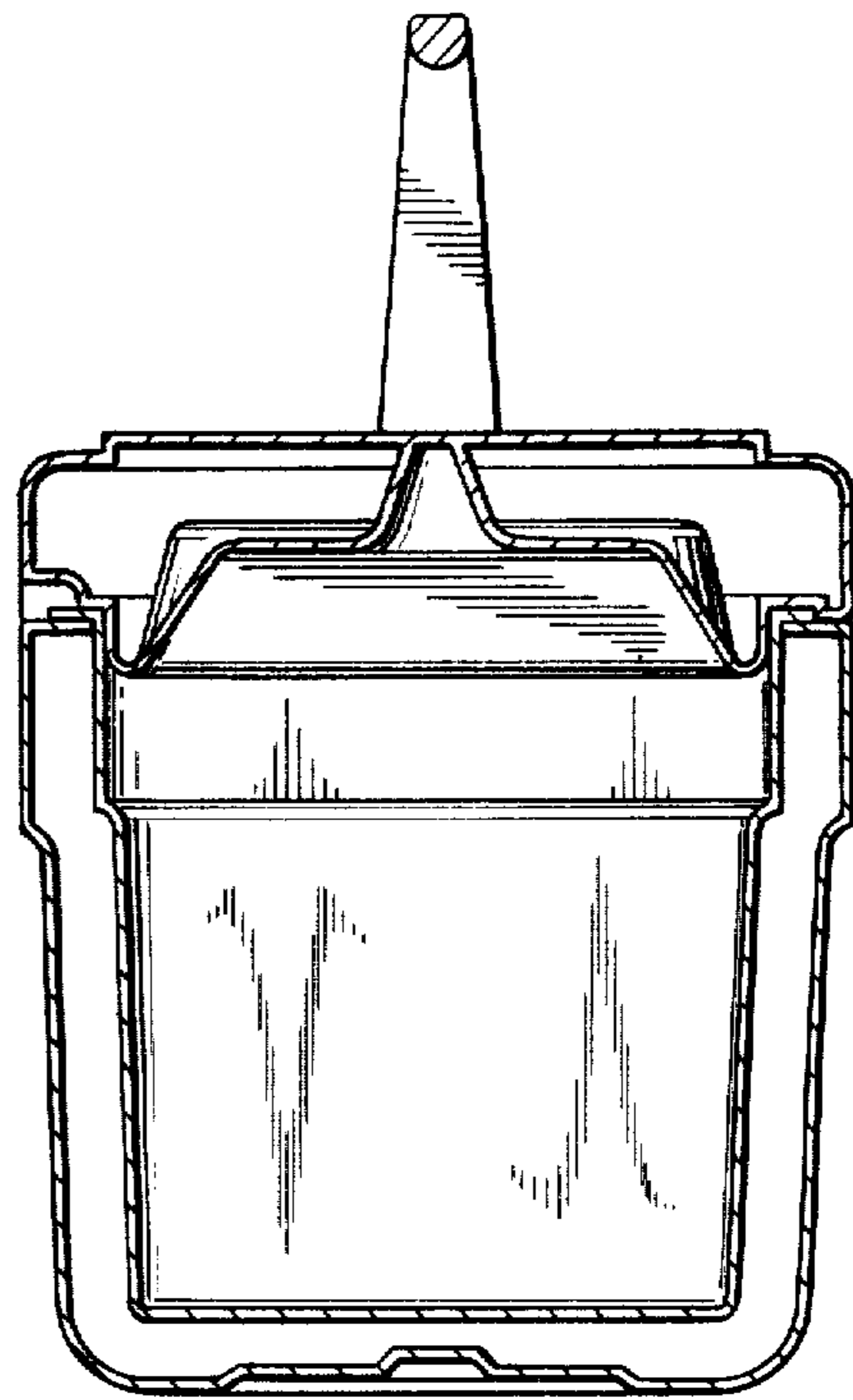


Fig. 10

