

[54] ARM EXTENSION FOR A RUG SAMPLE DISPLAY STAND

[75] Inventor: Fred Van Duyne, Ringwood, N.J.

[73] Assignee: Melrose Displays, Inc., Passaic, N.J.

[**] Term: 14 Years

[21] Appl. No.: 218,648

[22] Filed: Dec. 22, 1980

[51] Int. Cl. D6-99

[52] U.S. Cl. D6/191

[58] Field of Search D6/20, 25, 28, 29, 85, D6/157, 188, 189, 191; 211/45, 52, 55, 181, 182, 177

[56] References Cited

U.S. PATENT DOCUMENTS

D. 186,517	11/1959	Walsh	D6/28
D. 250,303	11/1978	Haber	D6/28
1,280,174	10/1918	Dancer	211/45
3,003,646	10/1961	Wolf	D6/28 X
3,204,779	9/1965	Warner	211/177

Primary Examiner—Bruce W. Dunkins
Attorney, Agent, or Firm—Weinstein & Sutton

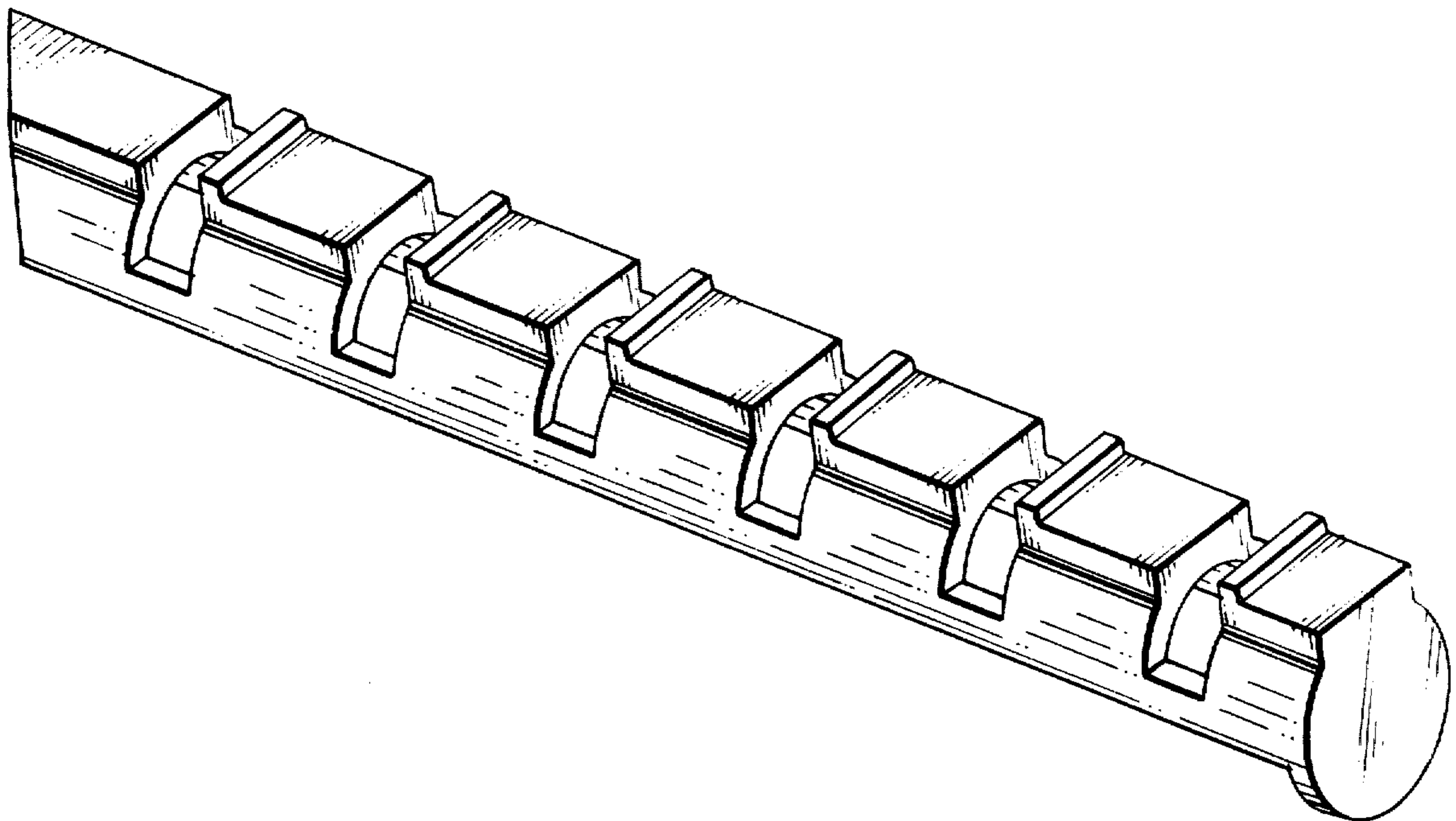
[57] CLAIM

The ornamental design for an arm extension for a rug sample display stand, as shown and described.

DESCRIPTION

FIG. 1 is a front perspective view showing the top, front and left-hand sides of an arm extension for a rug sample display stand, showing my new design;
 FIG. 2 is a back perspective view showing the top, rear and left-hand sides of the hanger sleeve of FIG. 1;
 FIG. 3 is a top plan view thereof;
 FIG. 4 is a rear elevational view thereof;
 FIG. 5 is a front elevational view thereof;
 FIG. 6 is a side elevational view thereof;
 FIG. 7 is a bottom plan view thereof;
 FIG. 8 is a front perspective view showing the top, front and left-hand sides of a modification of the hanger sleeve of FIG. 1, showing my new design;
 FIG. 9 is a front perspective view showing the top, front and left-hand sides of a modification of the hanger sleeve of FIG. 1, showing my new design;
 FIG. 10 is a front perspective view showing the front, top and left-hand sides of a modification of the hanger sleeve of FIG. 1, incorporating a mounting rod, and showing my new design;
 FIG. 11 is a rear perspective view showing the top, rear and right-hand sides of the modification of FIG. 10; and
 FIG. 12 is a bottom plan view thereof.

The left and right-hand sides of the hanger sleeve of FIGS. 1, 8 and 9 are substantially identical, and are substantially as shown in FIG. 6.



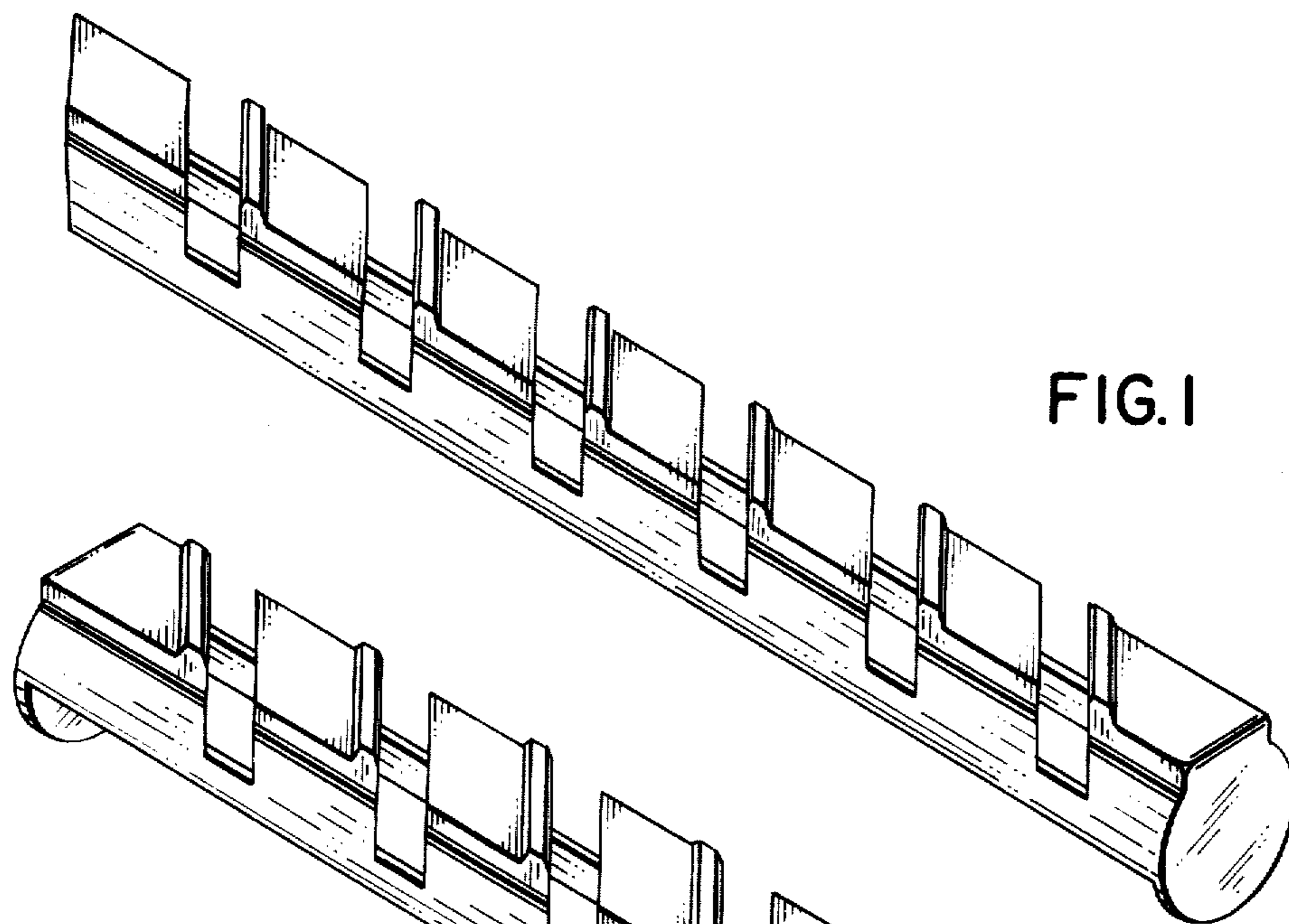


FIG. 1

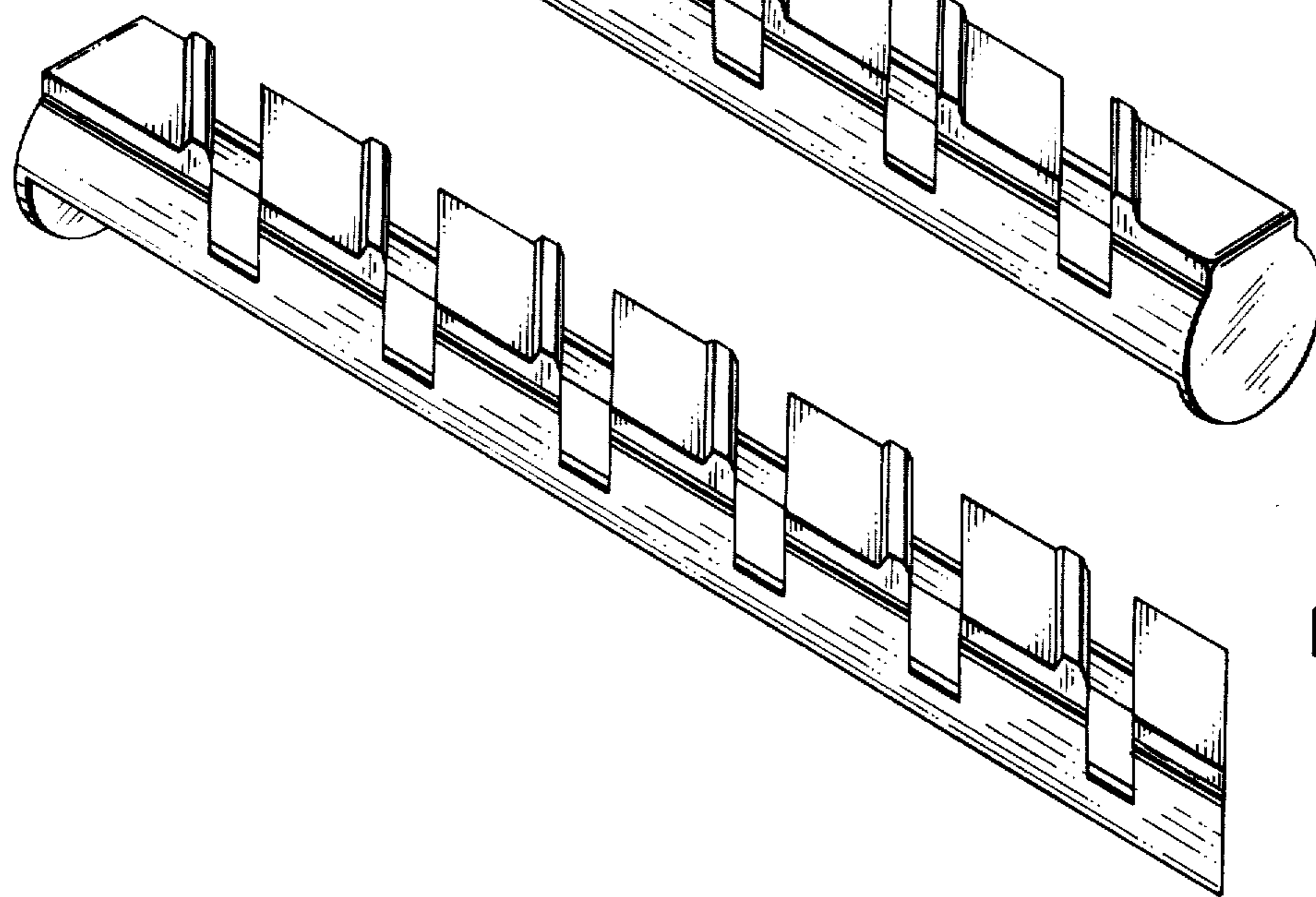


FIG. 2

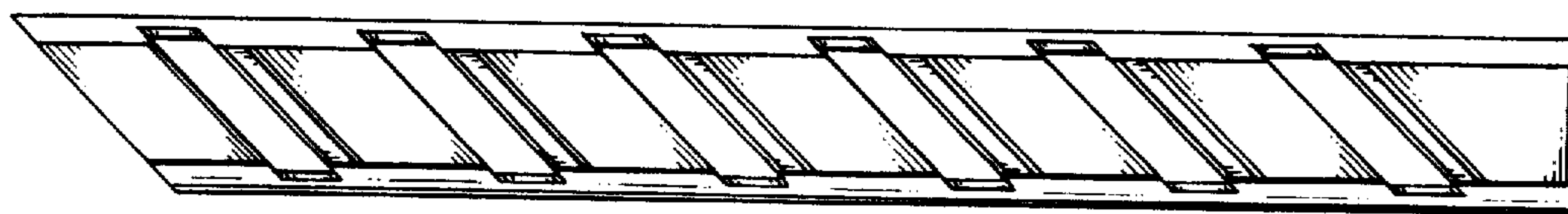


FIG. 3

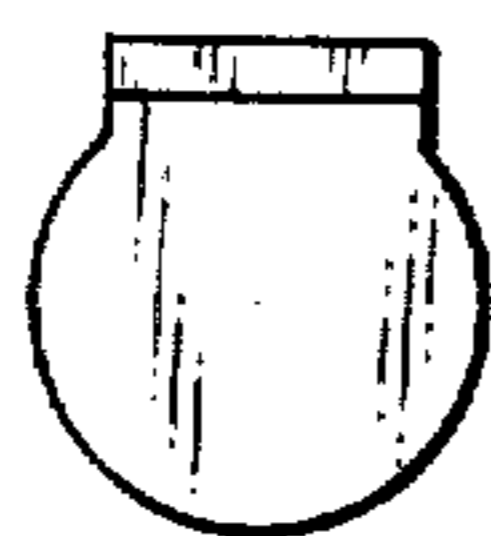


FIG. 4

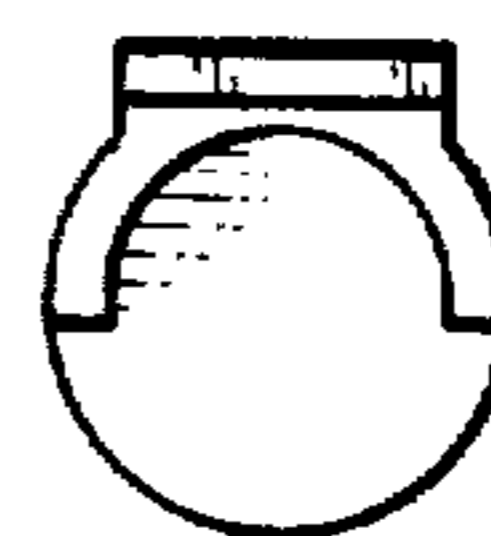


FIG. 5

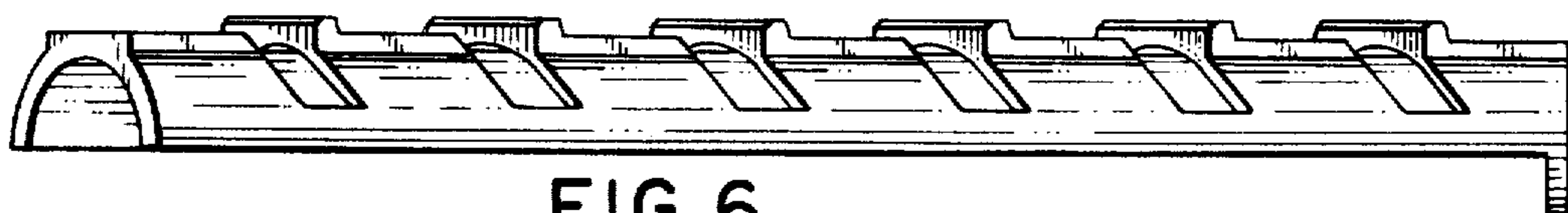


FIG. 6

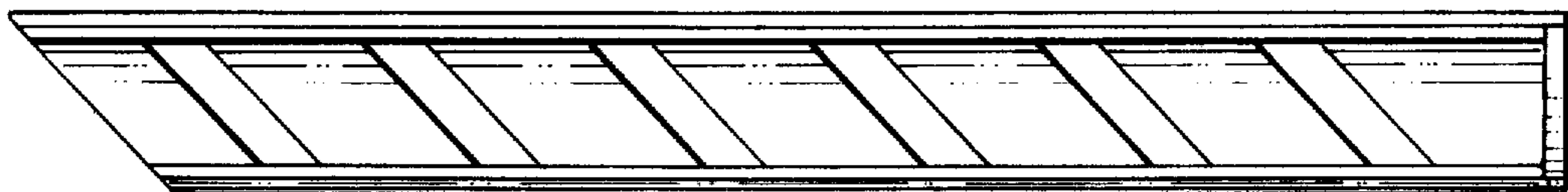


FIG. 7

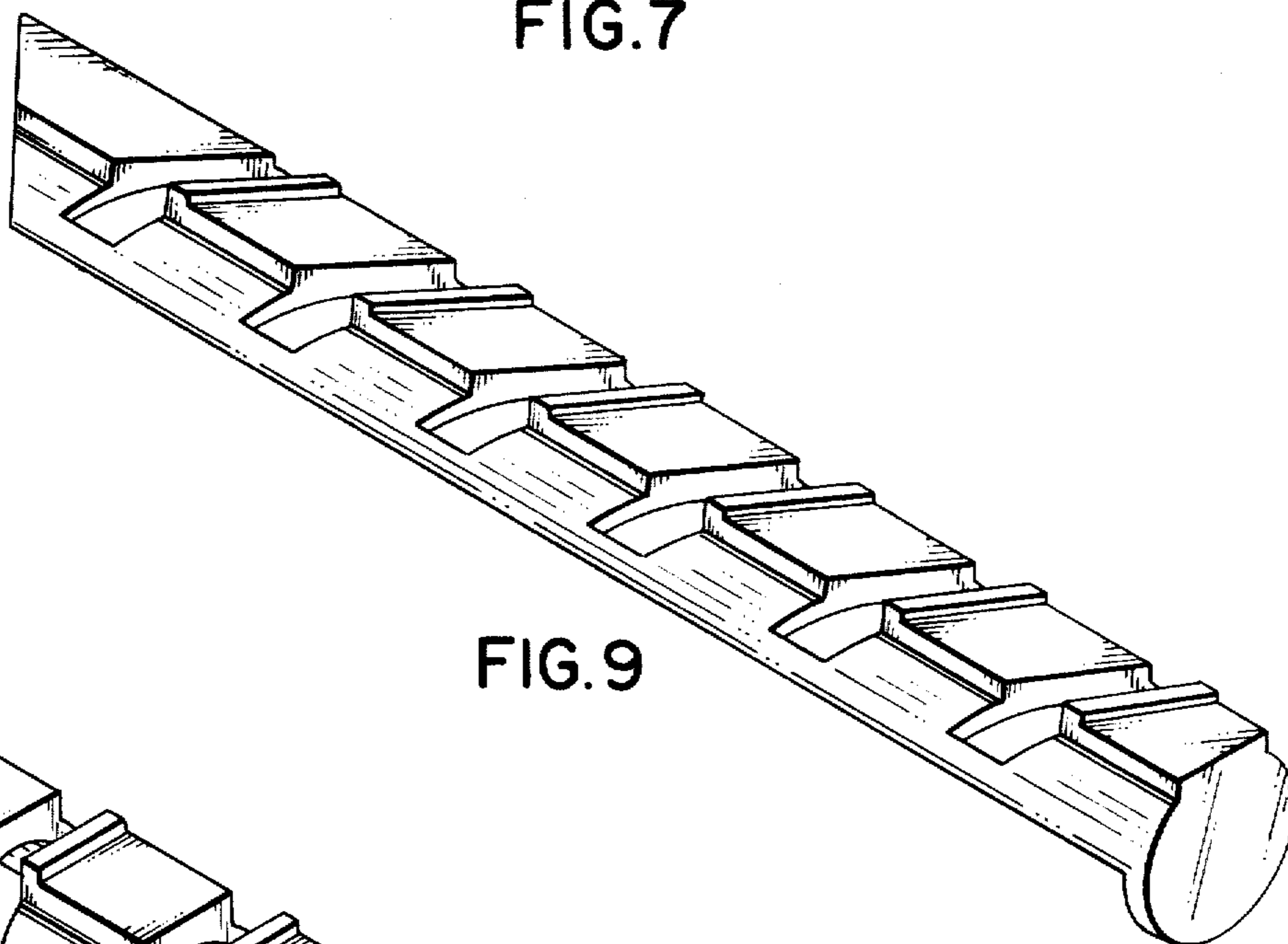


FIG. 9

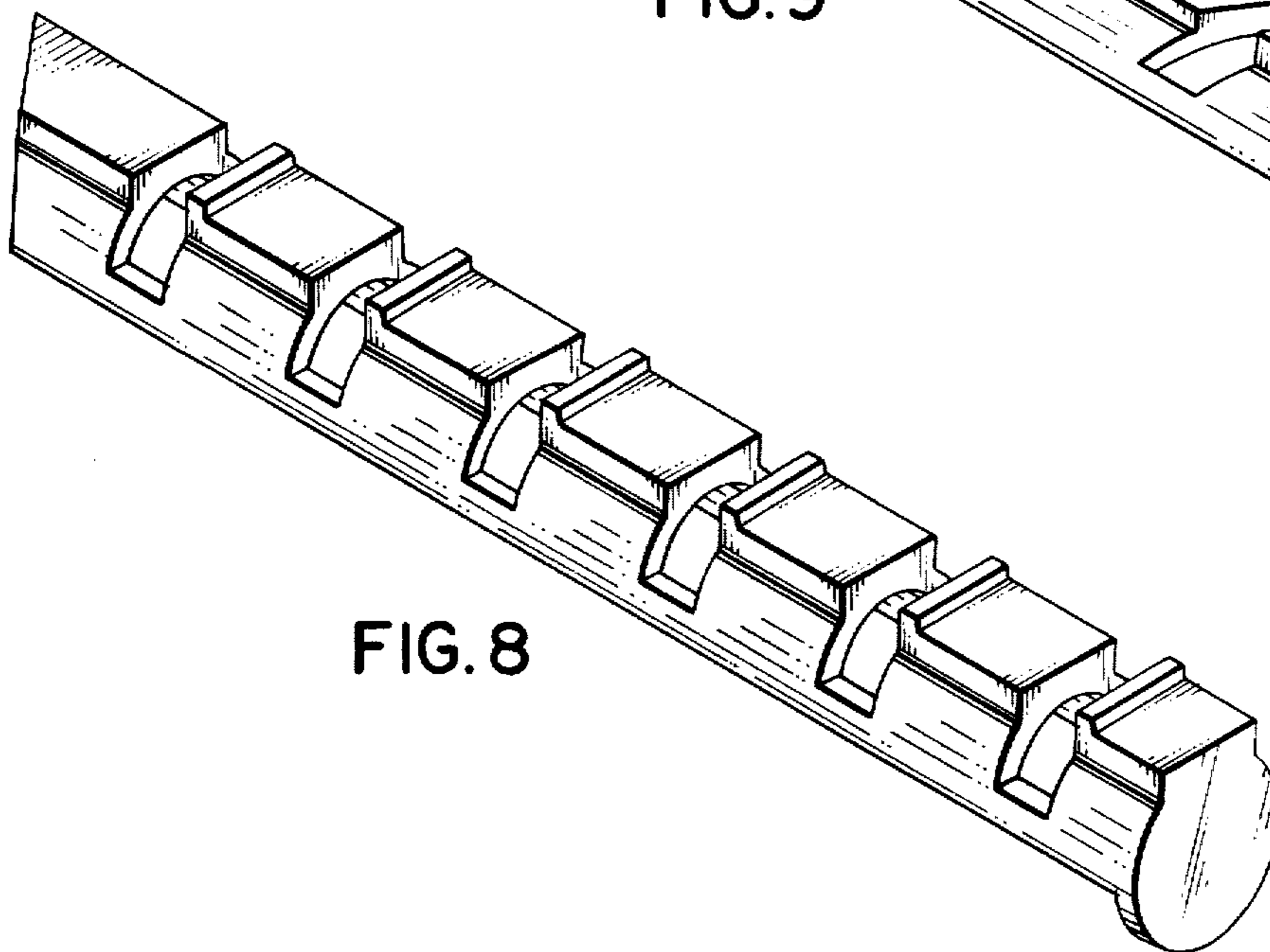


FIG. 8

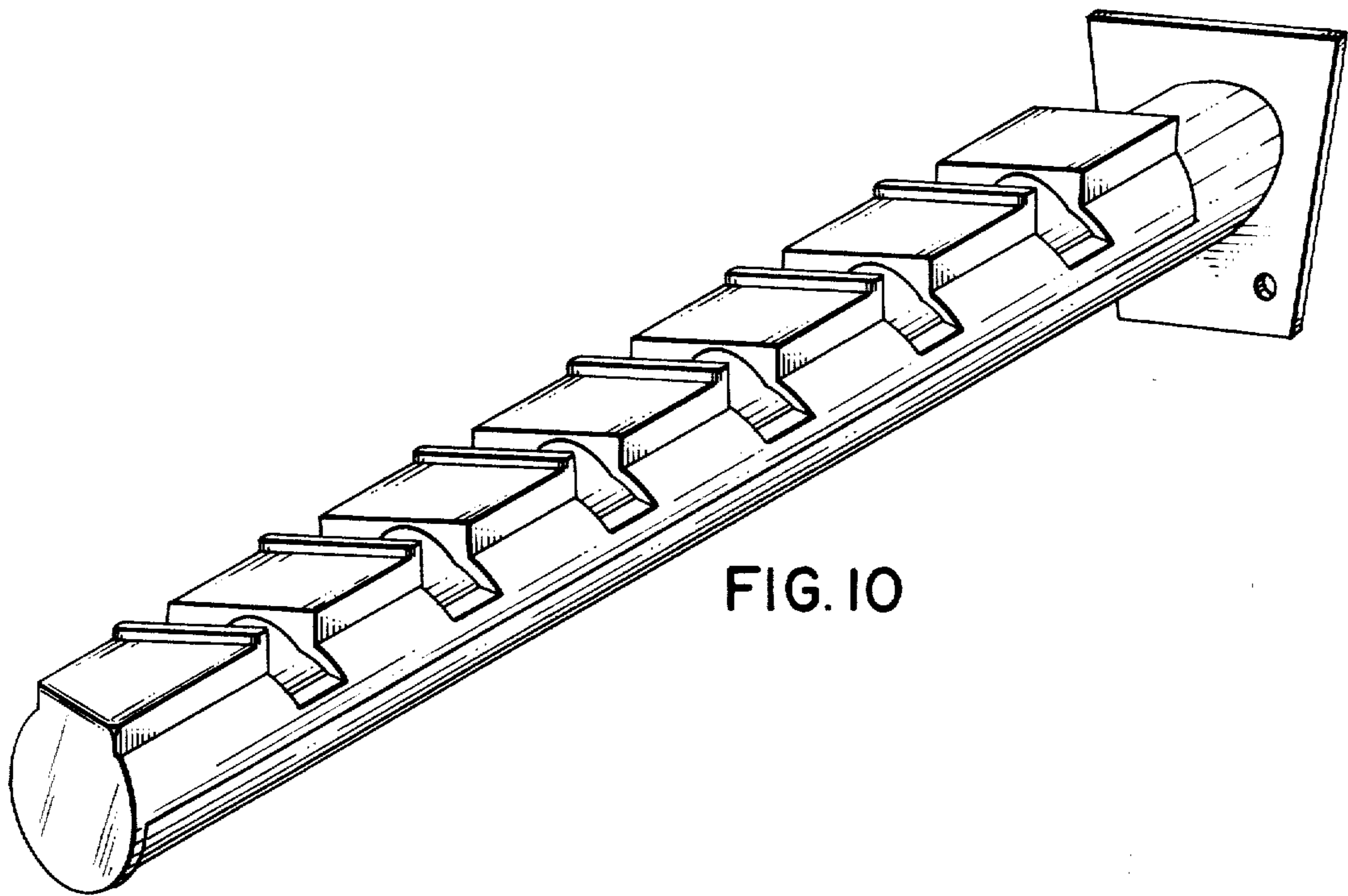


FIG. 10

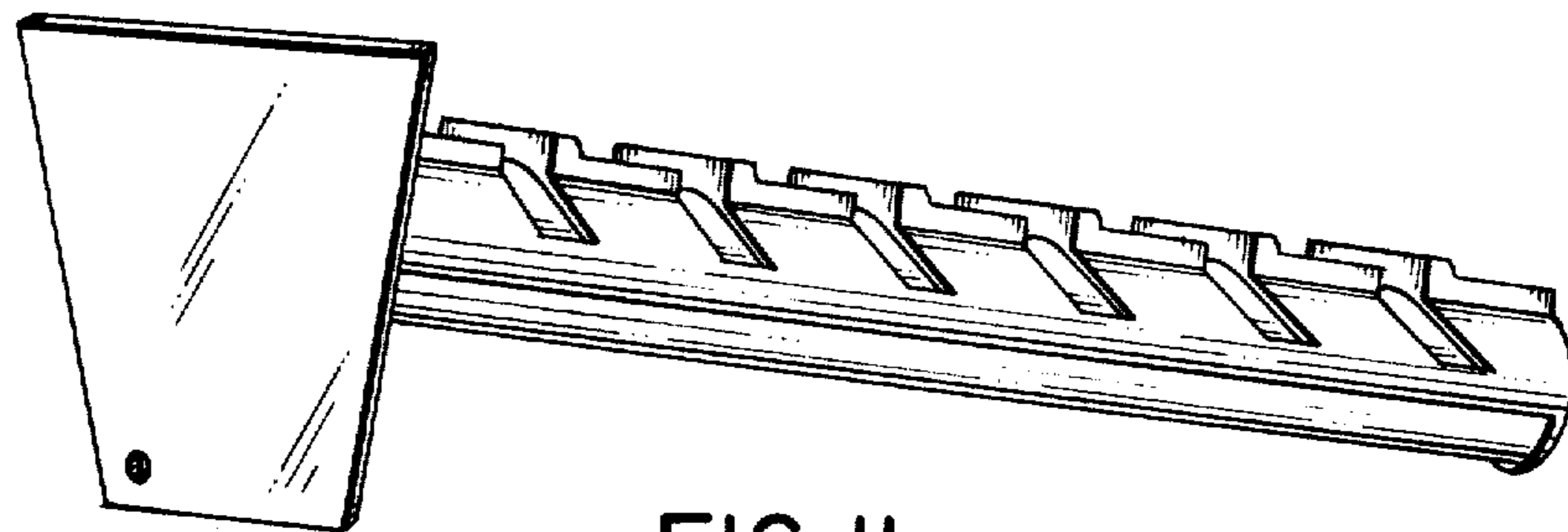


FIG. 11

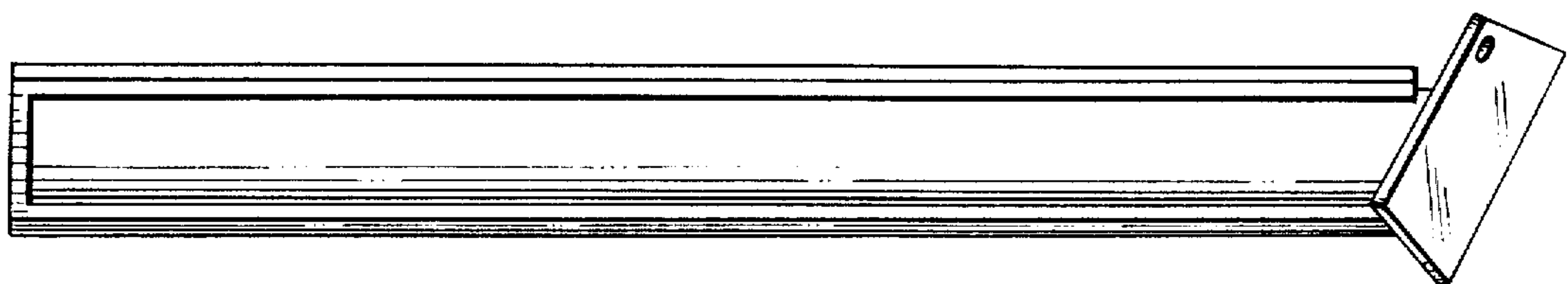


FIG. 12