

[54] ADJUSTABLE TABLE

[76] Inventor: Dennis R. Kapp, 7780 Chichester, Canton, Mich. 48187

[\*\*] Term: 14 Years

[21] Appl. No.: 260,080

[22] Filed: May 4, 1981

[51] Int. Cl. .... D6-03

[52] U.S. Cl. .... D6/177; D6/156

[58] Field of Search .... D6/27, 146-149, D6/156, 175, 177, 178, 179

[56] References Cited

U.S. PATENT DOCUMENTS

D. 47,448	6/1915	Bachelier	.....	D6/156
D. 203,275	12/1965	Faux et al.	.....	D6/156
D. 215,162	9/1969	Robichaud	.....	D6/156
D. 219,459	12/1970	Rieker	.....	D6/156
D. 235,834	7/1975	Payne	.....	D6/156 X
D. 236,045	7/1975	Petrie	.....	D6/156 X
3,232,248	2/1966	Gelb	.....	D6/156 X

Primary Examiner—Bruce W. Dunkins  
Attorney, Agent, or Firm—Barnes, Kisselle, Raisch, Choate, Whittemore & Hulbert

[57] CLAIM

The ornamental design for an adjustable table, substantially as shown and described.

DESCRIPTION

FIG. 1 is a perspective view of an adjustable table embodying this invention with its top in a partially raised and inclined position.

FIG. 2 is an elevational front view of the table of FIG. 1.

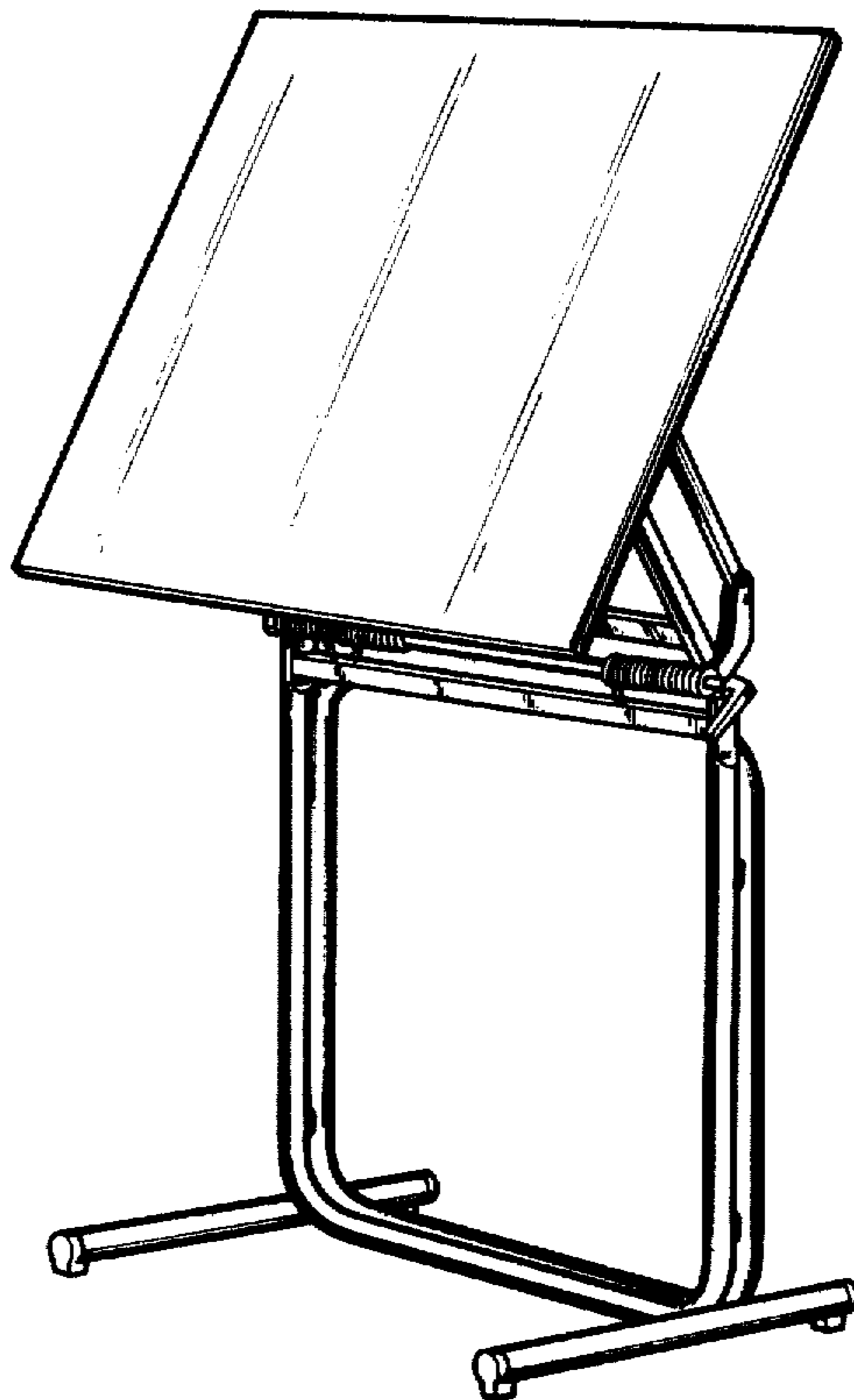
FIG. 3 is an elevational view of the left-hand side of the table of FIG. 1 as referenced by an observer located in front of and viewing the front of the table.

FIG. 4 is an elevational view of the right-hand side of the table of FIG. 1 as referenced by an observer located in front of and viewing the front of the table.

FIG. 5 is a top view of the adjustable table of FIG. 1.

FIG. 6 is an elevational back view of the table of FIG. 1.

FIG. 7 is a bottom view of the table of FIG. 1.



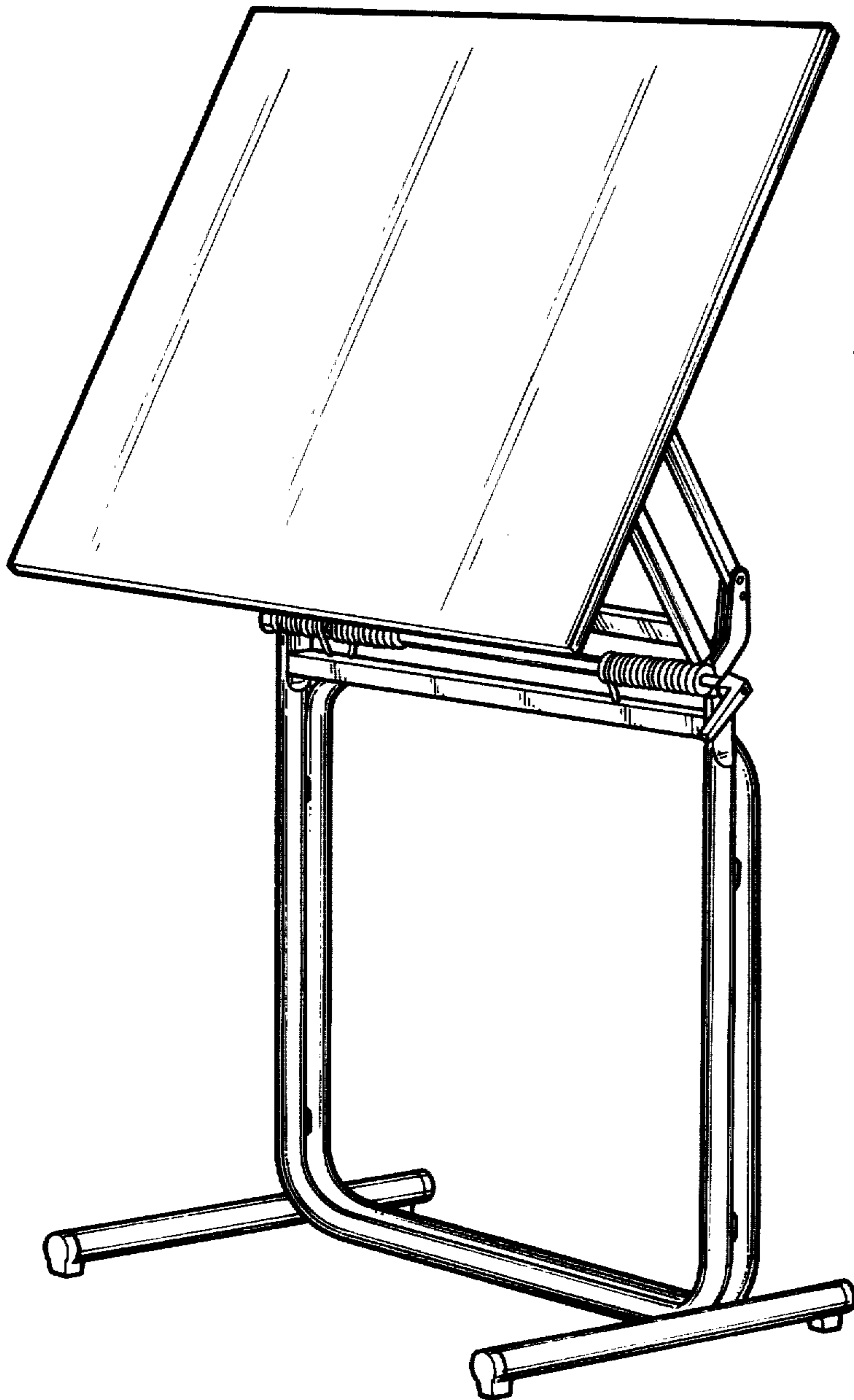


Fig-1

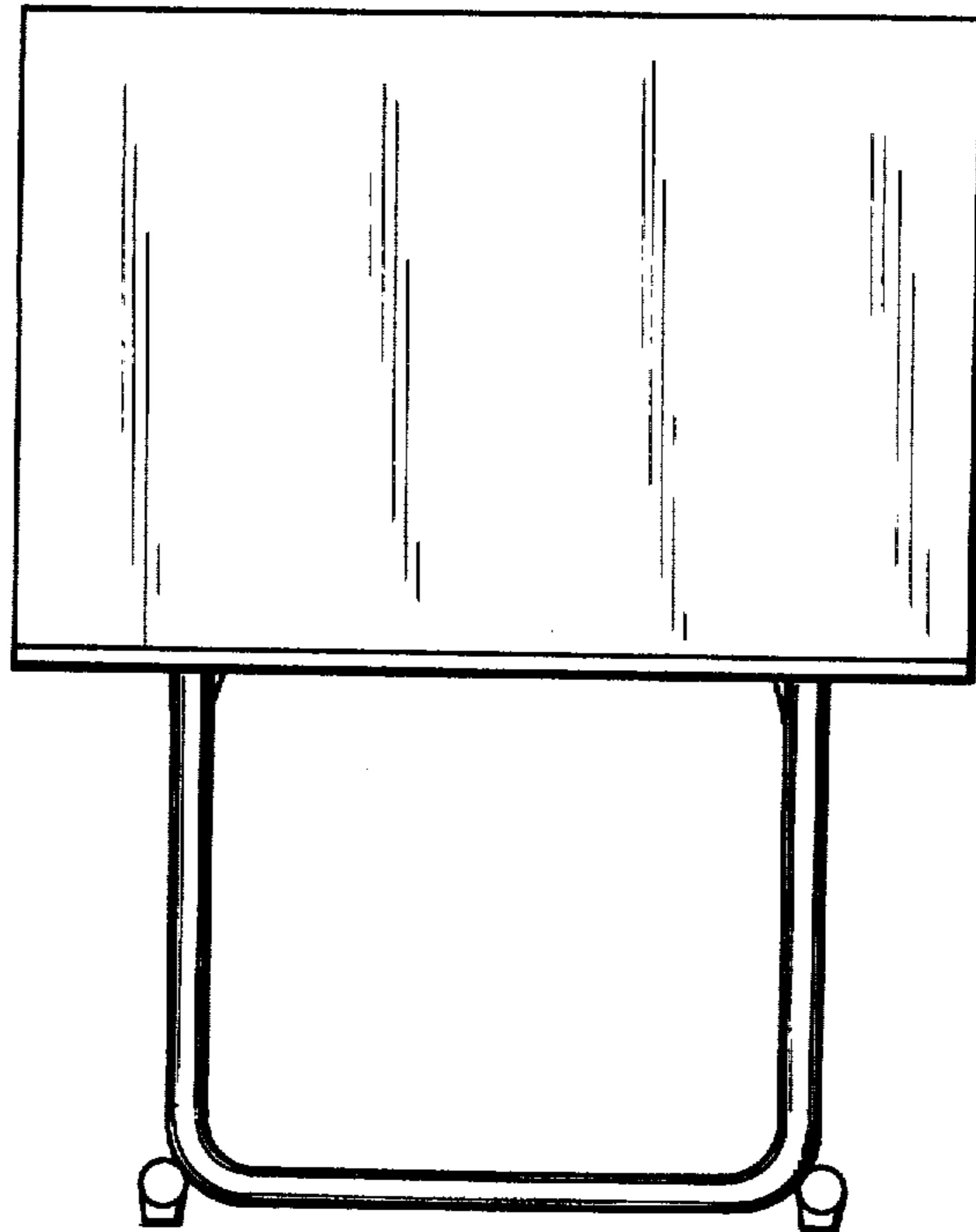


Fig-2

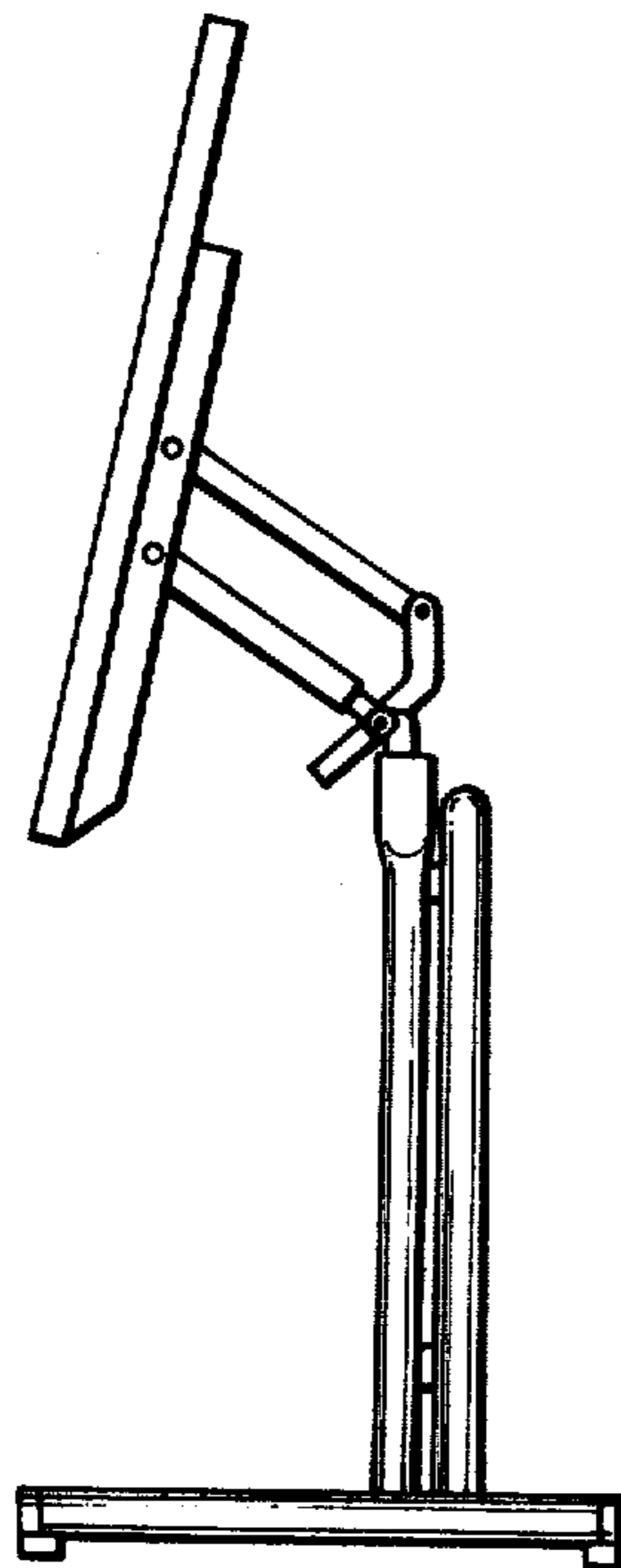


Fig-3

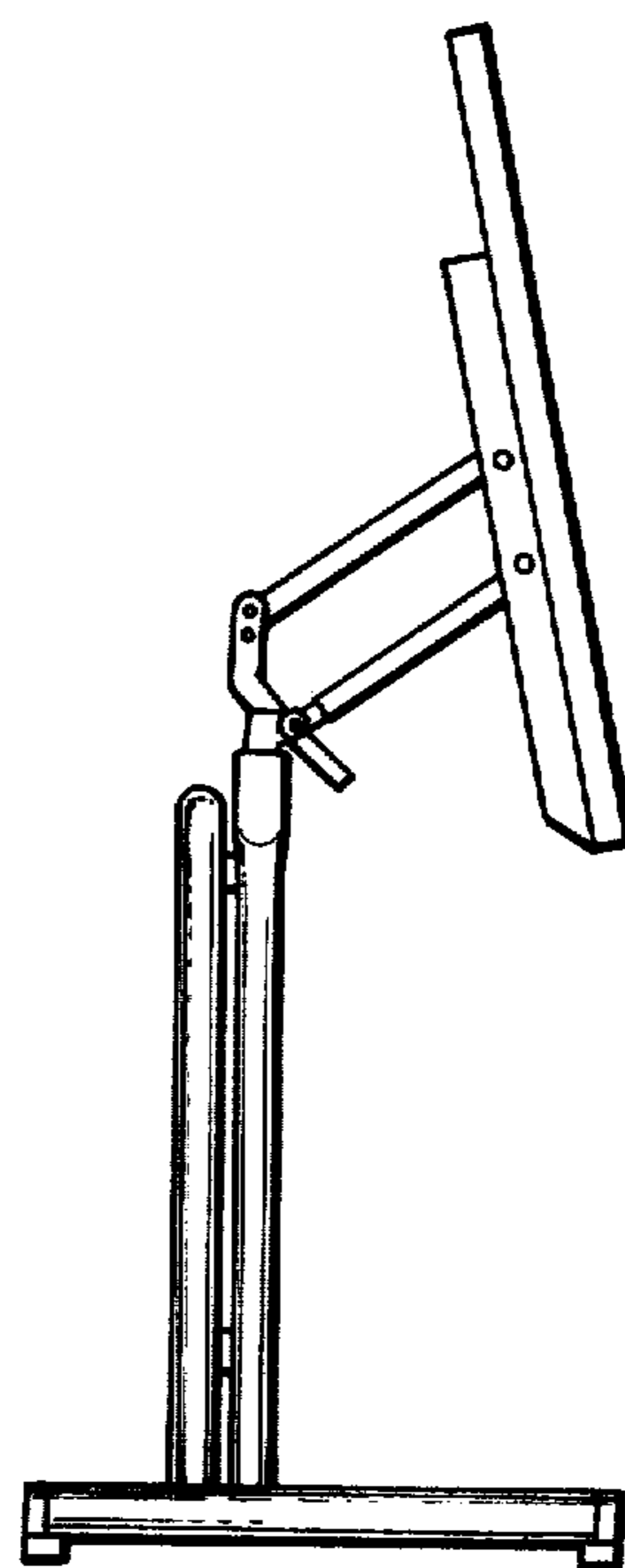


Fig-4

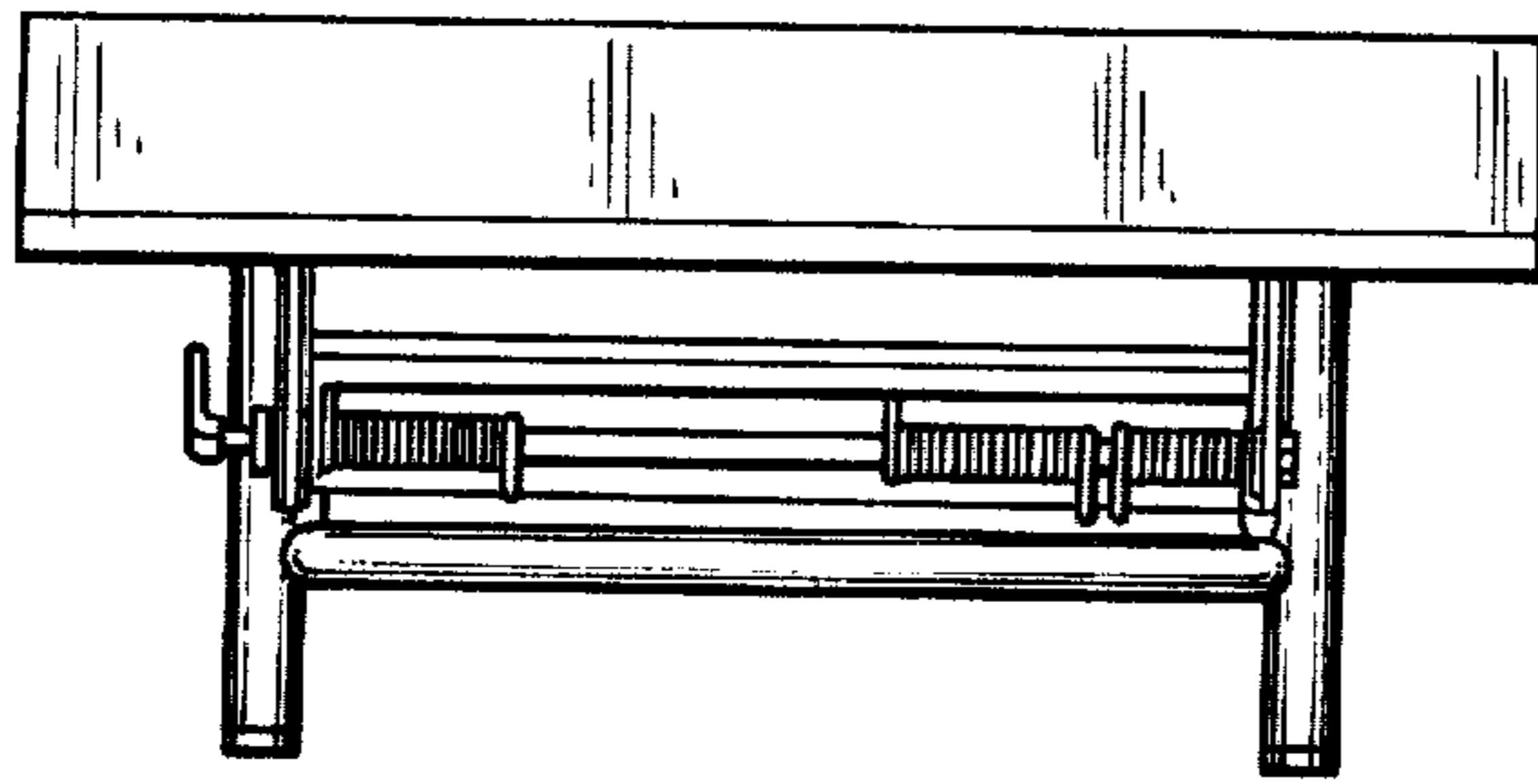


Fig - 5

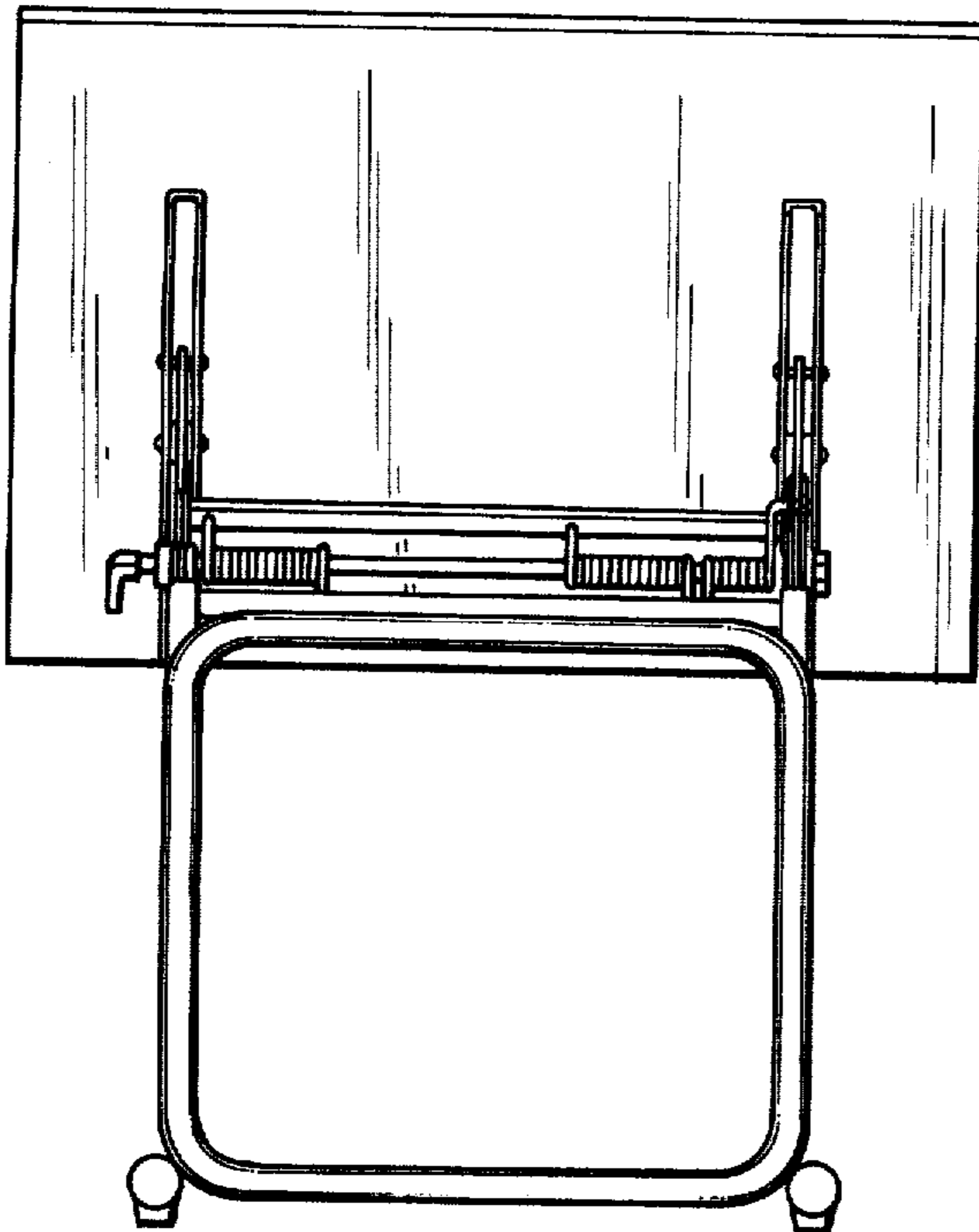


Fig - 6

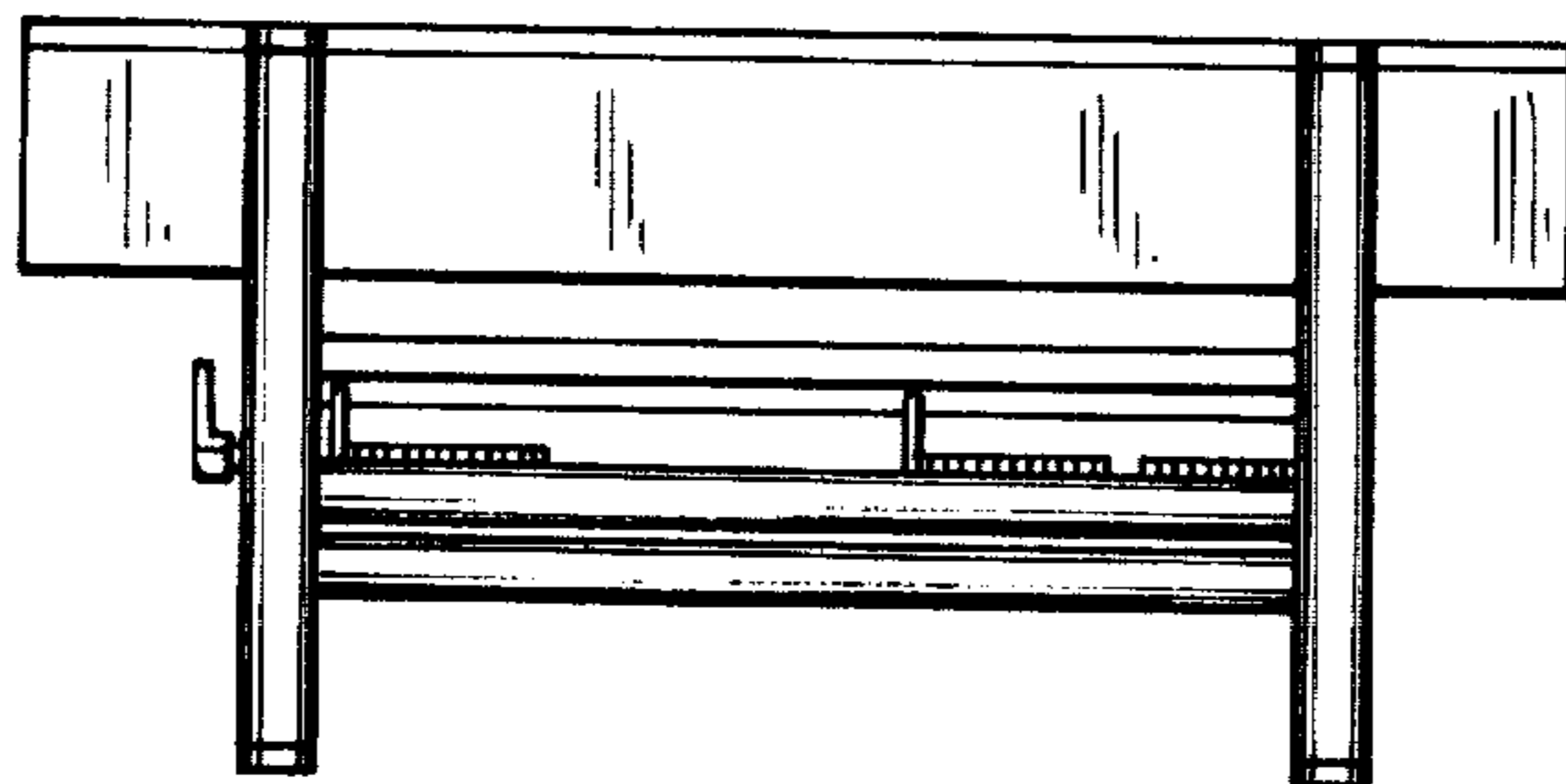


Fig - 7