

[54] TREE STAND

[56]

References Cited

[76] Inventor: John J. Breen, 7100 Alcove Ave., North Hollywood, Calif. 91605

[\*\*] Term: 14 Years

[21] Appl. No.: 241,463

[22] Filed: Mar. 6, 1981

[51] Int. Cl. .... D6-99

[52] U.S. Cl. .... D6/105; D6/176

[58] Field of Search ..... D6/105, 176; 47/405; 248/163, 511, 519, 523-529

U.S. PATENT DOCUMENTS

D. 247,271	2/1978	Zipser	.....	D6/105
1,540,025	6/1925	Lemay	.....	248/524
1,830,193	11/1931	Danner	.....	248/527
2,522,156	9/1950	Balmer	.....	47/40.5
4,326,687	4/1982	Clyburn	.....	D6/176

Primary Examiner—B. J. Bullock

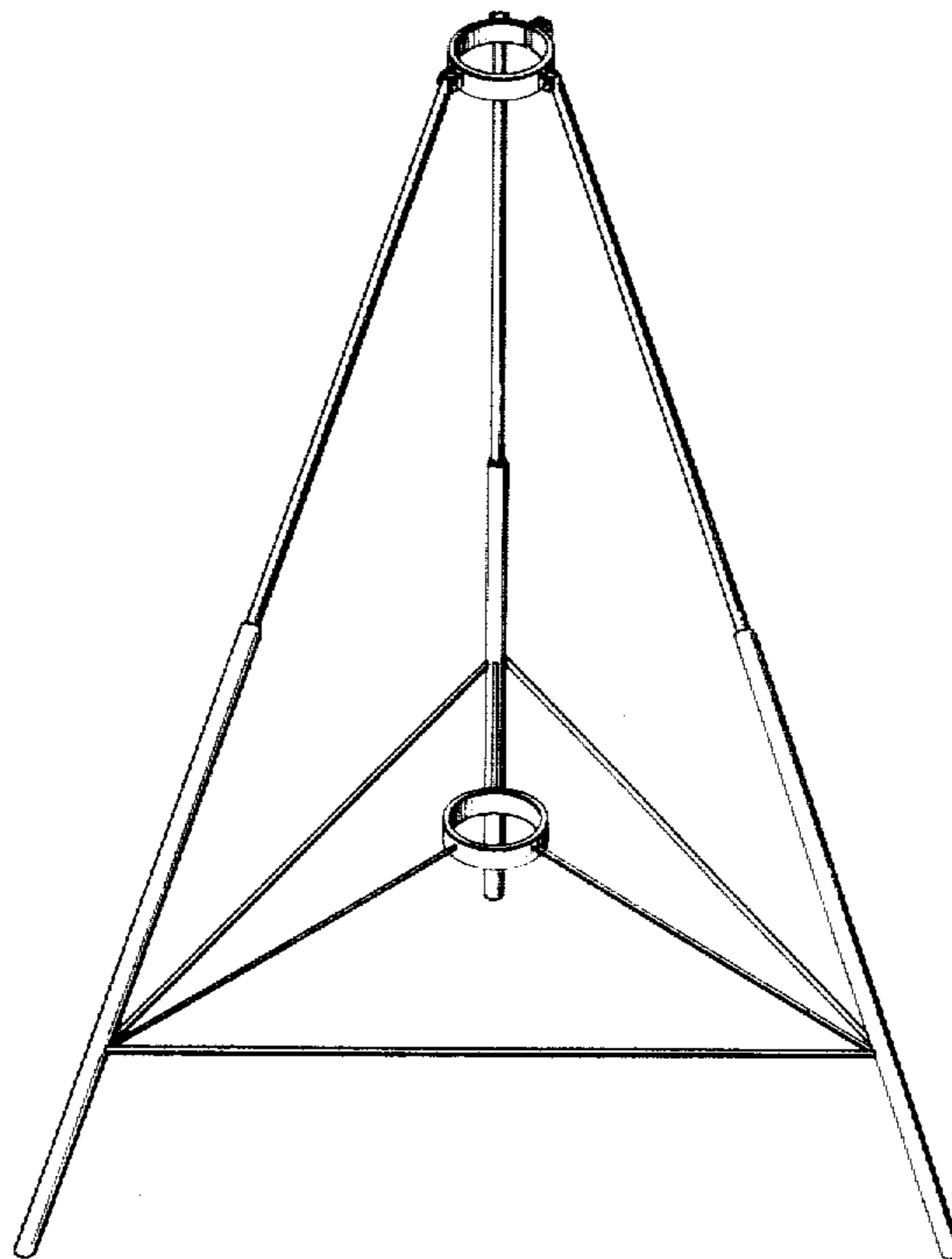
[57]

CLAIM

The ornamental design for a tree stand, substantially as shown.

DESCRIPTION

FIG. 1 is a front perspective view showing my new design for a tree stand; and FIG. 2 is a top plan view thereof.



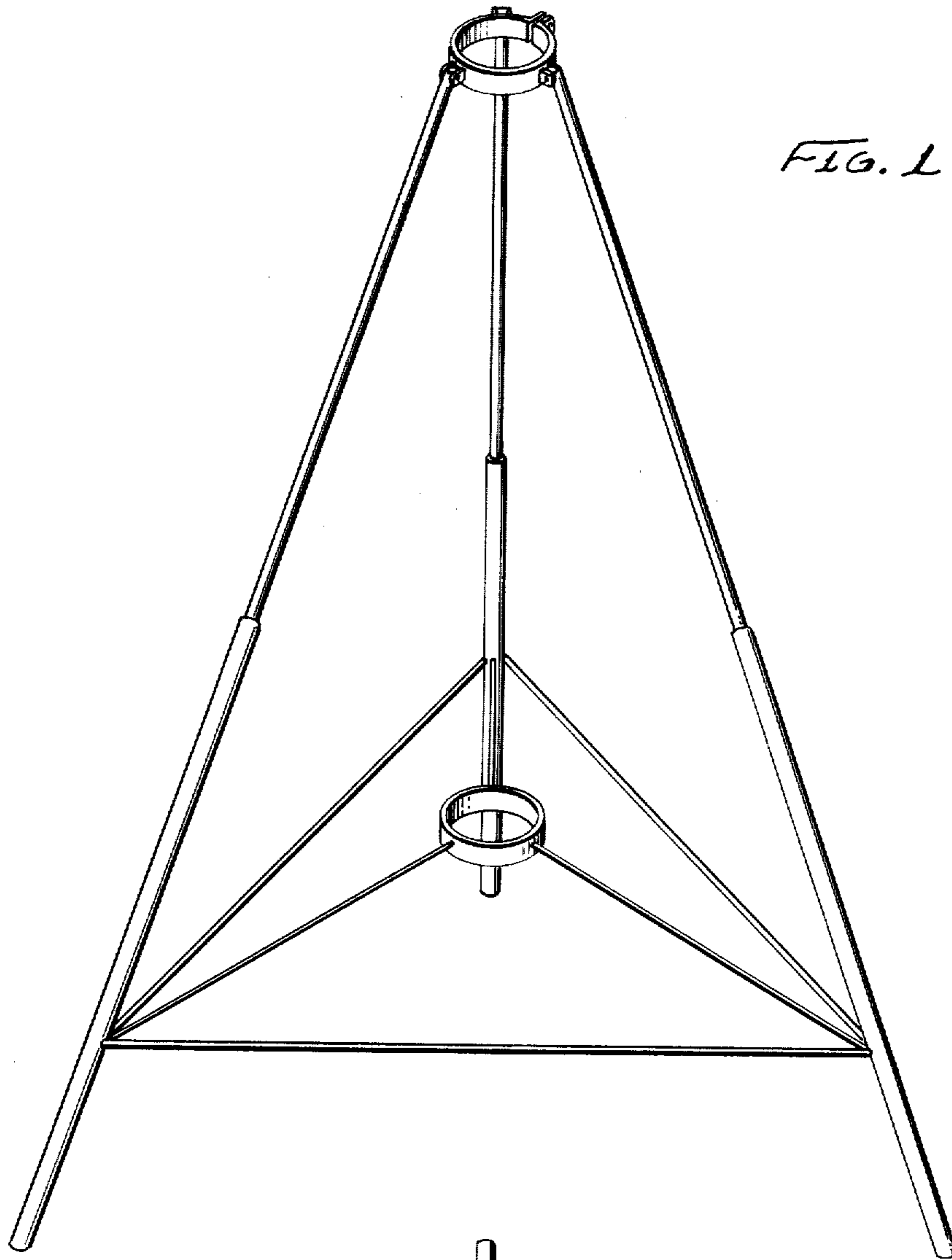


FIG. 1

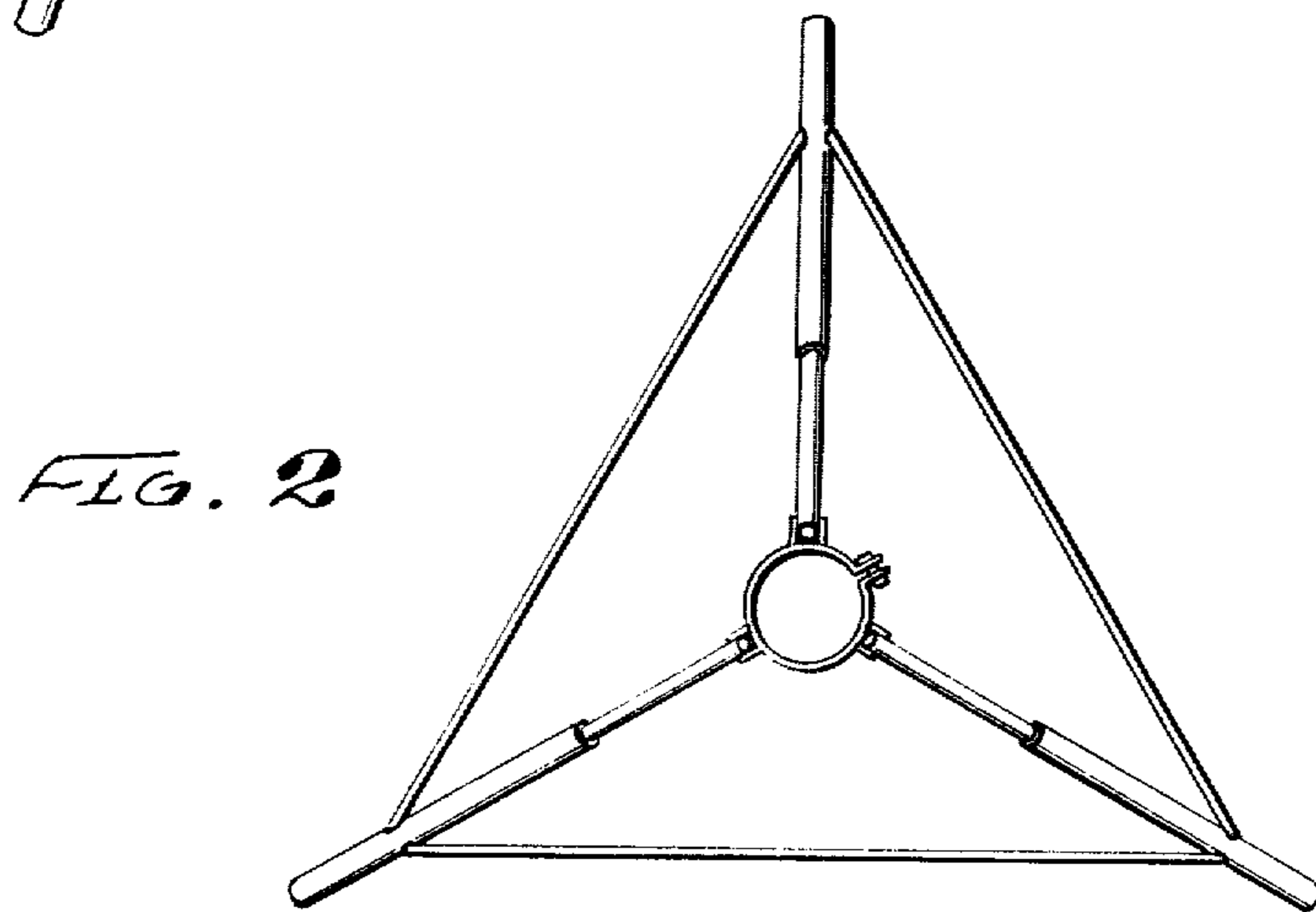


FIG. 2