

[54] WIRE HANDLING CART

[76] Inventors: Gary E. Smith, 3543 Norton Way; Edward D. Parks, 7755 Fair Oaks Dr., both of Pleasanton, Calif. 94566

[**] Term: 14 Years

[21] Appl. No.: 219,928

[22] Filed: Dec. 24, 1980

[51] Int. Cl. D12-02

[52] U.S. Cl. D34/24

[58] Field of Search D34/24, 26; 280/47.13, 280/47.17, 42.19, 47.24, 47.26; 242/86.5 R

[56] References Cited

U.S. PATENT DOCUMENTS

2,705,114 3/1955 Worsham 280/47.24

Primary Examiner—James M. Gandy

[57] CLAIM

The ornamental design for a wire handling cart, as shown and described.

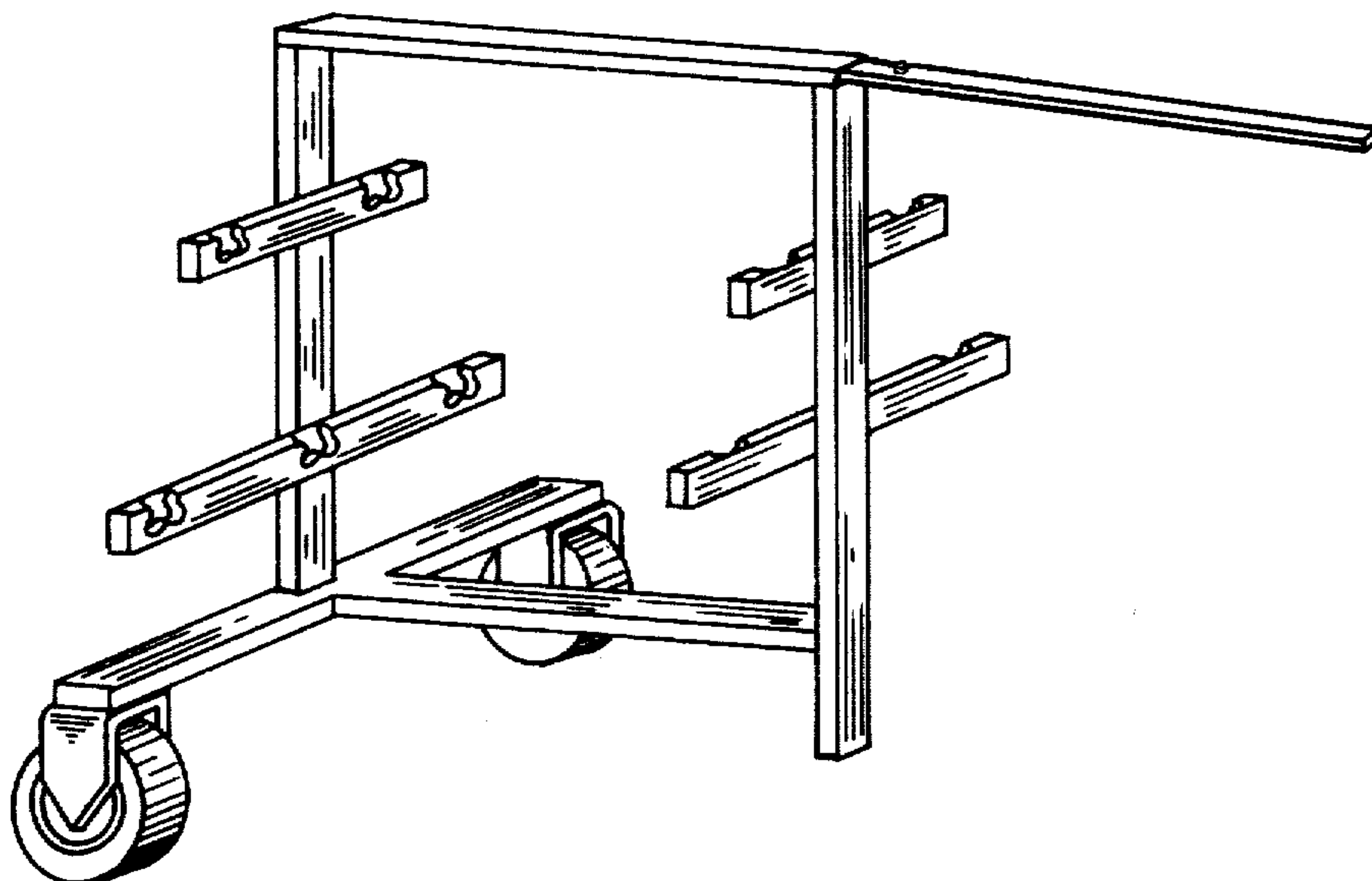
DESCRIPTION

FIG. 1 is a perspective view of a wire handling cart, showing our new design, the broken lines being for illustrative purposes only;

FIG. 2 is an end elevational view thereof;

FIG. 3 is an enlarged fragmentary perspective view of the upper end of the frame thereof showing the handle in extended condition with a portion of the frame cut away to show the details of the internal structure;

FIG. 4 is an enlarged fragmentary perspective view of the upper end of the frame thereof opposite to that shown in FIG. 3 showing the handle in retracted condition with a portion of the frame cut away to show the details of the internal structure.



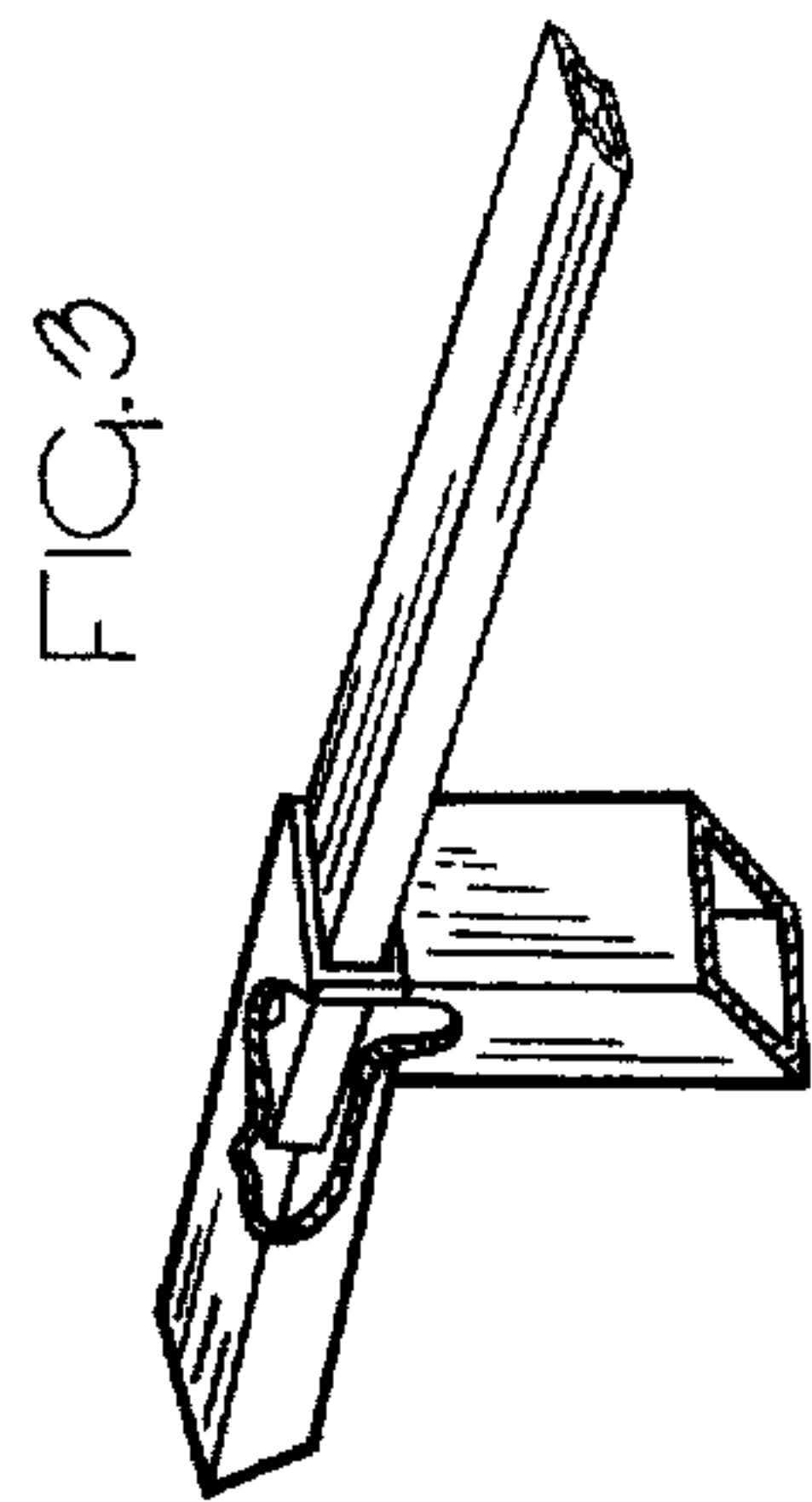


FIG. 3

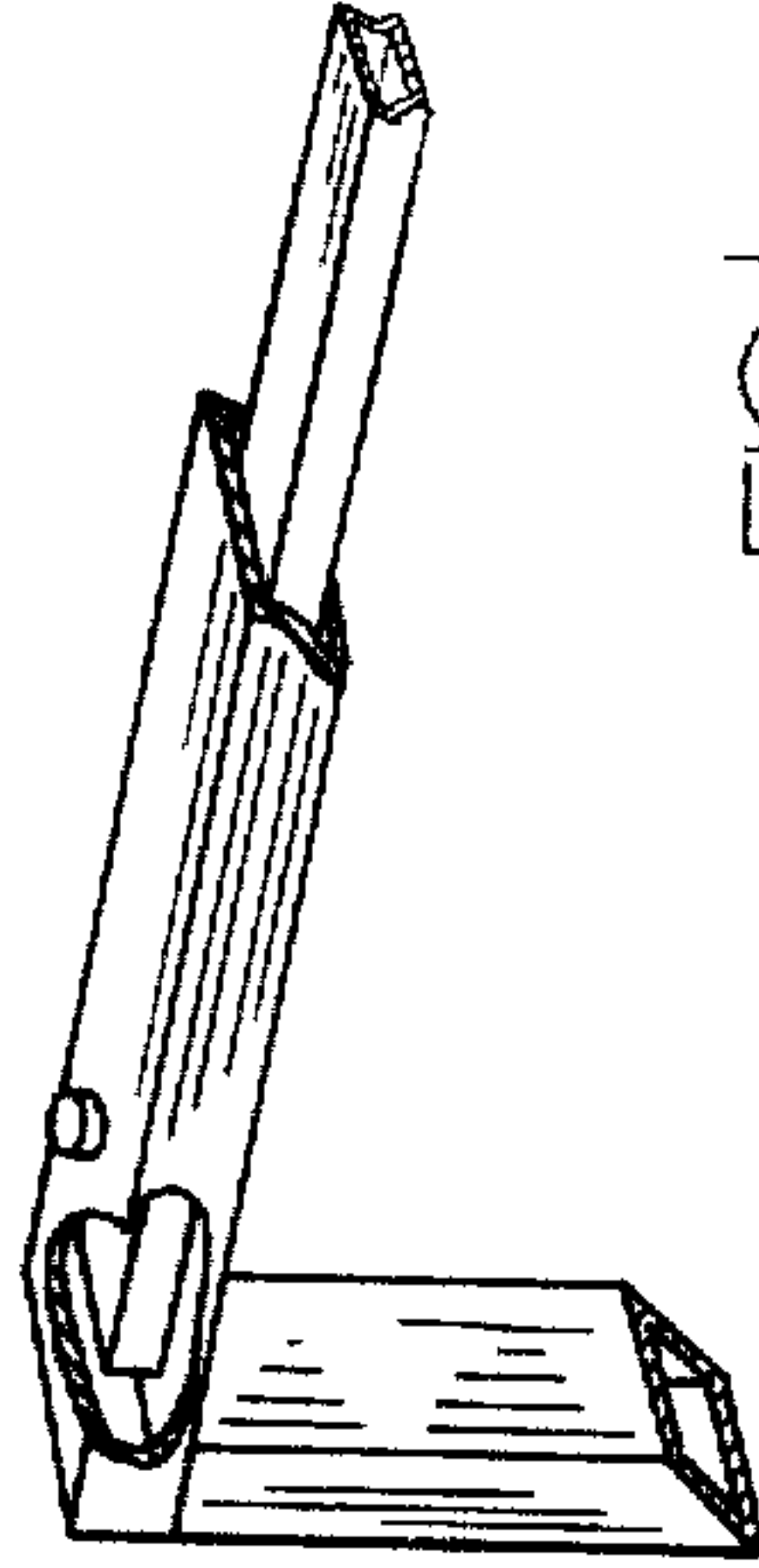


FIG. 4

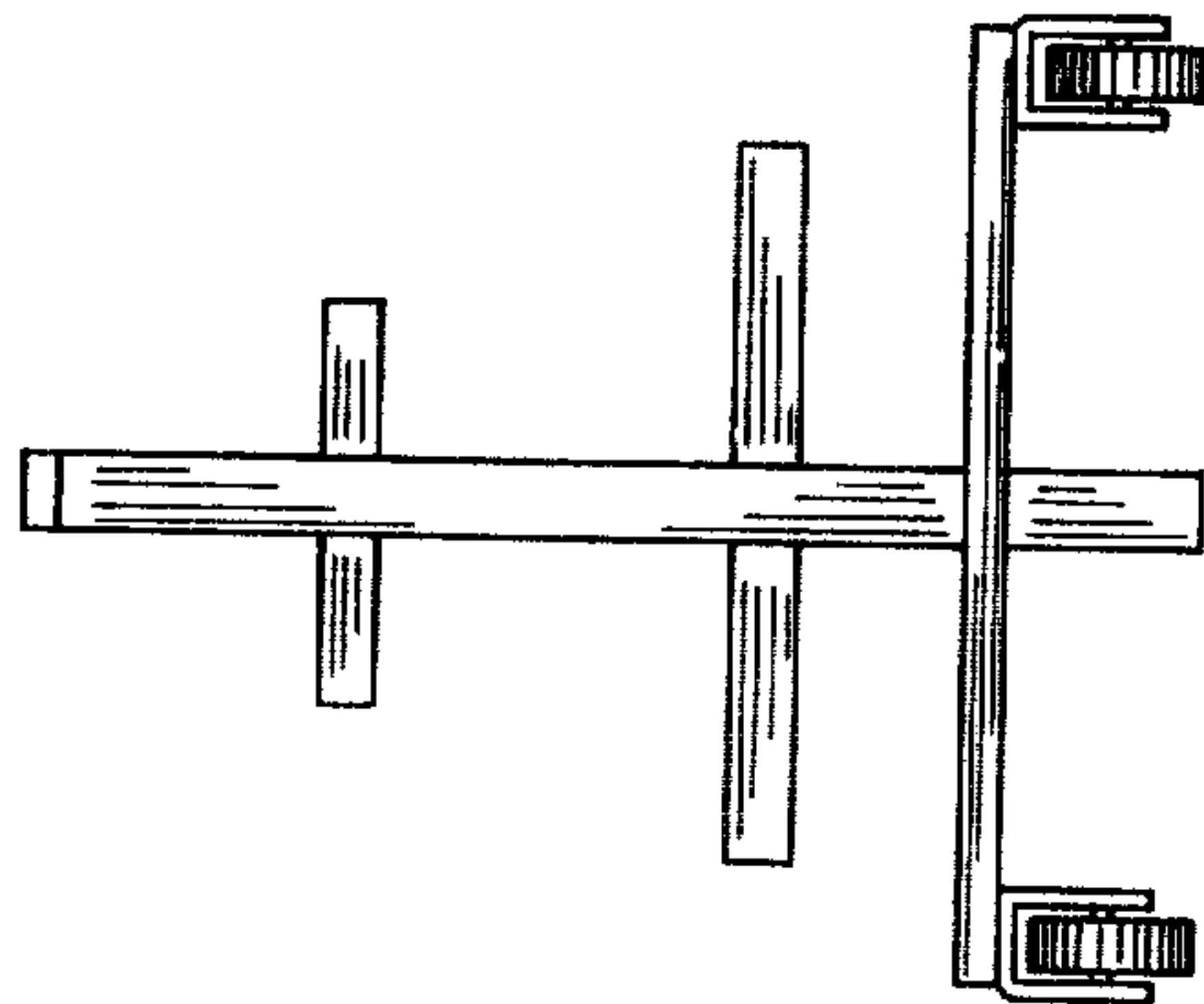


FIG. 2

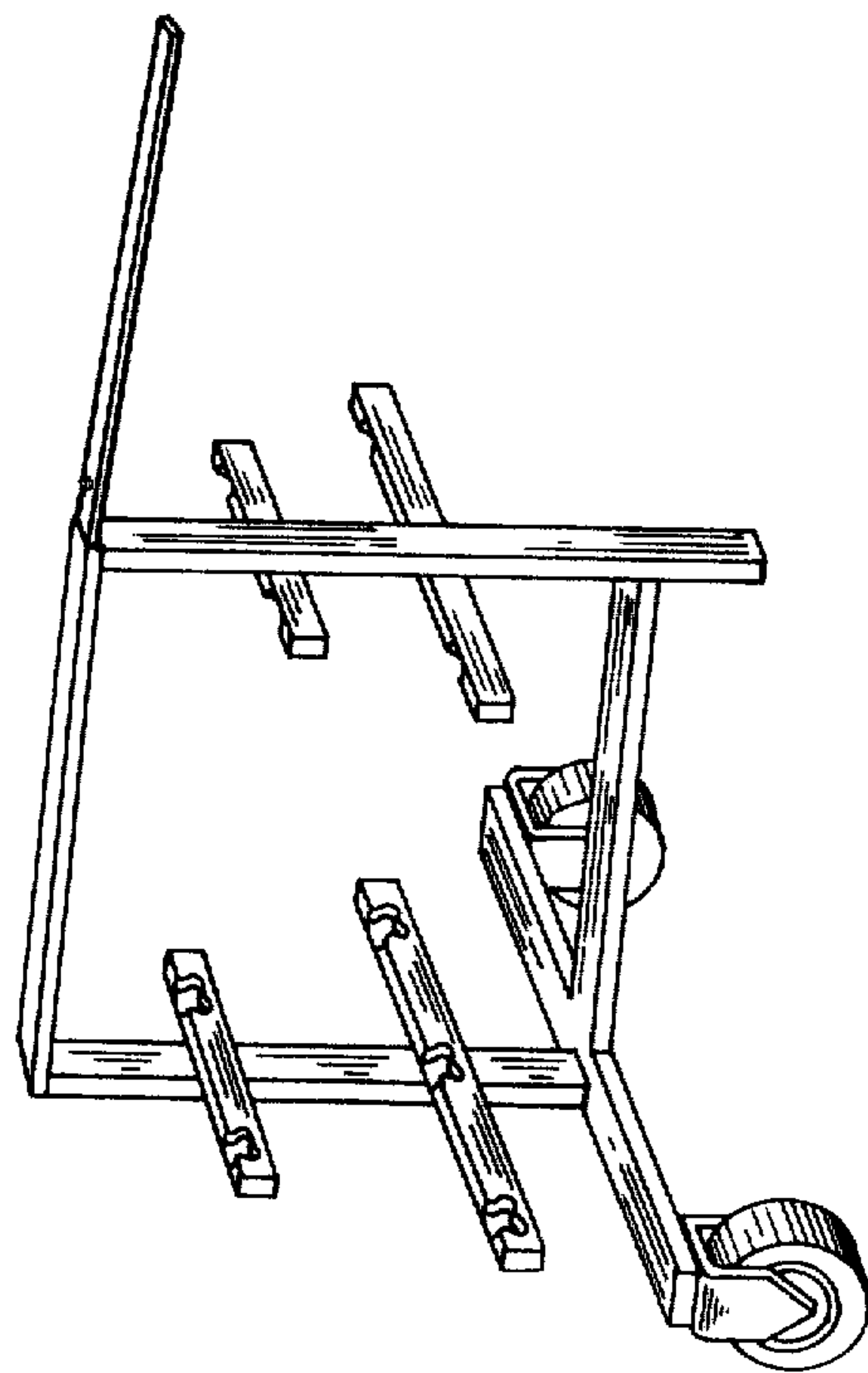


FIG. 1