

[54] **HOLDER FOR A HAND SCRUBBER**

[75] Inventor: **Donald R. McClelland**, Wooster, Ohio  
[73] Assignee: **Rubbermaid Incorporated**, Wooster, Ohio  
[\*\*] Term: **14 Years**  
[21] Appl. No.: **270,251**  
[22] Filed: **Jun. 4, 1981**

[51] Int. Cl. .... **D7—05**  
[52] U.S. Cl. .... **D32/52**  
[58] Field of Search ..... **D32/40, 52; 15/209 R, 15/209 B, 209 C, 209 D, 244, 210 R**

[56] **References Cited**

**U.S. PATENT DOCUMENTS**

D. 236,071 7/1975 Zemke ..... **D32/52**  
3,010,133 11/1961 Hurd ..... **15/244 R X**

**FOREIGN PATENT DOCUMENTS**

1322322 7/1973 United Kingdom ..... **15/210 R**

*Primary Examiner*—Catherine E. Kemper  
*Attorney, Agent, or Firm*—Hamilton, Renner & Kenner

[57] **CLAIM**

The ornamental design for a holder for a hand scrubber, as shown and described.

**DESCRIPTION**

FIG. 1 is a front perspective view of a holder for a hand scrubber, showing my new design; FIG. 2 is a side elevation thereof. FIG. 3 is a rear elevation thereof. The side opposite to that shown in FIG. 1 is a mirror image thereof. The broken line disclosure of a scrub pad is for illustrative purposes only and forms no part of the claimed design.

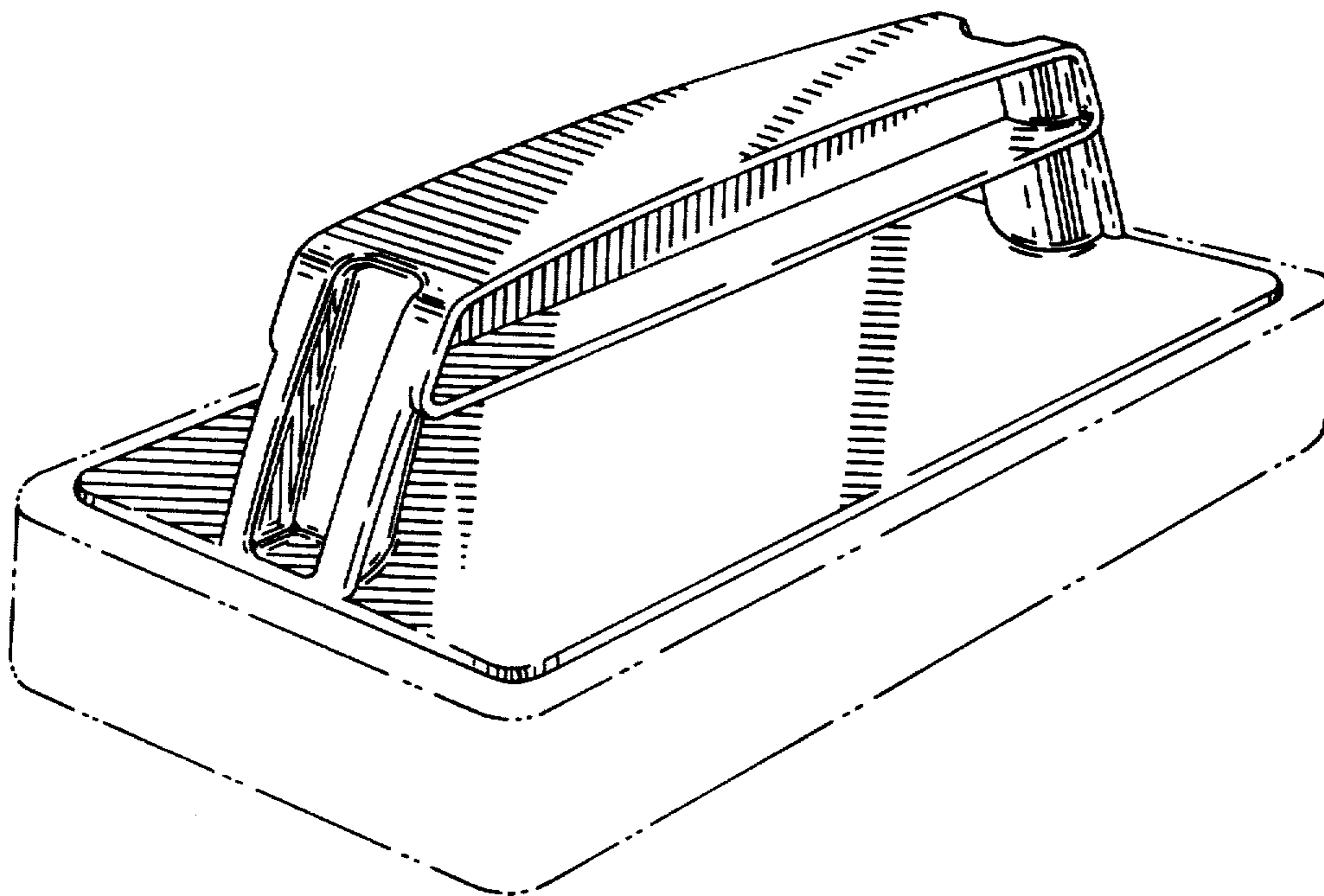


FIG. 1

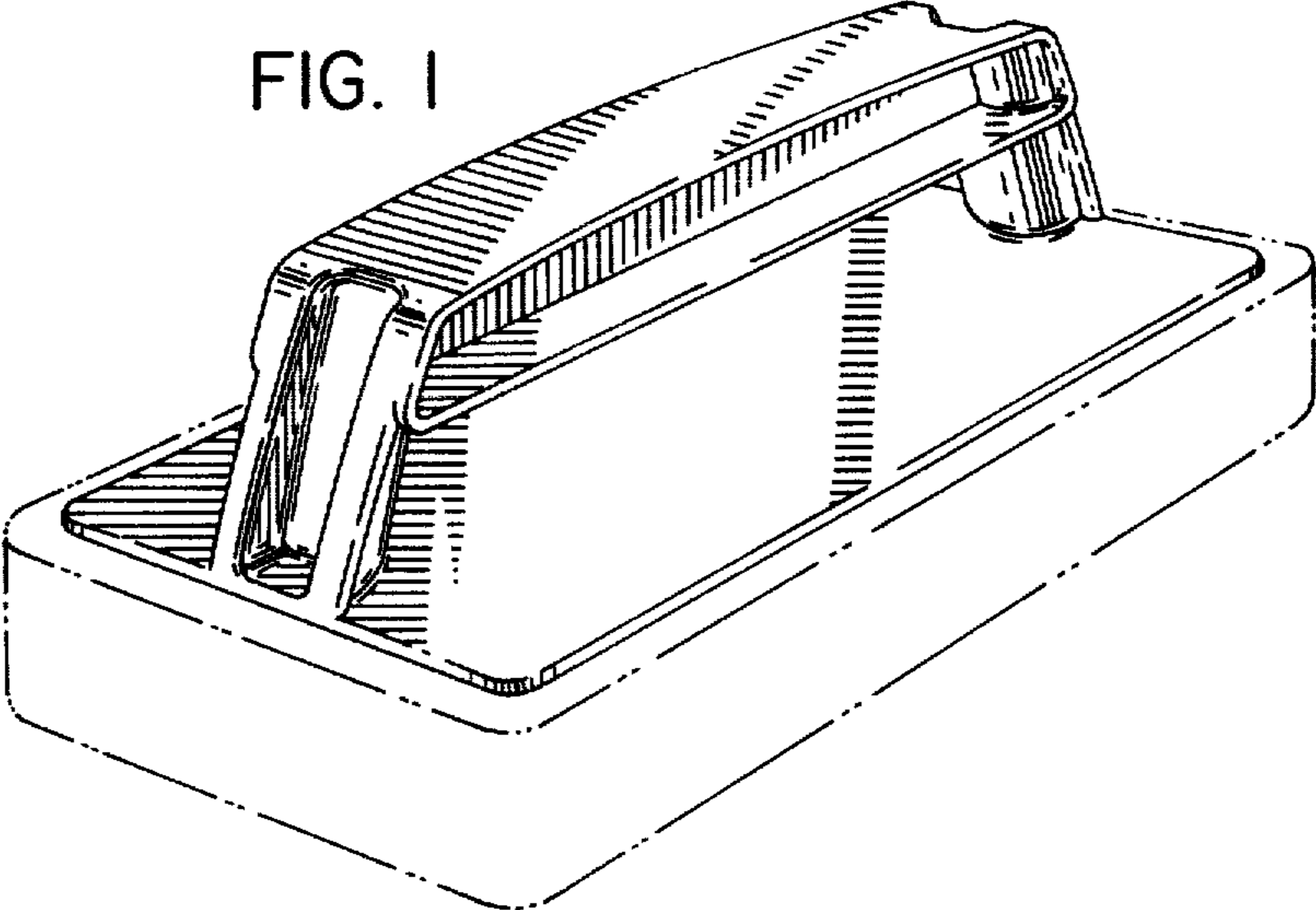


FIG. 2

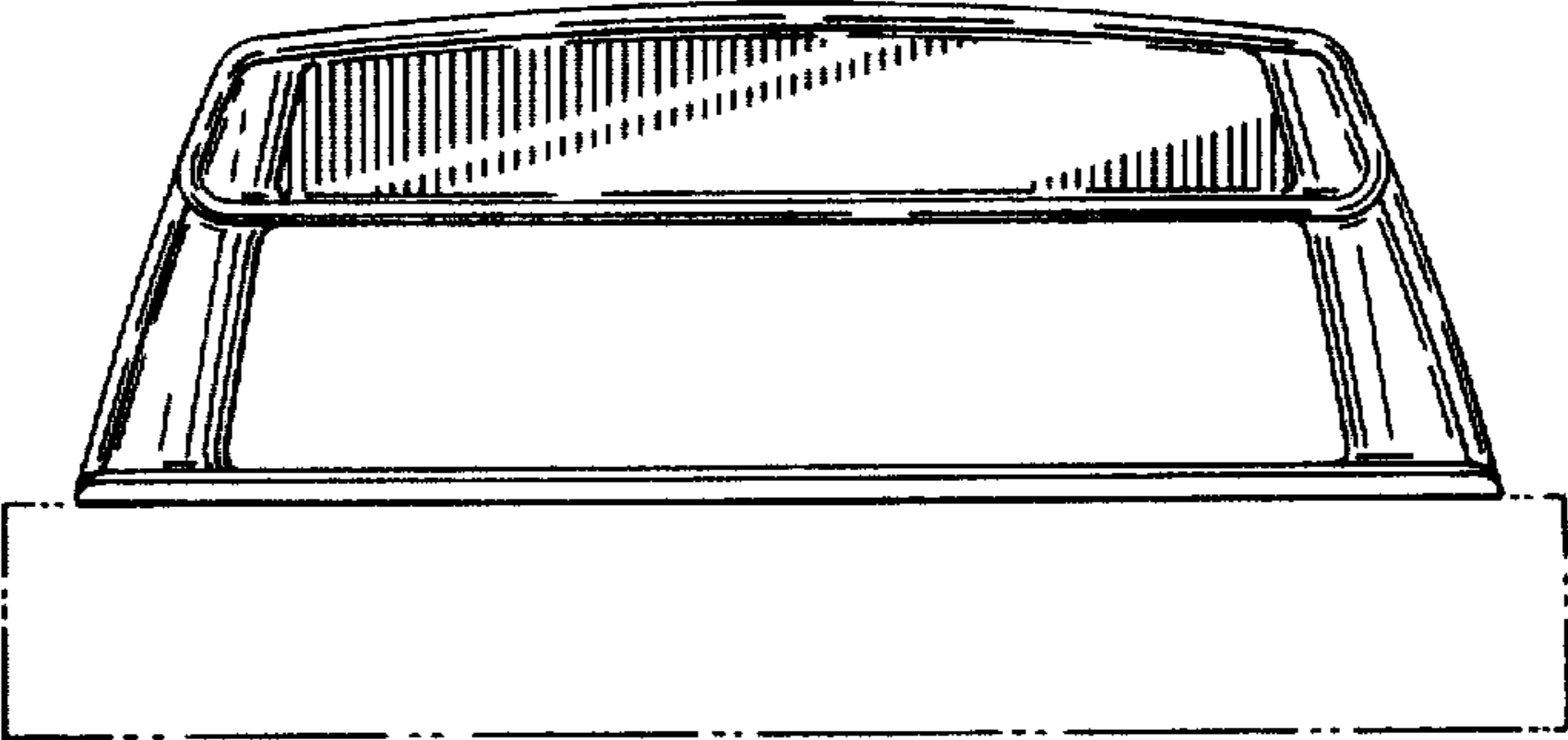


FIG. 3

