

[54] **INTERLOCKING FLUME PLATFORM
PANEL FOR ANIMAL CONFINEMENT
PENS**

[76] Inventor: **Richard E. Bunger, 5202 E.
Washington St., Phoenix, Ariz.
85034**

[**] Term: **14 Years**

[21] Appl. No.: **267,002**

[22] Filed: **May 26, 1981**

[51] Int. Cl. **D30—02**

[52] U.S. Cl. **D30/2**

[58] Field of Search **D30/1, 2, 99; 119/28;
D25/80, 92, 97**

[56] **References Cited**

U.S. PATENT DOCUMENTS

D. 26,443	12/1896	Fisko	D30/2
D. 238,898	2/1976	Landis et al.	D25/92 X
D. 253,249	10/1979	Linmergard et al.	D25/92
D. 253,250	10/1979	Linmergard et al.	D25/92
D. 254,993	5/1980	Bunger et al.	D30/2
D. 255,947	7/1980	Bunger et al.	D30/2
D. 259,285	5/1981	Bunger	D30/2
D. 259,286	5/1981	Bunger	D30/2
D. 259,287	5/1981	Bunger	D30/2
D. 259,288	5/1981	Bunger	D30/2
D. 259,289	5/1981	Bunger	D30/2
D. 259,291	5/1981	Bunger	D30/2
D. 259,366	5/1981	Bunger	D30/2

D. 261,183	10/1981	Bunger et al.	D30/2
D. 261,184	10/1981	Bunger et al.	D30/2
D. 261,185	10/1981	Bunger et al.	D30/2
458,788	9/1891	Jungbluth	119/28
469,044	2/1892	Jungbluth	
3,224,414	12/1965	Conover	119/28
3,228,376	1/1976	Conover	119/28
3,699,926	10/1972	Stockl	119/28
3,771,495	11/1973	Stevenson et al.	119/28
3,859,962	1/1975	Kissinger	119/28
3,982,499	9/1976	Frankl	119/16
4,048,960	9/1977	Barnidge	119/28

Primary Examiner—James R. Largen
Attorney, Agent, or Firm—Warren F. B. Lindsley

[57] **CLAIM**

The ornamental design for a interlocking flume platform panel for animal confinement pens, as shown and described.

DESCRIPTION

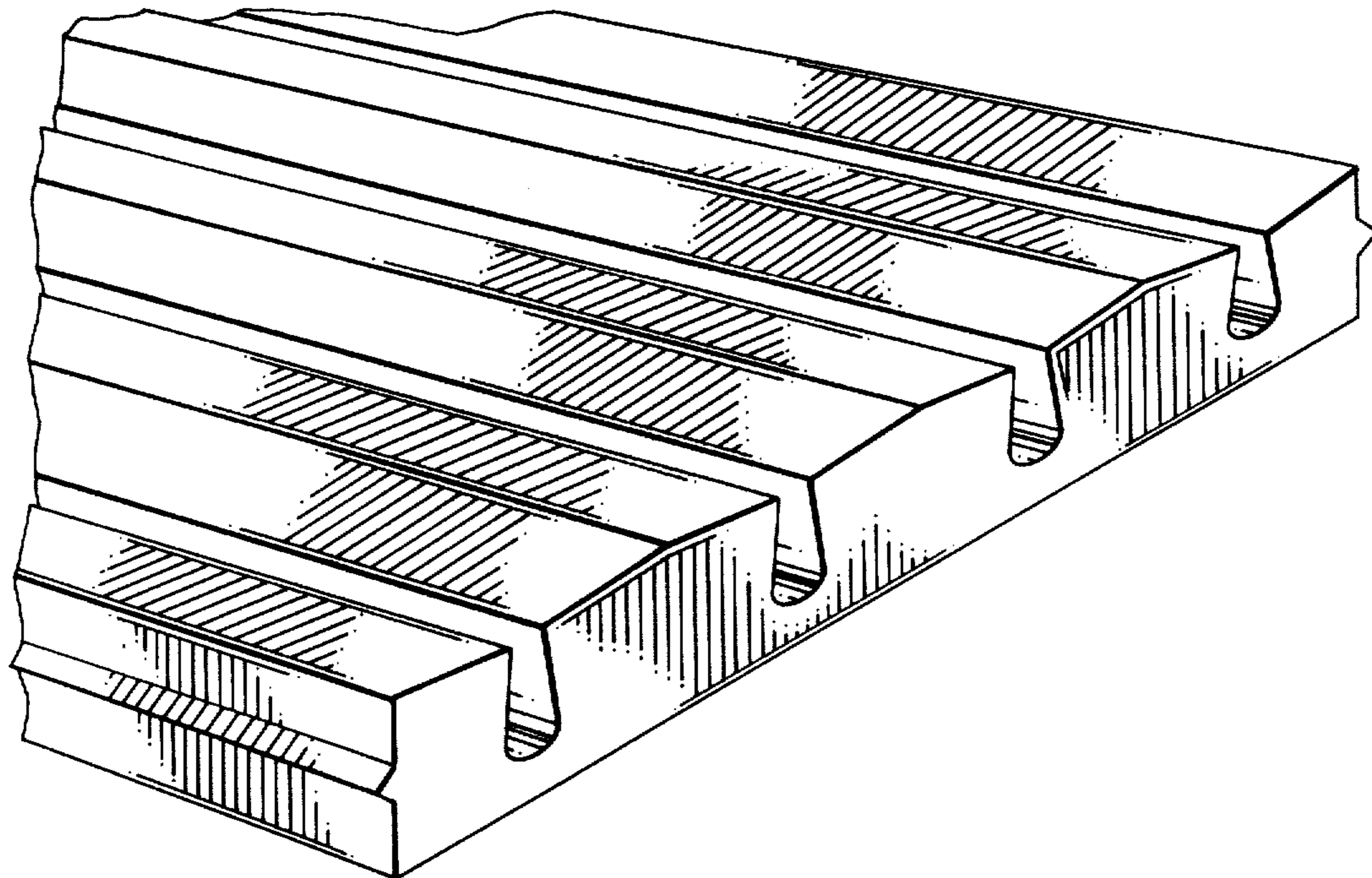
FIG. 1 is a fragmentary top perspective view of an interlocking flume platform panel for animal confinement pens showing my new design;

FIG. 2 is an elevational view taken from one side thereof; the opposite side being the same as the side shown;

FIG. 3 is a fragmentary top plan view thereof; and

FIG. 4 is a fragmentary bottom perspective view thereof.

The interlocking flume platform panel has been broken away in FIG. 2 to indicate indeterminate length.



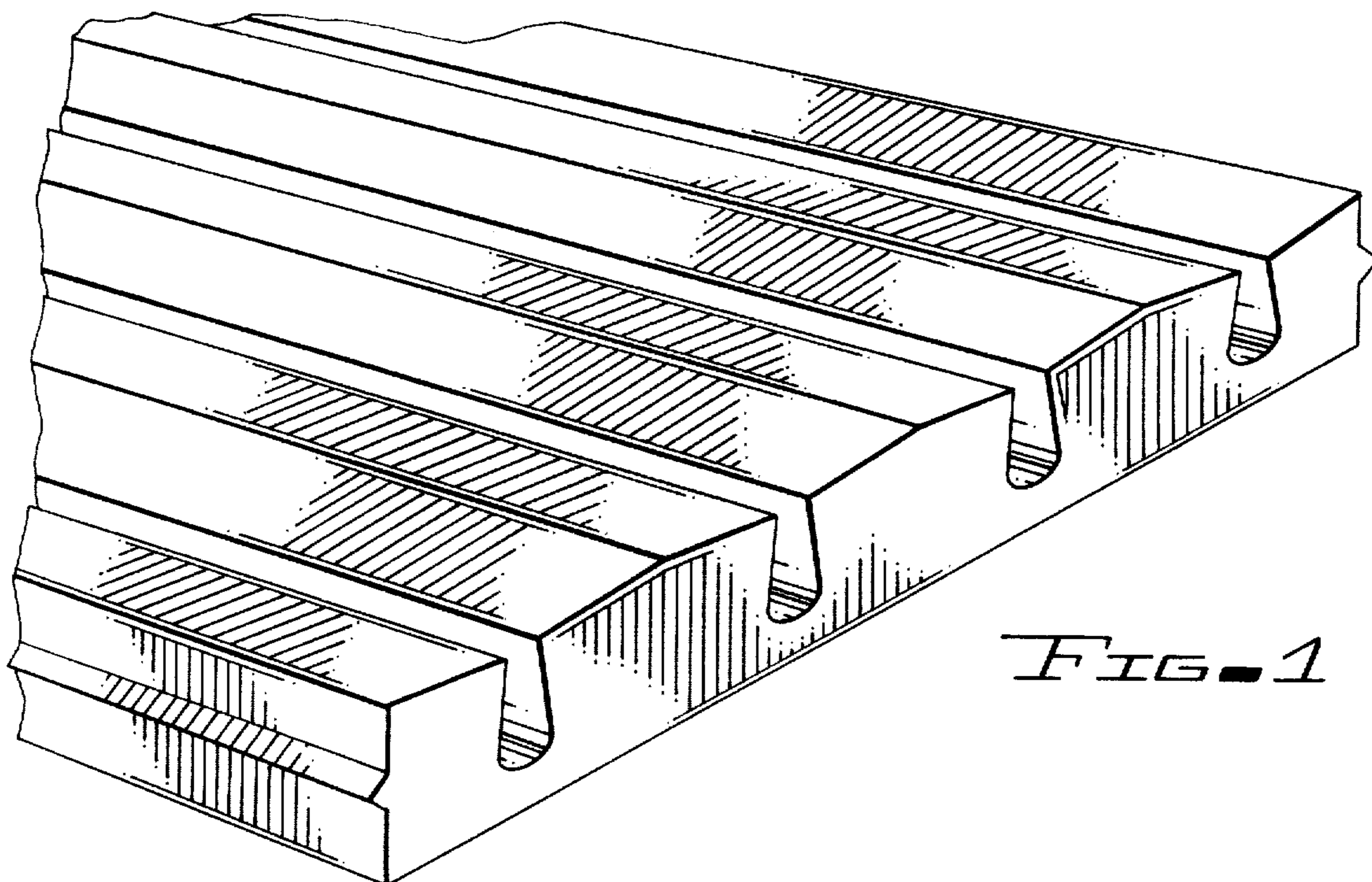


FIG. 1

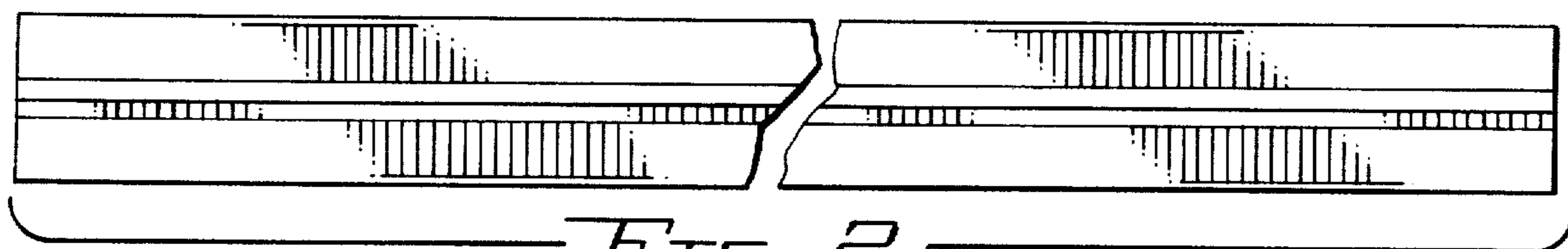


FIG. 2

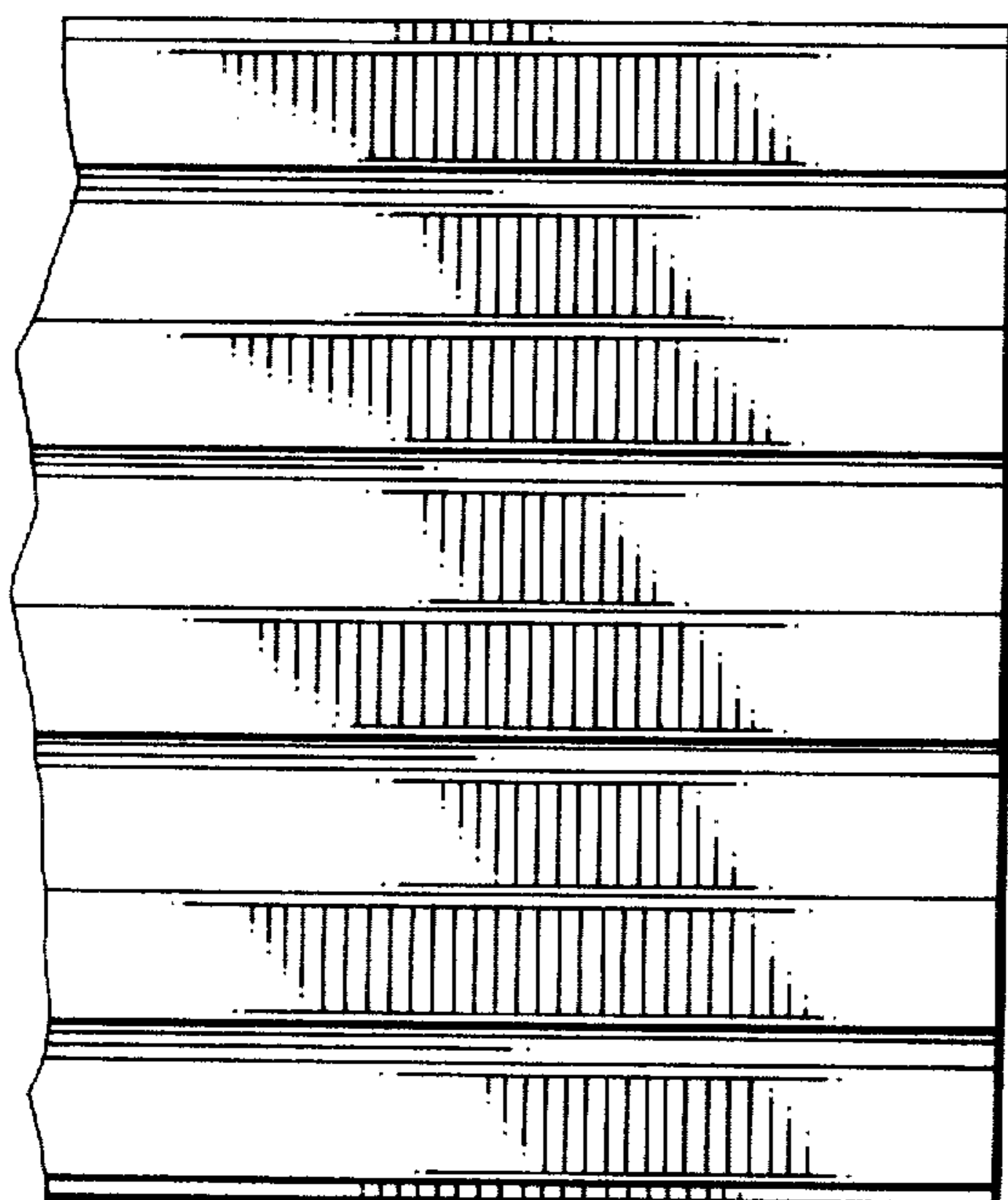


FIG. 3

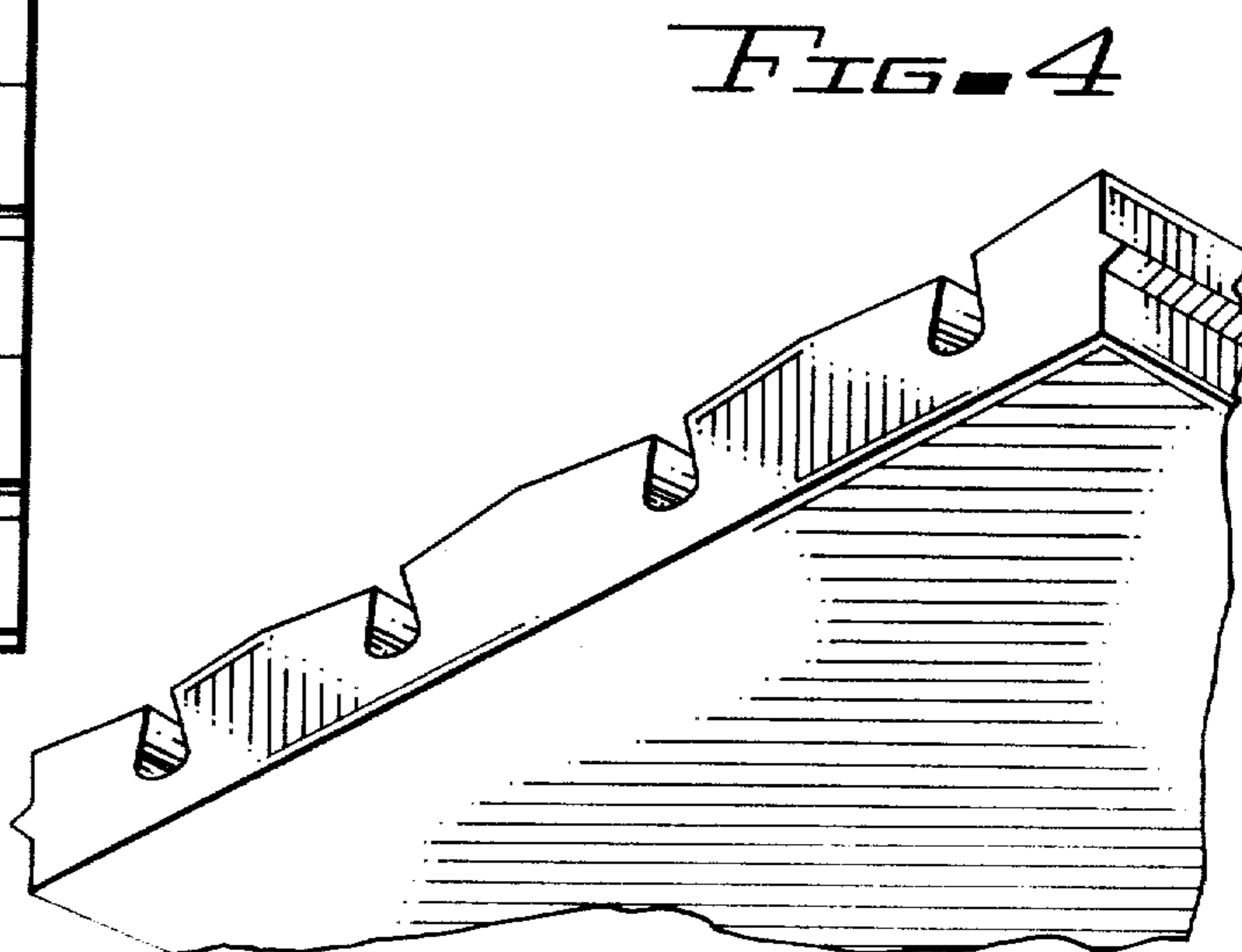


FIG. 4