

[54] **WINDOW SECURITY GRATING**

[76] **Inventor:** Thomas G. d'Avila, P.O. Box 9246,
Denver, Colo. 80203

[**] **Term:** 14 Years

[21] **Appl. No.:** 181,197

[22] **Filed:** Aug. 25, 1980

[51] **Int. Cl.** D25-02

[52] **U.S. Cl.** D25/53; D25/40;
D25/87; D25/89

[58] **Field of Search** D25/71, 89, 88, 87,
D25/53, 38, 40, 50; 52/659, 663; 49/50, 57;
160/104, 89

[56] **References Cited**

U.S. PATENT DOCUMENTS

D. 82,778	12/1930	Armstrong	D25/89
D. 193,249	7/1962	O'Donoghue	D25/40
D. 194,454	1/1963	Smith	D25/48 X
2,476,689	7/1949	Wakefield	D25/71 X
2,657,746	11/1953	Macklanburg	D25/71 X

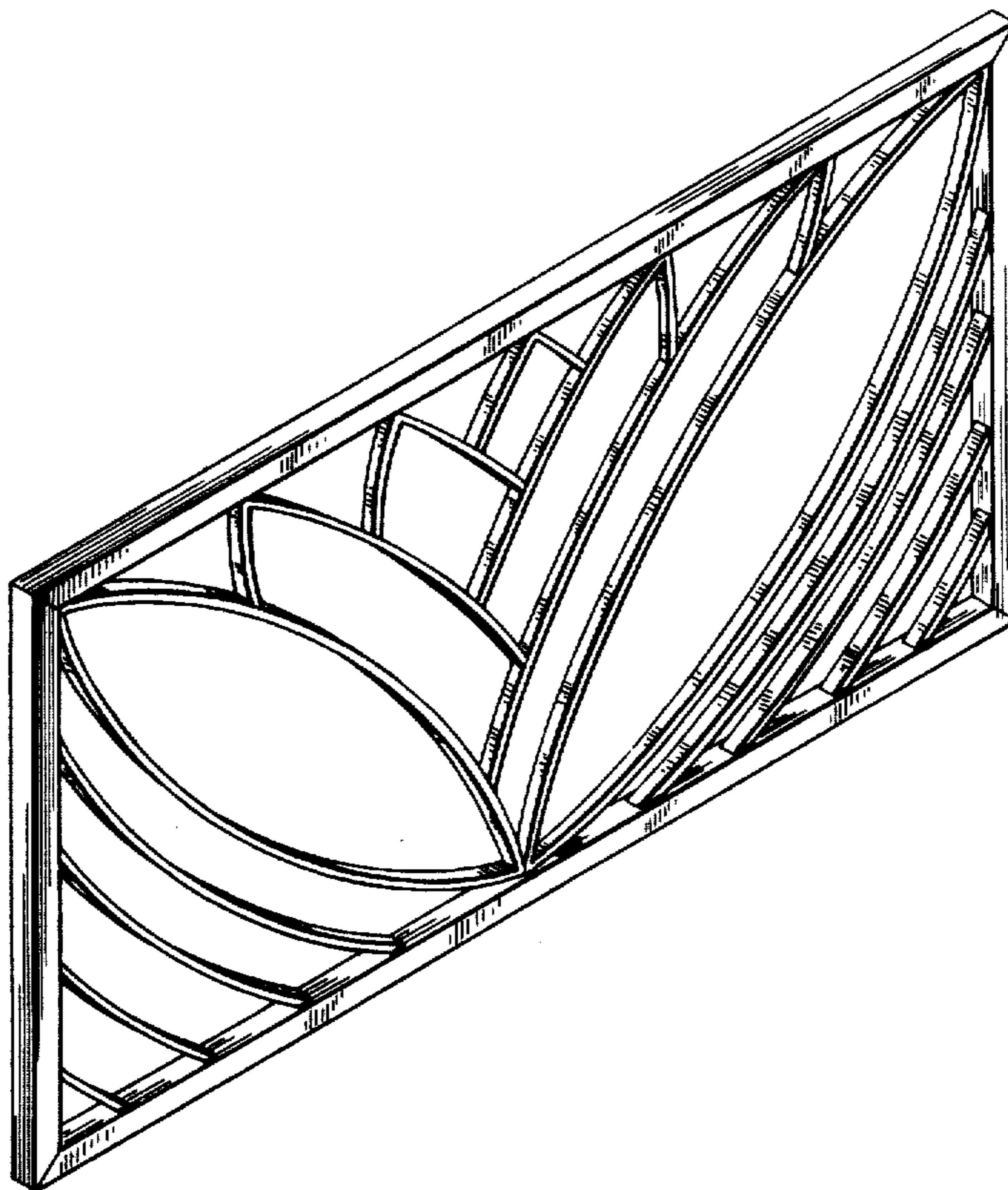
Primary Examiner—A. Hugo Word
Attorney, Agent, or Firm—Timothy J. Martin; James R. Young

[57] **CLAIM**

The ornamental design for a window security grating, as shown and described.

DESCRIPTION

FIG. 1 is a perspective view of a window security grating showing my new design;
FIG. 2 is a front elevational view thereof;
FIG. 3 is a top plan view thereof; and
FIG. 4 is a side elevational view thereof.



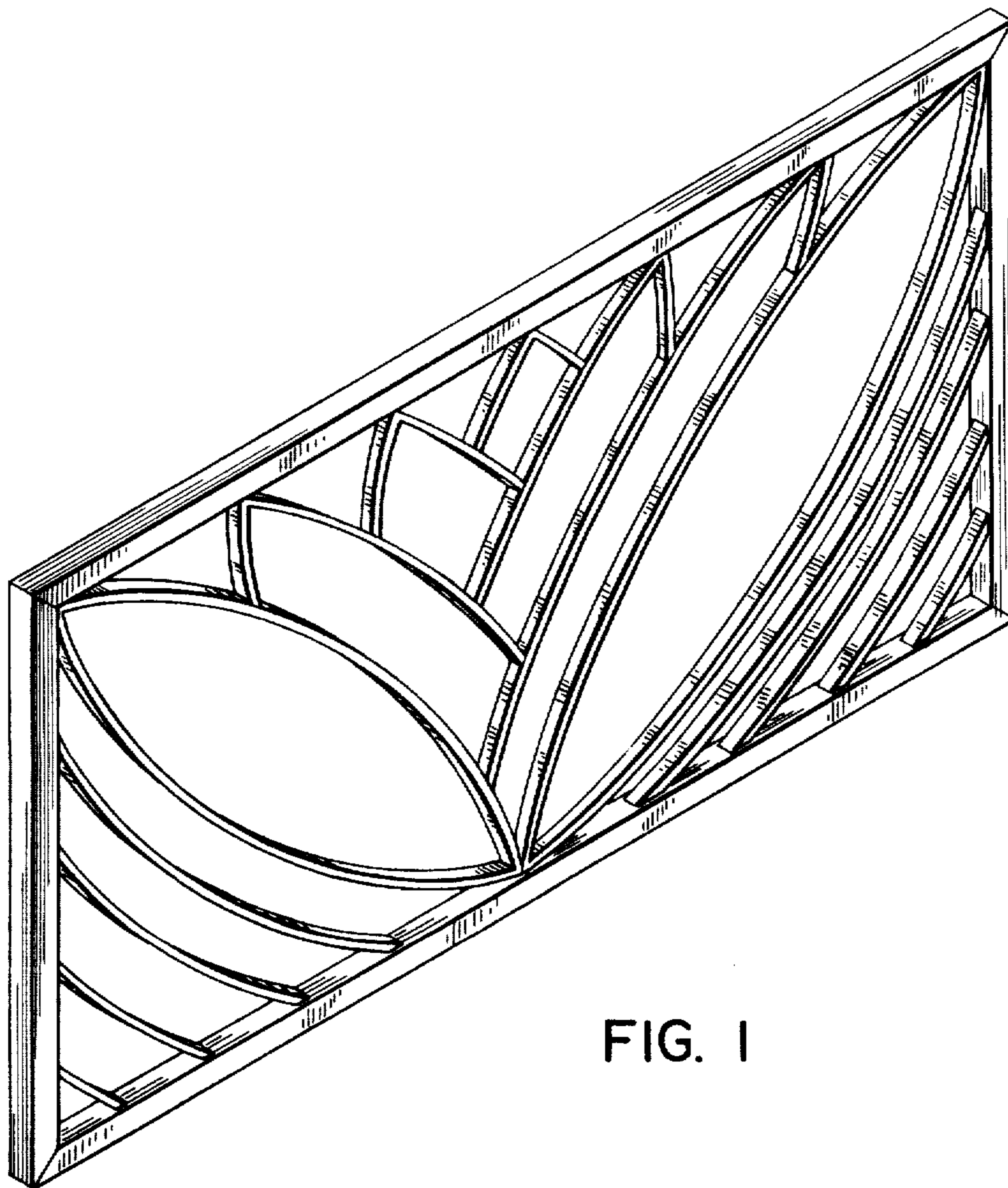


FIG. 1

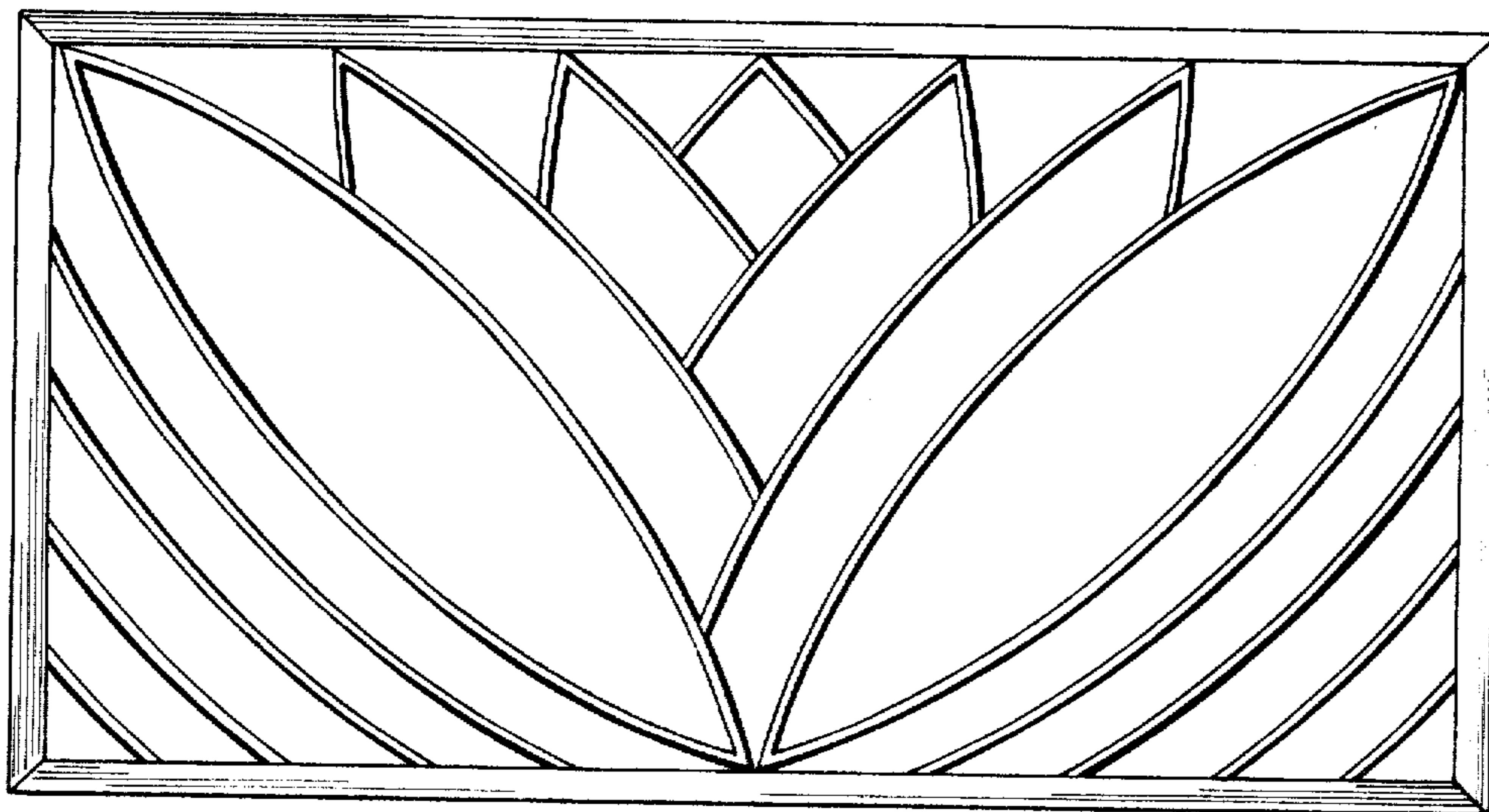


FIG. 2

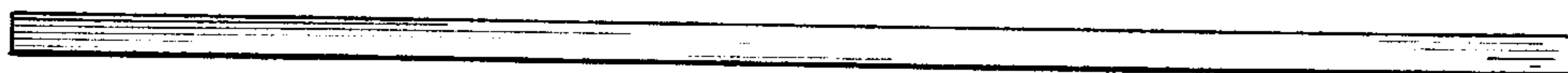


FIG. 3



FIG. 4