

[54] FREE STANDING STOVE

[76] Inventor: Janice E. Schrader, 2296 Debra Dr., Springfield, Oreg. 97477

[**] Term: 14 Years

[21] Appl. No.: 293,151

[22] Filed: Aug. 17, 1981

[51] Int. Cl. D23-03

[52] U.S. Cl. D23/97

[58] Field of Search D23/92, 97; 126/120, 126/121, 126, 128, 58, 60-66

[56] References Cited

U.S. PATENT DOCUMENTS

- D. 255,710 7/1980 Heine D23/97
- D. 264,373 5/1982 Chamberlain D23/97
- D. 265,339 7/1982 Baughman D23/97

Primary Examiner—Catherine E. Kemper
Attorney, Agent, or Firm—Klarquist, Sparkman,
Campbell, Leigh, Winston & Dellett

[57] CLAIM

The ornamental design for a free standing stove, as shown and described.

DESCRIPTION

FIG. 1 is a right front perspective view of a stove, showing my new design;

FIG. 2 is a front elevational view thereof;

FIG. 3 is a rear elevational view thereof;

FIG. 4 is a sectional view thereof taken along line 4—4 of FIG. 5;

FIG. 5 is a right side elevational view thereof;

FIG. 6 is a left side elevational view thereof;

FIG. 7 is a top plan view thereof;

FIG. 8 is a bottom plan view thereof;

FIG. 9 is a sectional view taken along line 9—9 of FIG. 2.

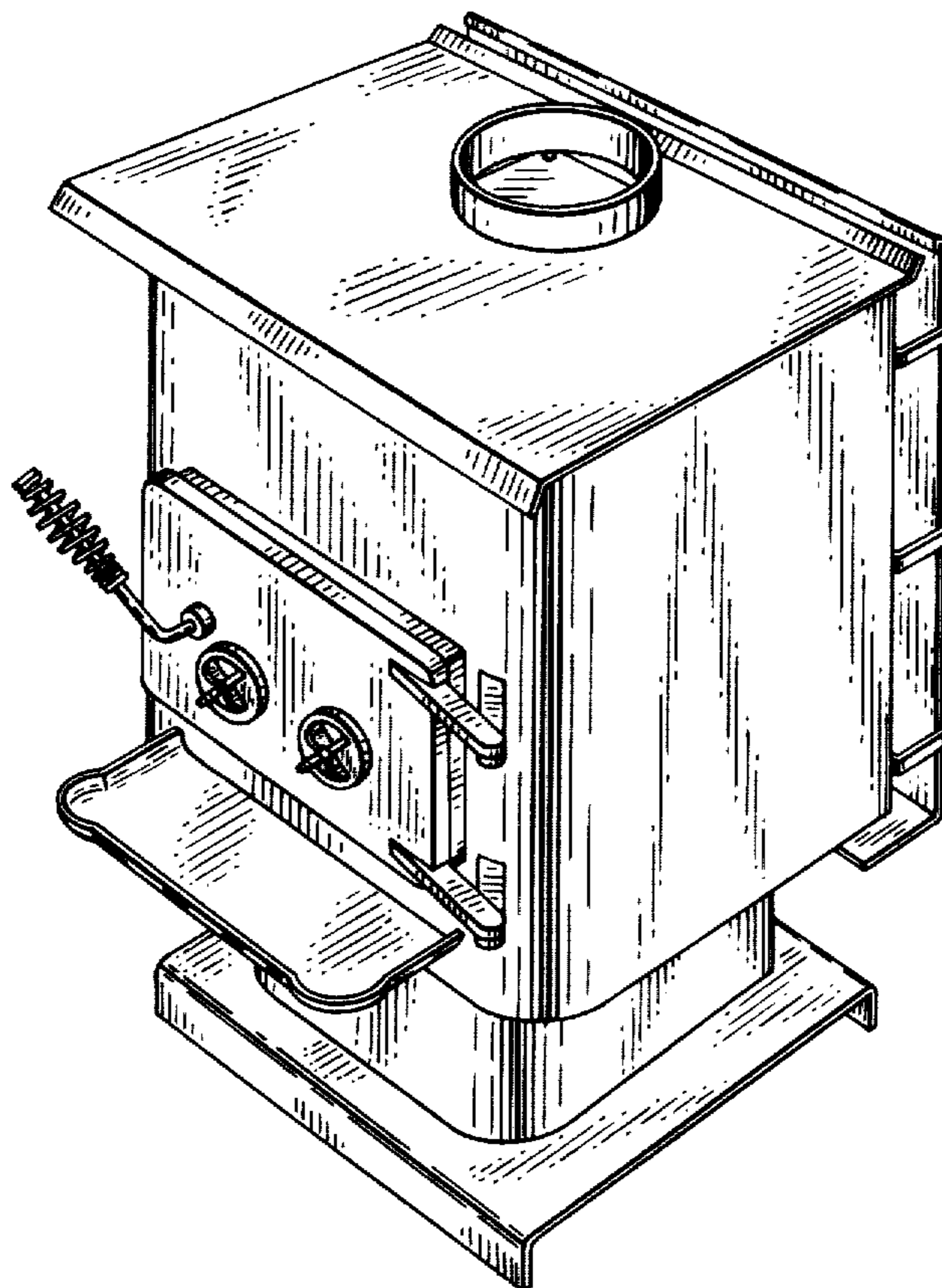


FIG. 1

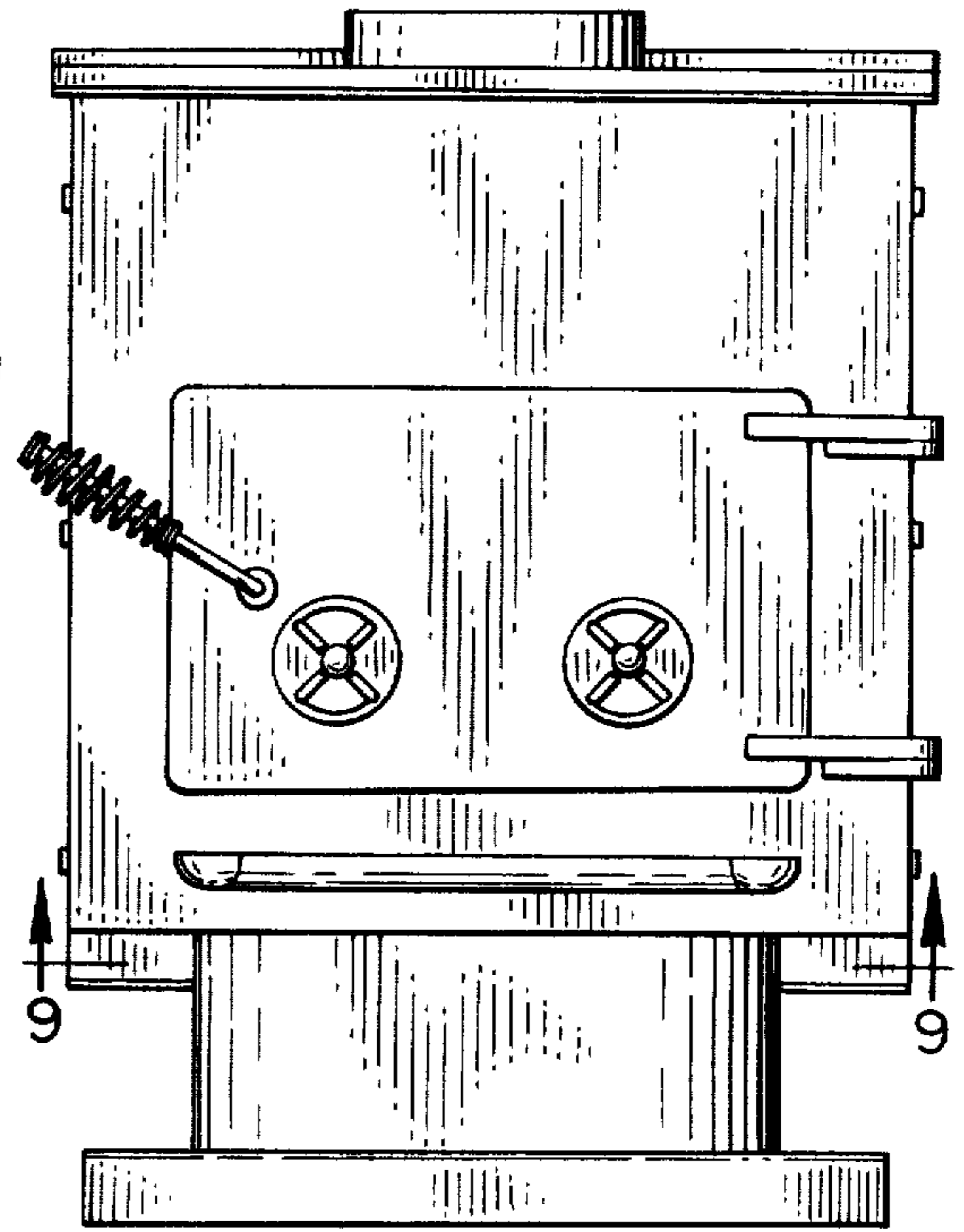
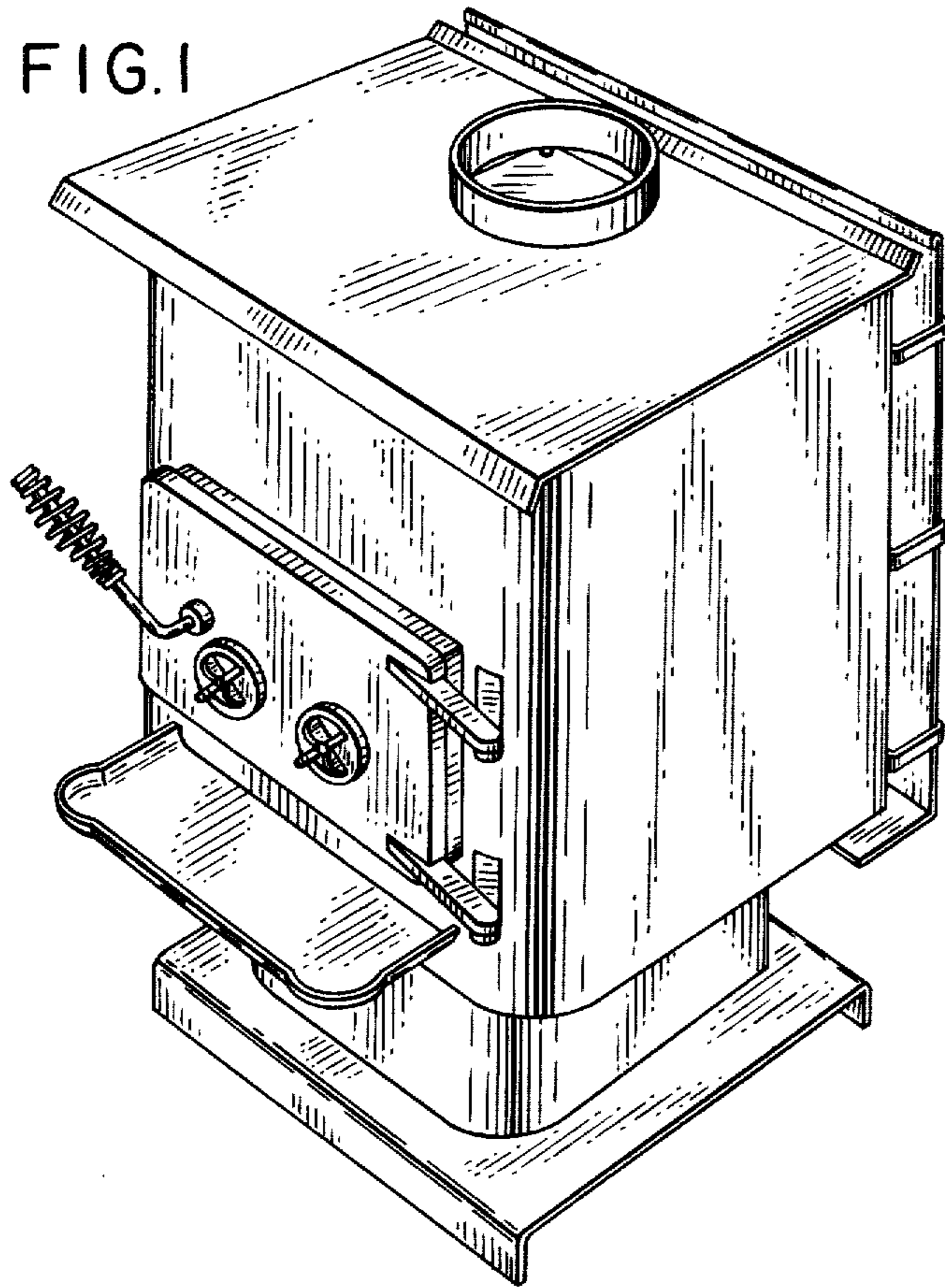


FIG. 2

FIG. 3

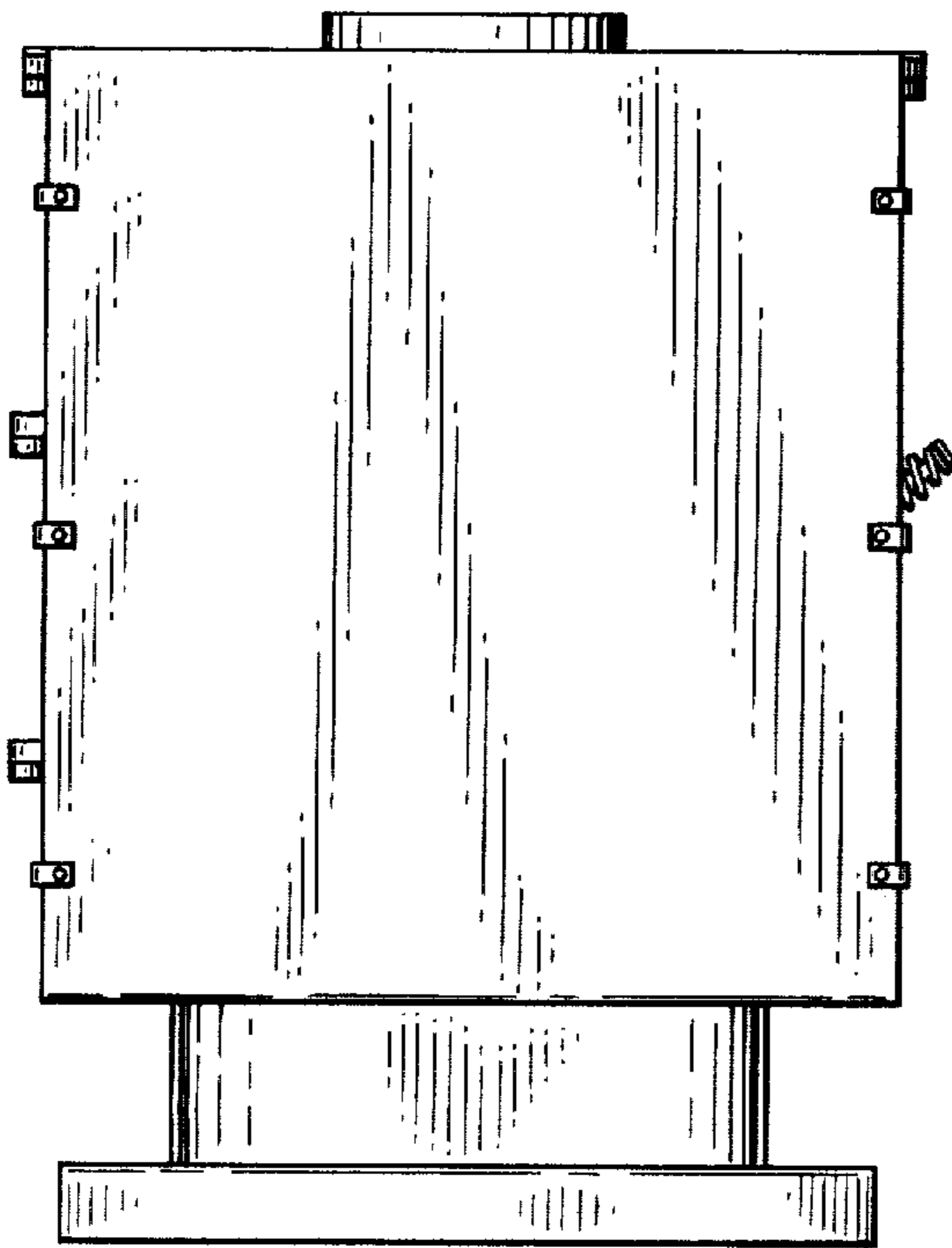


FIG. 4

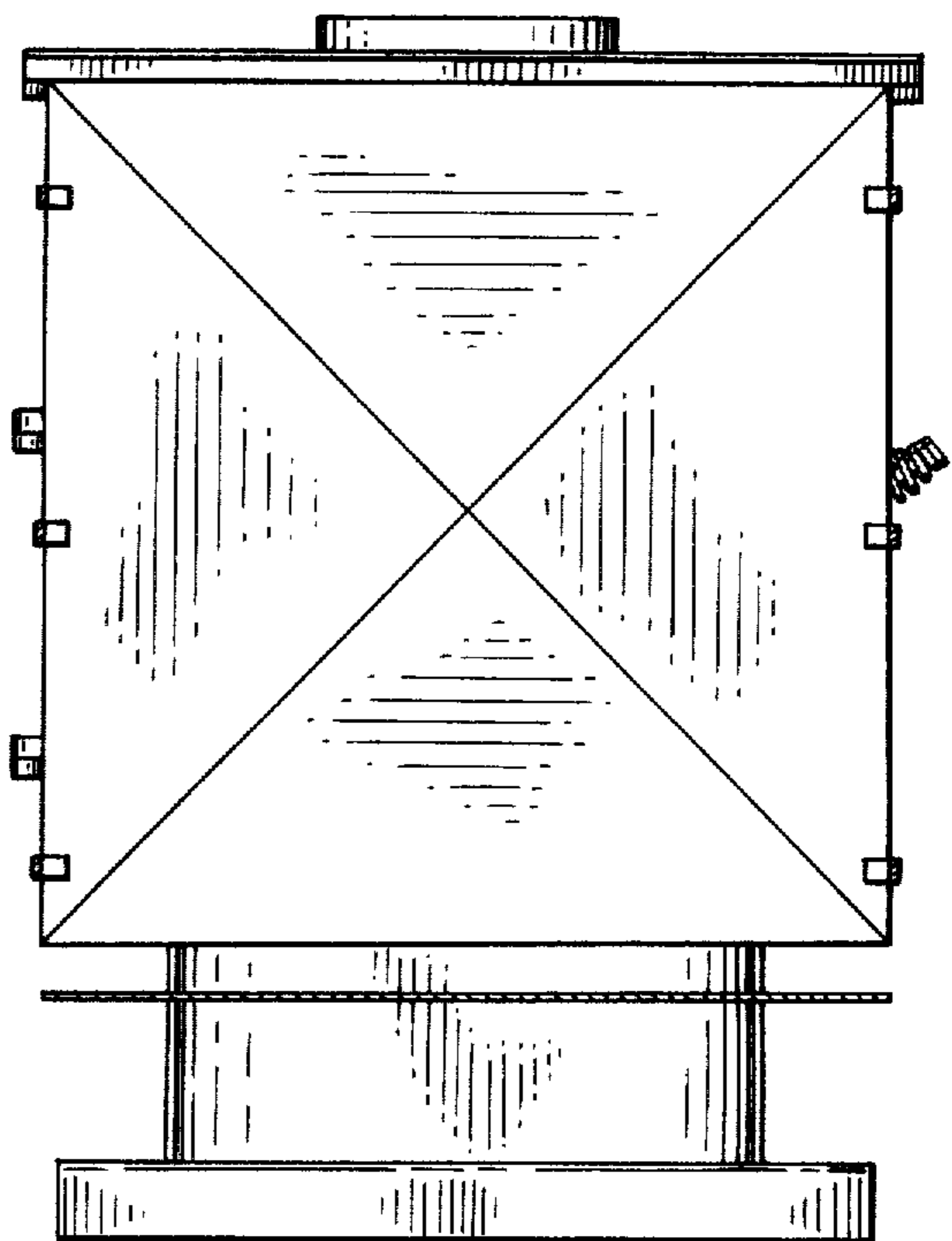


FIG. 5

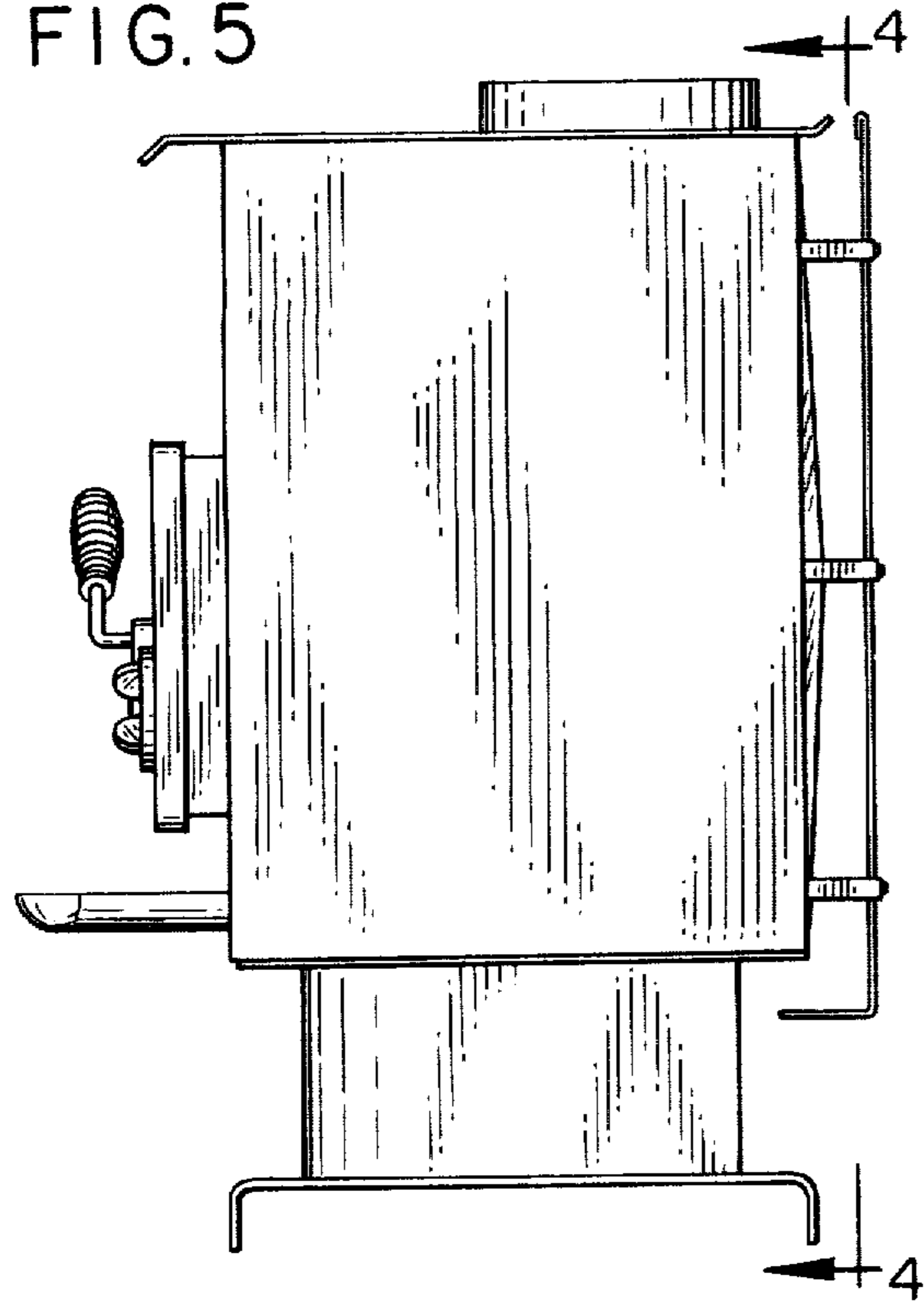


FIG. 7

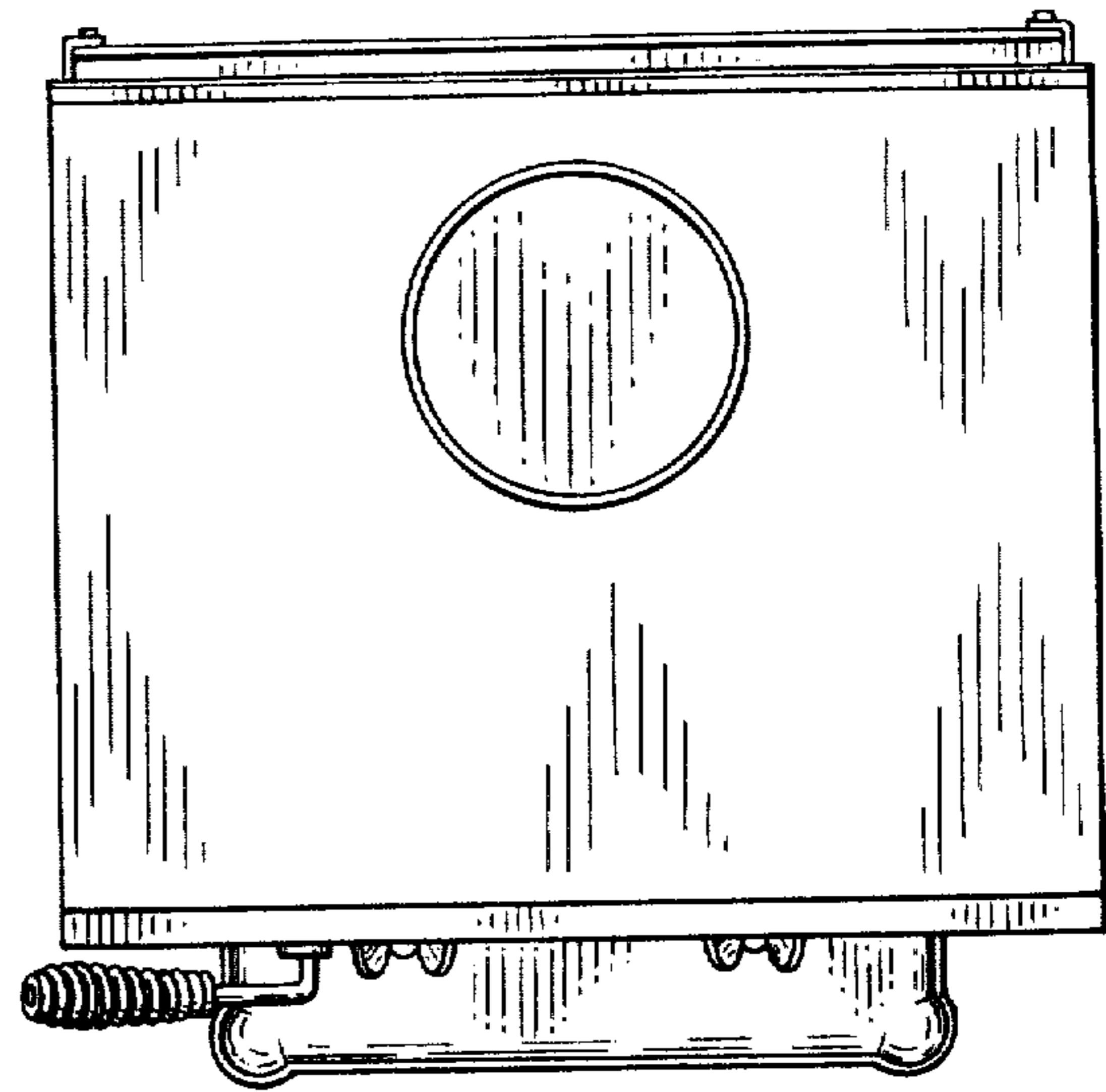


FIG. 8

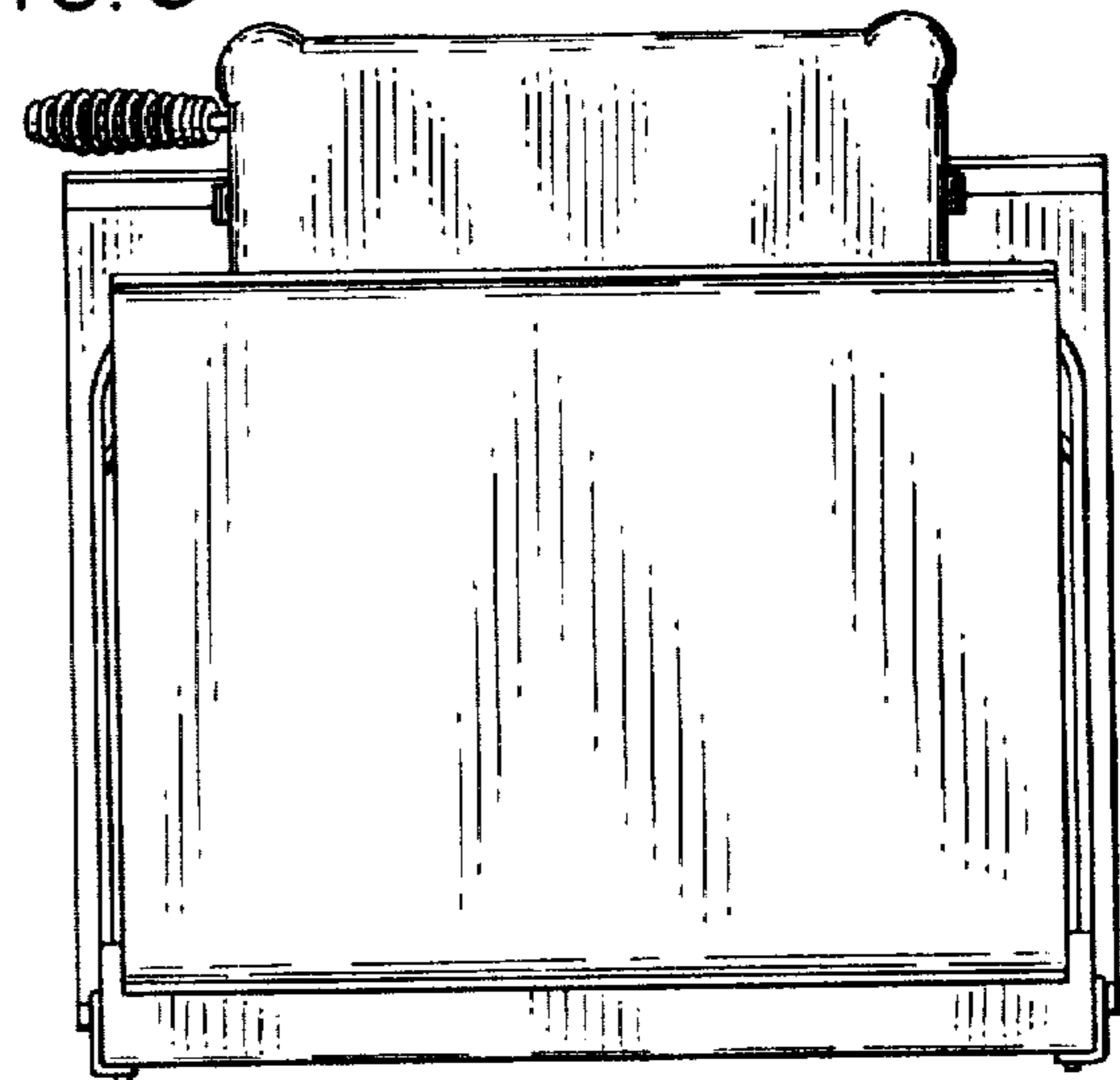


FIG. 6

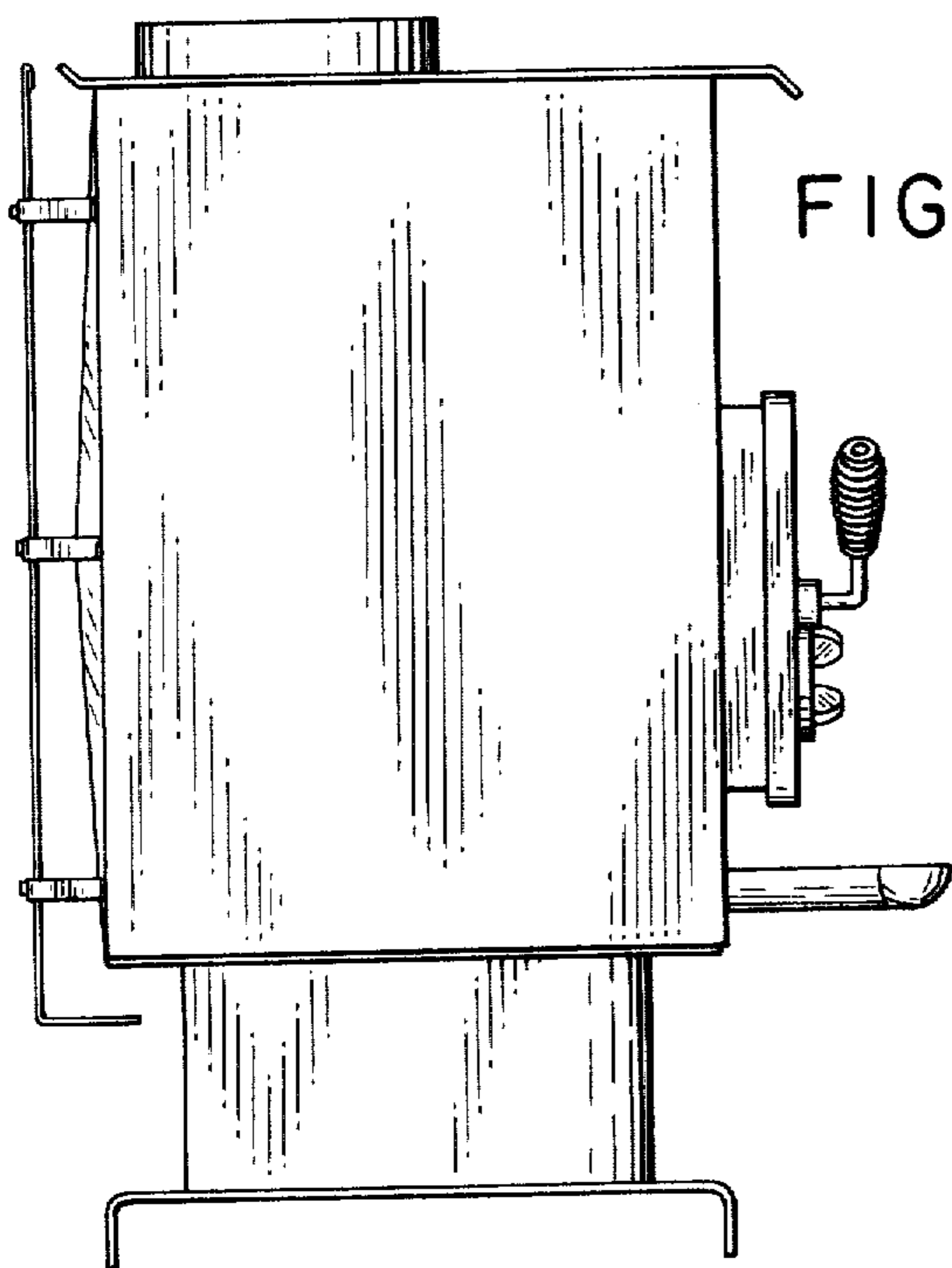


FIG. 9

