

- [54] **OSCILLATOR SPRINKLER**
- [75] Inventors: **Spencer L. Mackay**, Canoga Park;
Steven E. Maple, Claremont; **Paul G. Mayr**, Glendora, all of Calif.
- [73] Assignee: **Rain Bird Consumer Products Mfg. Corp.**, Duarte, Calif.
- [**] Term: **14 Years**
- [21] Appl. No.: **212,403**
- [22] Filed: **Dec. 3, 1980**
- [51] Int. Cl. **D23—01**
- [52] U.S. Cl. **D23/8**
- [58] Field of Search **D23/6-10;**
239/242

3,593,922 7/1971 Standal 239/242
4,140,278 2/1979 Troup 239/242

OTHER PUBLICATIONS

1978 Lawn and Garden Catalogue of Rain Bird National Sales Corporation (front and back pp. and p. 1 thereof).

Primary Examiner—James R. Largen
Attorney, Agent, or Firm—Fulwider, Patton, Rieber, Lee & Utecht

CLAIM

[57] The ornamental design for an oscillator sprinkler, substantially as shown.

DESCRIPTION

FIG. 1 is a perspective view of an oscillator sprinkler embodying our new design;
FIG. 2 is a right side elevational view thereof;
FIG. 3 is a rear elevational view thereof;
FIG. 4 is a front elevational view thereof;
FIG. 5 is a left side elevational view thereof;
FIG. 6 is a top plan view thereof;
FIG. 7 is a bottom plan view thereof;
FIG. 8 is a cross sectional view taken on the line 8—8 of FIG. 2; and
FIG. 9 is a cross sectional view taken on the line 9—9 of FIG. 2.

[56] **References Cited**
U.S. PATENT DOCUMENTS

D. 178,782	9/1956	Jepson	D23/8
D. 250,769	1/1979	Dadson	D23/8
D. 254,087	1/1980	Dadson	D23/8
D. 259,655	6/1981	Roman	D23/8
2,886,250	5/1959	Smith et al.	239/242 X
2,914,255	11/1959	Jepson	239/242
2,934,973	5/1960	Smith	239/242 X
3,175,770	3/1965	Johnson	239/242 X
3,567,122	3/1971	Congdon	239/242 X

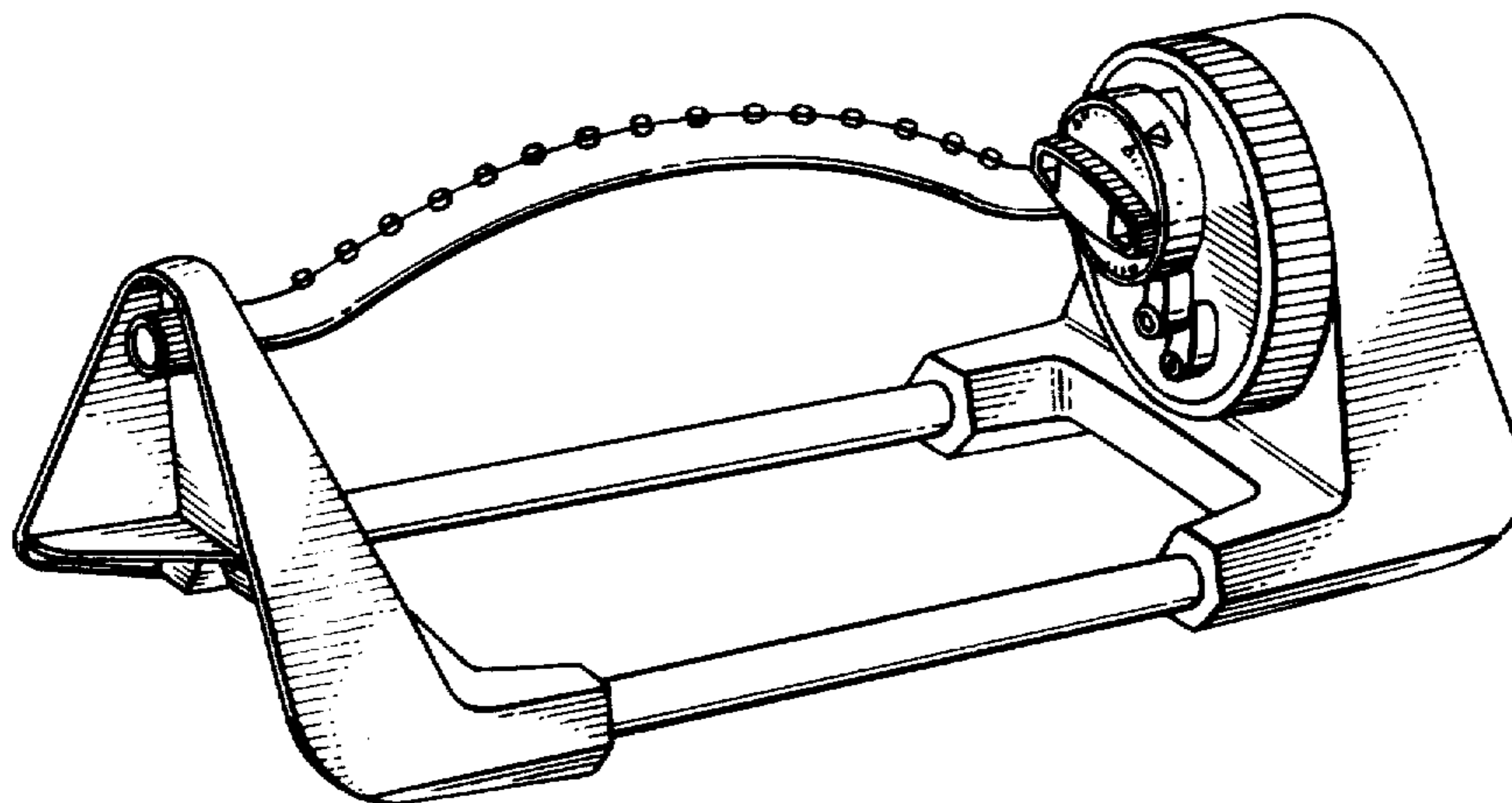


FIG. 1.

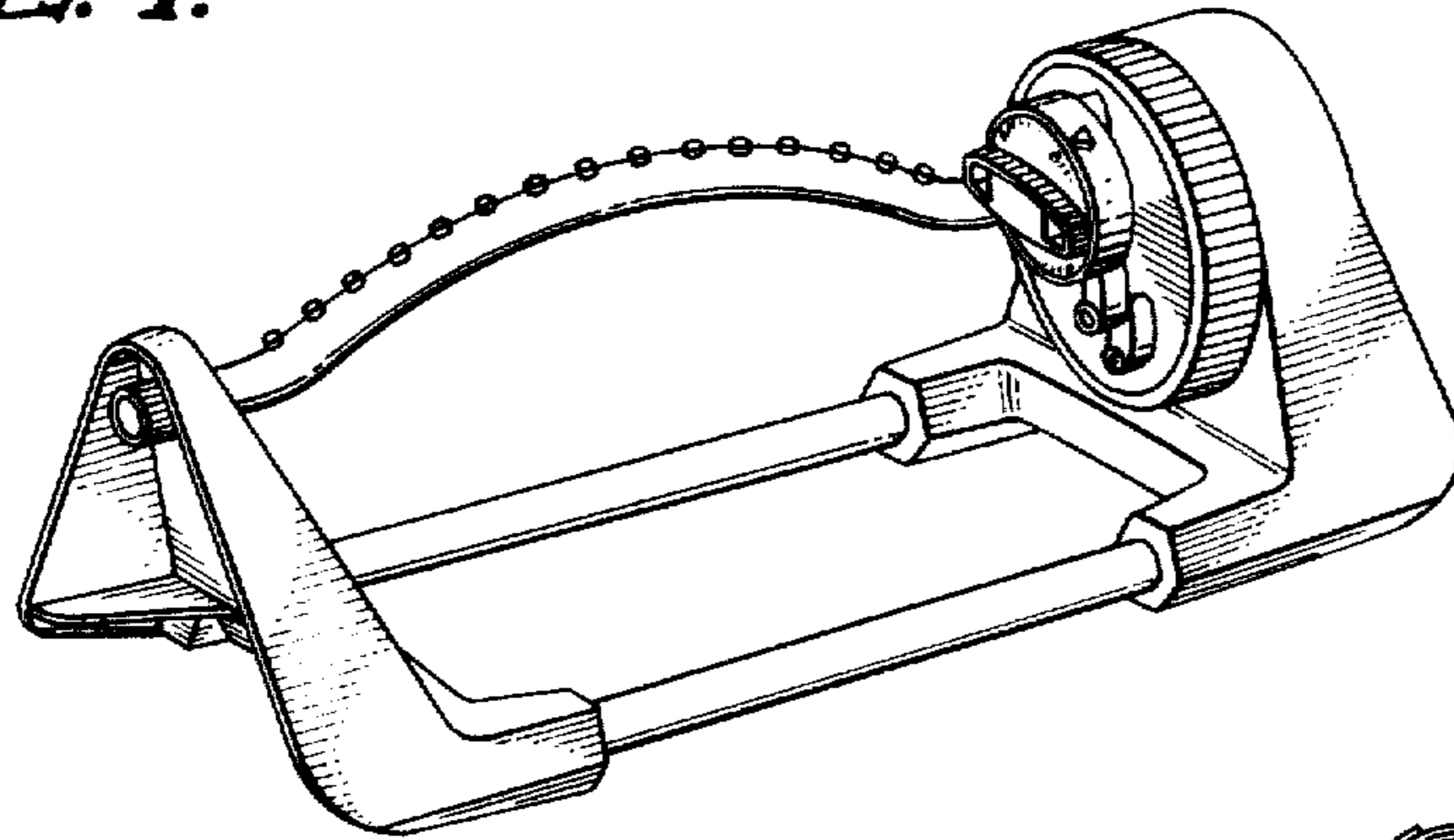


FIG. 3.

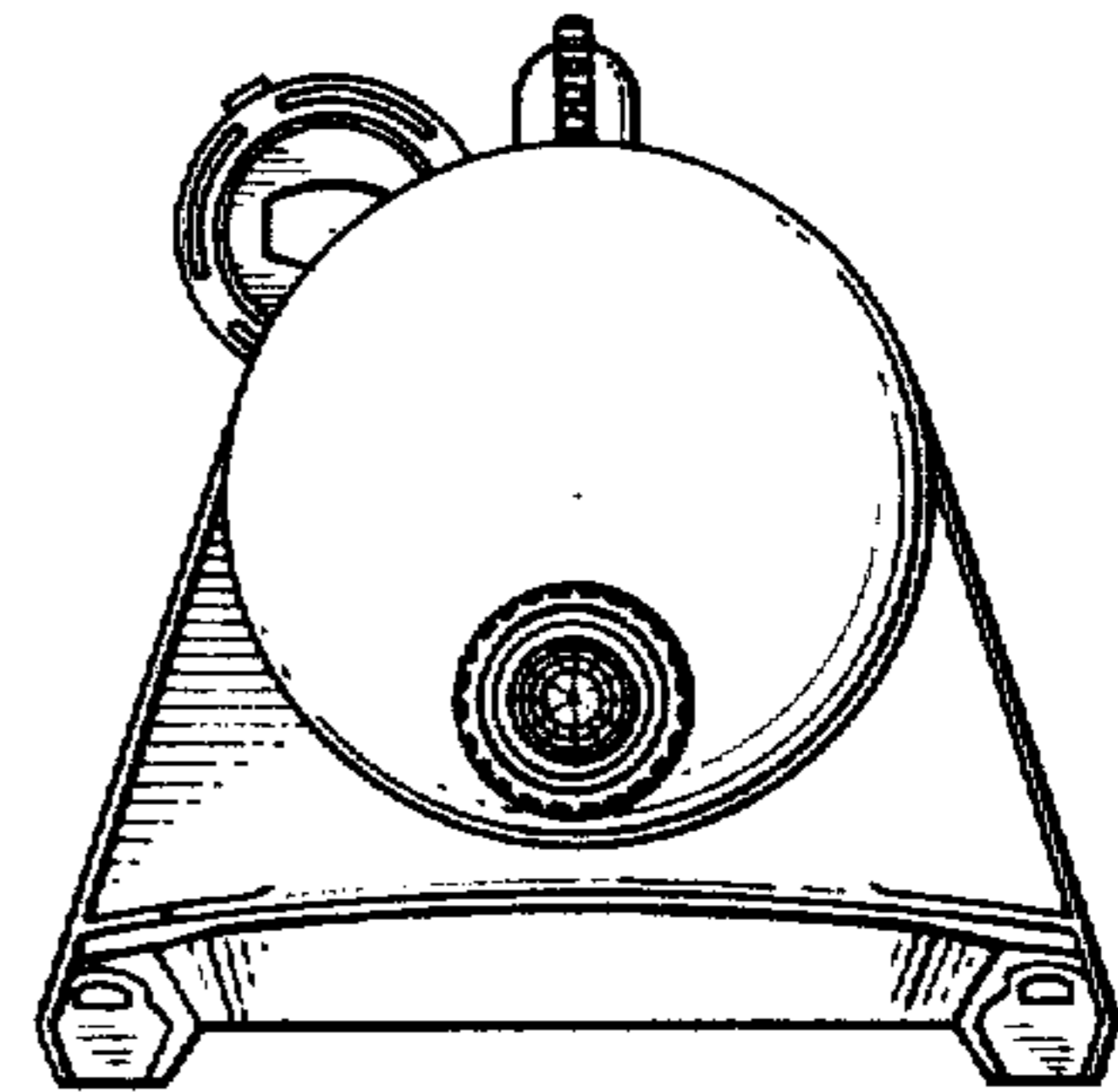


FIG. 2.

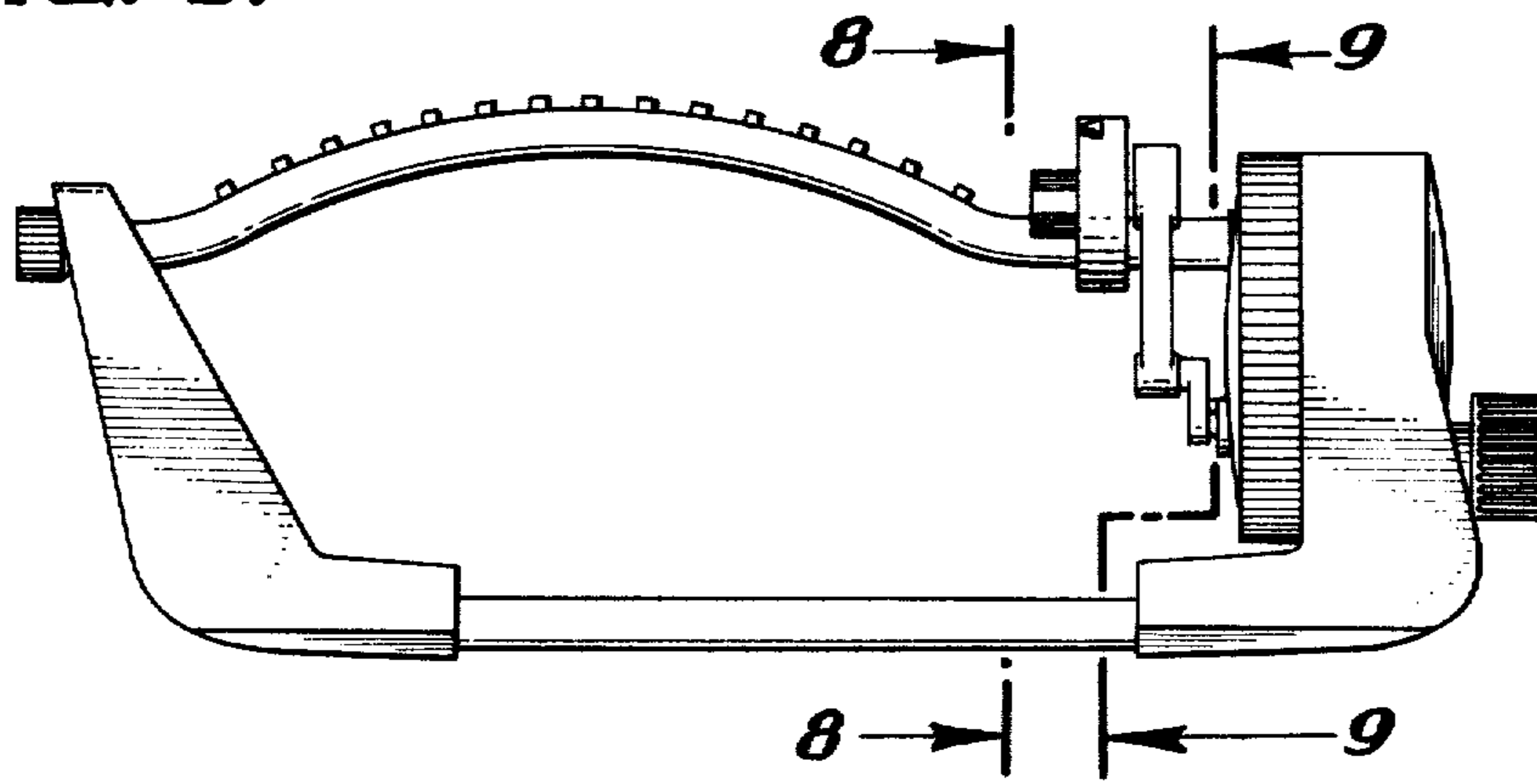


FIG. 4.

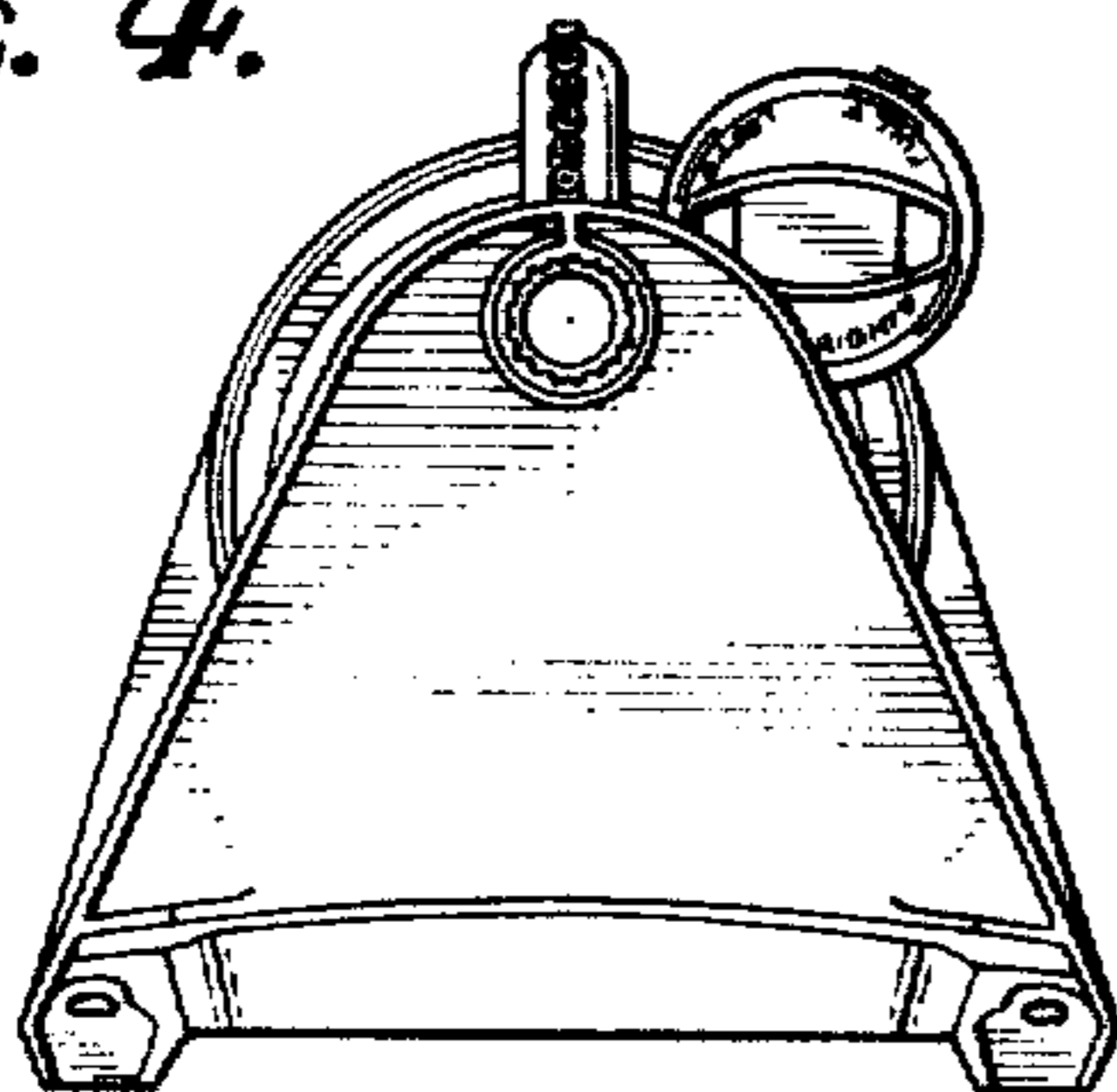


FIG. 8.

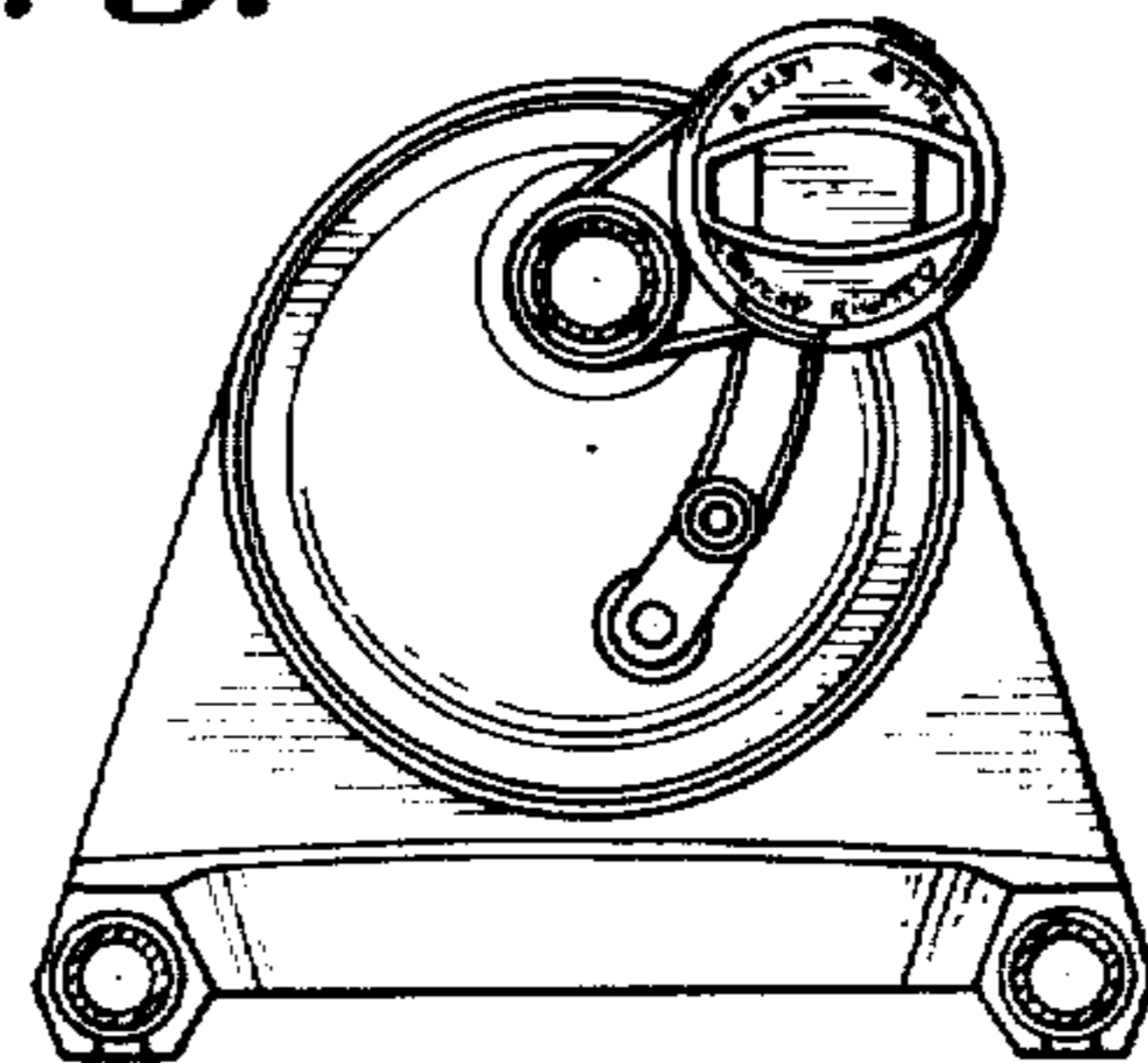


FIG. 5.

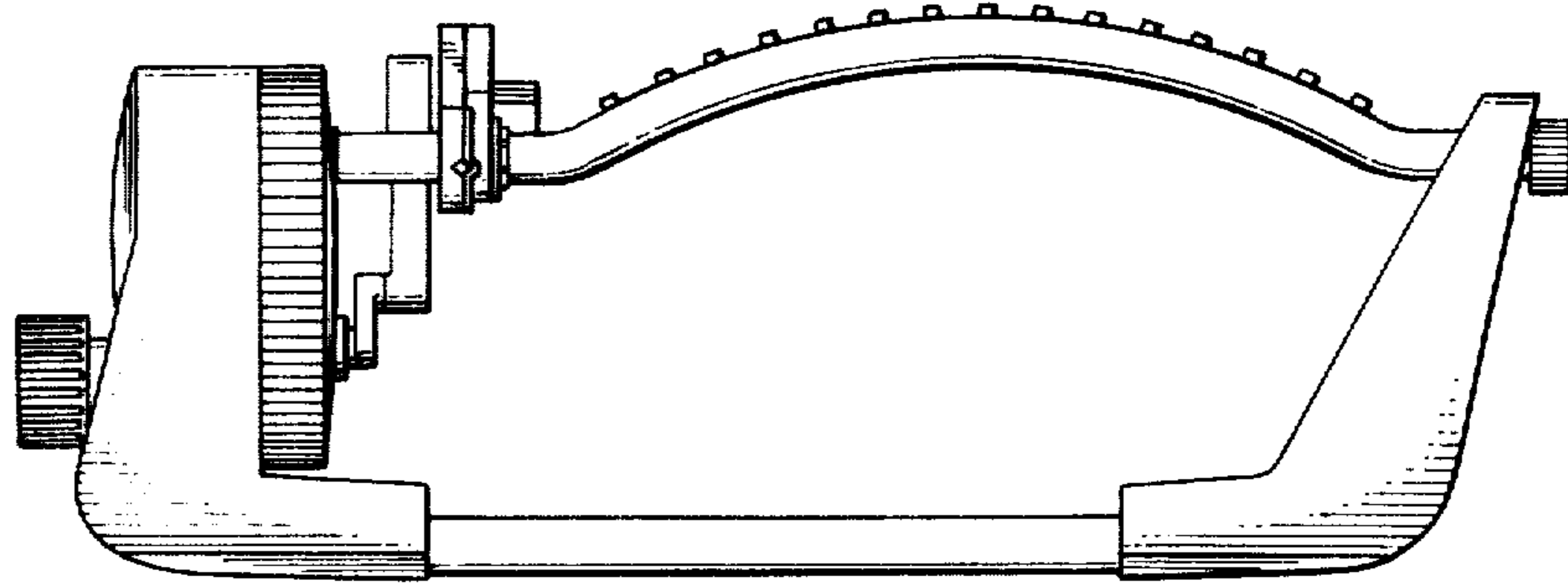


FIG. 6.

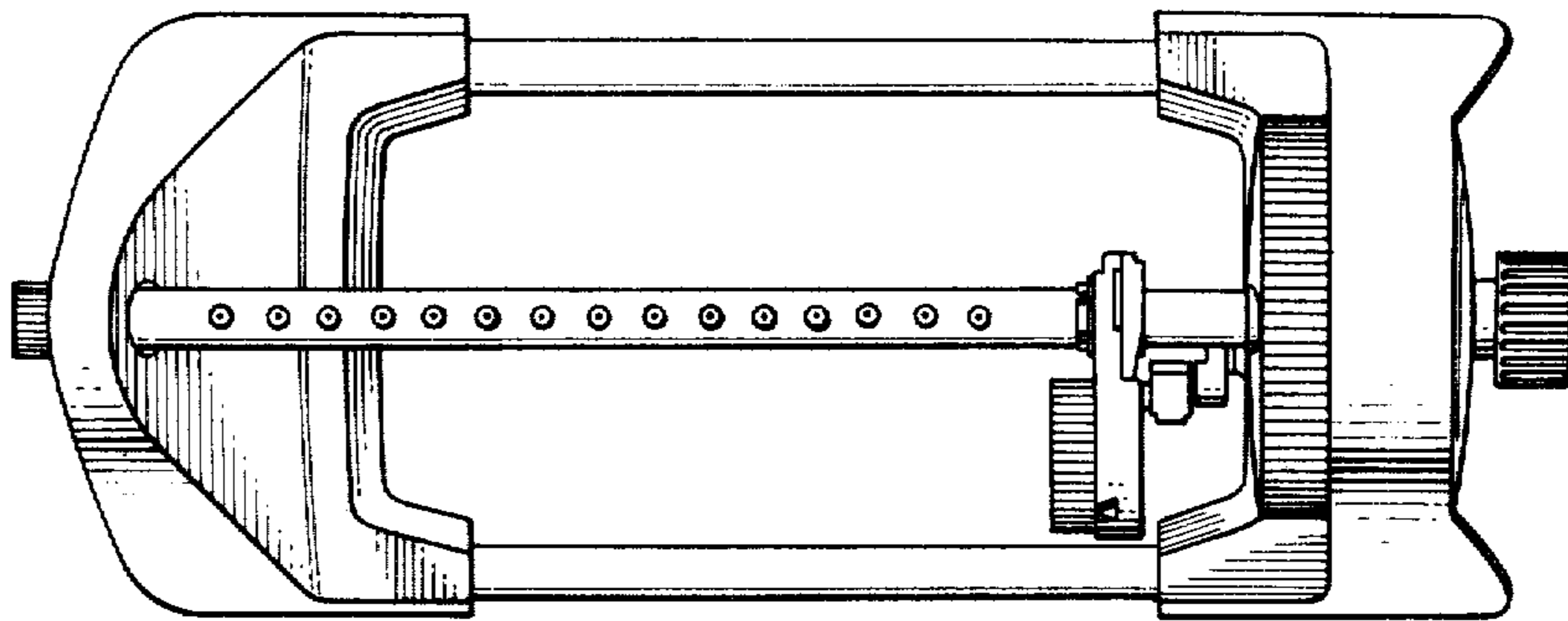


FIG. 7.

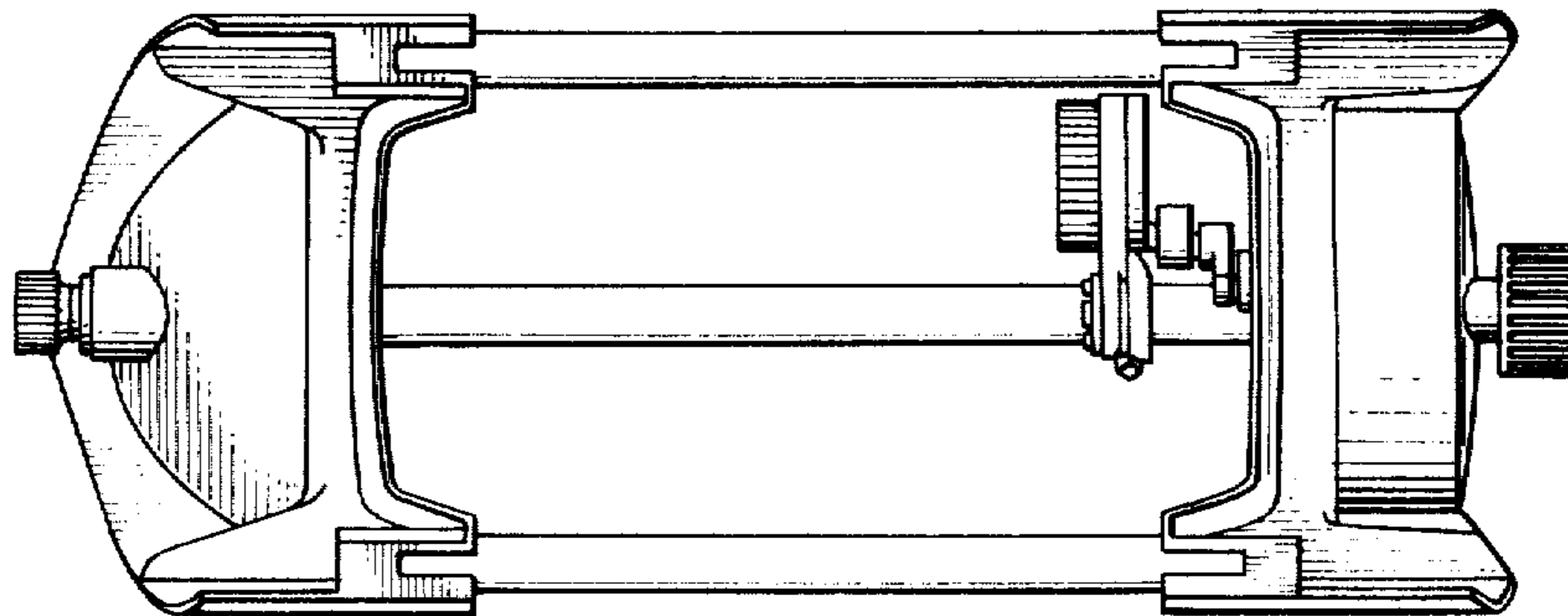


FIG. 9.

