

[54] SIMULATIVE TRUNDLE TOY

[76] Inventor: Donald E. Welch, 3102 Bayou, Deer Park, Tex. 77536

[\*\*] Term: 14 Years

[21] Appl. No.: 243,535

[22] Filed: Mar. 13, 1981

[51] Int. Cl. .... D21-01

[52] U.S. Cl. .... D21/150; D21/188

[58] Field of Search ..... D21/150, 148, 154, 188; 46/123, 124, 115, 117, 205, 99, 100, 119, 120

[56] References Cited

U.S. PATENT DOCUMENTS

- D. 139,276 10/1944 Weggel ..... D21/154
- D. 261,913 11/1981 Welch ..... D21/150

Primary Examiner—Melvin B. Feifer  
Attorney, Agent, or Firm—Gunn, Lee & Jackson

[57] CLAIM

The ornamental design for a simulative trundle toy, as shown and described.

DESCRIPTION

FIG. 1 is a side elevational view of a simulative trundle toy showing my new design;

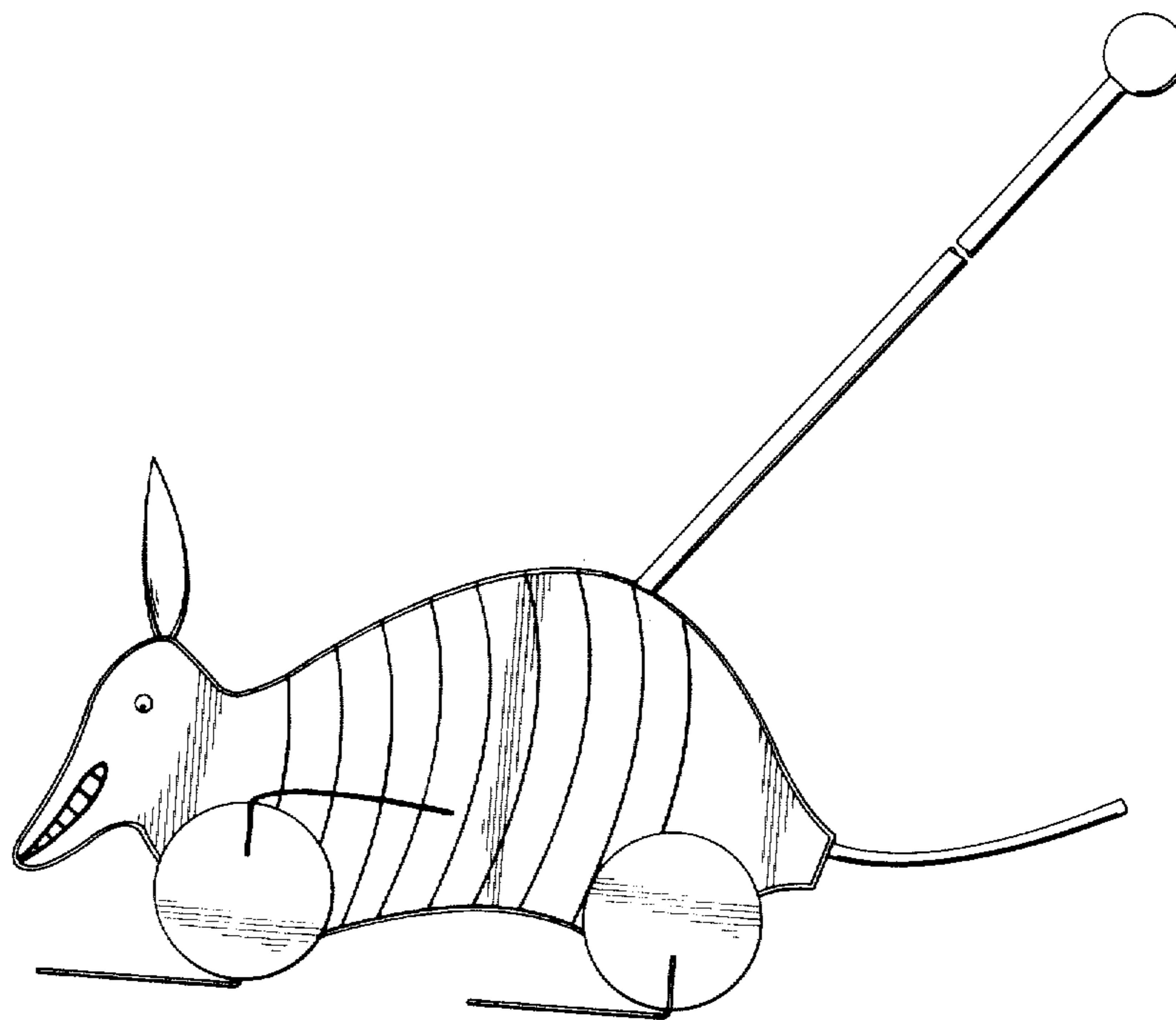
FIG. 2 is a front elevational view thereof as seen from the left of FIG. 1;

FIG. 3 is a bottom plan view thereof;

FIG. 4 is a rear elevational view thereof as seen from the right of FIG. 1; and

FIG. 5 is a side elevational view thereof showing the side opposite that shown in FIG. 1.

Portions of the push bar member have been omitted in FIGS. 1, 2, 4 and 5 for ease of illustration and as an indication of indeterminate length.



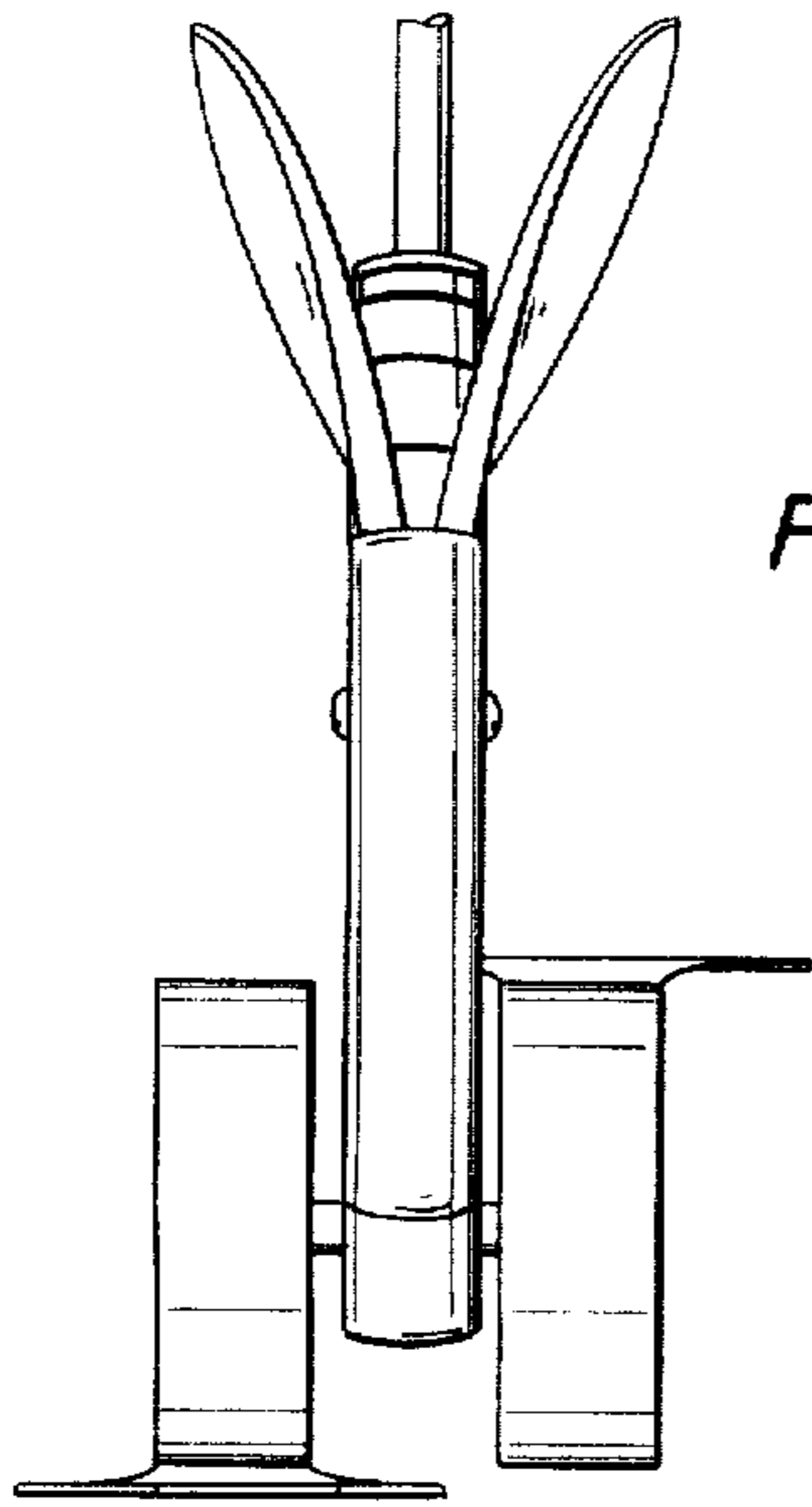


FIG. 2

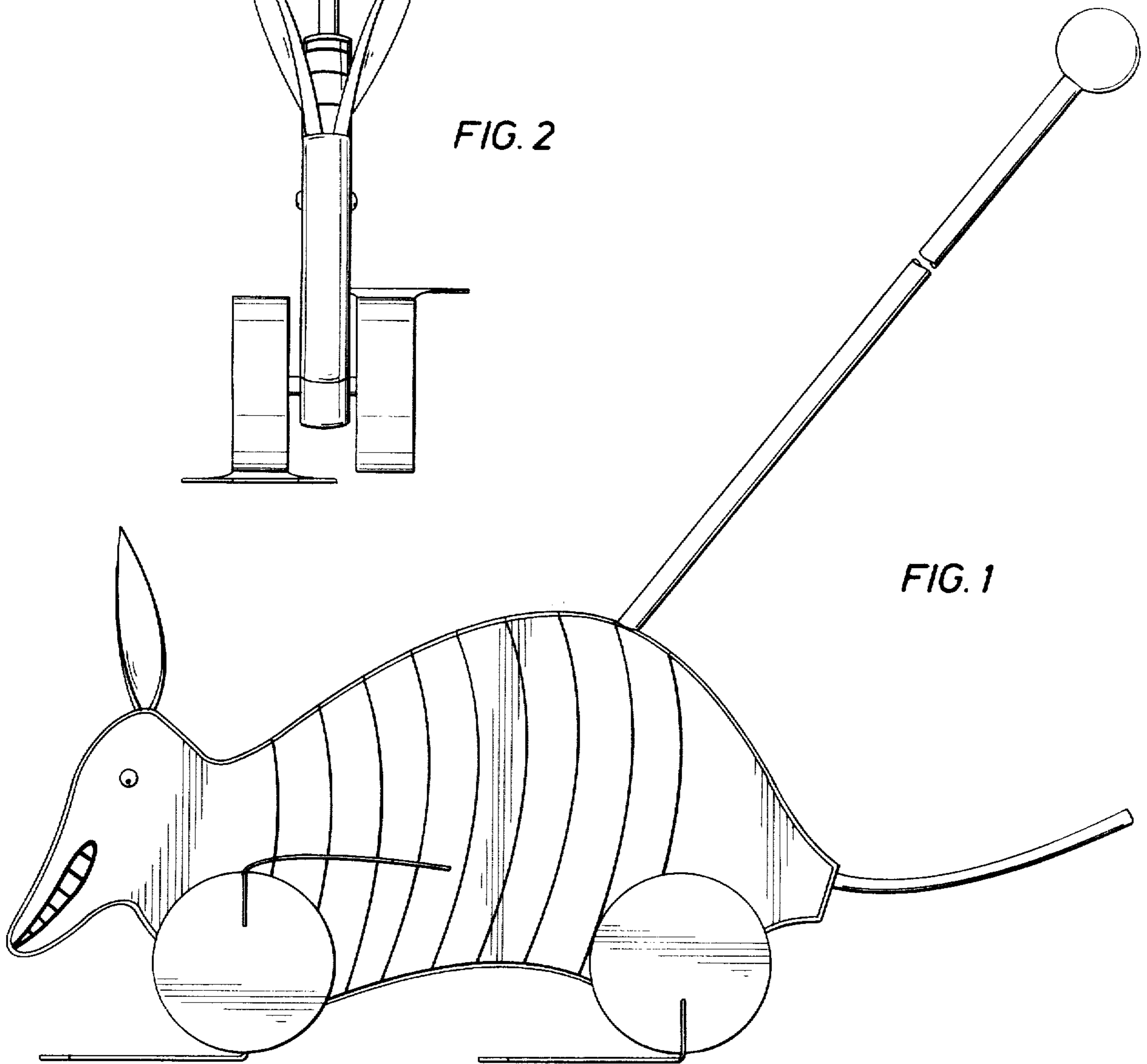


FIG. 1

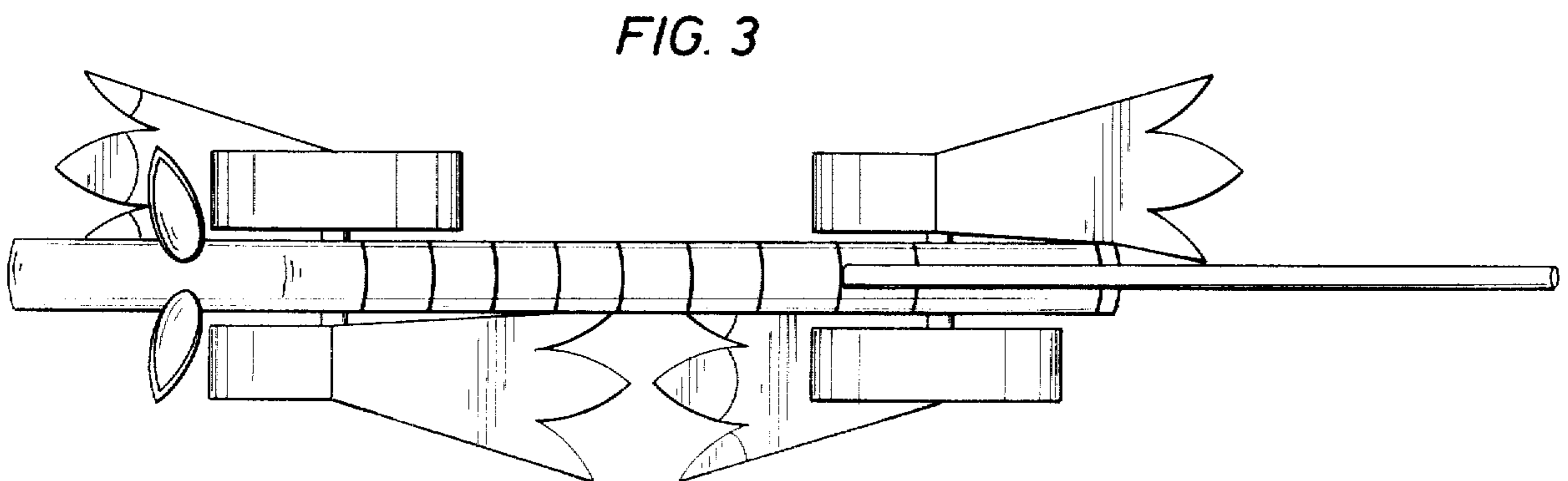


FIG. 3

FIG. 4

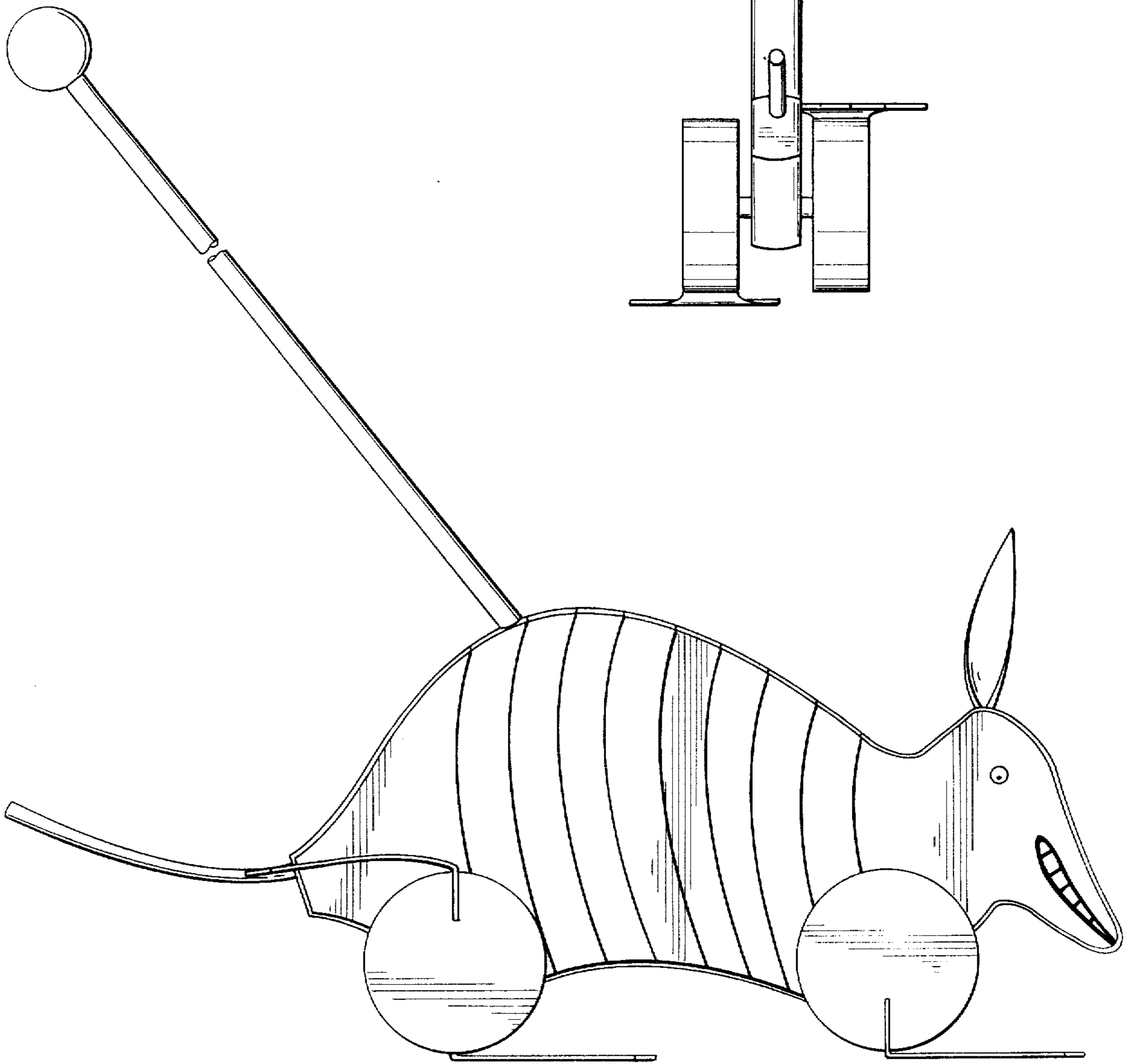
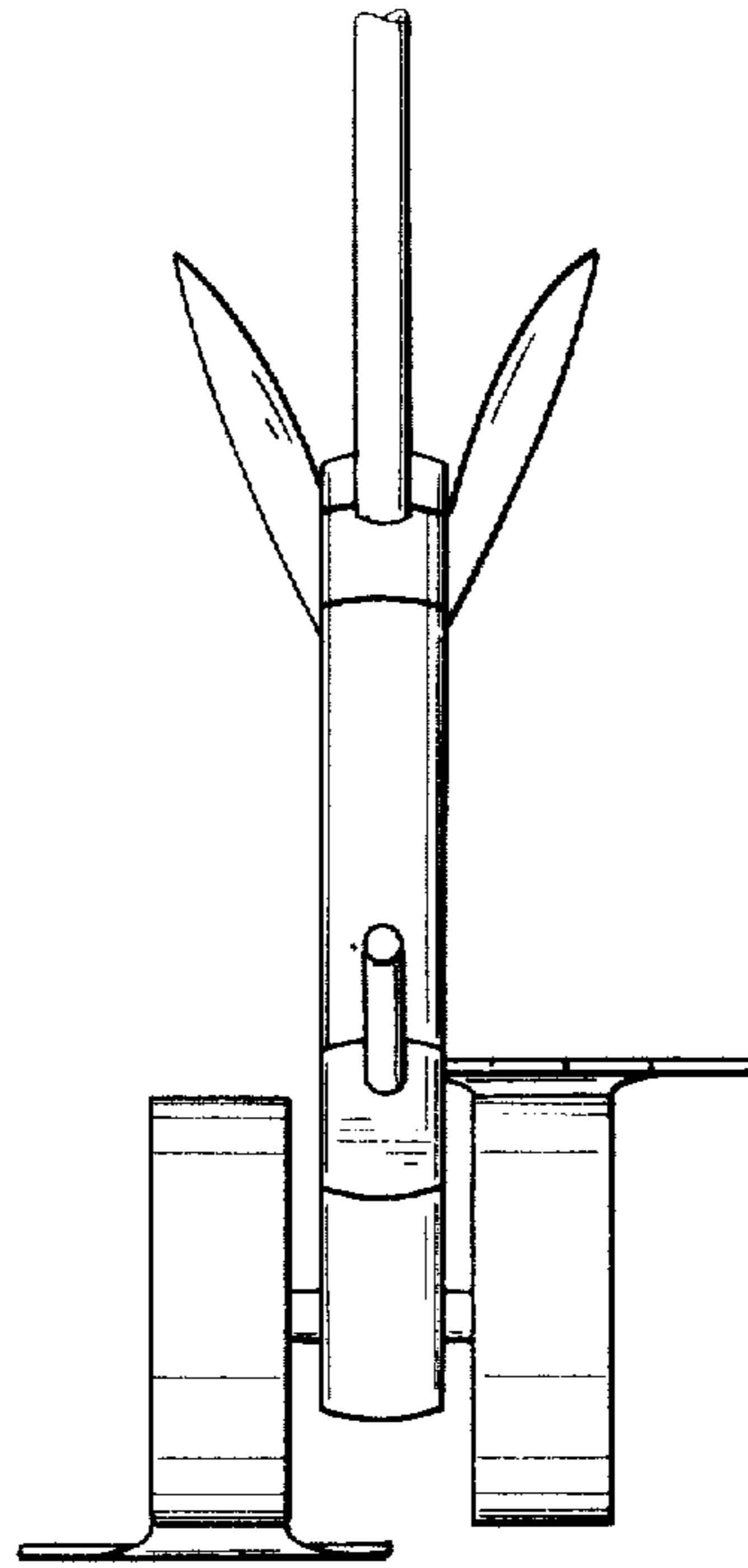


FIG. 5