

[54] TOY GARAGE

[75] Inventor: Cheuk S. Ng, Hong Kong, Hong Kong

[73] Assignee: Tai Sang Industrial Co., Ltd., Hong Kong, Hong Kong

[**] Term: 14 Years

[21] Appl. No.: 241,654

[22] Filed: Mar. 9, 1981

[51] Int. Cl. D21-01

[52] U.S. Cl. D21/118

[58] Field of Search D21/59, 109, 114, 118, D21/119, 143; 46/1 R, 1 K, 12

[56]

References Cited

U.S. PATENT DOCUMENTS

D. 203,937	3/1966	Dunbar	D21/143
D. 225,166	11/1972	Spengler et al.	D21/118
3,593,454	7/1971	Einfalt	D21/118
3,865,227	2/1975	Kaak	D21/143

Primary Examiner—Charles A. Rademaker

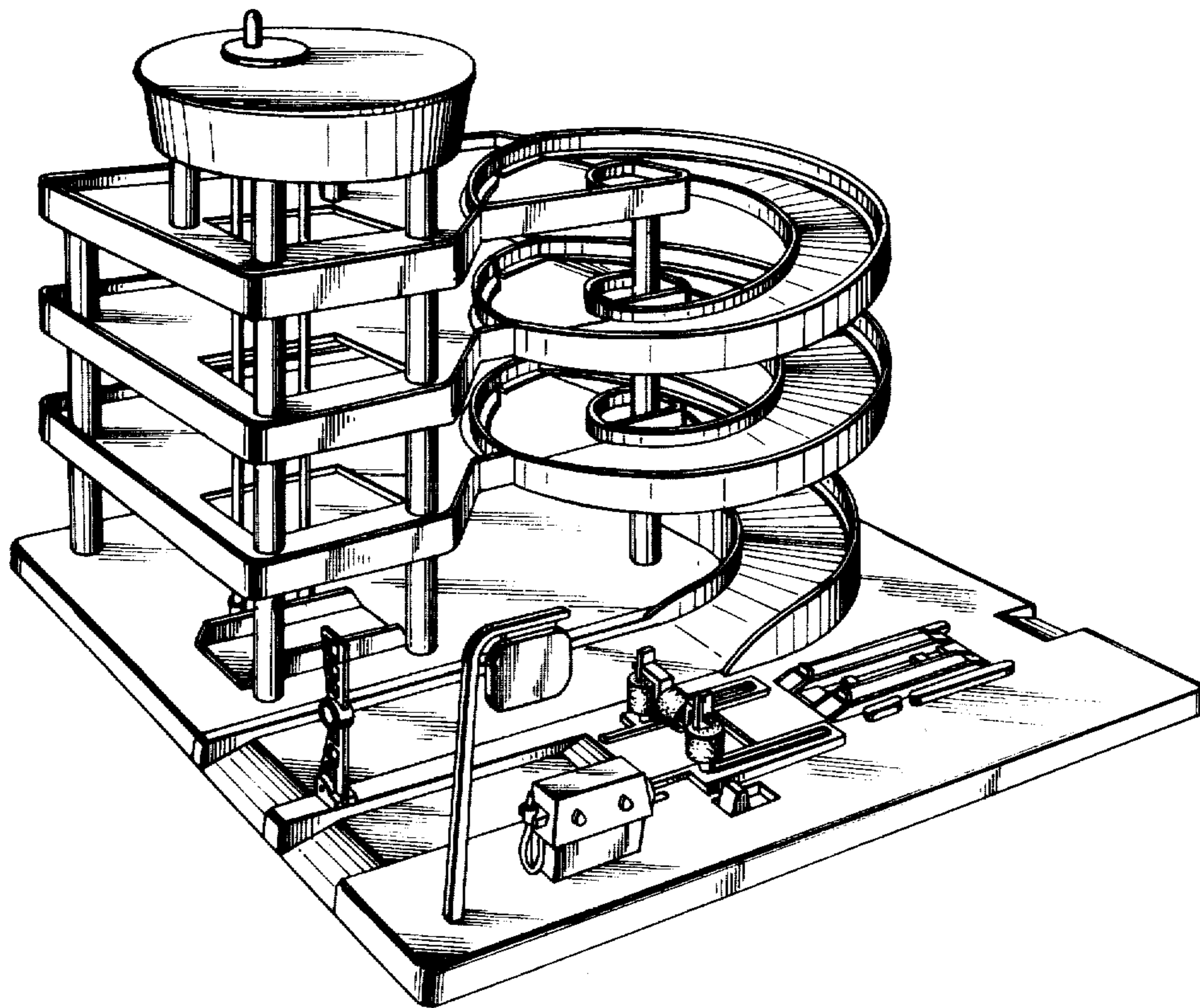
[57]

CLAIM

The ornamental design for a toy garage, as shown and described.

DESCRIPTION

FIG. 1 is a perspective view taken from the top, front and left side of a toy garage showing my new design; FIG. 2 is a top plan view thereof; FIG. 3 is a front elevational view thereof; FIG. 4 is a left side elevational view thereof; FIG. 5 is a right side elevational view thereof; FIG. 6 is a rear elevational view thereof; and, FIG. 7 is a bottom plan view thereof.



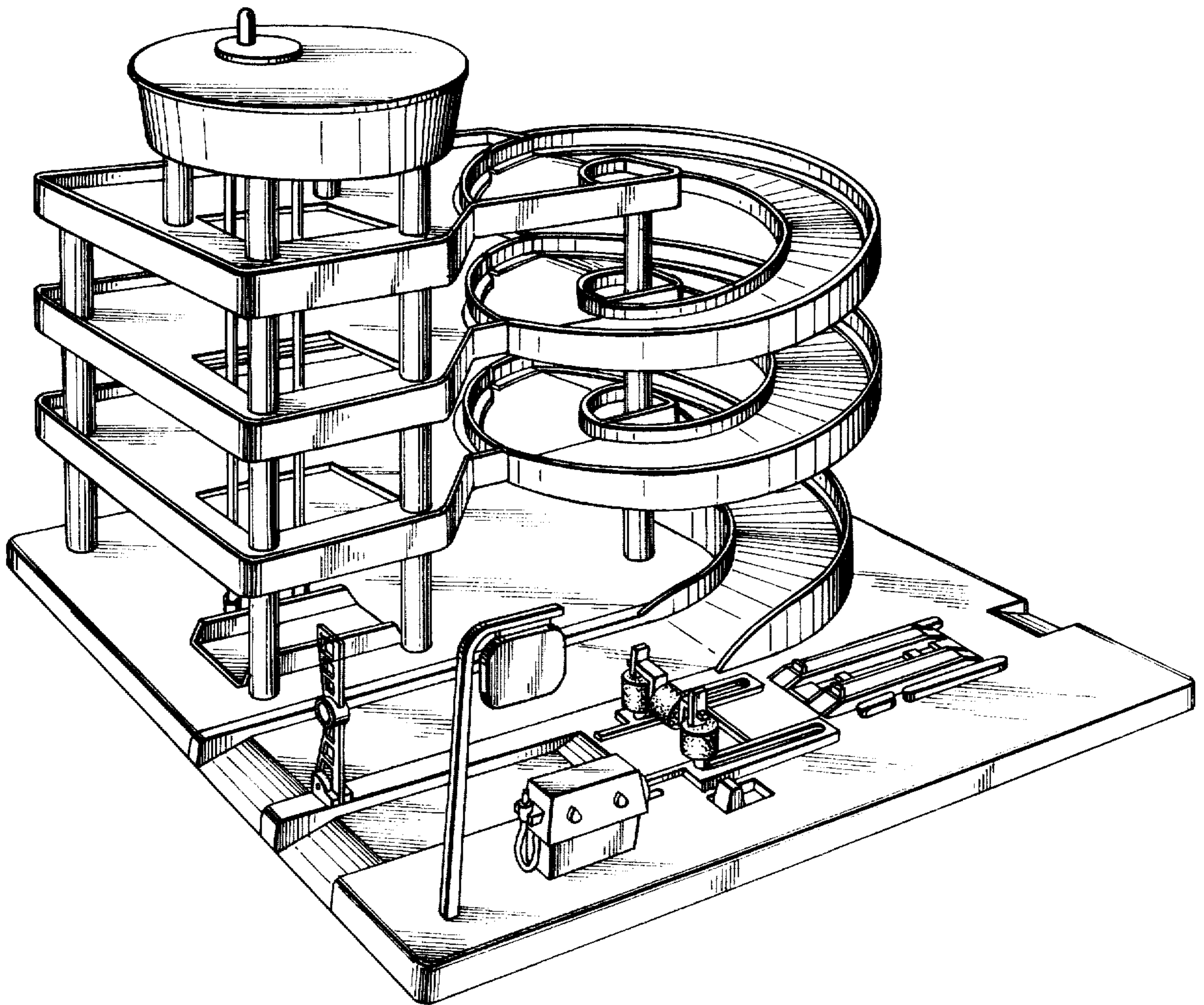


FIG. 1

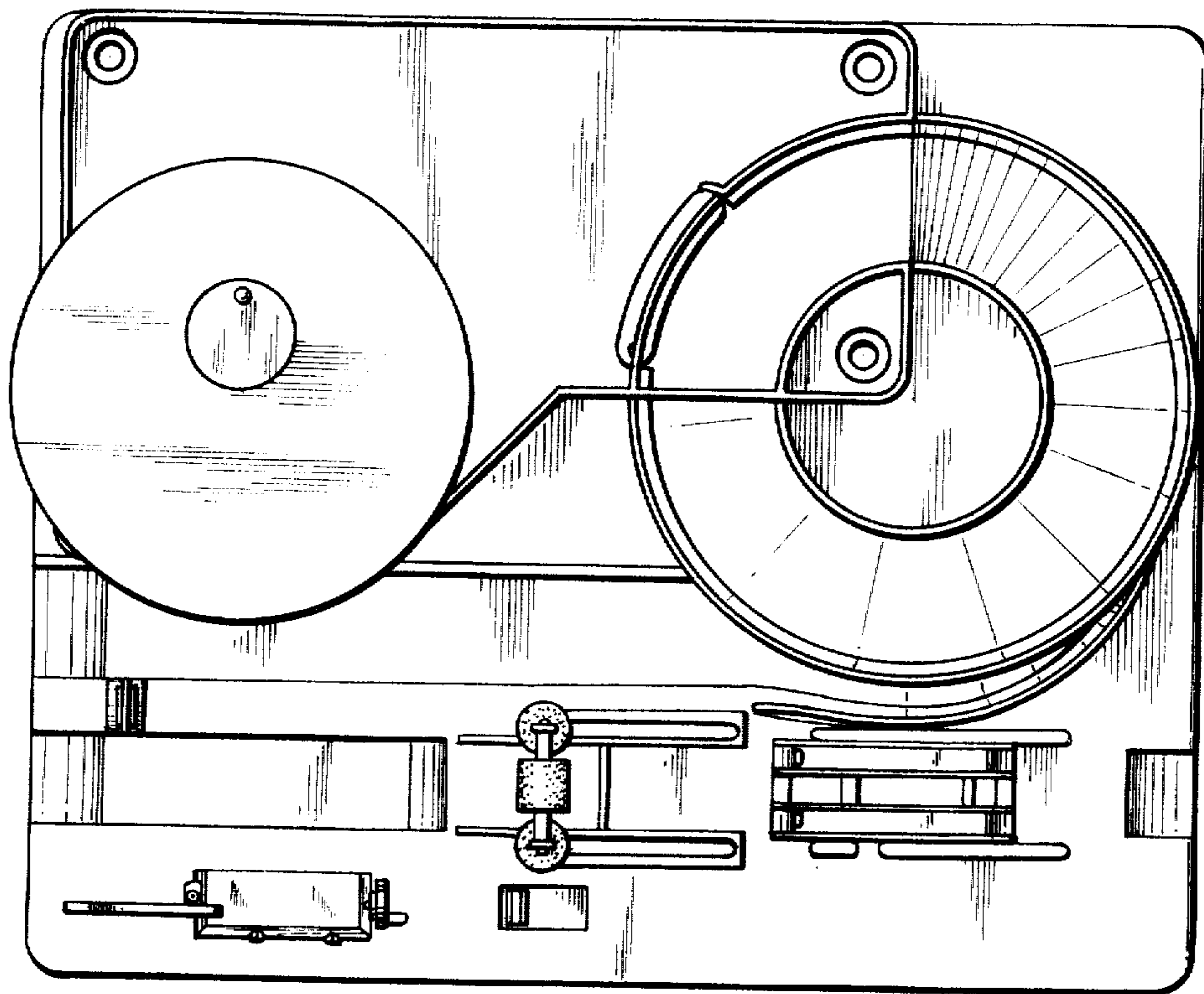


FIG. 2

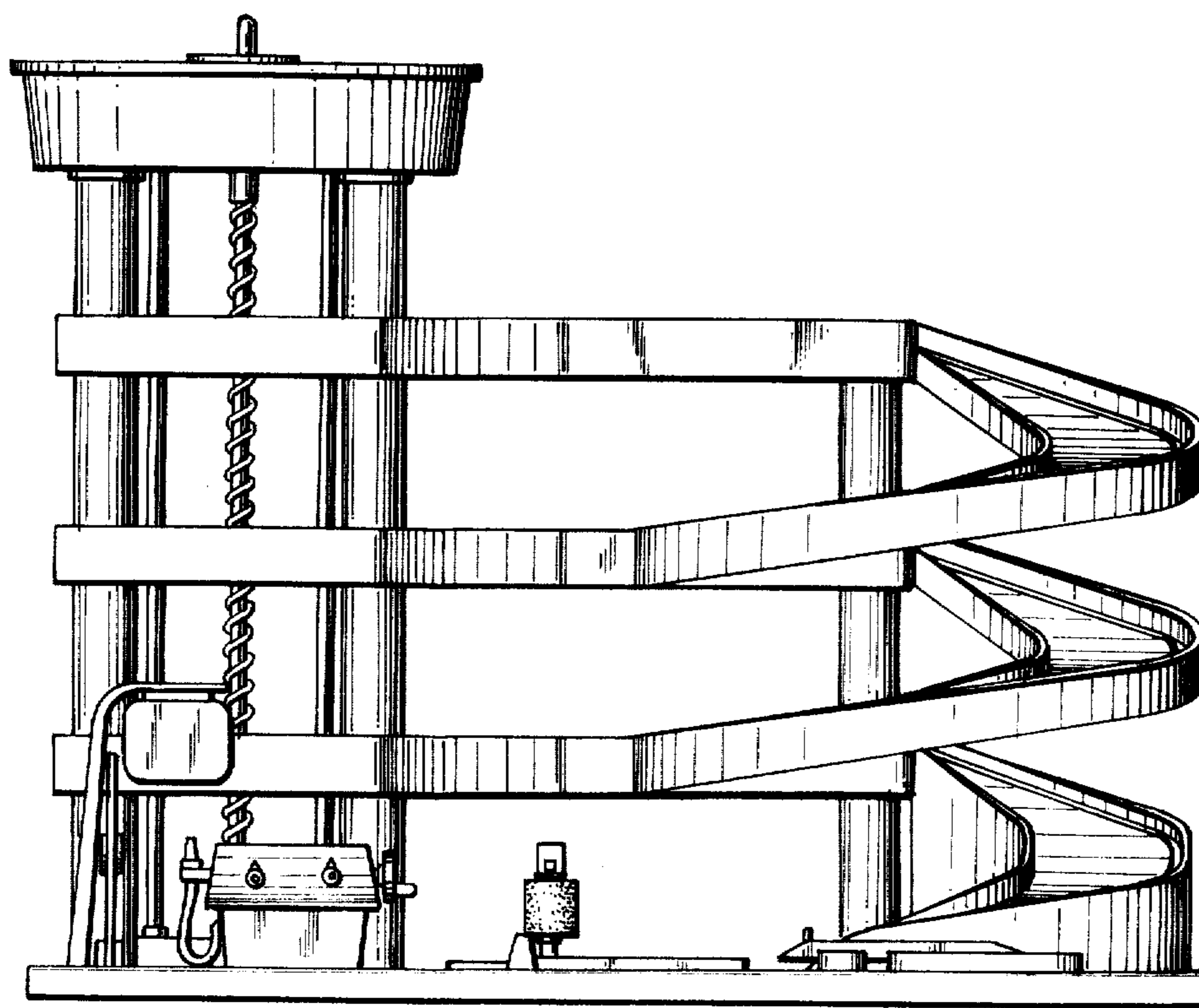


FIG. 3

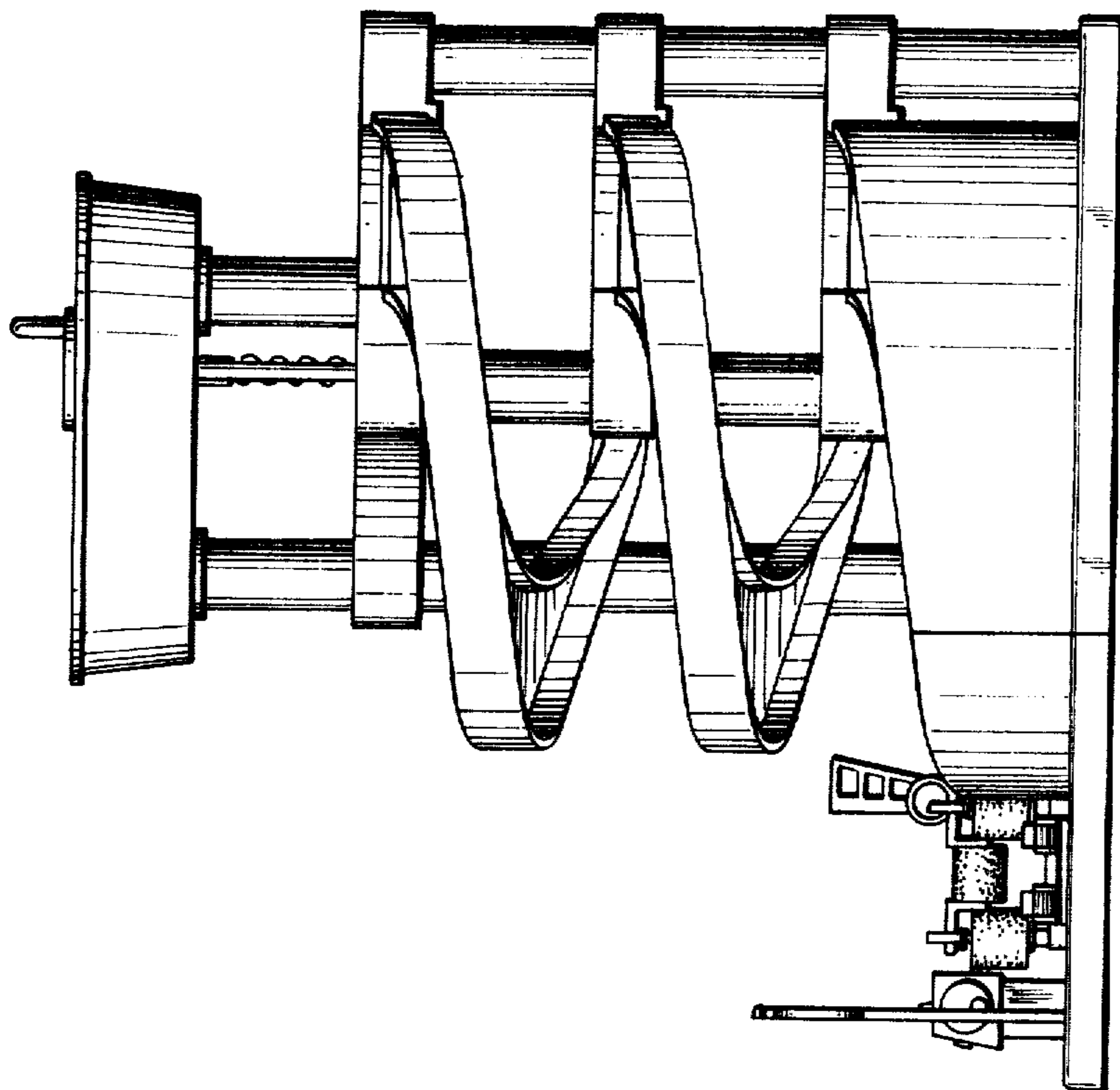


FIG. 5

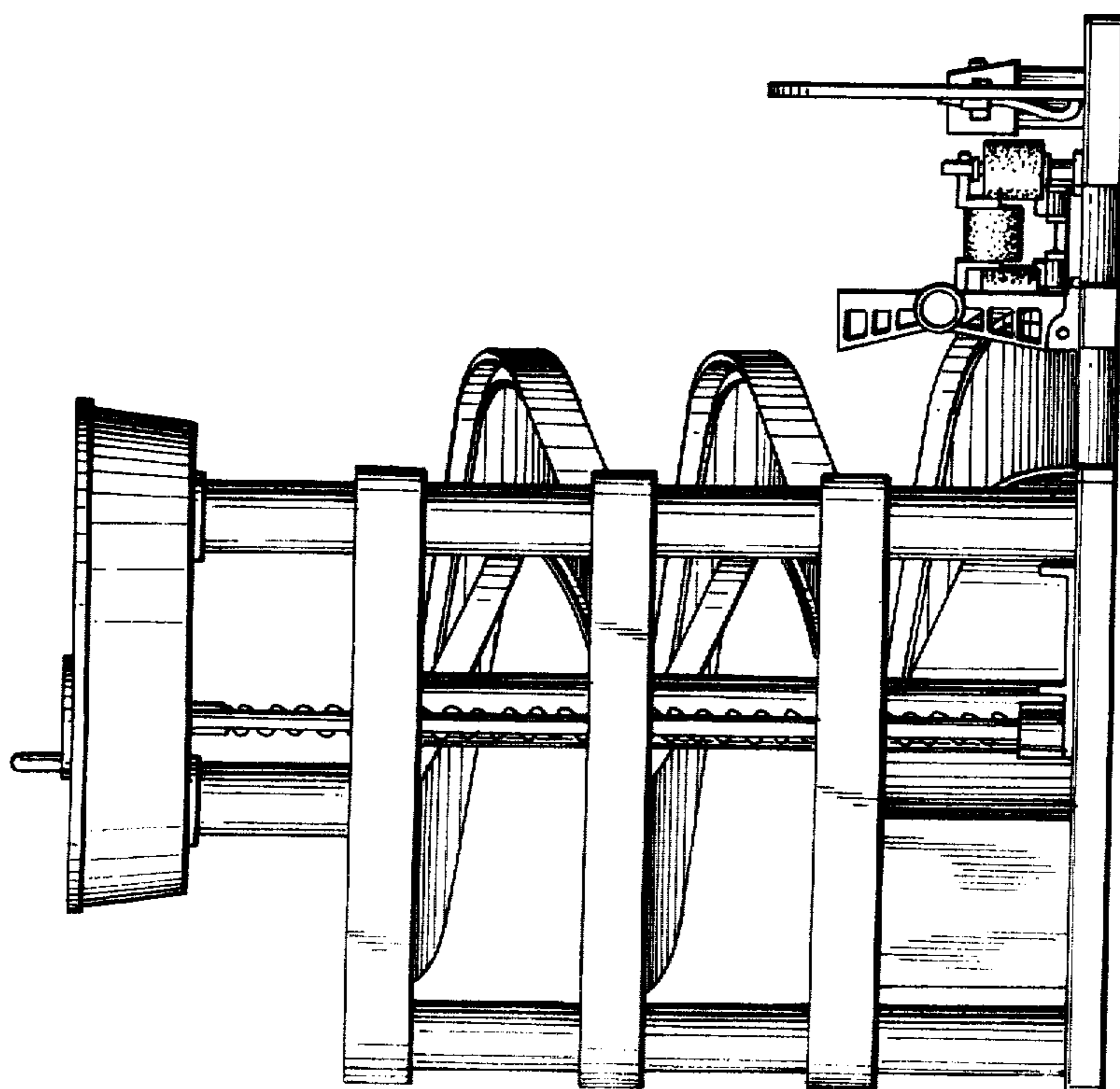


FIG. 4

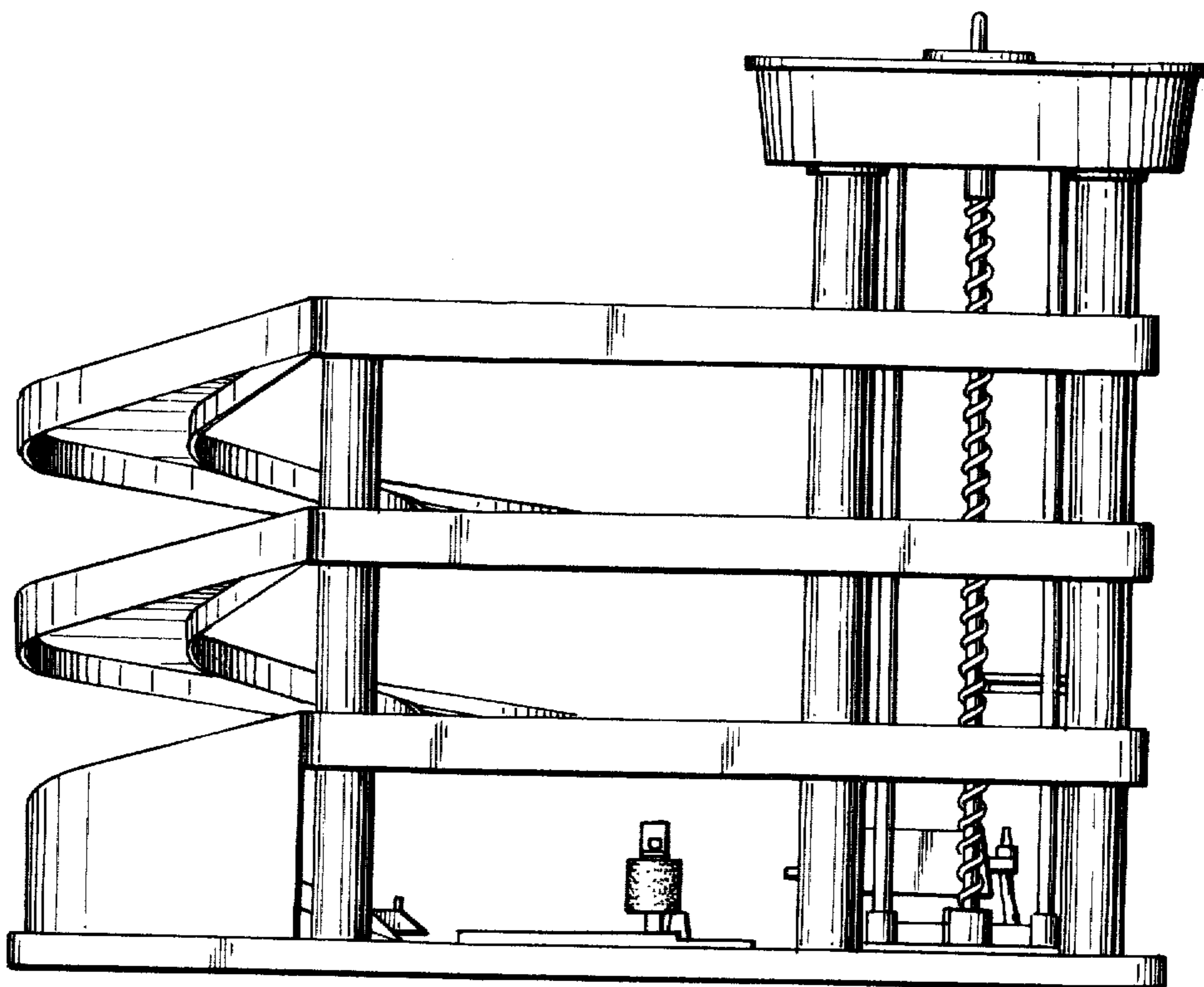


FIG. 6

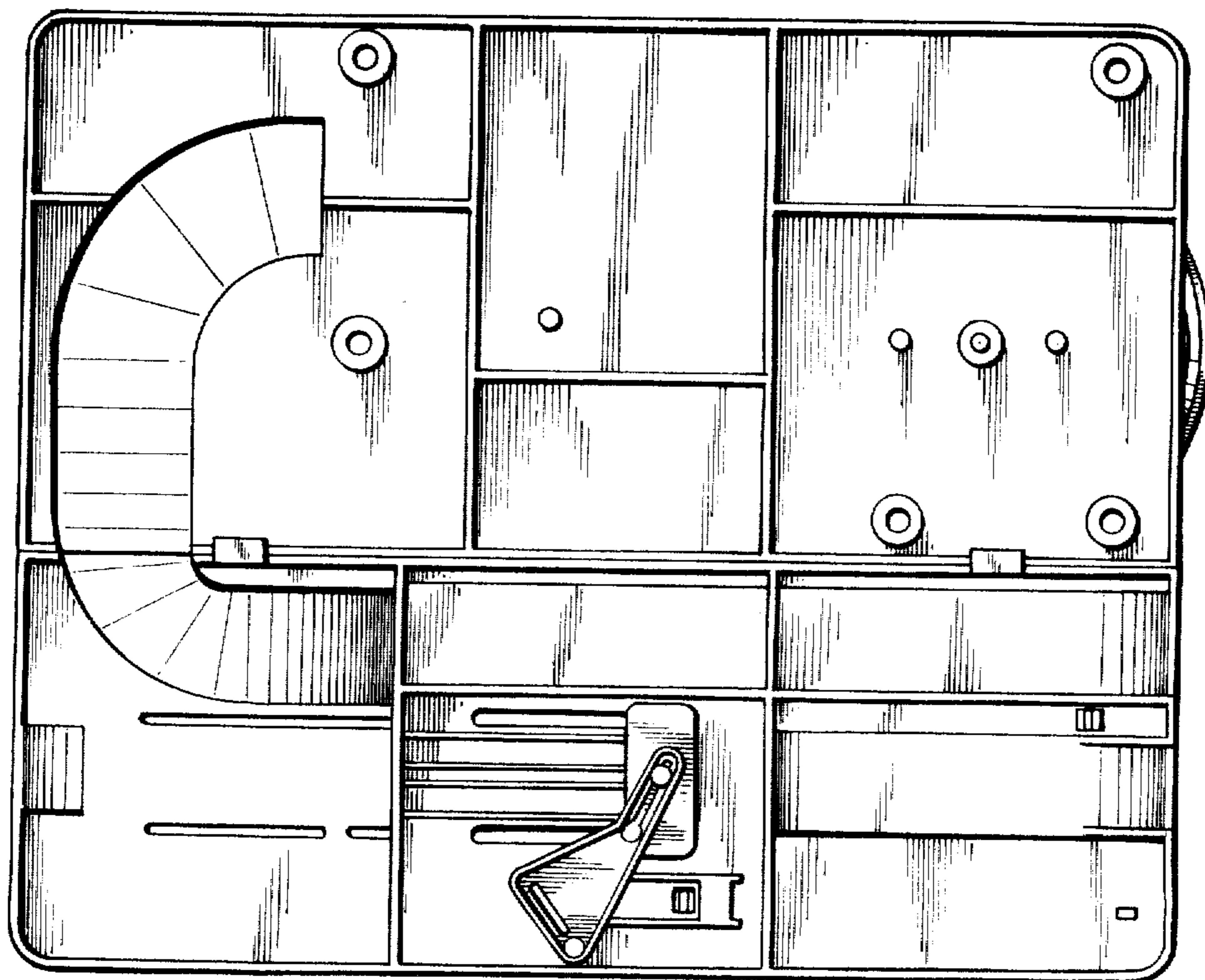


FIG. 7