

[54] **HOUSING FOR AMUSEMENT WATER TOY**

[56]

References Cited

[75] **Inventors:** Hitoshi Itakura, Gardena, Calif.;
Masaaki Yoshimura, Tokyo, Japan

U.S. PATENT DOCUMENTS

D. 251,312	3/1979	Matsumoto	D21/59
459,868	9/1891	Law	273/1 L
783,357	2/1905	Bissell	273/1 L
2,779,131	1/1957	Scheithauer	273/1 L

[73] **Assignee:** Tomy Kogyo Co., Inc., Tokyo, Japan

[**] **Term:** 14 Years

Primary Examiner—Charles A. Rademaker
Attorney, Agent, or Firm—K. H. Boswell; Edward D. O'Brian

[21] **Appl. No.:** 242,376

[22] **Filed:** Mar. 10, 1981

[57] **CLAIM**

The ornamental design for a housing for amusement water toy, substantially as shown and described.

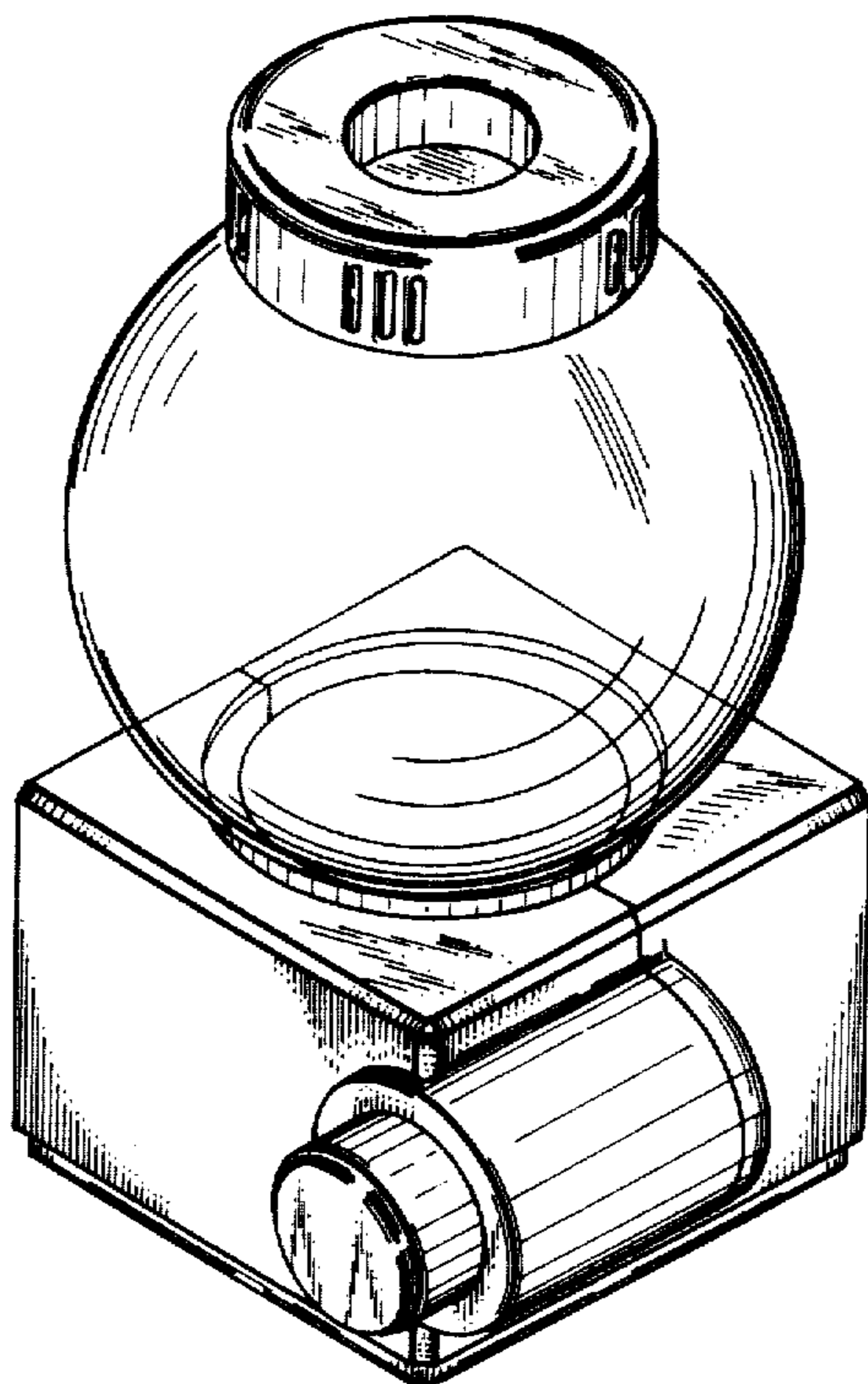
[30] **Foreign Application Priority Data**

Sep. 11, 1980 [JP] Japan 55-37442

DESCRIPTION

[51] **Int. Cl.** D21-01
 [52] **U.S. Cl.** D21/59
 [58] **Field of Search** D21/59; 273/1 L;
 272/1 R; 46/1 R, 92; D9/367

FIG. 1 is a perspective view of a housing for amusement water toy showing our new design;
FIG. 2 is a left side elevational view thereof;
FIG. 3 is a rear elevational view thereof;
FIG. 4 is a bottom plan view thereof.



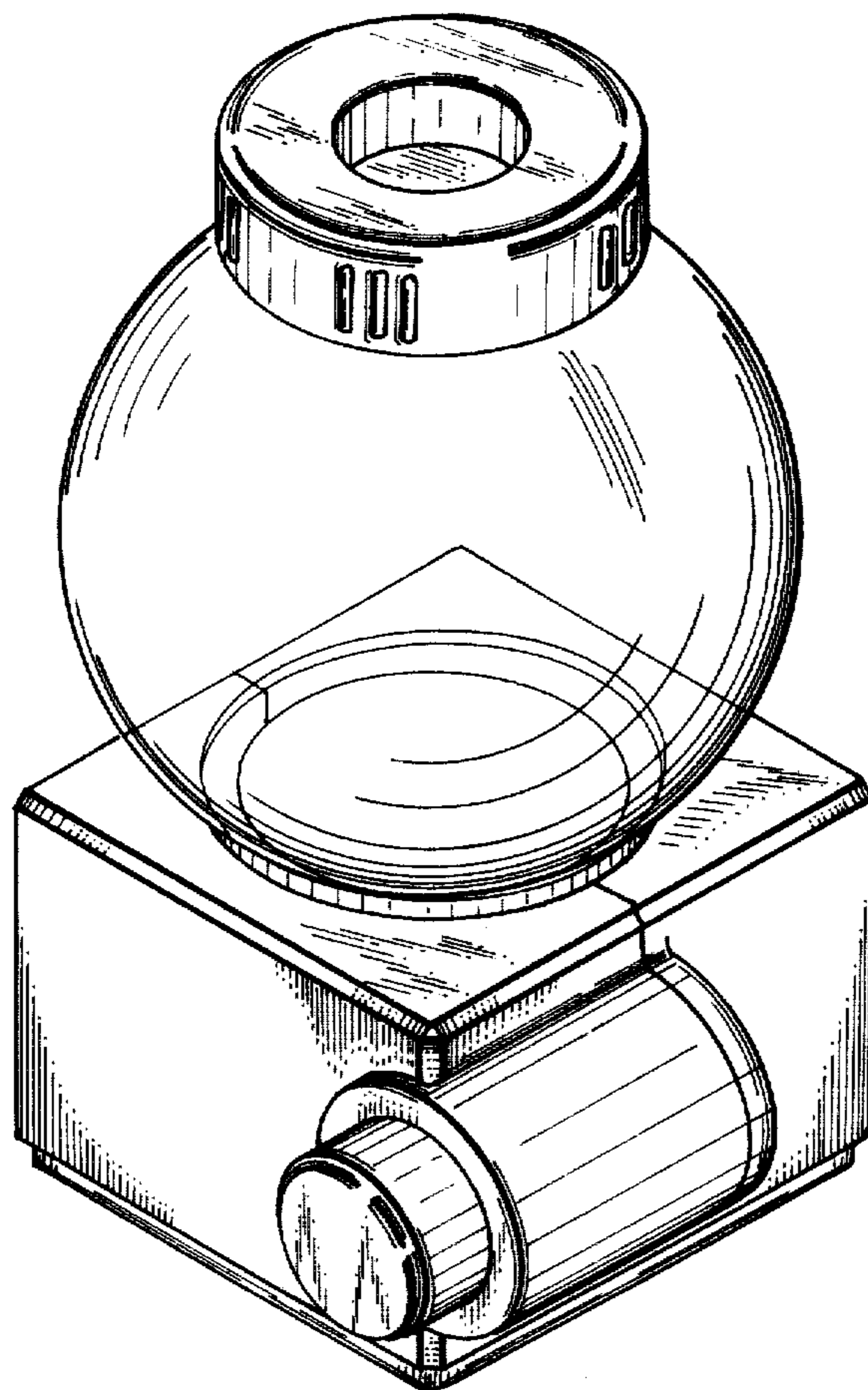
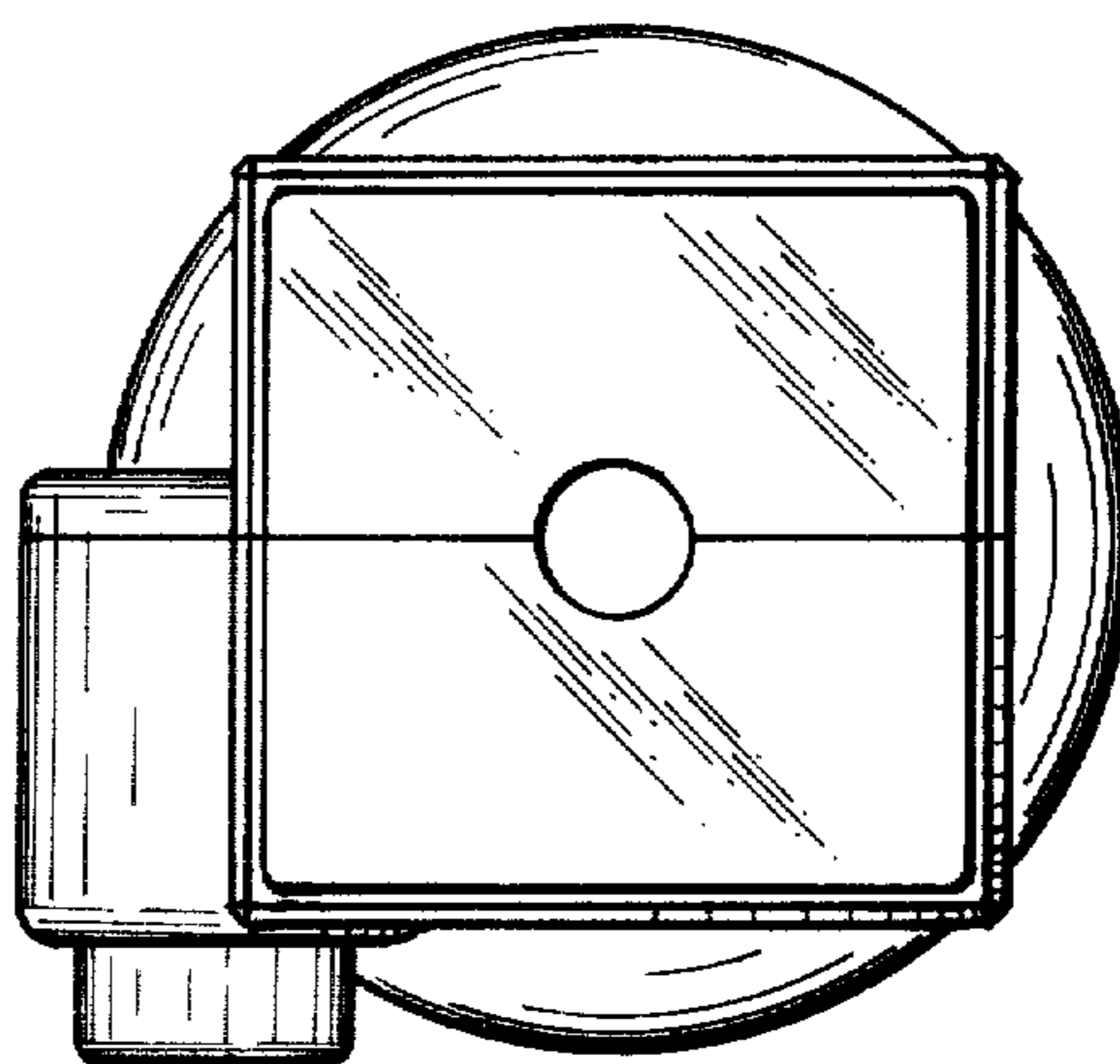


Fig. 1

Fig. 4



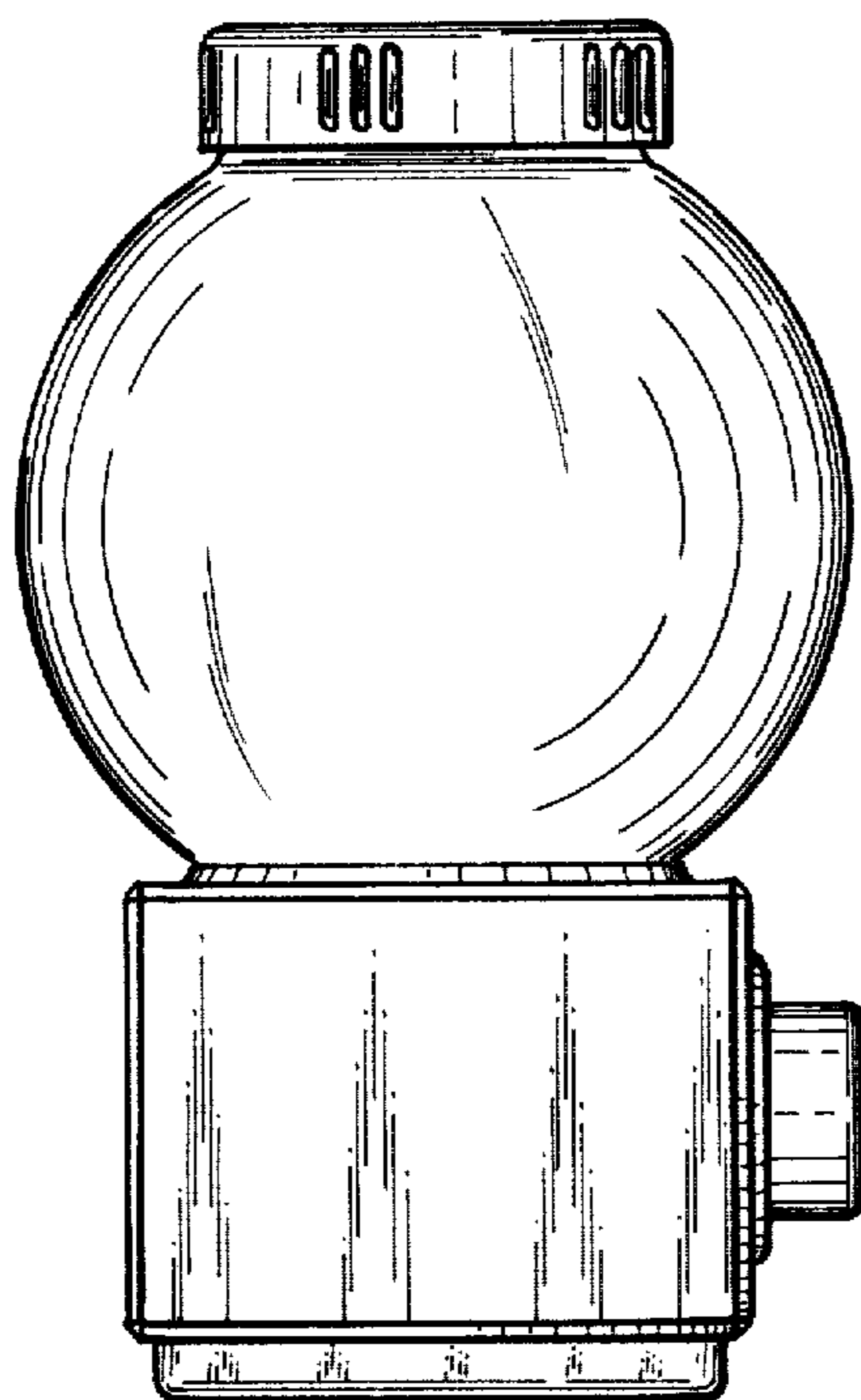


Fig. 2

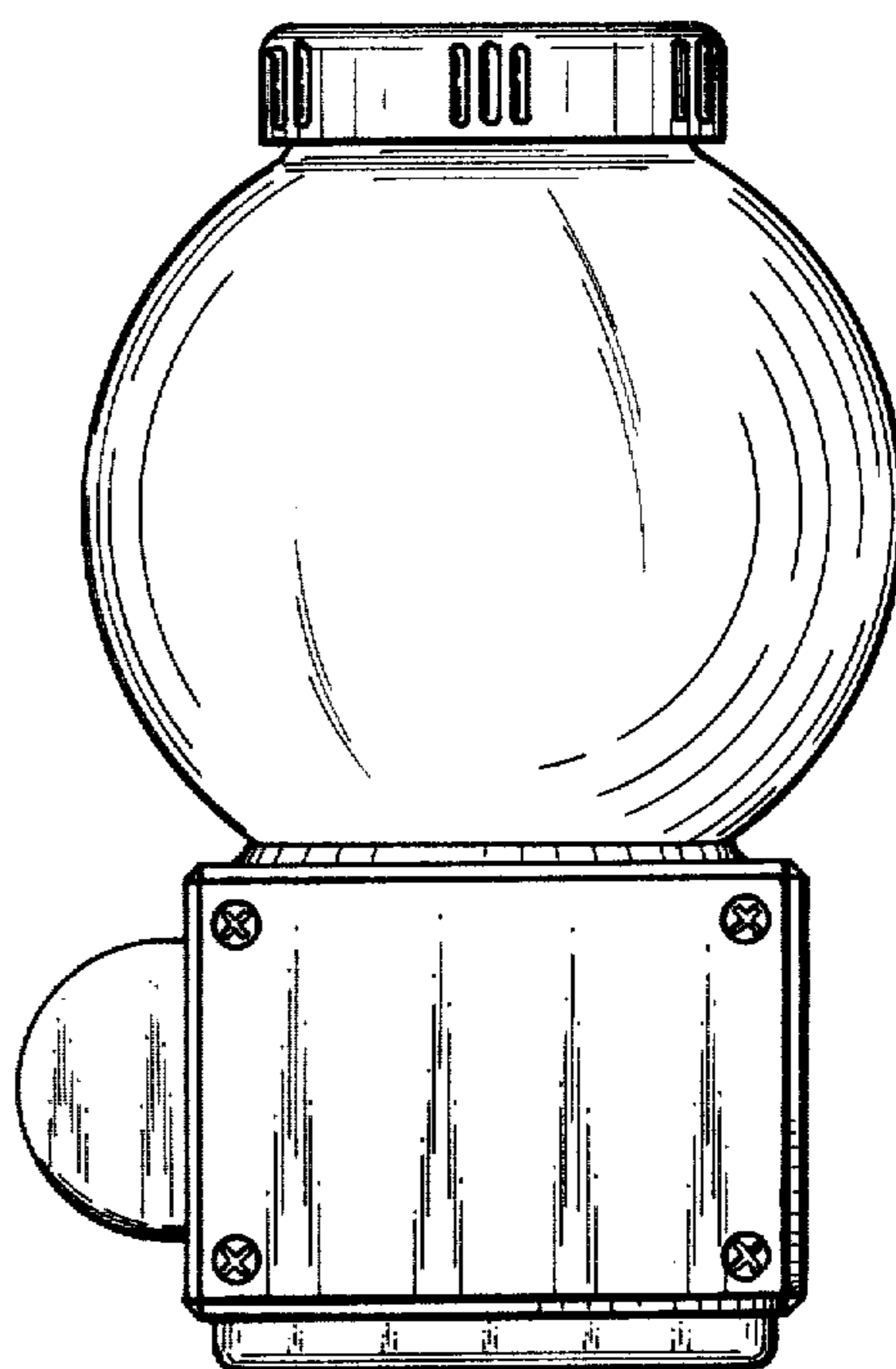


Fig. 3