

[54] **TRANSPARENCY VIEWER**

[75] Inventors: **Peter Lermann, Naring; Karl-Heinz Schultheiss, Taufkirchen, both of Fed. Rep. of Germany**

[73] Assignee: **AGFA-Gevaert AG, Leverkusen, Fed. Rep. of Germany**

[**] Term: **14 Years**

[21] Appl. No.: **175,201**

[22] Filed: **Jul. 31, 1980**

[51] Int. Cl. **D16-02**

[52] U.S. Cl. **D16/14; 40/367 X**

[58] Field of Search **D16/11, 14, 15, 17, D16/18; 40/361, 362, 367**

[56] **References Cited**
U.S. PATENT DOCUMENTS

D. 118,698	1/1940	Gillon	D16/11
D. 205,103	6/1966	Gingras	D16/14
D. 240,151	6/1976	Stubbmann	D16/17 X
D. 247,969	5/1978	Olson	D16/18
D. 251,788	5/1979	Alferow	D16/14

2,755,585	7/1956	Lubow	40/367
3,521,949	7/1970	Karow	D16/14 X
4,185,407	1/1980	Lamb	40/367

FOREIGN PATENT DOCUMENTS

1041272 10/1958 Fed. Rep. of Germany 40/367

Primary Examiner—Nelson C. Holtje
Attorney, Agent, or Firm—Michael J. Striker

[57] **CLAIM**

The ornamental design for a transparency viewer, substantially as shown and described.

DESCRIPTION

FIG. 1 is a top and right front perspective view of a transparency viewer showing our new design; FIG. 2 is a front elevational view thereof; FIG. 3 is a rear elevational view thereof; FIG. 4 is a top plan view thereof; FIG. 5 is a bottom plan view thereof; FIG. 6 is a left side elevational view thereof; and FIG. 7 is a right side elevational view thereof. The picture disclosed in FIGS. 1 and 2 represents a transparency which does not form a part of the article claimed.

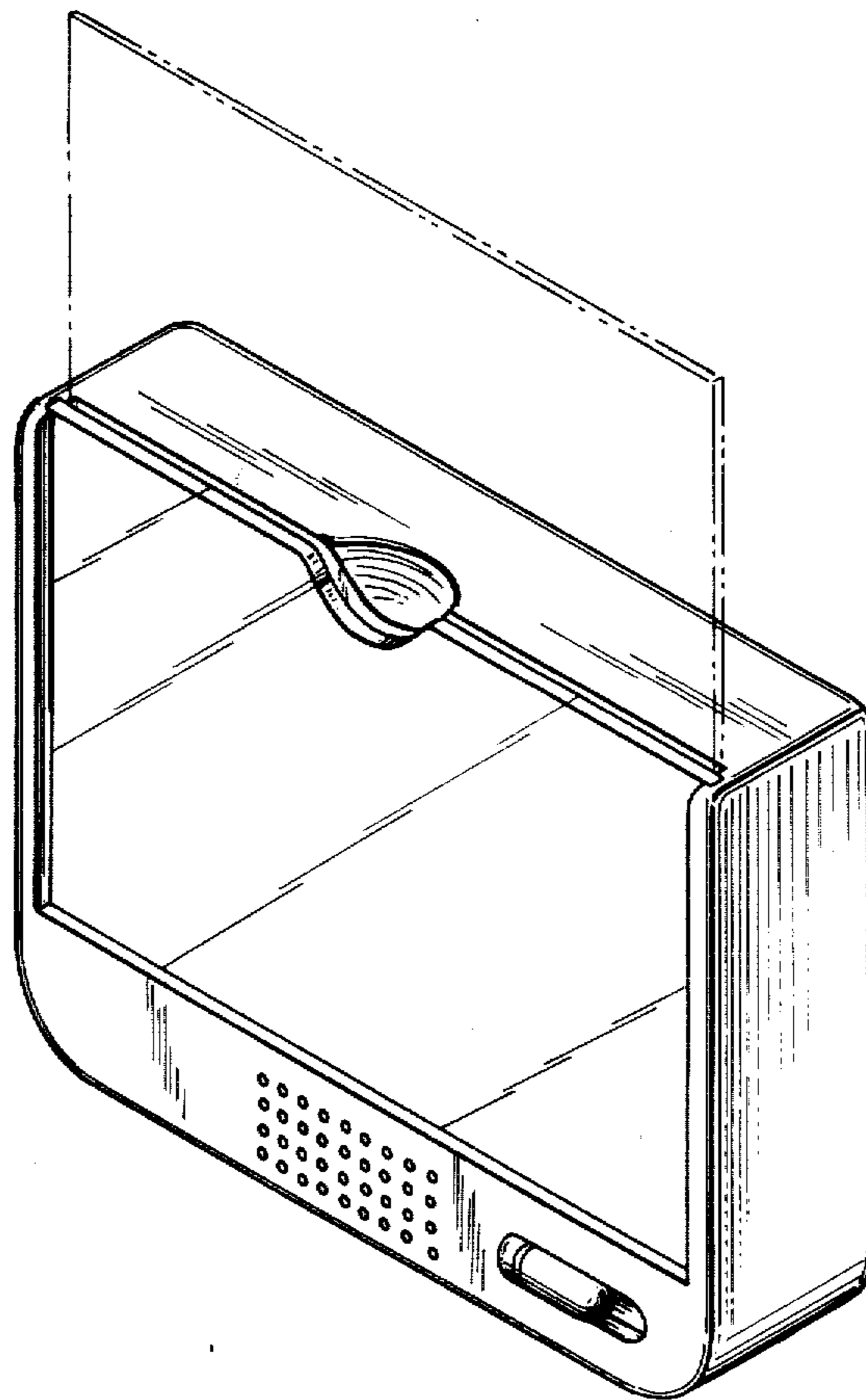
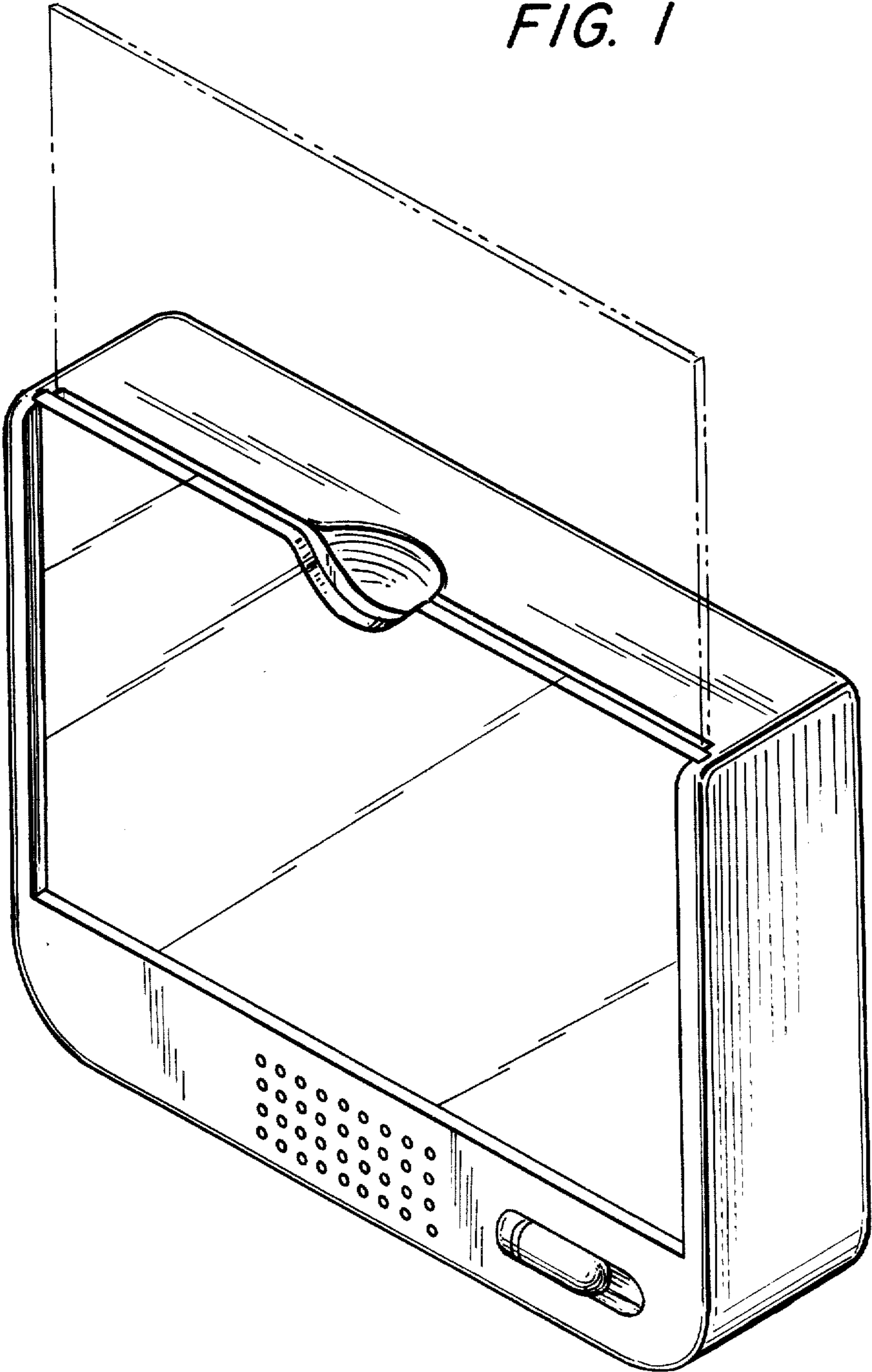


FIG. 1



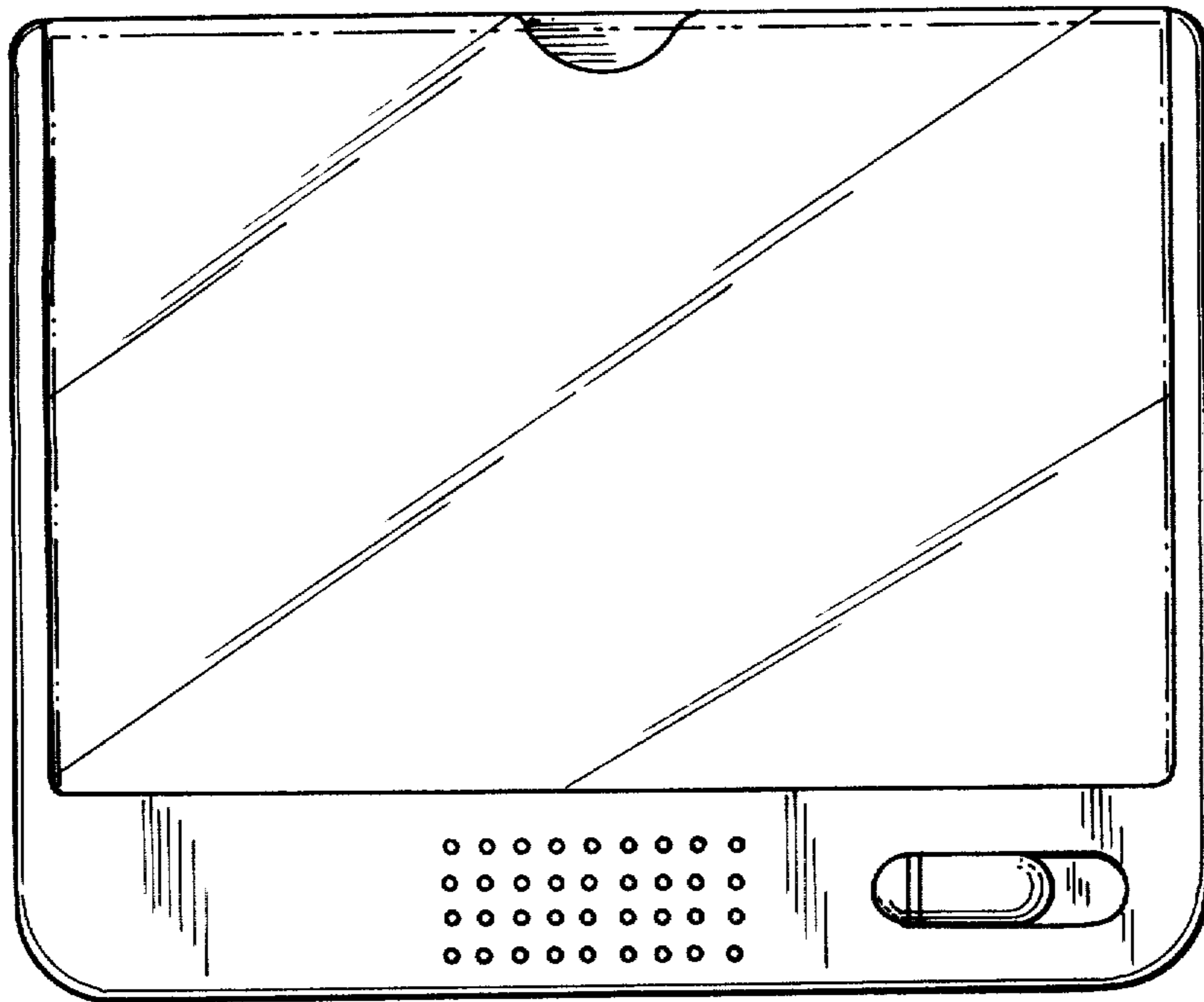


FIG. 2

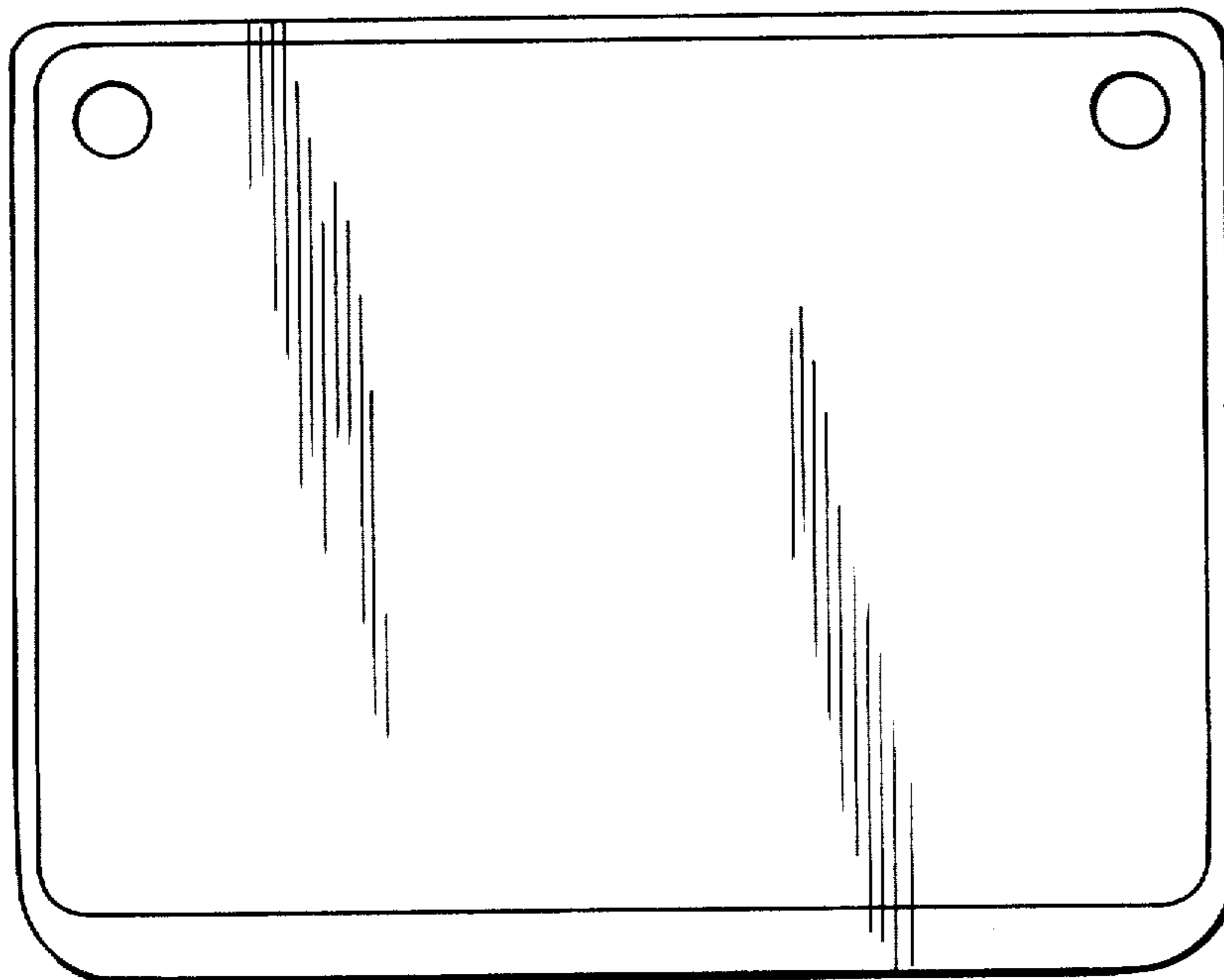


FIG. 3

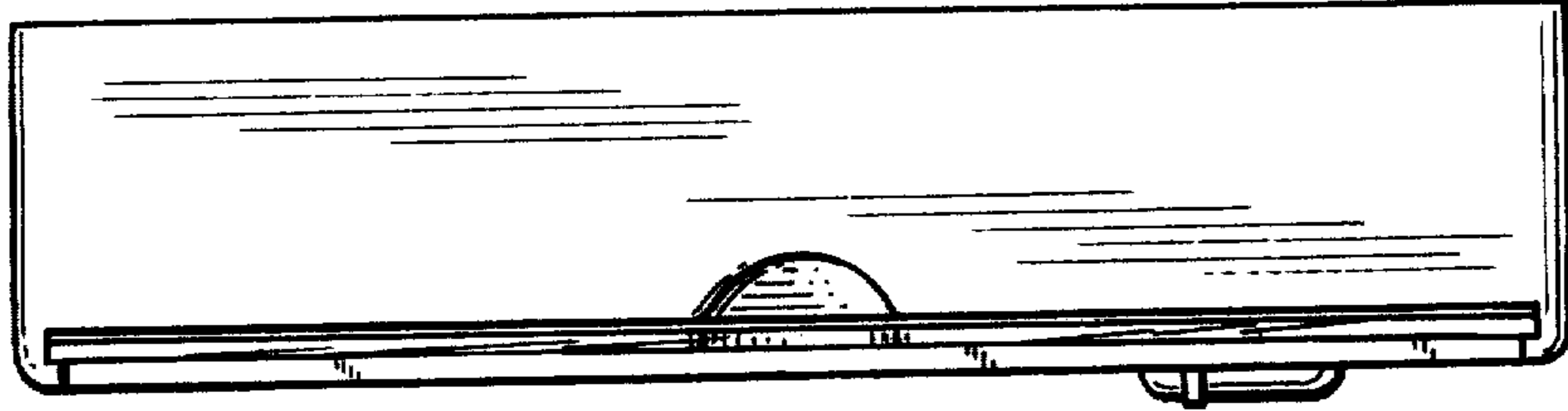


FIG. 4

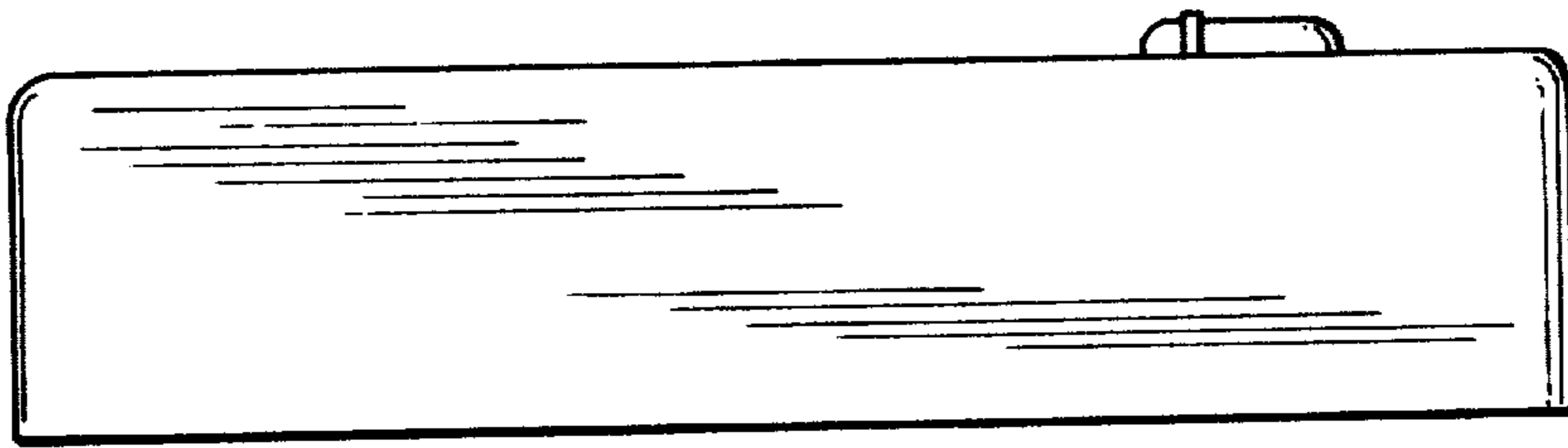


FIG. 5

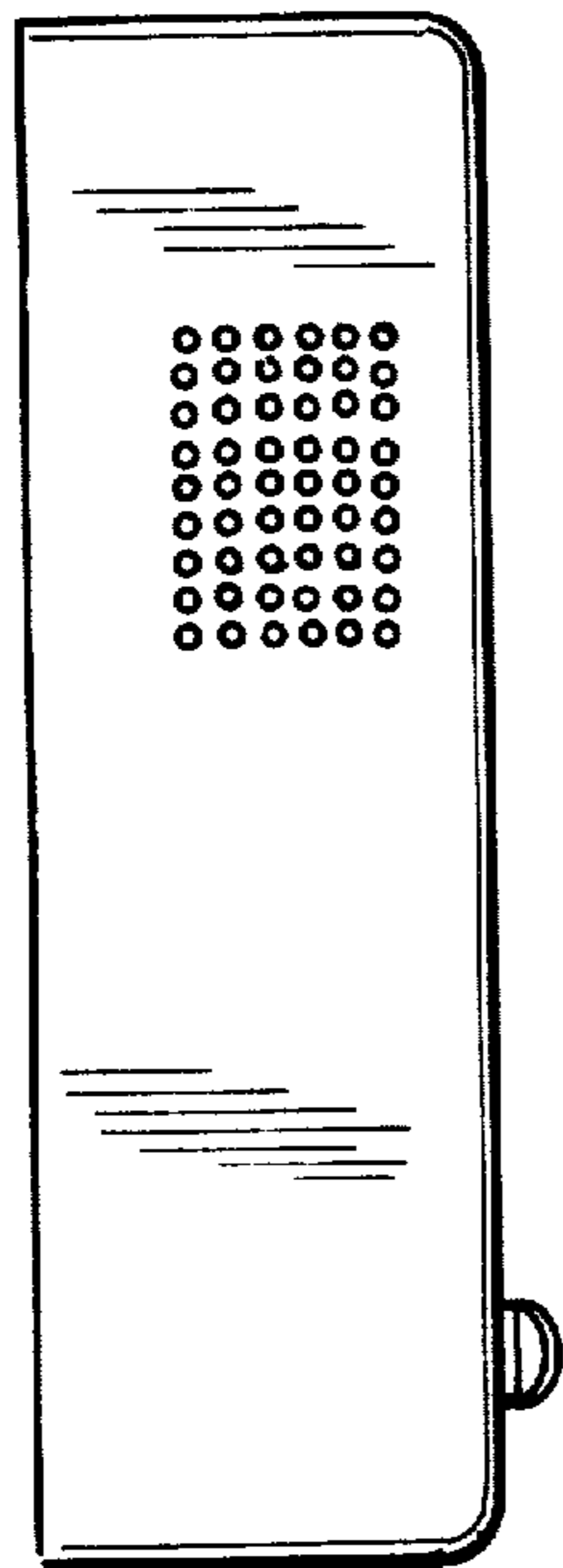


FIG. 6

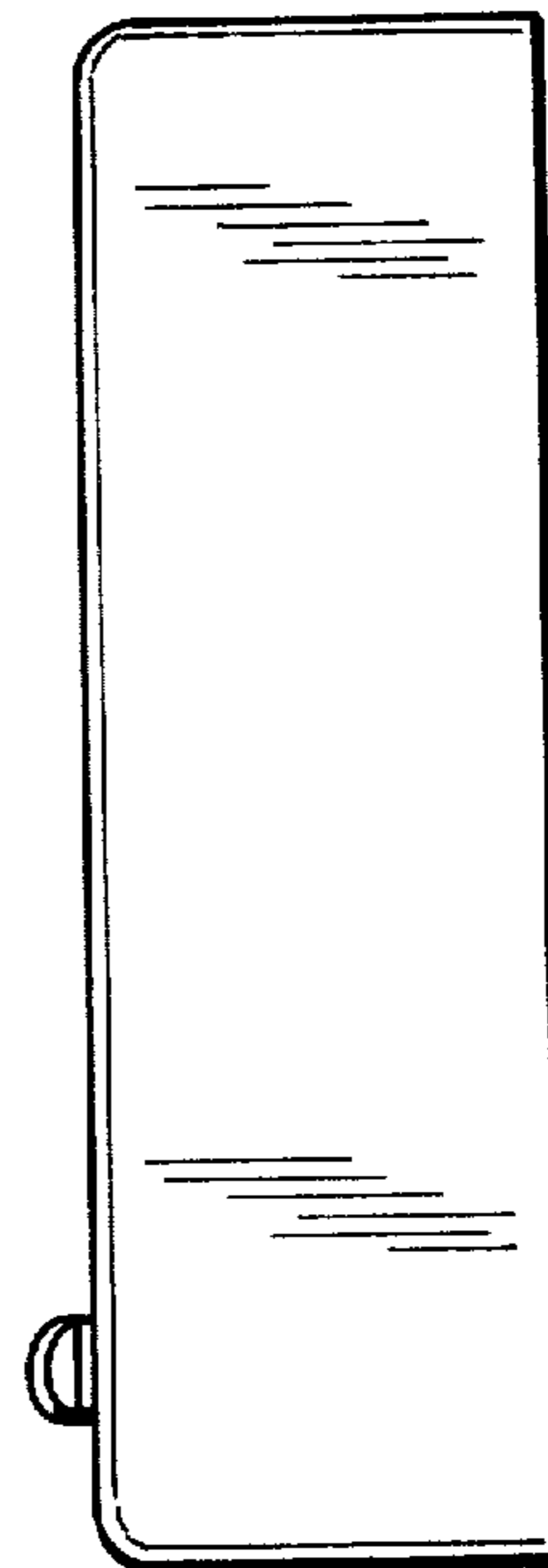


FIG. 7