

[54] **CLEANING BIT FOR DADO AND RABBET JOINTS OR THE LIKE**

3,001,558 9/1961 Showler 144/218
3,303,862 2/1967 Westenberger 144/218
3,656,521 4/1972 Czerniewicz 144/219

[76] Inventor: **Bradford C. Strohmaier**, 3387 Mayfair Blvd., Fresno, Calif. 93703

Primary Examiner—B. J. Bullock
Attorney, Agent, or Firm—David E. Leslie; Richard M. Worrel

[**] Term: **14 Years**

[21] Appl. No.: **171,992**

[57] **CLAIM**

[22] Filed: **Jul. 24, 1980**

The ornamental design for a cleaning bit for dado and rabbet joints or the like, as shown and described.

[51] Int. Cl. **D15-09**

DESCRIPTION

[52] U.S. Cl. **D15/139**

[58] Field of Search D15/138, 139; 144/134 D, 136 R, 136 C, 219, 240, 218

FIG. 1 is a perspective view of a cleaning bit for dado and rabbet joints or the like showing my new design.

FIG. 2 is a perspective view taken from the end opposite that shown in FIG. 1.

FIG. 3 is a bottom plan view thereof.

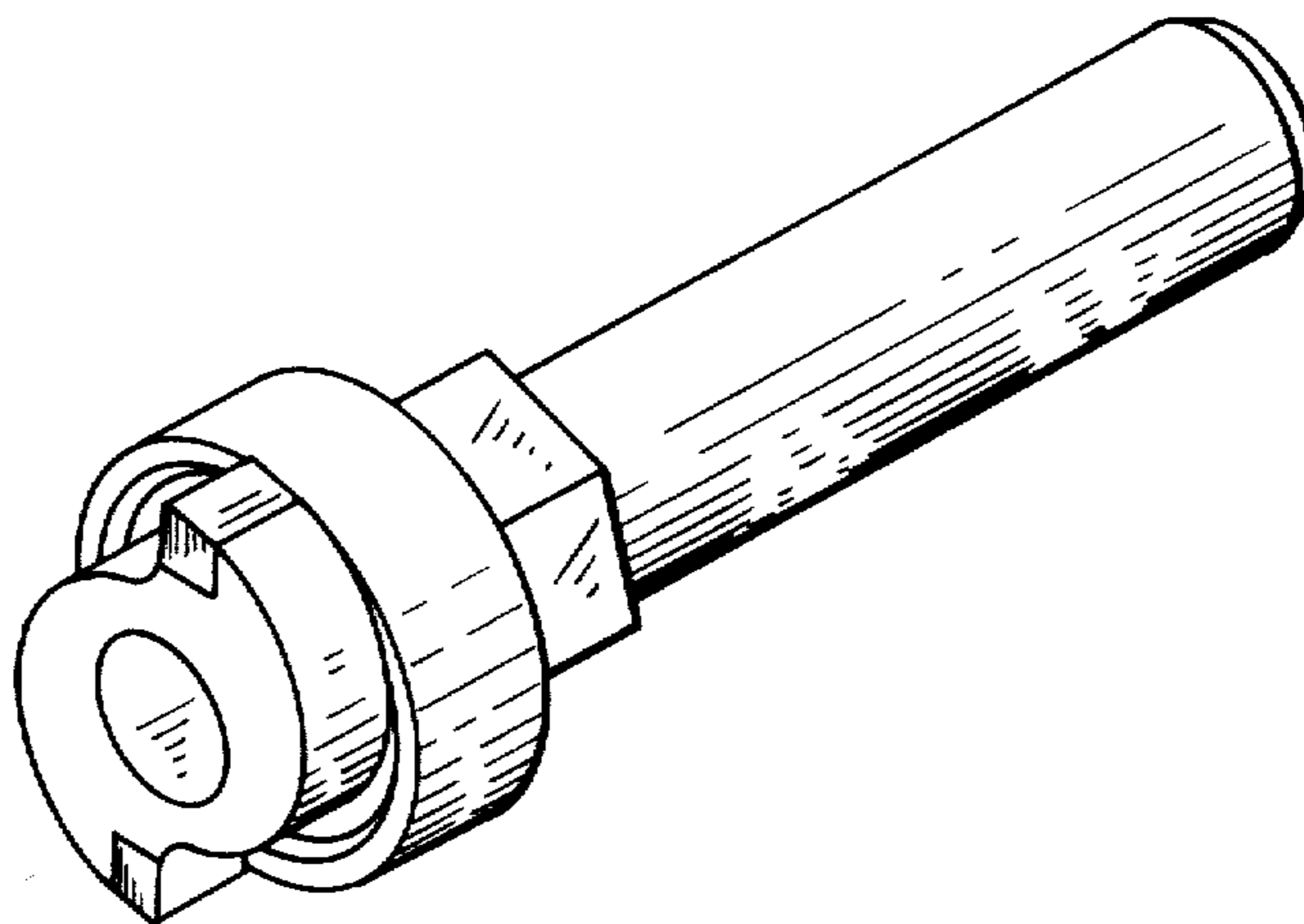
FIG. 4 is a top plan view thereof.

FIG. 5 is a side elevational view thereof.

[56] **References Cited**

U.S. PATENT DOCUMENTS

1,632,440 6/1927 Follett et al. 144/136 R



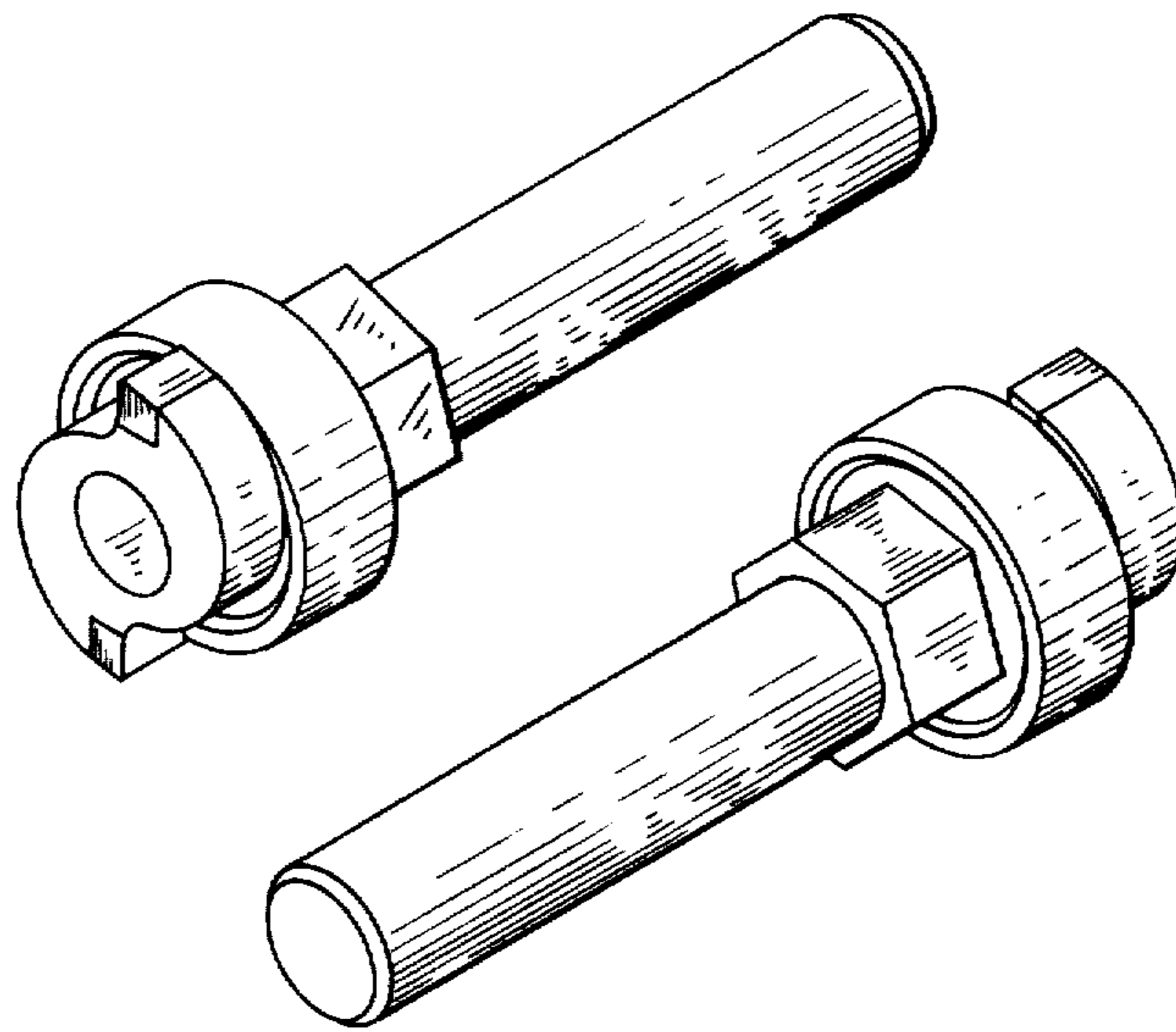


FIG. 1

FIG. 2

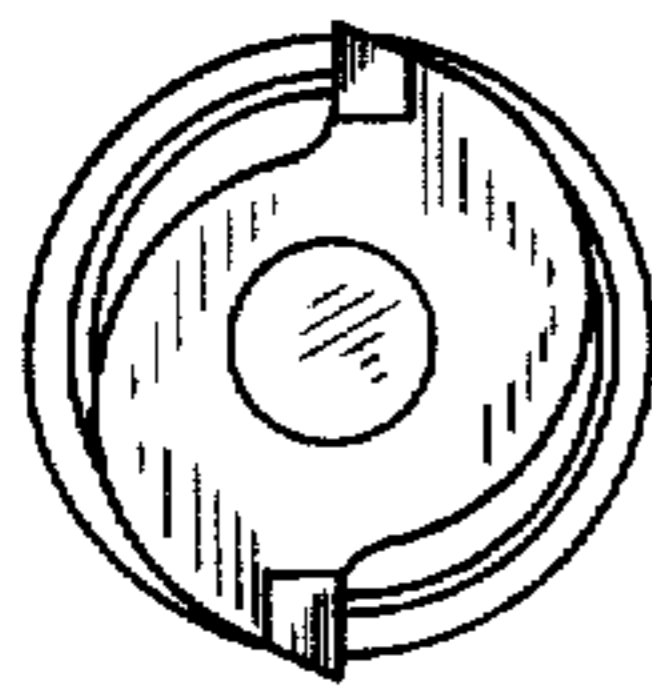


FIG. 3

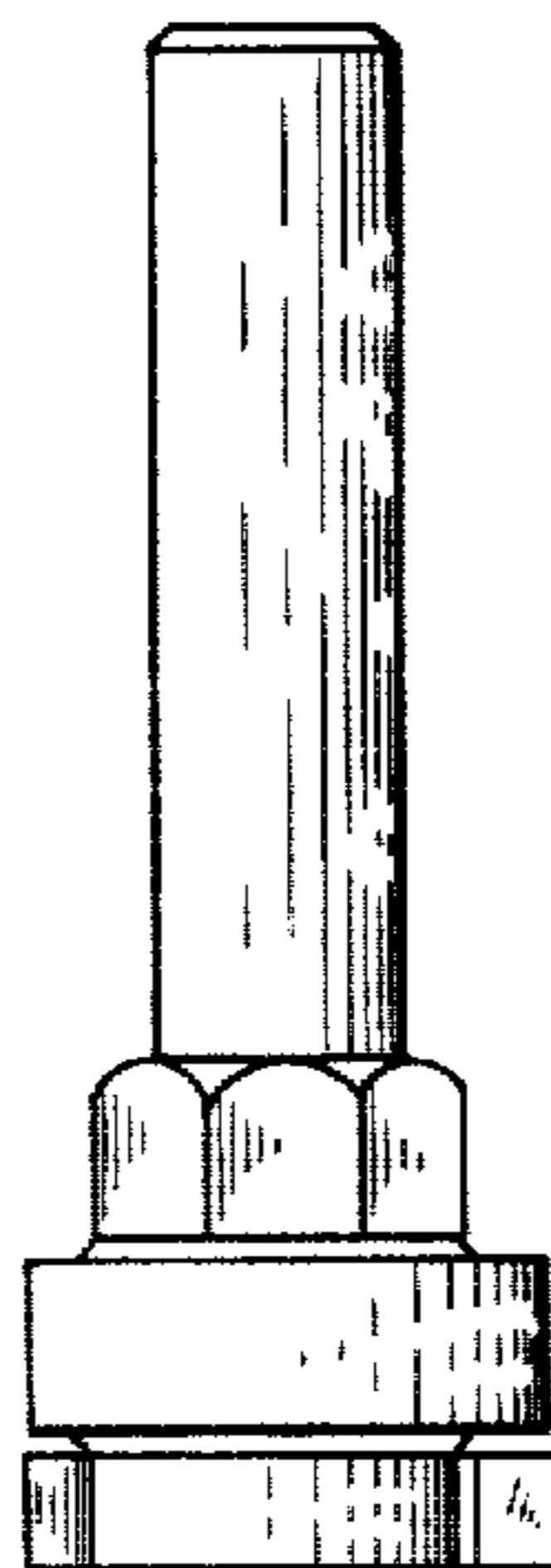


FIG. 5

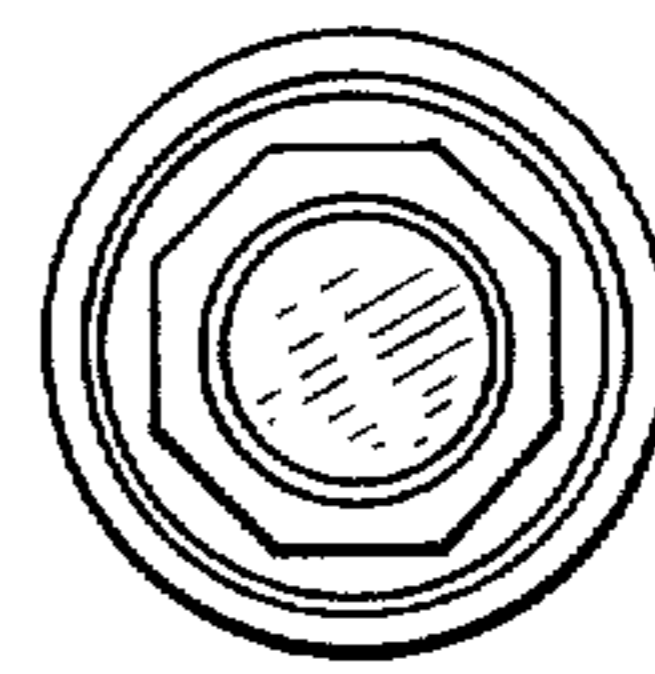


FIG. 4