

[54] FOOD SLICER

[75] Inventors: Louis Cantatore, Edison; J. Richard Beltram, Livingston, both of N.J.

[73] Assignee: International Edge Tool Co., Roseland, N.J.

[\*\*] Term: 14 Years

[21] Appl. No.: 151,517

[22] Filed: May 19, 1980

[51] Int. Cl. .... D15-08

[52] U.S. Cl. .... D7/383

[58] Field of Search ..... D15/97; 83/717, 718, 83/719, 720

[56] References Cited

U.S. PATENT DOCUMENTS

D. 155,292	9/1949	Klingens et al. ....	D15/97
D. 162,996	4/1951	Sivertsen .....	D15/97
D. 190,051	4/1961	Lundell .....	D15/97
2,827,092	3/1958	Fehlmann .....	83/717

3,146,814 9/1964 Anecki ..... 83/717

Primary Examiner—Susan J. Lucas  
Attorney, Agent, or Firm—Wood, Herron & Evans

[57] CLAIM

The ornamental design for a food slicer, as shown and described.

DESCRIPTION

FIG. 1 is a perspective view of a food slicer showing our new design.

FIG. 2 is a side elevational view thereof taken from the left side in FIG. 1 on an enlarged scale.

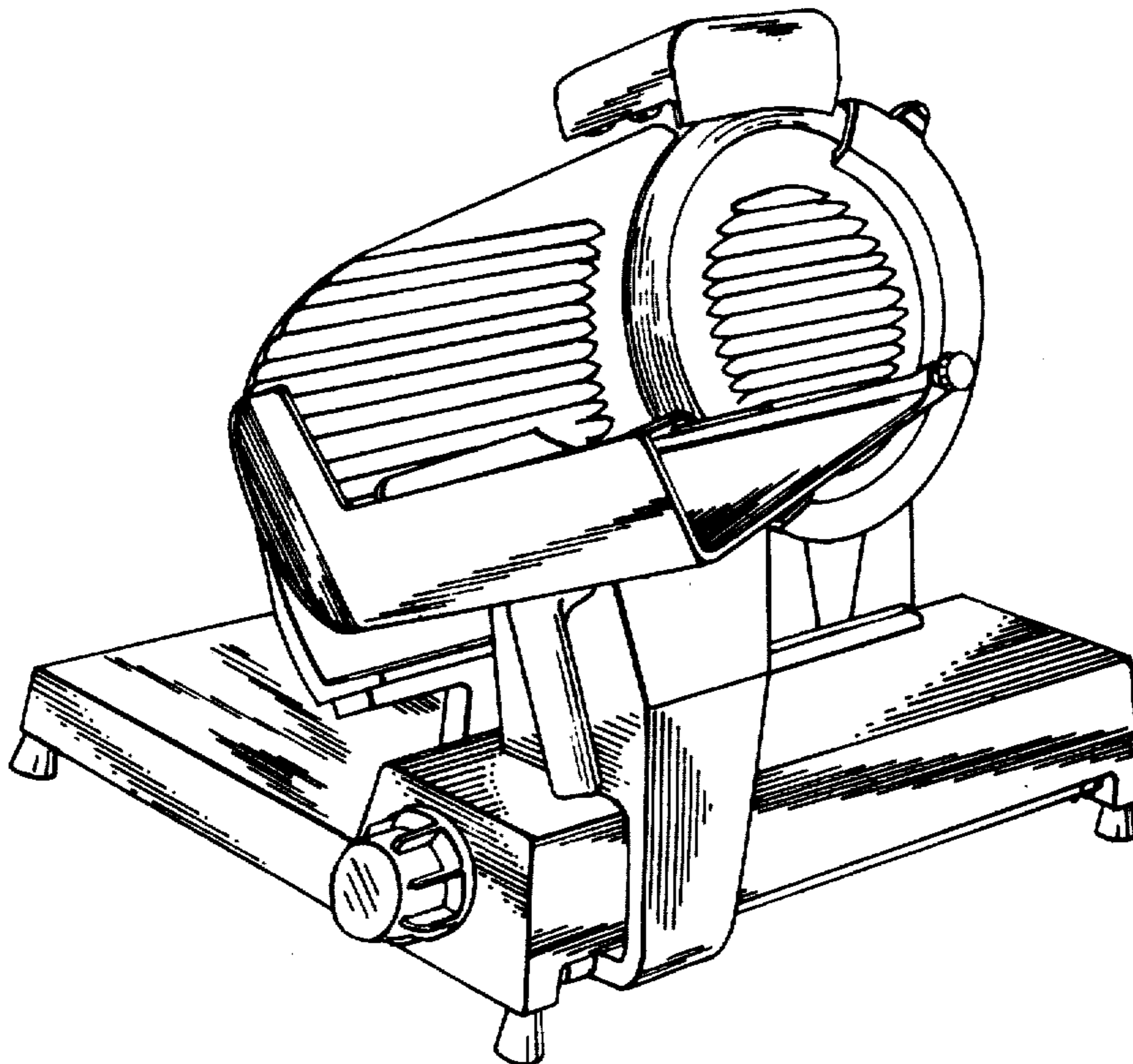
FIG. 3 is a side elevational view thereof taken from the right side in FIG. 1 on an enlarged scale.

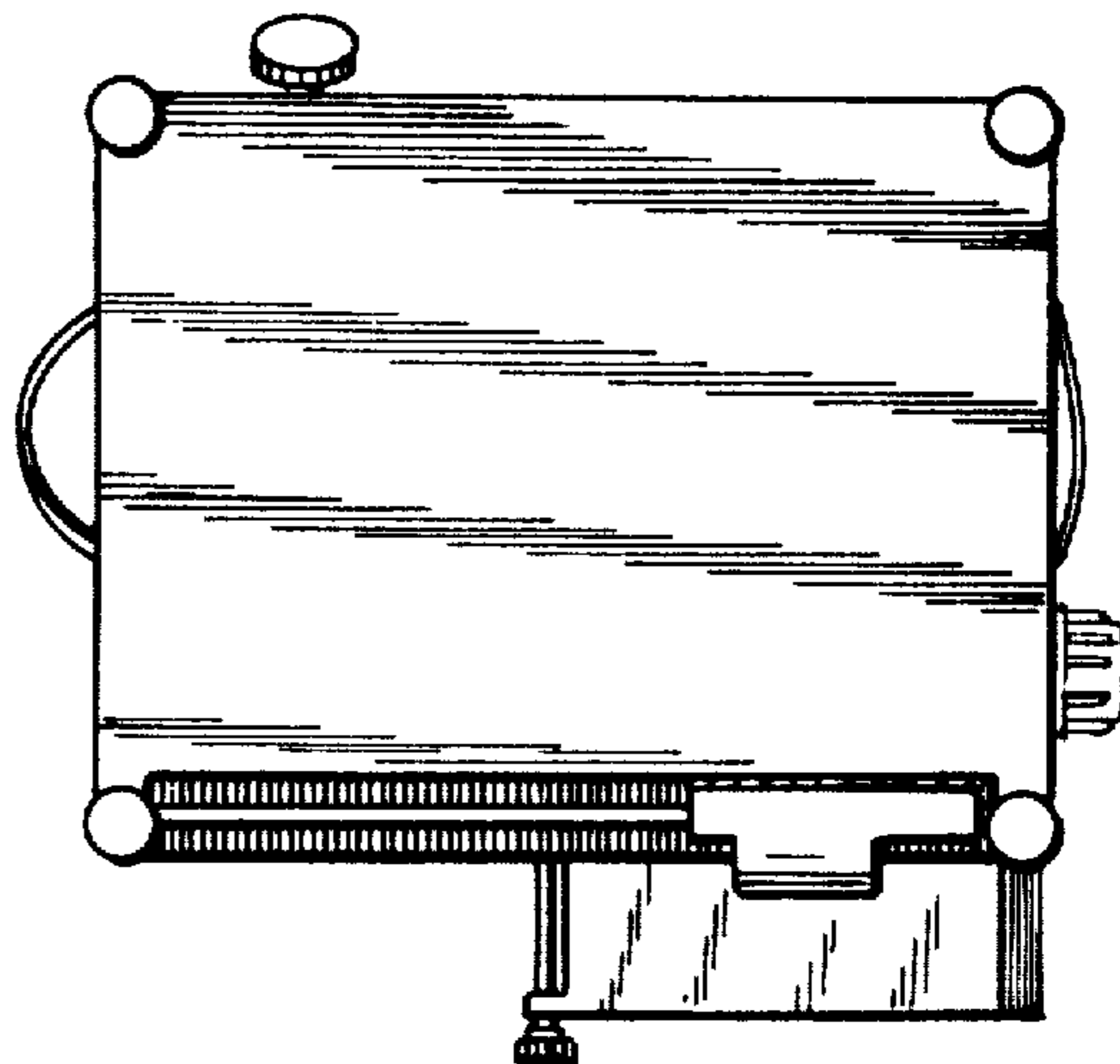
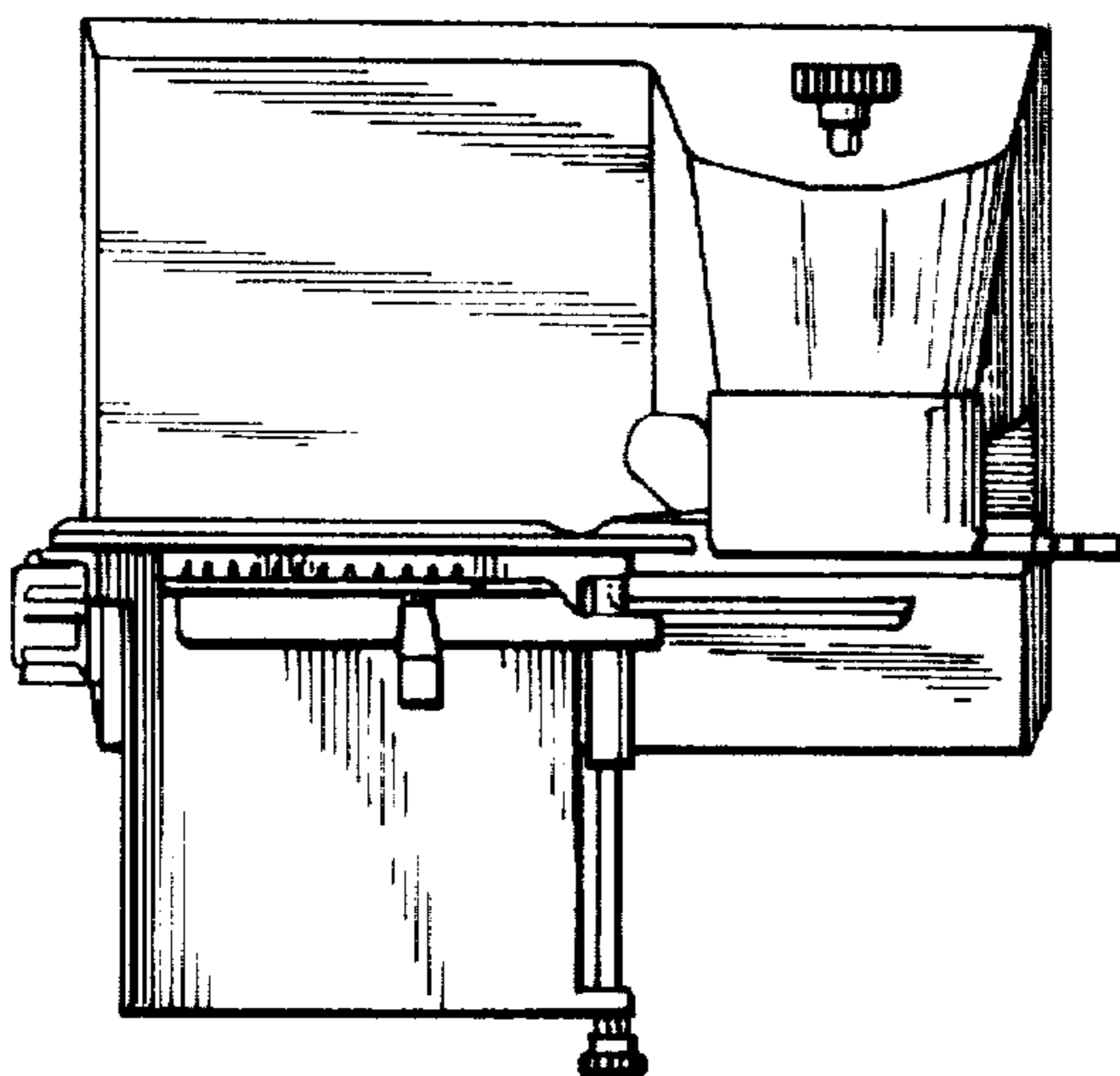
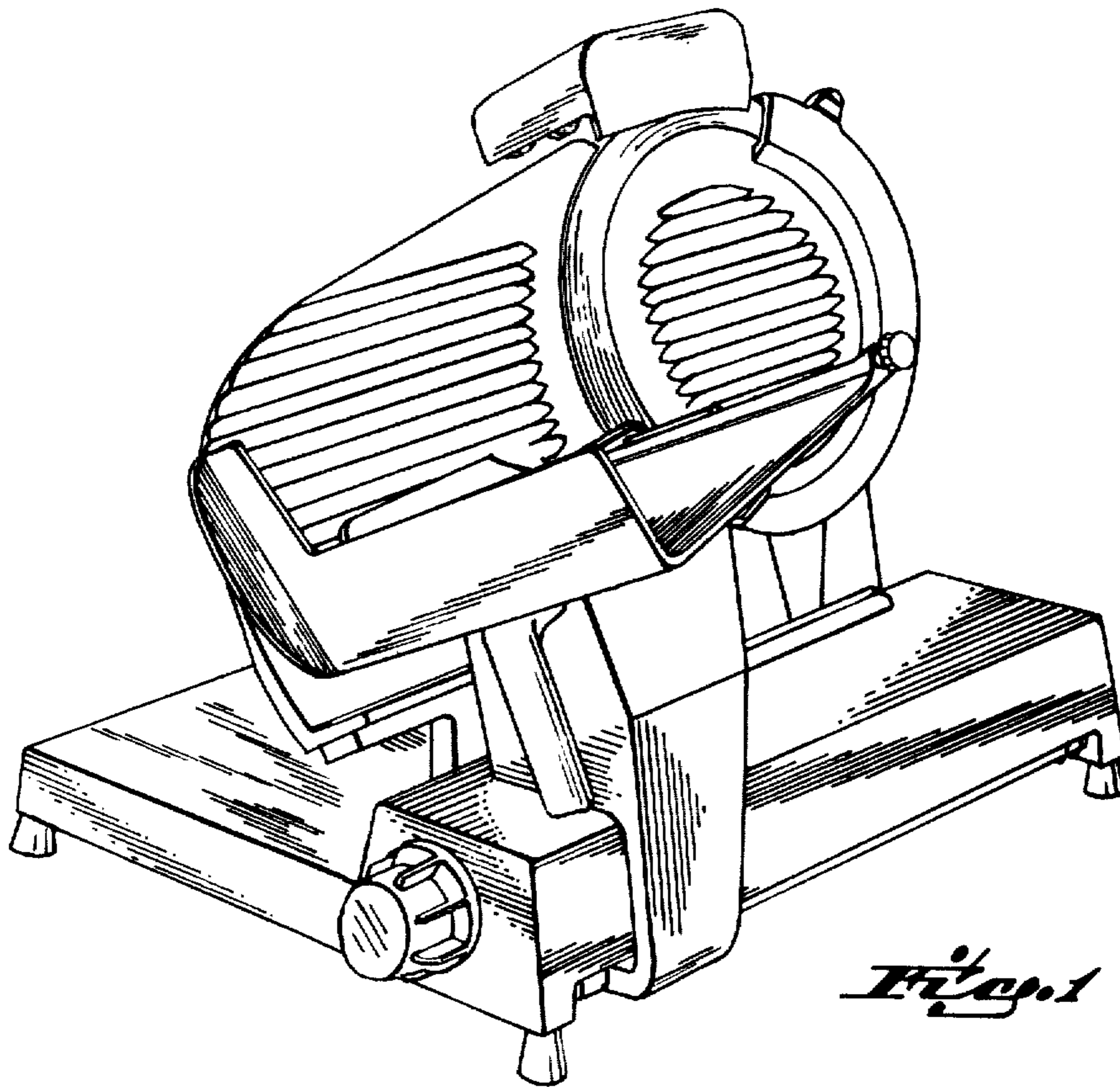
FIG. 4 is a front elevational view of the food slicer as seen on line 4-4 in FIG. 2.

FIG. 5 is a rear view of the food slicer as seen on line 5-5 of FIG. 2.

FIG. 6 is a top view of the food slicer on a reduced scale as seen on line 6-6 of FIG. 2.

FIG. 7 is a bottom view of the food slicer on a reduced scale.

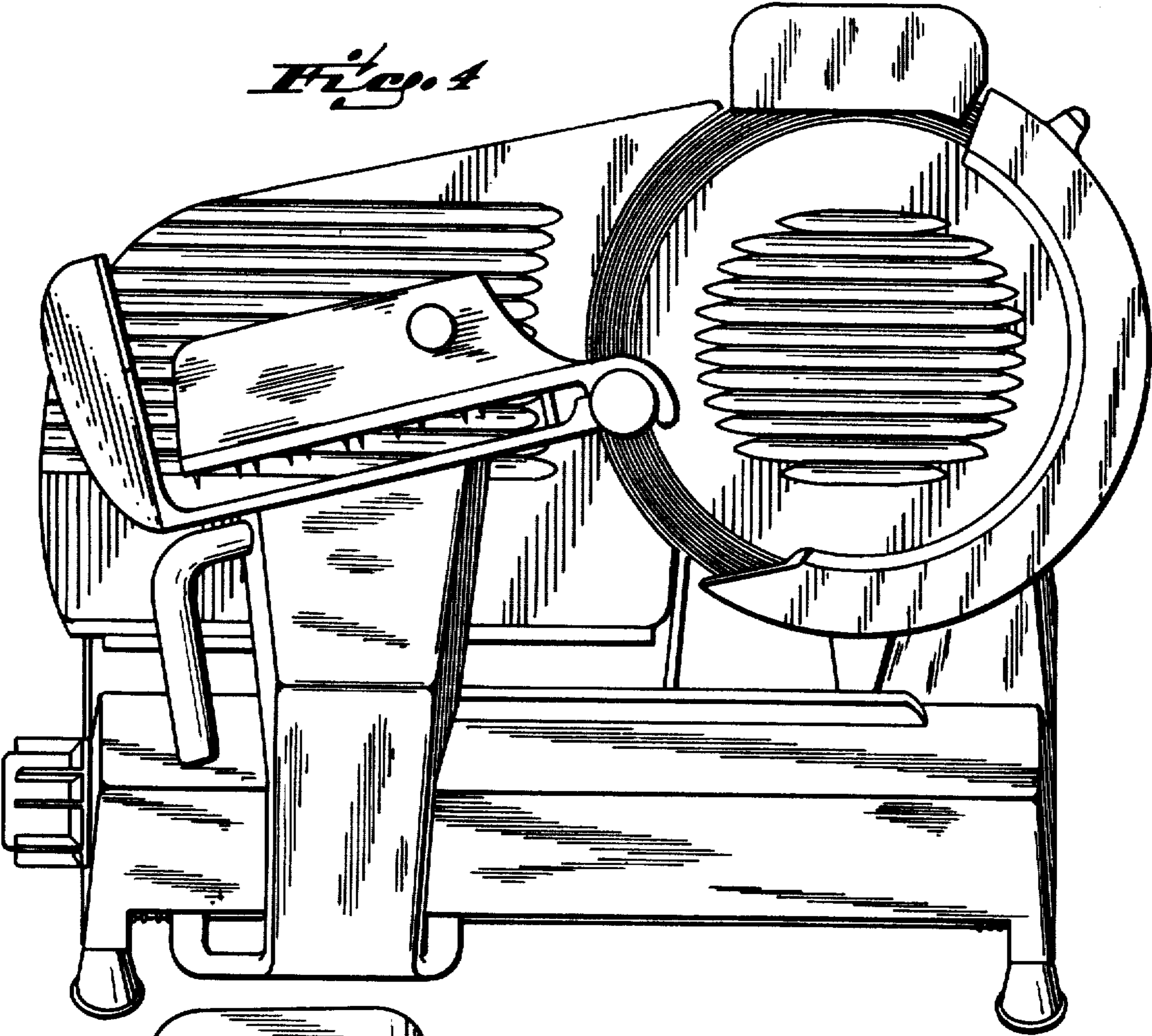




*Fig. 6*

*Fig. 7*

*Fig. 4*



*Fig. 5*

