

[54] **PRINTER**

- [75] Inventor: **Angelo M. LaBarbera**, Liverpool, N.Y.  
[73] Assignee: **SCM Corporation**, New York, N.Y.  
[\*\*] Term: **14 Years**  
[21] Appl. No.: **280,178**  
[22] Filed: **Jul. 6, 1981**  
[51] Int. Cl. .... **D14-02; D18-02**  
[52] U.S. Cl. .... **D14/111; D18/13**  
[58] Field of Search ..... **D14/100-116; D18/1, 13, 23; 400/693, 62, 69, 70**

[56]

**References Cited**

**U.S. PATENT DOCUMENTS**

- |            |        |               |       |         |
|------------|--------|---------------|-------|---------|
| D. 236,835 | 9/1975 | Kramer        | ..... | D14/111 |
| D. 249,347 | 9/1978 | Zierhut       | ..... | D14/111 |
| D. 251,492 | 4/1979 | Kneale et al. | ..... | D14/111 |

**OTHER PUBLICATIONS**

Computer Products, 4/79, p. 30, Racal-Milgo, Inc., Stand-Alone CRT Workstation Printer.

*Primary Examiner*—Susan J. Lucas

*Attorney, Agent, or Firm*—William E. Mear, III; Ernest F. Weinberger

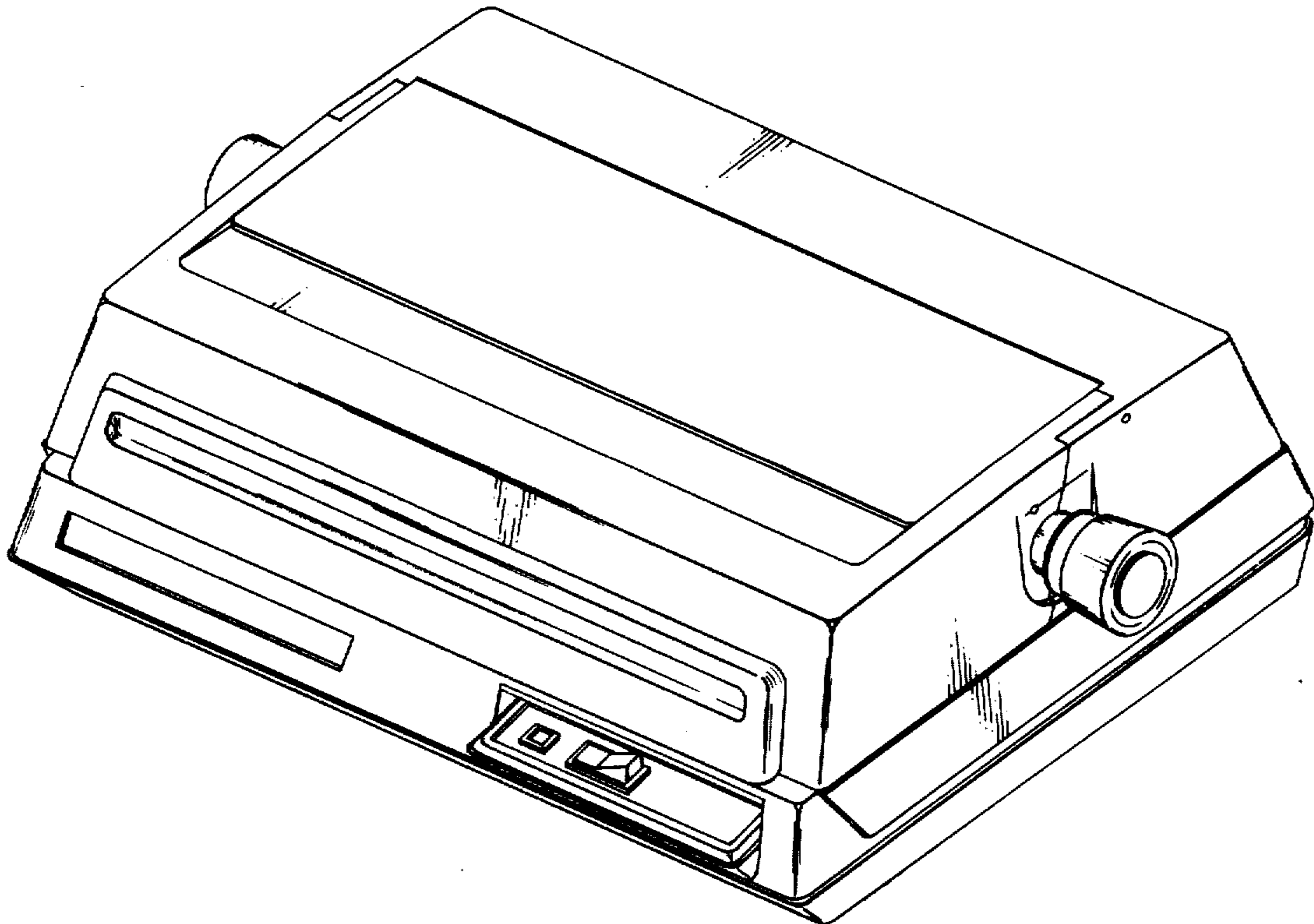
[57]

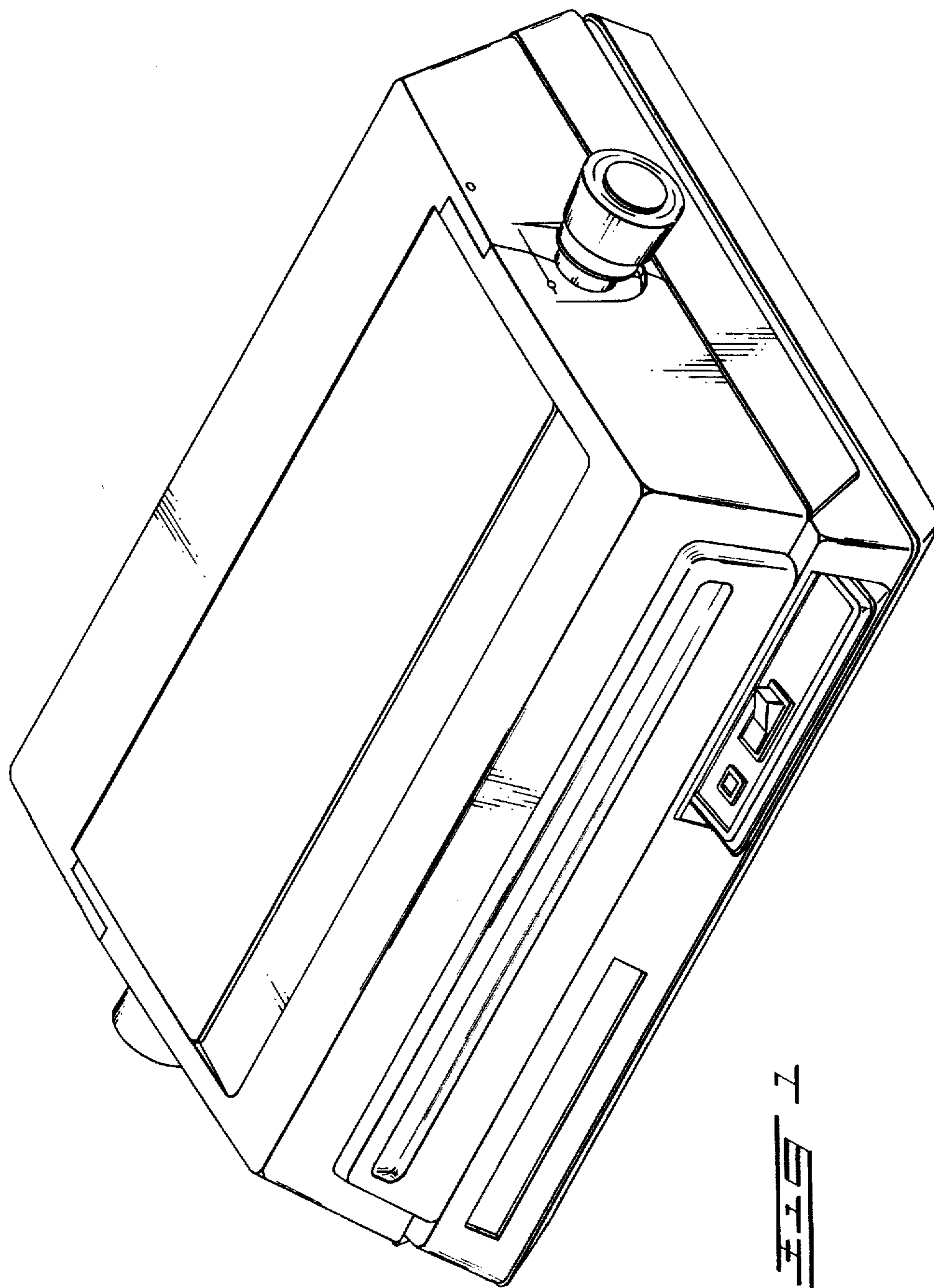
**CLAIM**

The ornamental design for a printer, as shown and described.

**DESCRIPTION**

FIG. 1 is a front perspective view of a printer showing my new design;  
FIG. 2 is a top plan view thereof on an enlarged scale;  
FIG. 3 is a bottom plan view thereof on an enlarged scale;  
FIG. 4 is a front elevational view thereof on an enlarged scale;  
FIG. 5 is a rear elevational view thereof on an enlarged scale;  
FIG. 6 is a left side elevational view thereof on an enlarged scale; and  
FIG. 7 is a right side elevational view thereof on an enlarged scale.





1-515

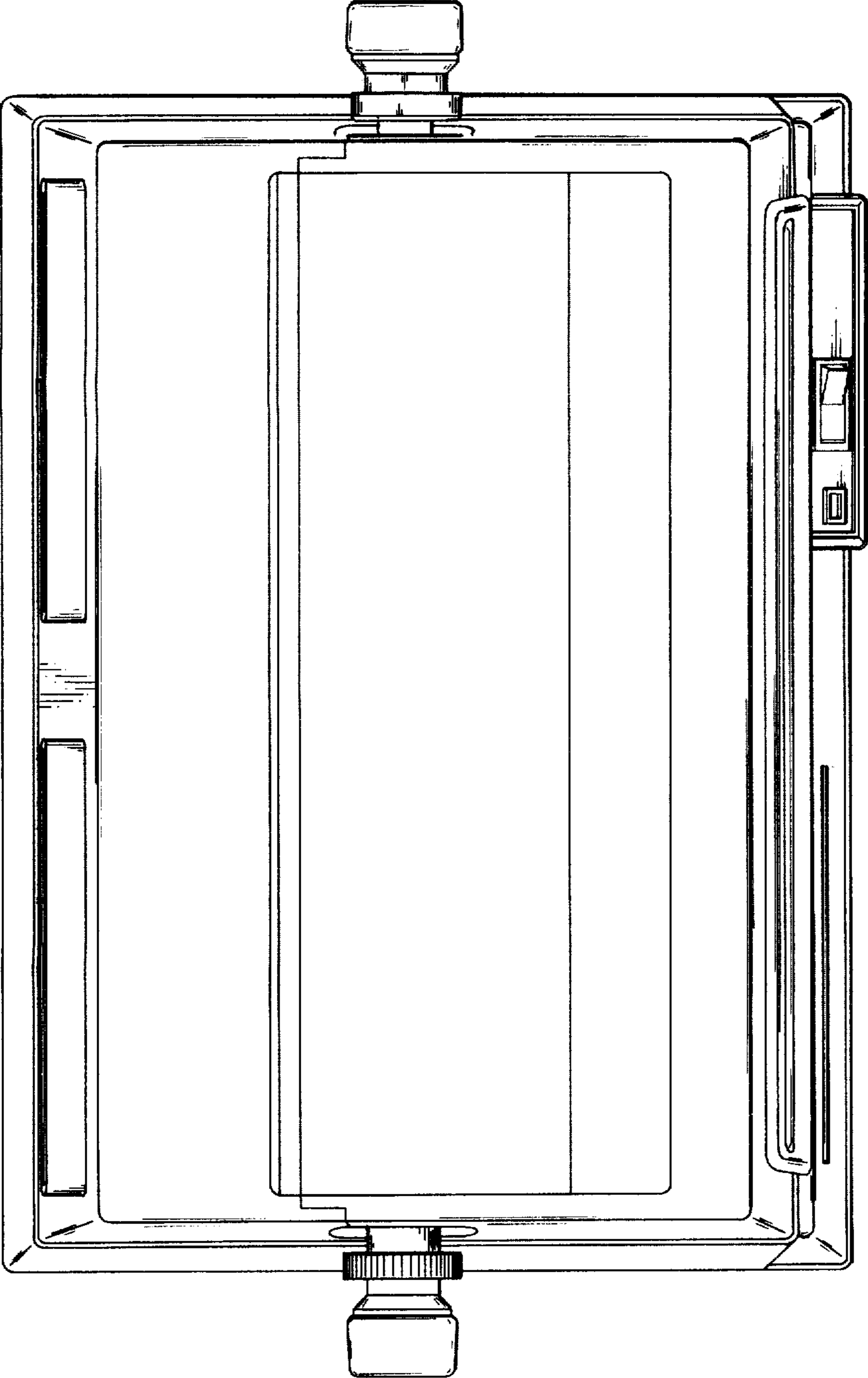


Fig. 2

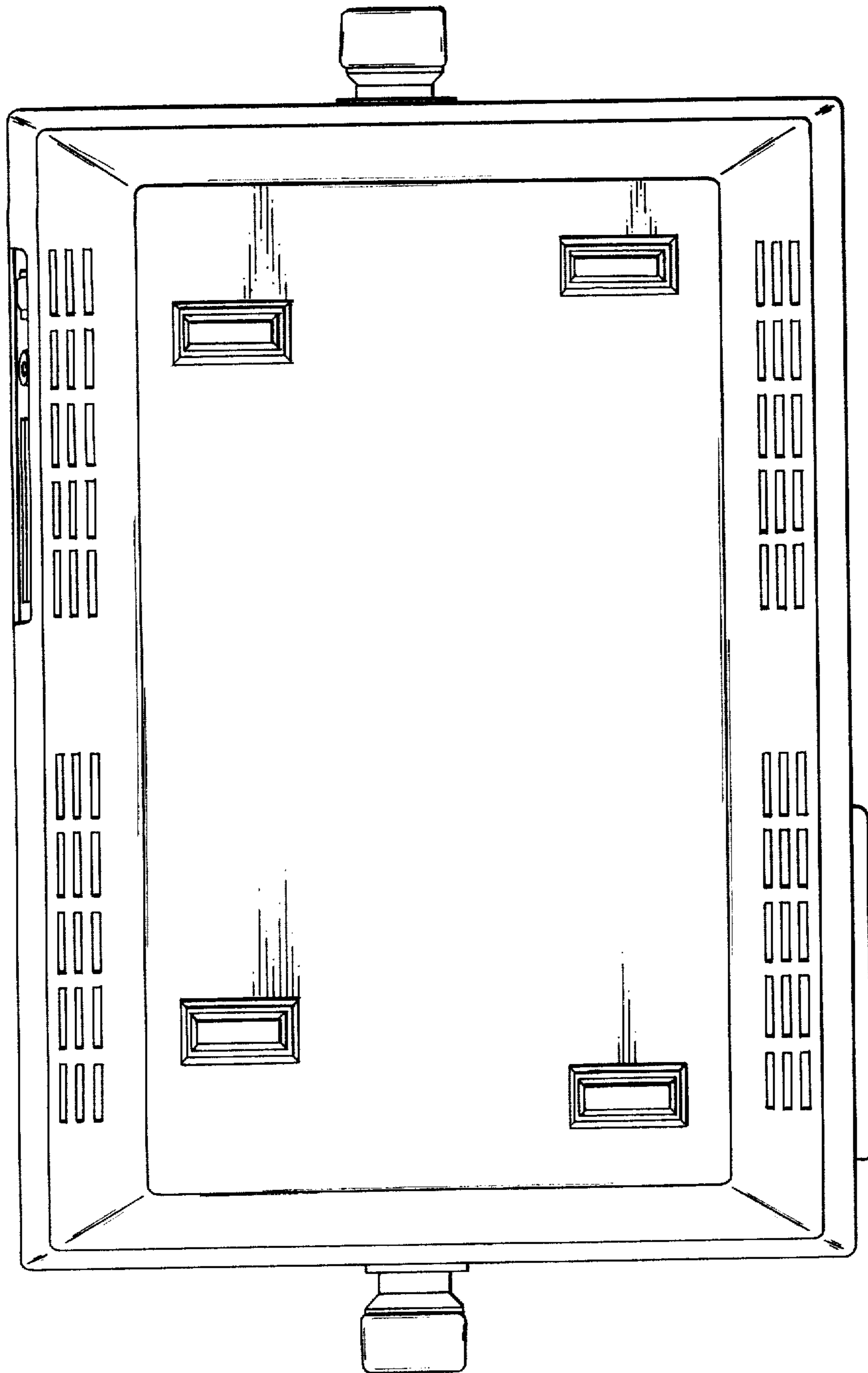
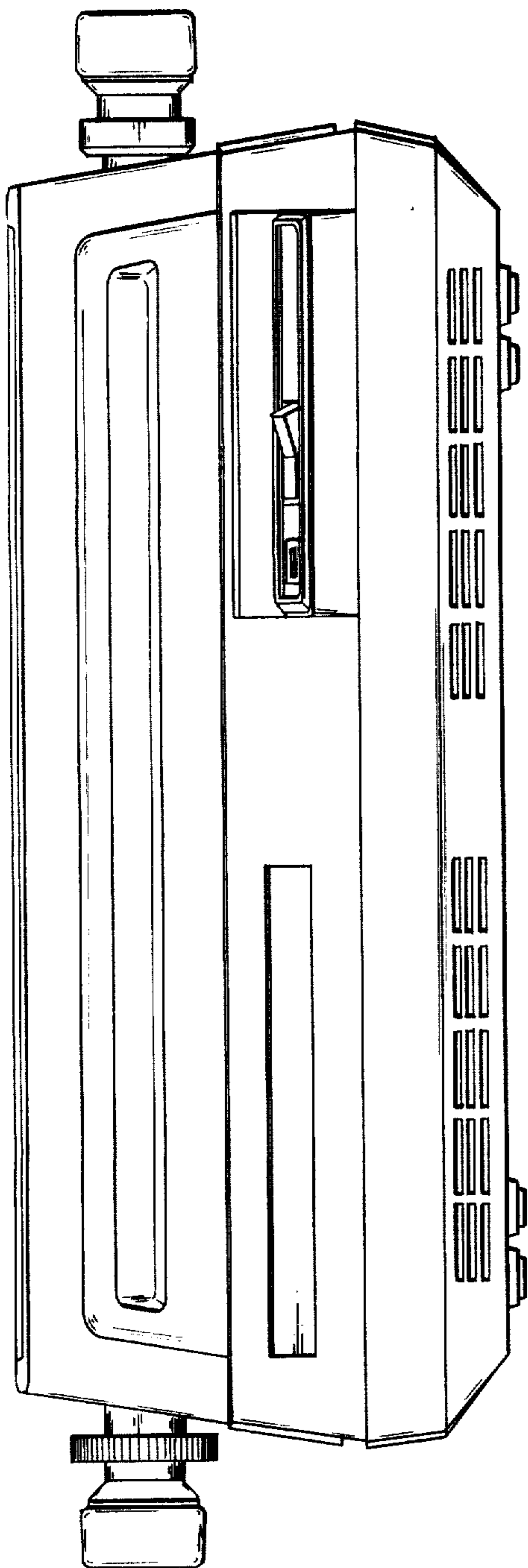
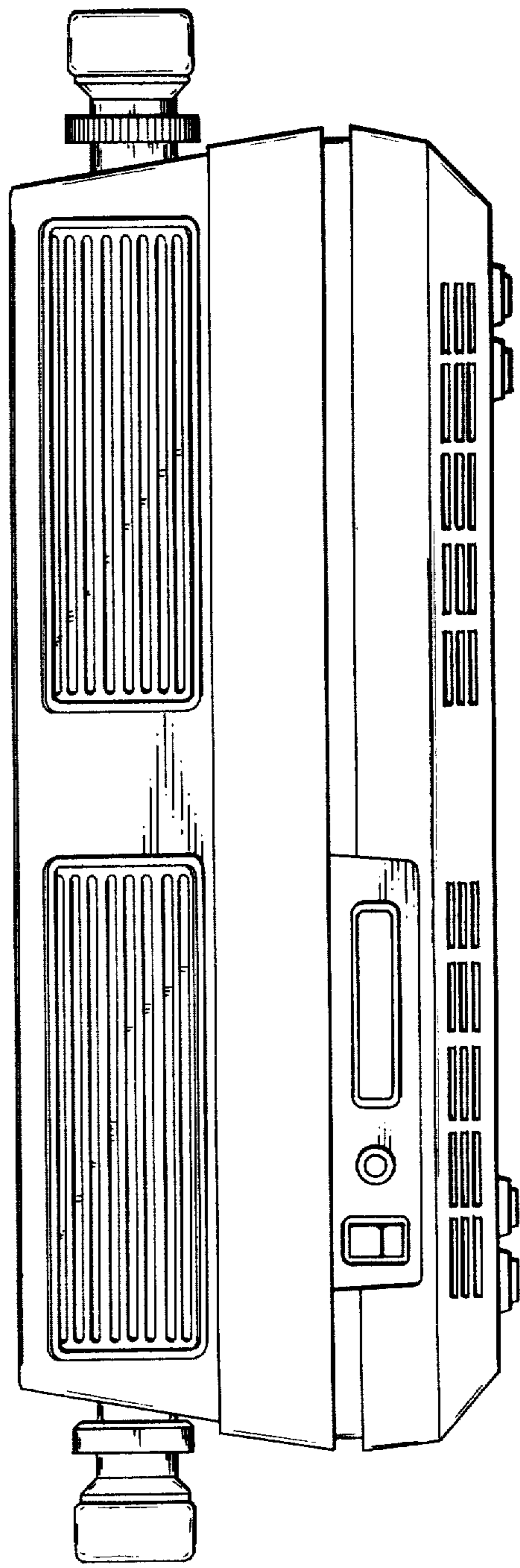


FIG. 3



4  
518



5  
518

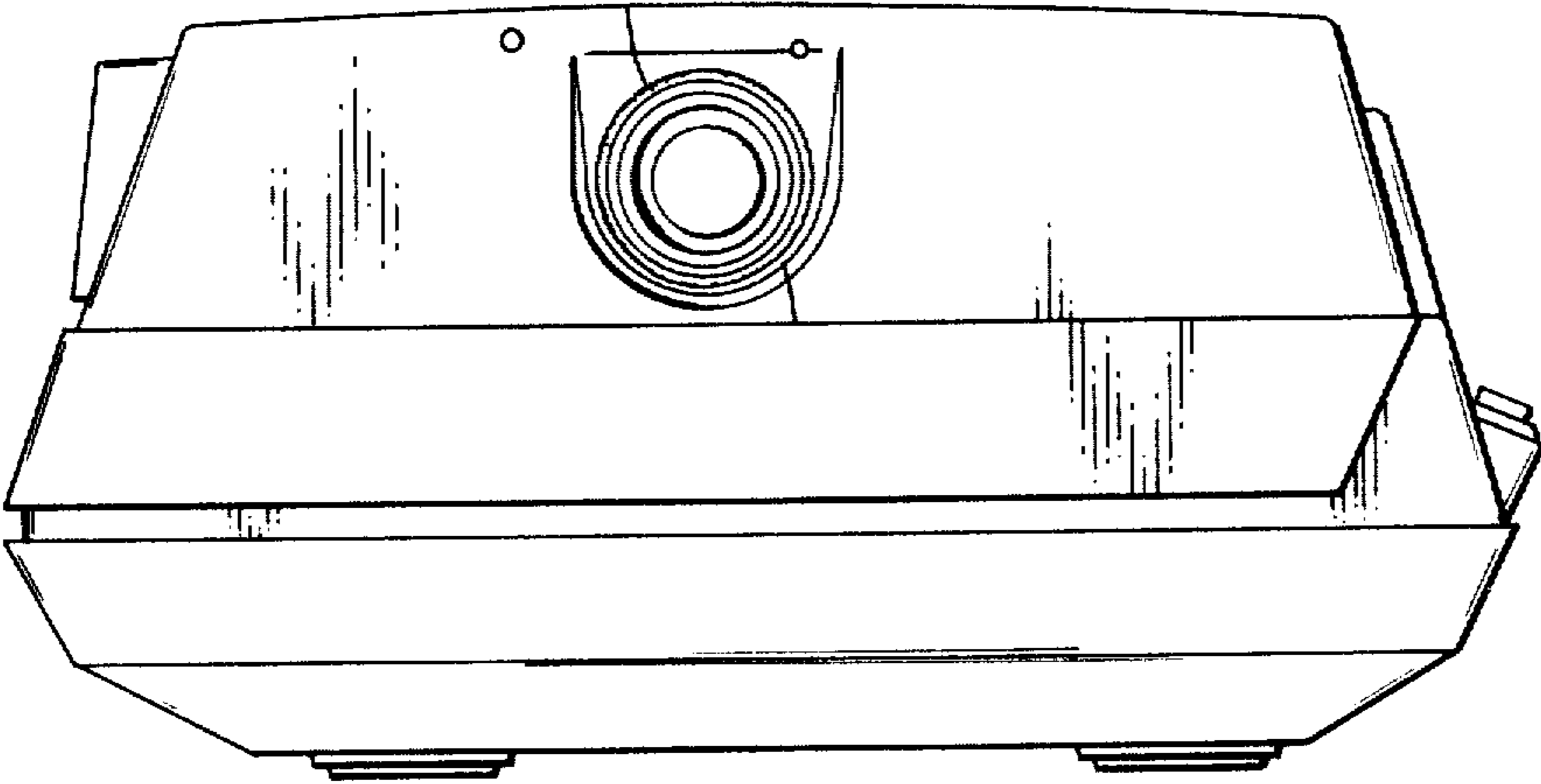


FIG 6

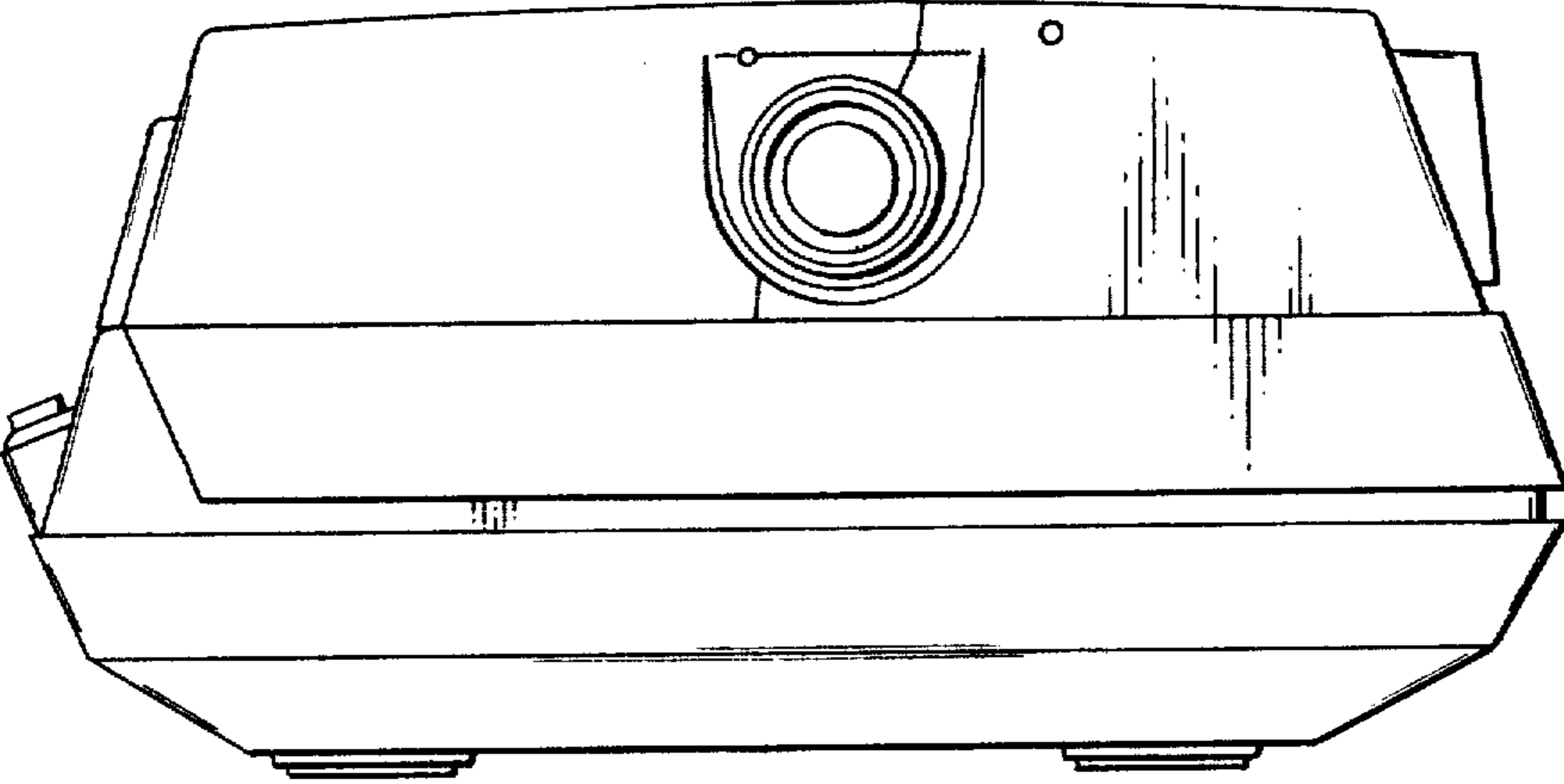


FIG 7