

[54] TIRE TREAD AND BUTTRESS

[75] Inventor: Charles G. Yurkovich, Boardman, Ohio

[73] Assignee: The Goodyear Tire & Rubber Company, Akron, Ohio

[*] Notice: The portion of the term of this patent subsequent to Oct. 27, 1995, has been disclaimed.

[**] Term: 14 Years

[21] Appl. No.: 202,895

[22] Filed: Oct. 31, 1980

Related U.S. Application Data

[63] Continuation of Ser. No. 34,704, Apr. 30, 1979, abandoned, and Ser. No. 34,705, Apr. 30, 1979, abandoned.

[51] Int. Cl. D12-15

[52] U.S. Cl. D12/146

[58] Field of Search D12/141-143, D12/146-148; 152/209 R, 209 B, 209 D

[56] References Cited

U.S. PATENT DOCUMENTS

- D. 238,061 12/1975 Baus D12/148
- D. 239,765 5/1976 Yahagi et al. D12/142

- D. 245,327 8/1977 Bennett D12/146
- D. 261,495 10/1981 Yurkovich D12/146

Primary Examiner—James M. Gandy
Attorney, Agent, or Firm—Frank Pincelli

[57] CLAIM

The ornamental design for a tire tread and buttress, substantially as shown and described.

DESCRIPTION

FIG. 1 is a perspective view, partly schematic, of a tire tread and buttress showing the new design, it being understood that the tread pattern is repeated throughout the circumference thereof as shown schematically by solid lines;

FIG. 2 is a front elevational view thereof;

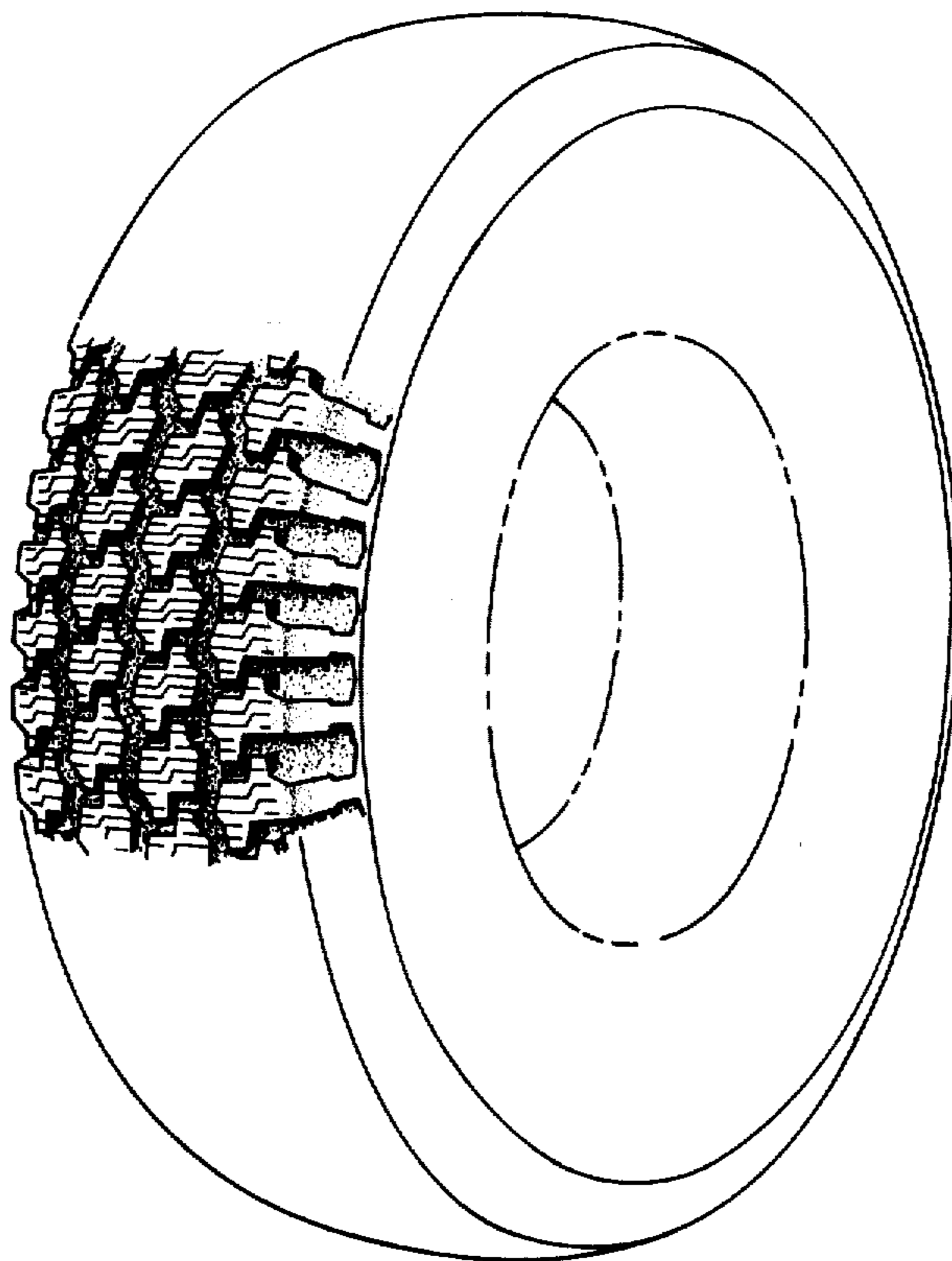
FIG. 3 is a side elevational view thereof with a portion broken away for convenience of illustration;

FIG. 4 is a perspective view partly schematic of a tire tread and buttress showing a second embodiment of my new design, it being understood that the tread pattern is repeated throughout the circumference thereof as shown schematically by solid lines;

FIG. 5 is a front elevational view of FIG. 4; and

FIG. 6 is a side elevational view of FIG. 4 with a portion broken away for convenience of illustration.

The broken lines in the drawings are for illustrative purposes only.



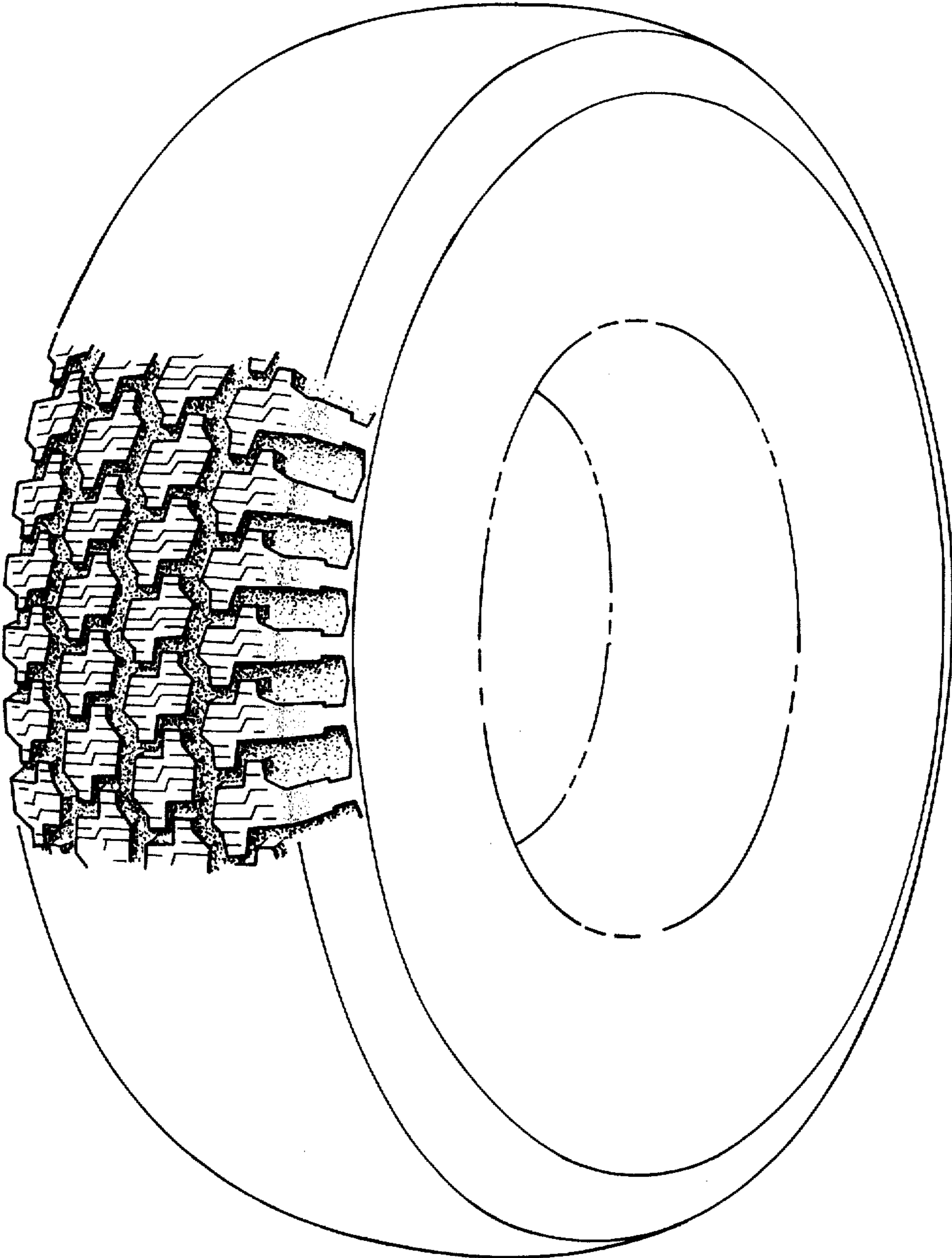


FIG. 1

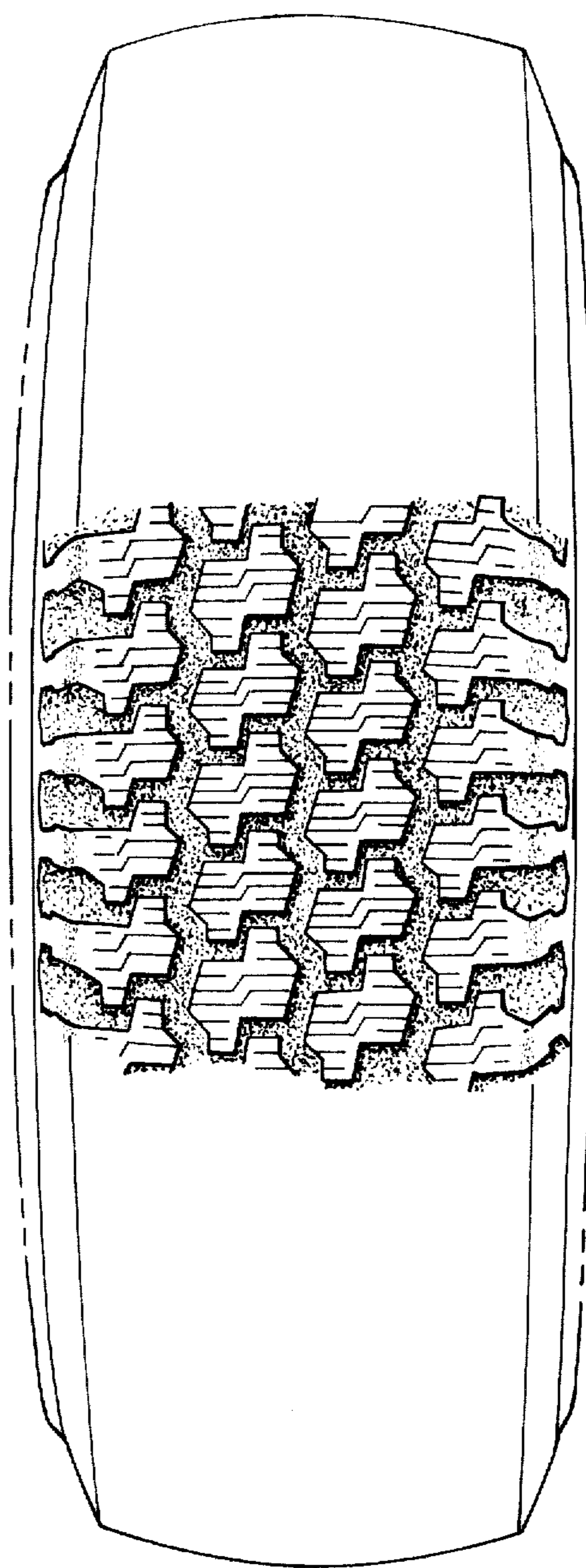


FIG. 2

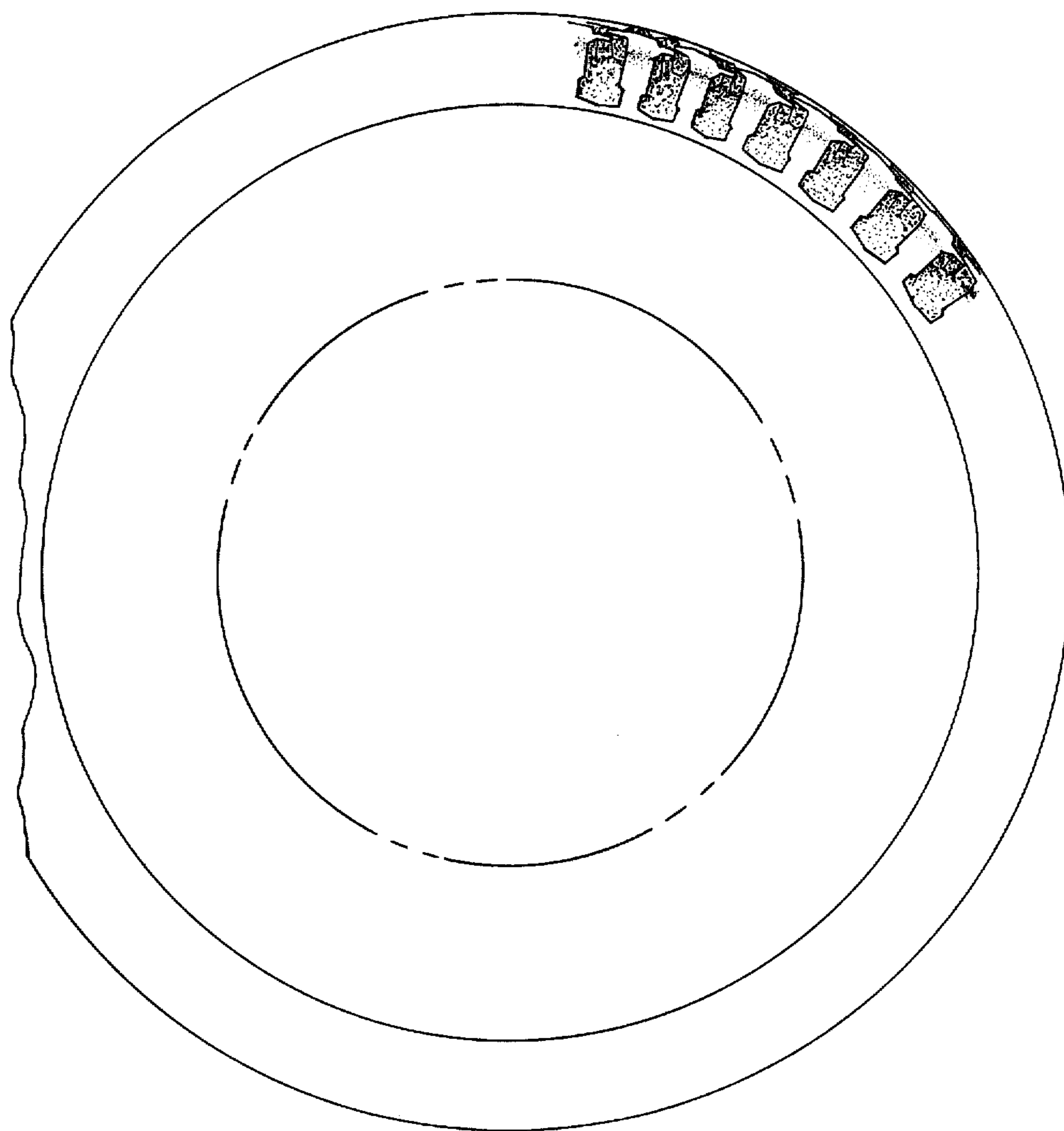


FIG. 3

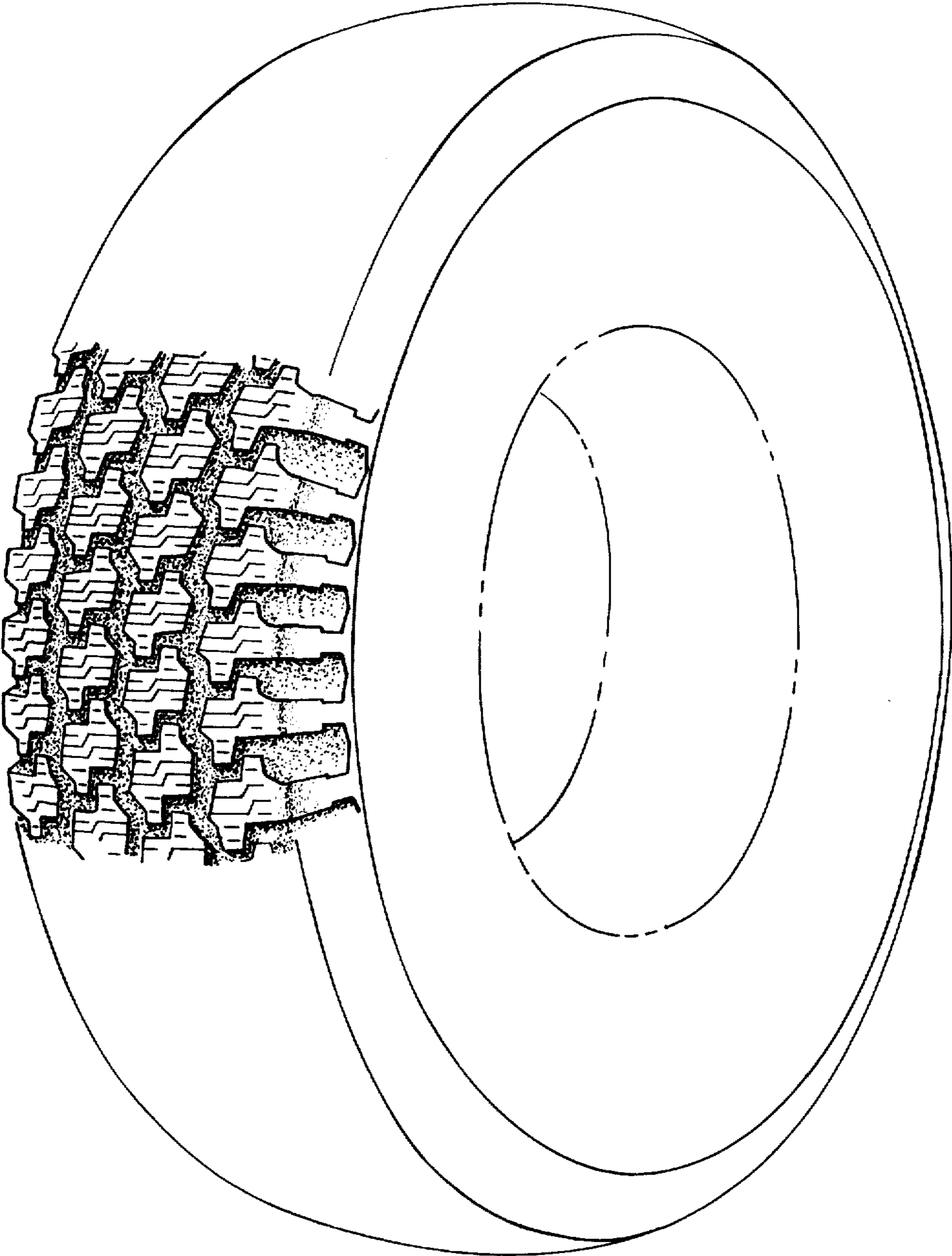


FIG. 4

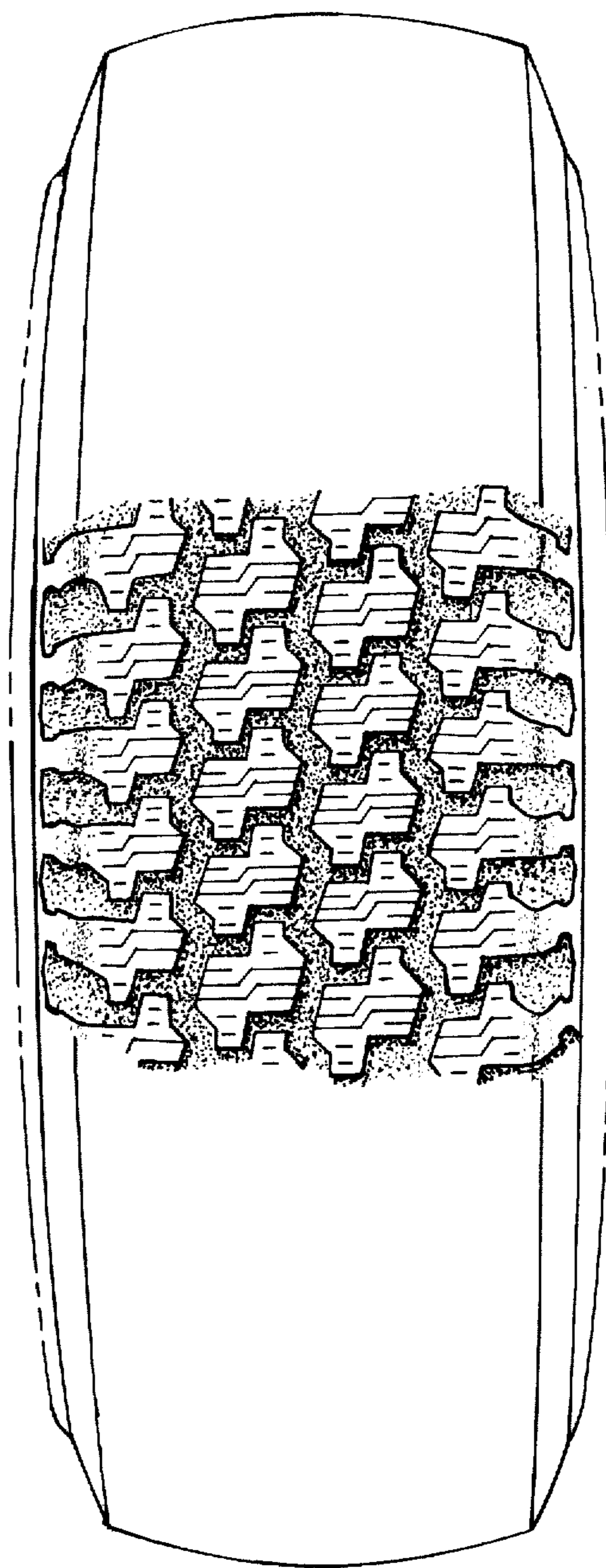


FIG. 5

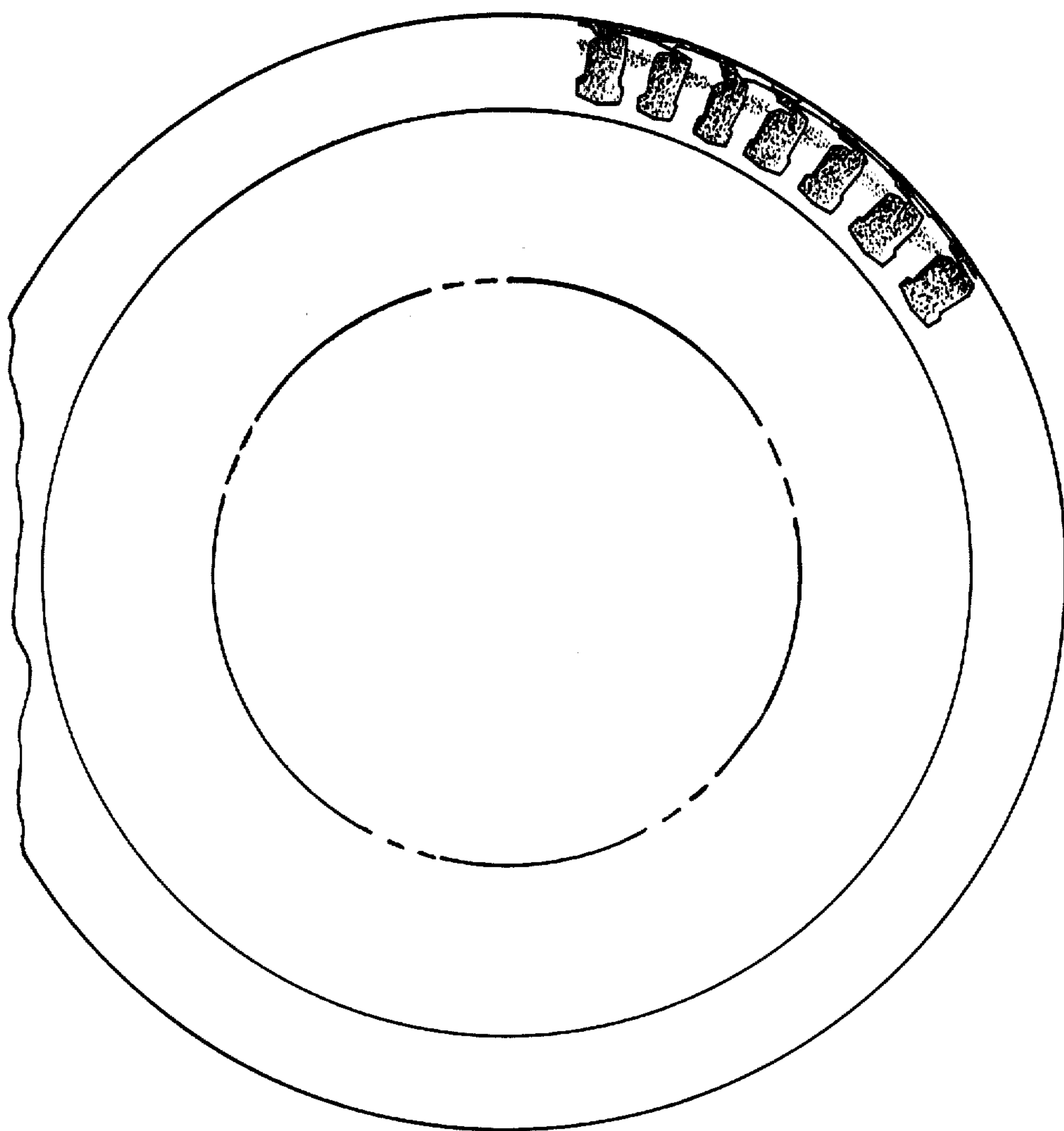


FIG. 6