

[54] CLOCK

[75] Inventor: Michael Cheung, Shaukiwan, Hong Kong

[73] Assignee: Promoters Ltd., Hong Kong

[\*\*] Term: 14 Years

[21] Appl. No.: 87,822

[22] Filed: Oct. 24, 1979

[30] Foreign Application Priority Data

Apr. 30, 1979 [GB] United Kingdom ..... 79/989738

[51] Int. Cl. .... D10-01

[52] U.S. Cl. .... D10/15; D10/18

[58] Field of Search ..... D10/1, 15, 18, 38, 122-126; 368/71-72, 80, 82, 223-229, 231-232, 238-244, 250, 285

[56] References Cited

U.S. PATENT DOCUMENTS

- D. 189,424 12/1960 Miley ..... D10/18
- D. 252,801 9/1979 Usuda ..... D10/15
- D. 255,551 6/1980 Hirota ..... D10/15
- D. 255,996 7/1980 Tamura ..... D10/15

D. 257,235 10/1980 Cheung ..... D10/18 X

OTHER PUBLICATIONS

*Jeweler's Circular-Keystone-7/78*-p. 152-Clock at lower left.

*European Jeweler-5/74*-p. 92-Clock at upper right.

*Jeweler's Circular-Keystone-11/78*-p. 65-Clock at center.

Primary Examiner—Nelson C. Holtje

Attorney, Agent, or Firm—Remy J. Van Ophem

[57] CLAIM

The ornamental design for a clock, as shown and described.

DESCRIPTION

FIG. 1 is a front elevational view of a clock showing my new design;

FIG. 2 is a rear elevational view thereof;

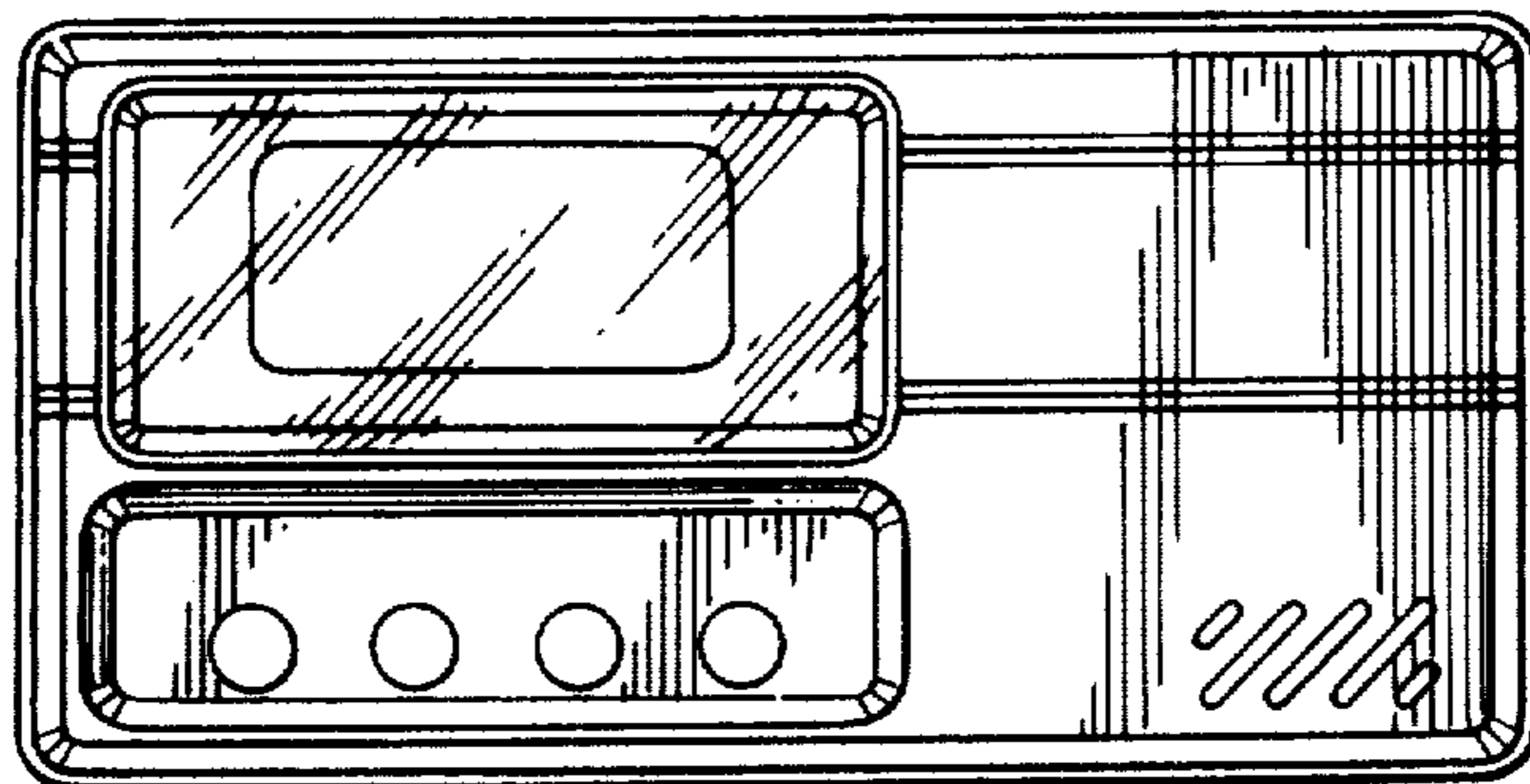
FIG. 3 is a top plan view thereof;

FIG. 4 is a bottom plan view thereof;

FIG. 5 is a right front perspective view thereof;

FIG. 6 is a left rear perspective view thereof showing the support arm in an operable condition;

FIG. 7 is a left side elevational view of FIG. 6.



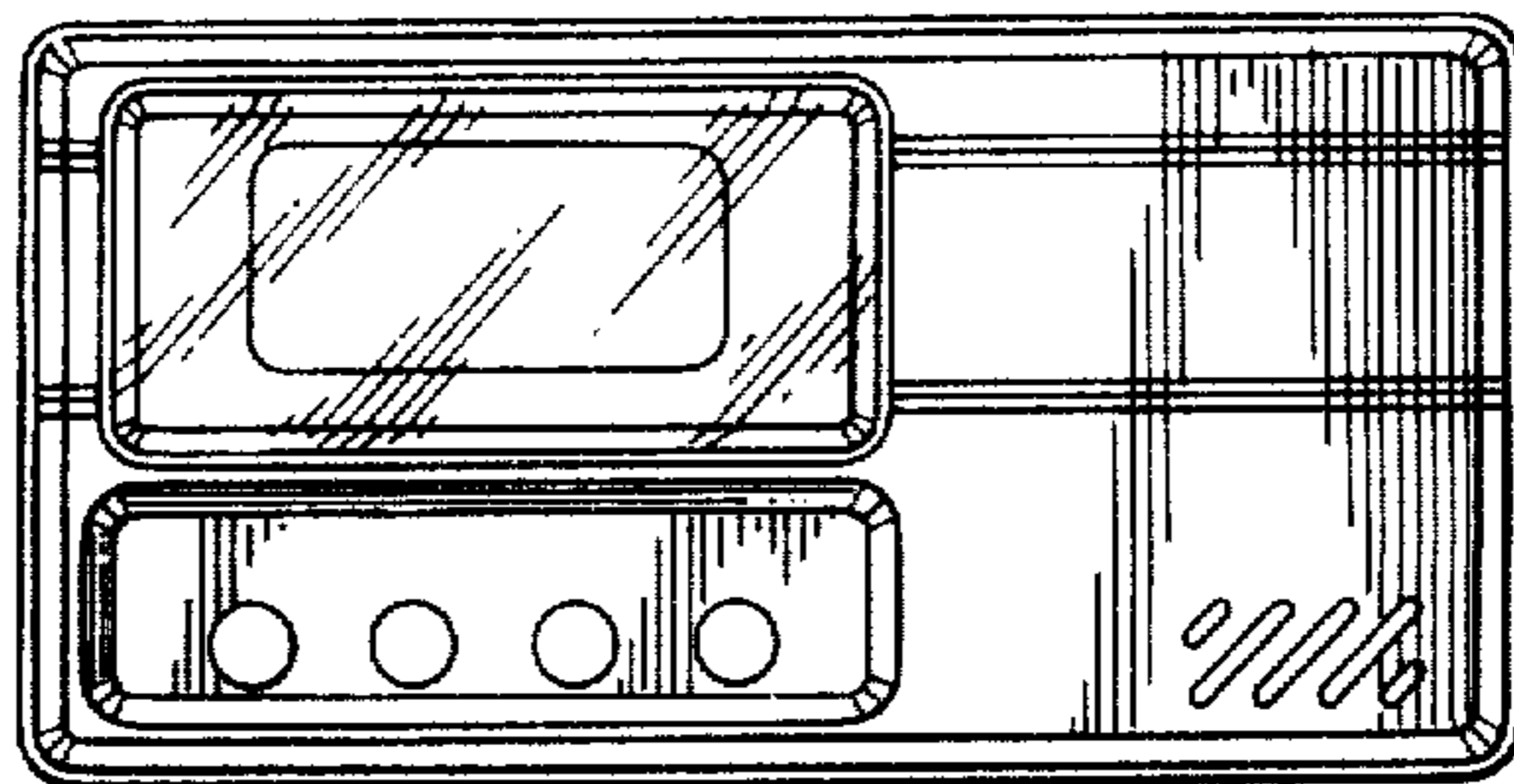


FIG. 1.

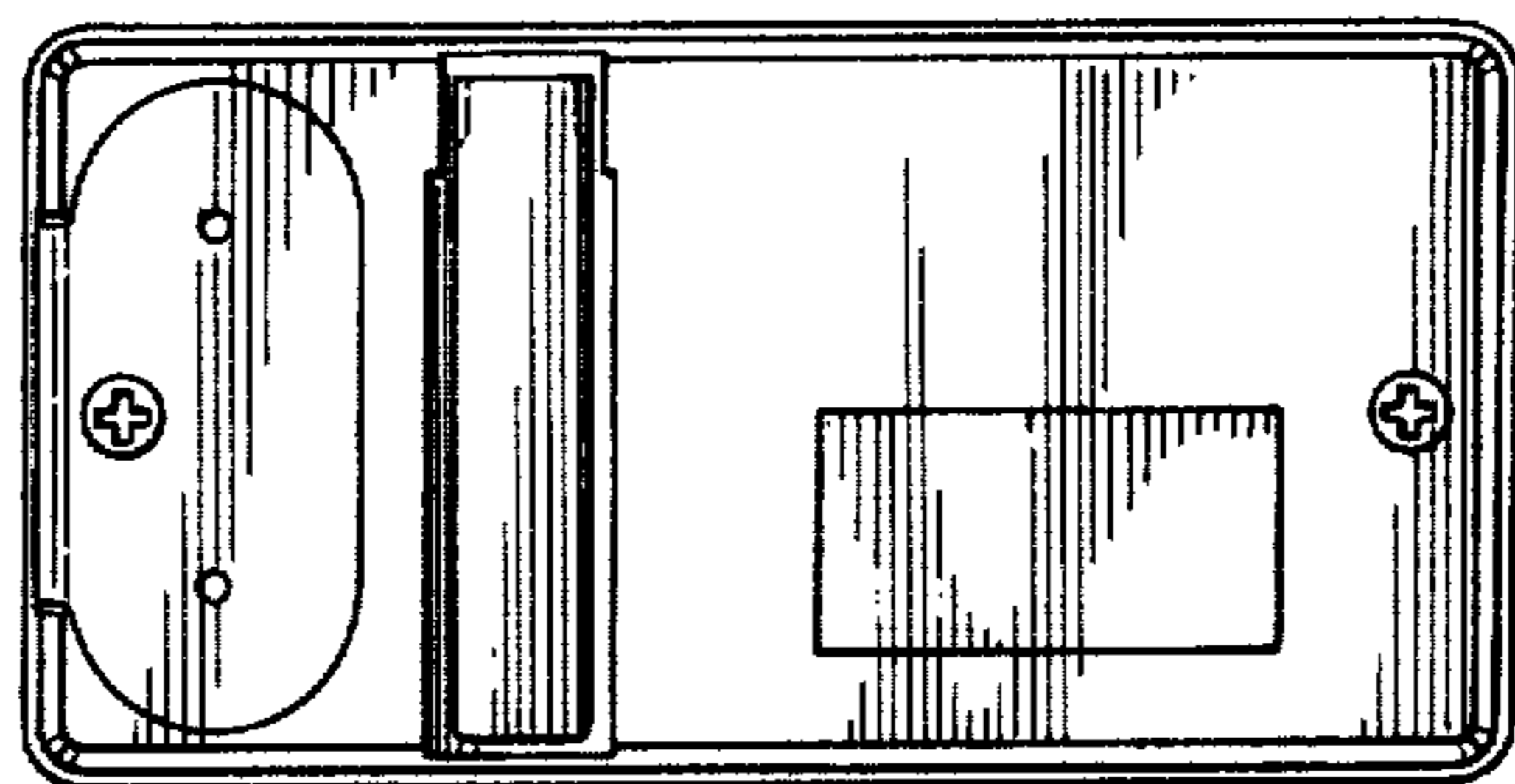


FIG. 2.

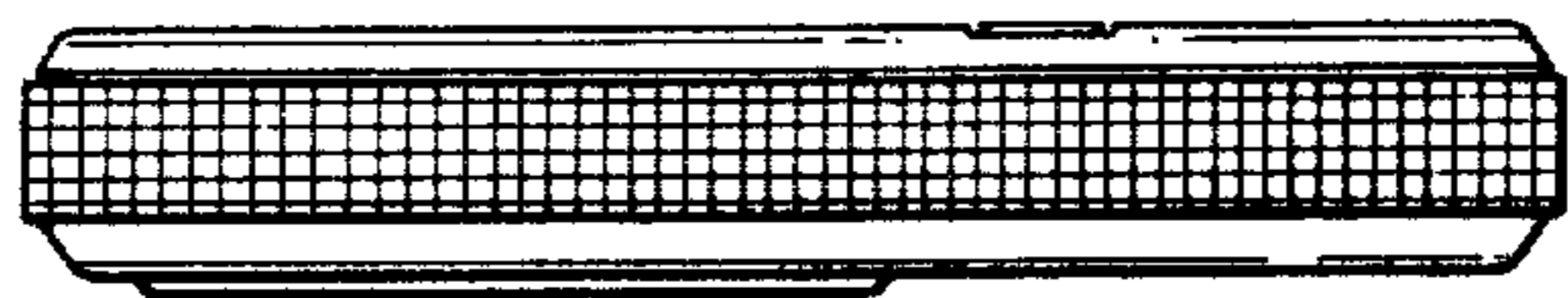


FIG. 3.

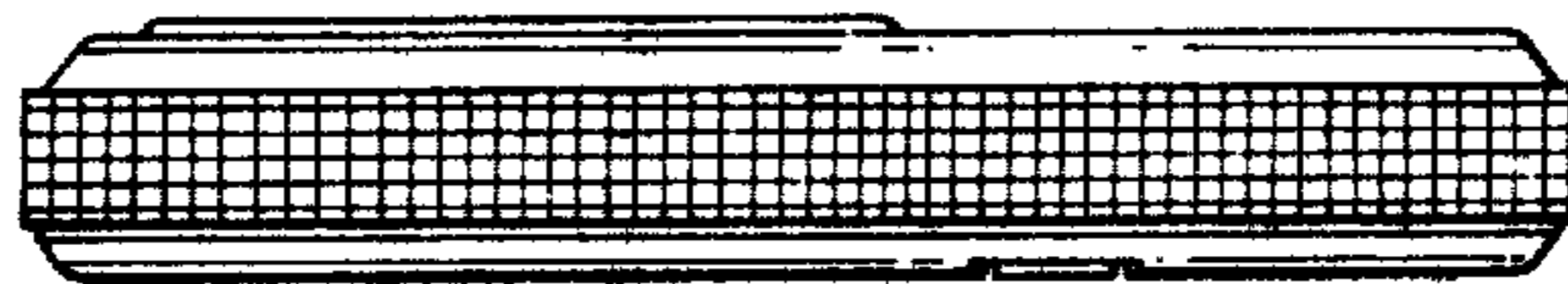


FIG. 4.

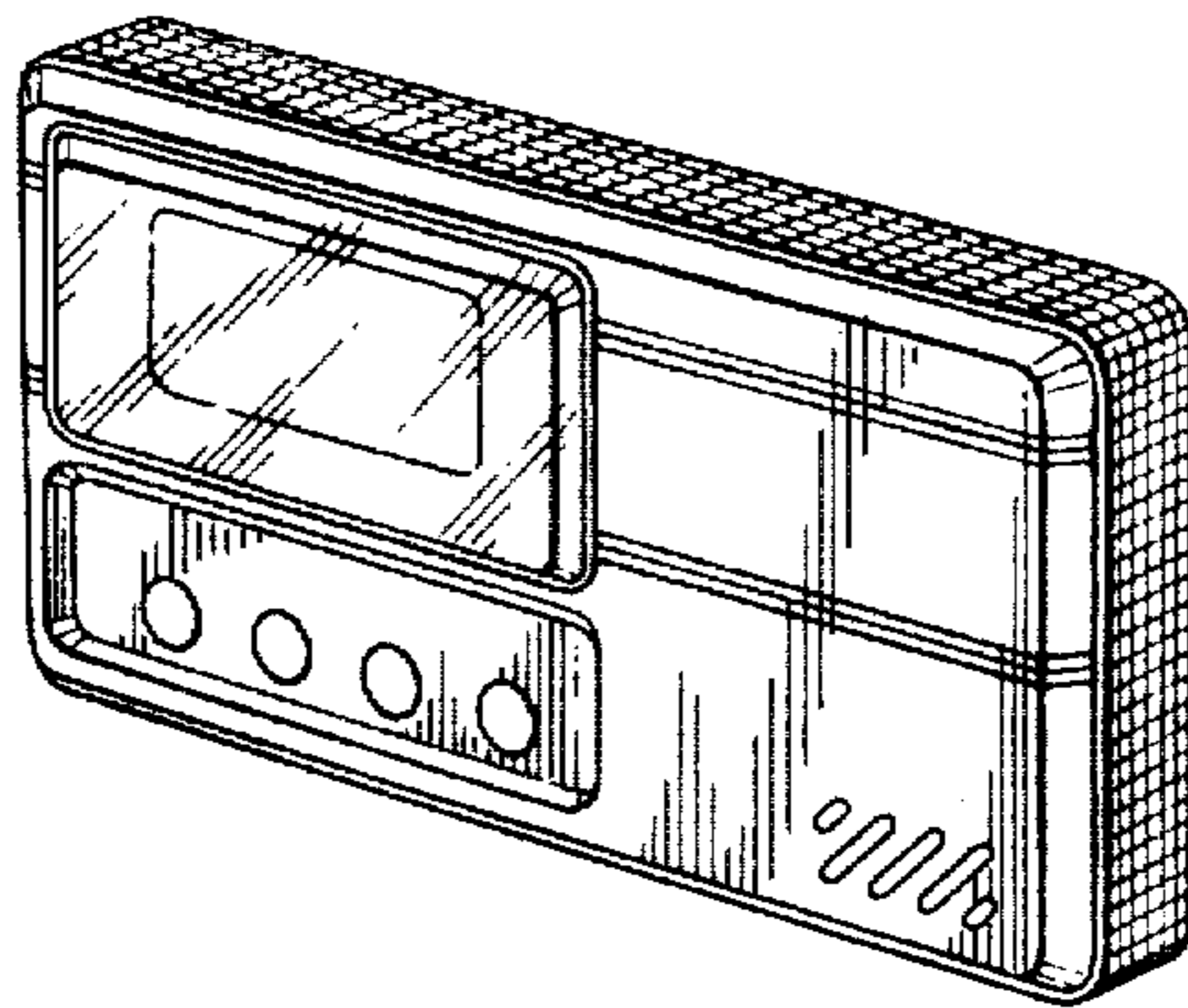


FIG. 5.

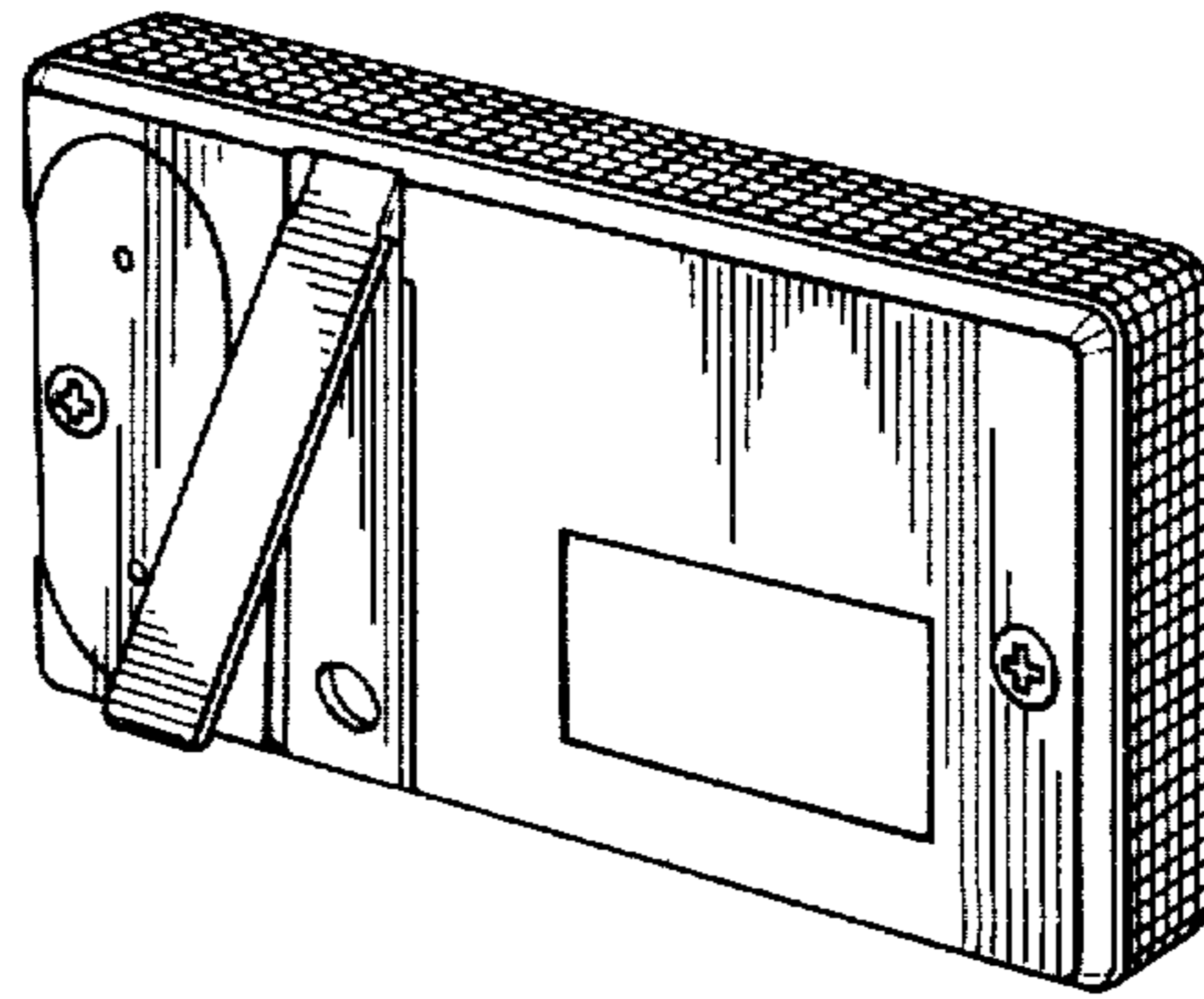


FIG. 6.

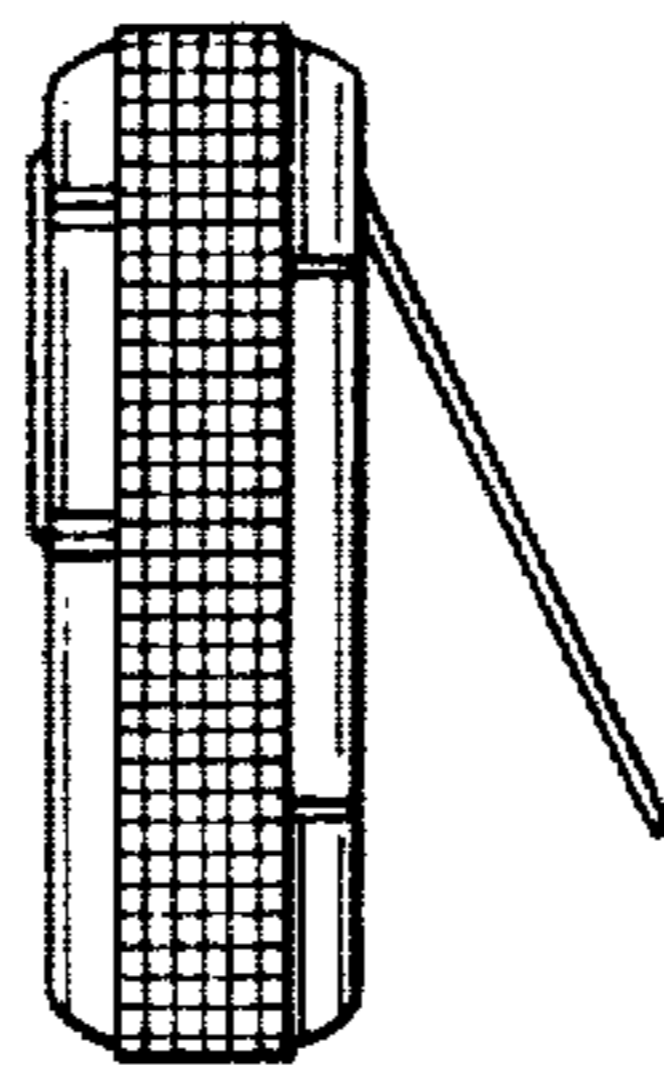


FIG. 7.