

[54] SKILLET-OVEN

[75] Inventors: Dan E. Gremonprez, West Bend, Wis.; David L. Painter; William Cesaroni, both of Glenview, Ill.

[73] Assignee: Dart Industries Inc., Northbrook, Ill.

[**] Term: 14 Years

[21] Appl. No.: 279,927

[22] Filed: Jul. 6, 1981

[51] Int. Cl. D7-02

[52] U.S. Cl. D7/360

[58] Field of Search D7/129, 94, 95, 85, D7/97, 90, 121, 130, 96

[56] References Cited

U.S. PATENT DOCUMENTS

D. 168,905 2/1953 O'Connell D7/90

D. 195,268 5/1963 Reed et al. D7/94
D. 199,748 12/1964 DeFano D7/94
D. 205,148 6/1966 Willman D7/121
D. 207,861 6/1967 Felske D7/94
D. 250,448 12/1978 Boldt et al. D7/94
3,850,331 11/1974 Oxel D7/94X

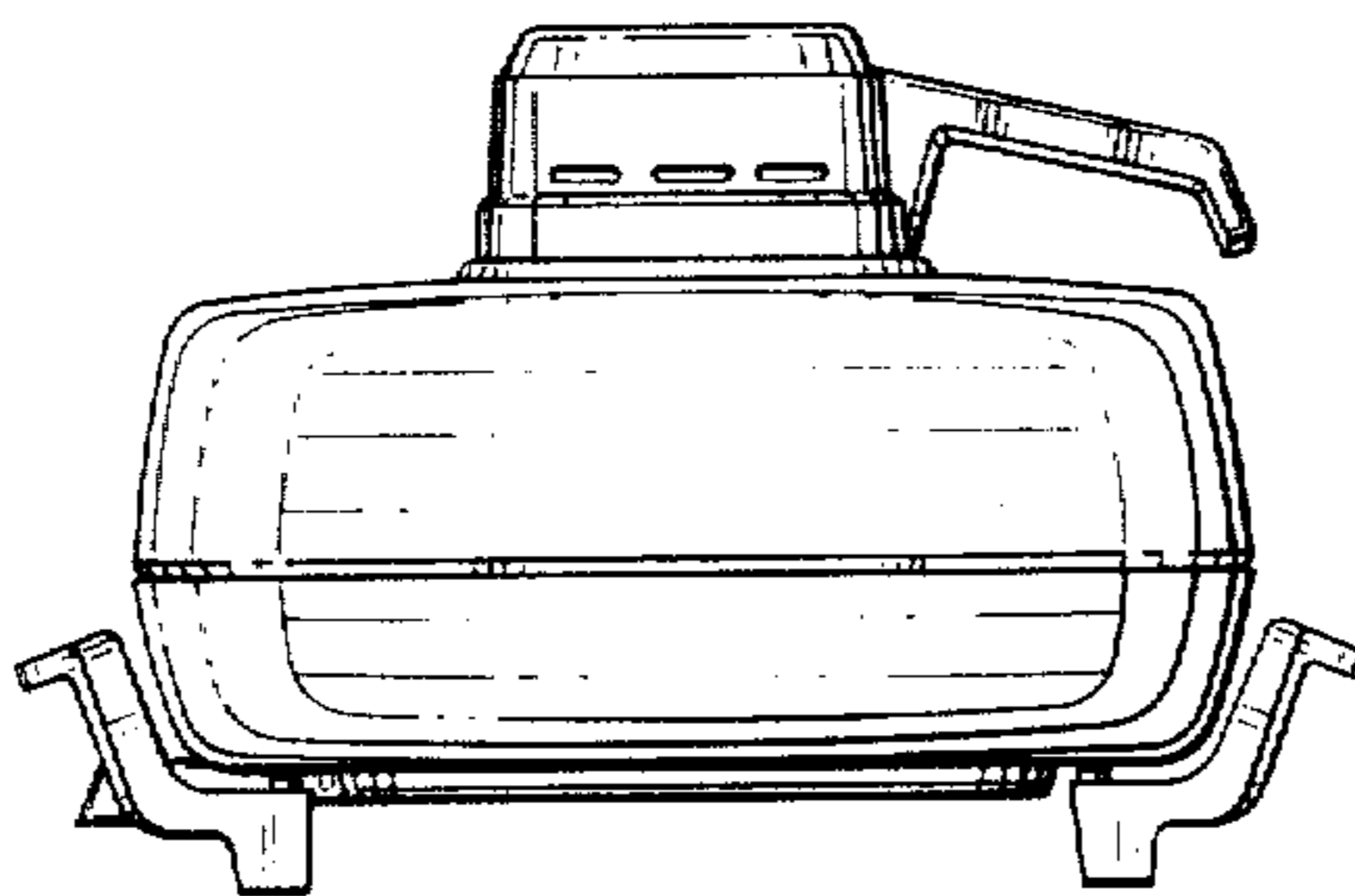
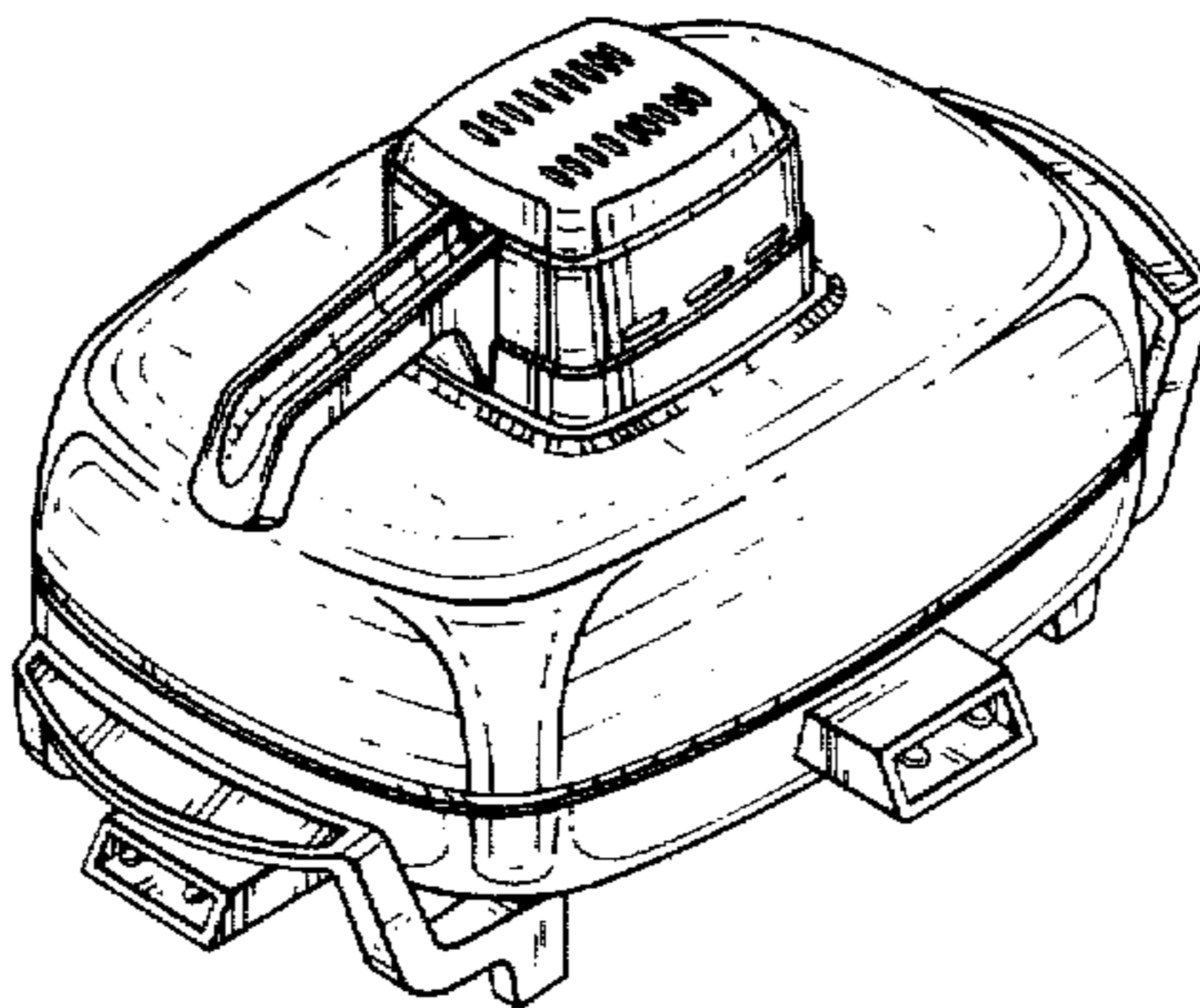
Primary Examiner—Winifred E. Herrmann
Attorney, Agent, or Firm—Gregory J. Mancuso

[57] CLAIM

The ornamental design for a skillet-oven, substantially as shown and described.

DESCRIPTION

FIG. 1 is a top rear perspective view of a skillet-oven showing one side of our new design; FIG. 2 is a front elevational view thereof; FIG. 3 is a side elevational view thereof opposite the side shown in FIG. 1; FIG. 4 is a top plan view thereof; and, FIG. 5 is a bottom view thereof.



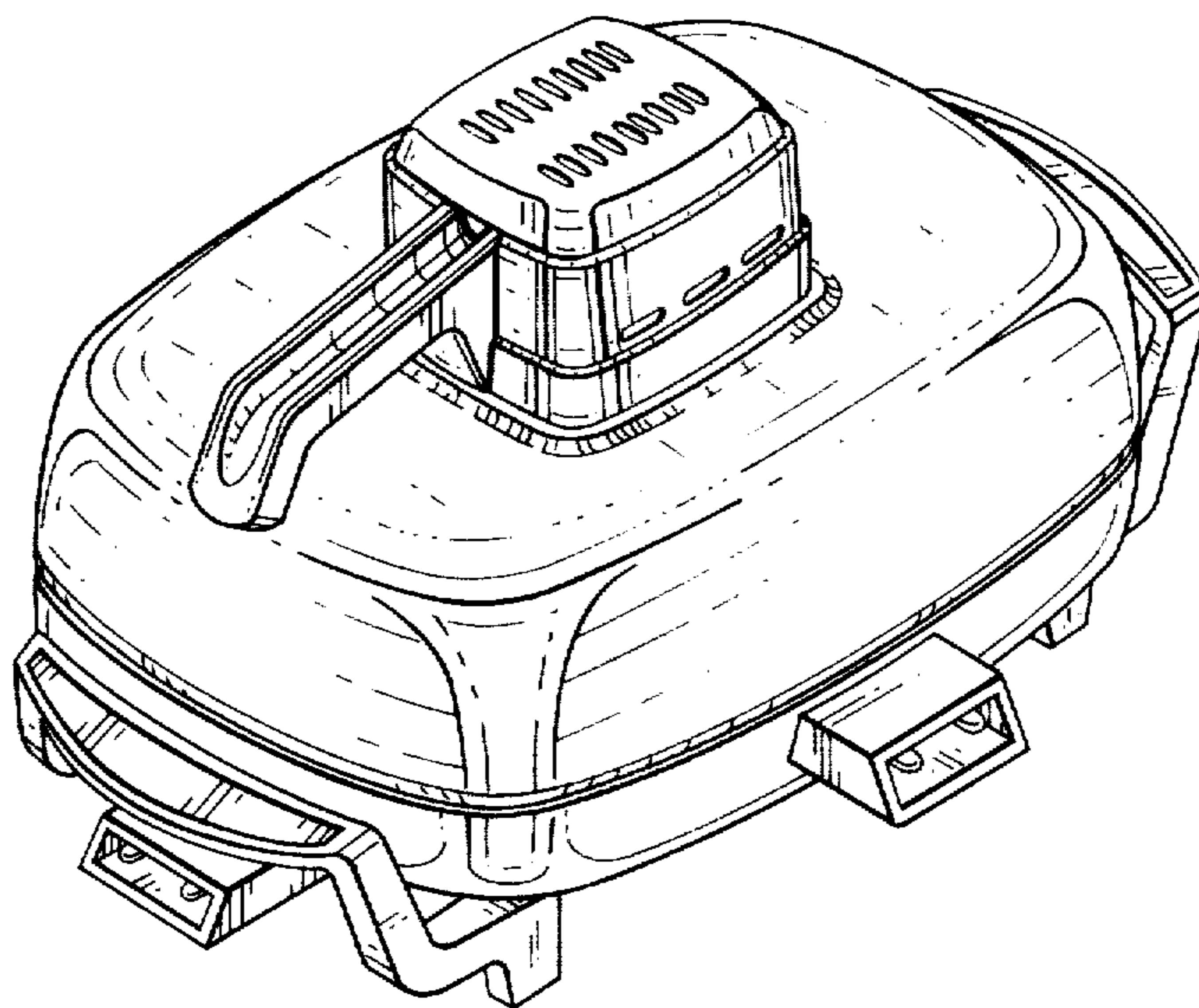


FIG. 1

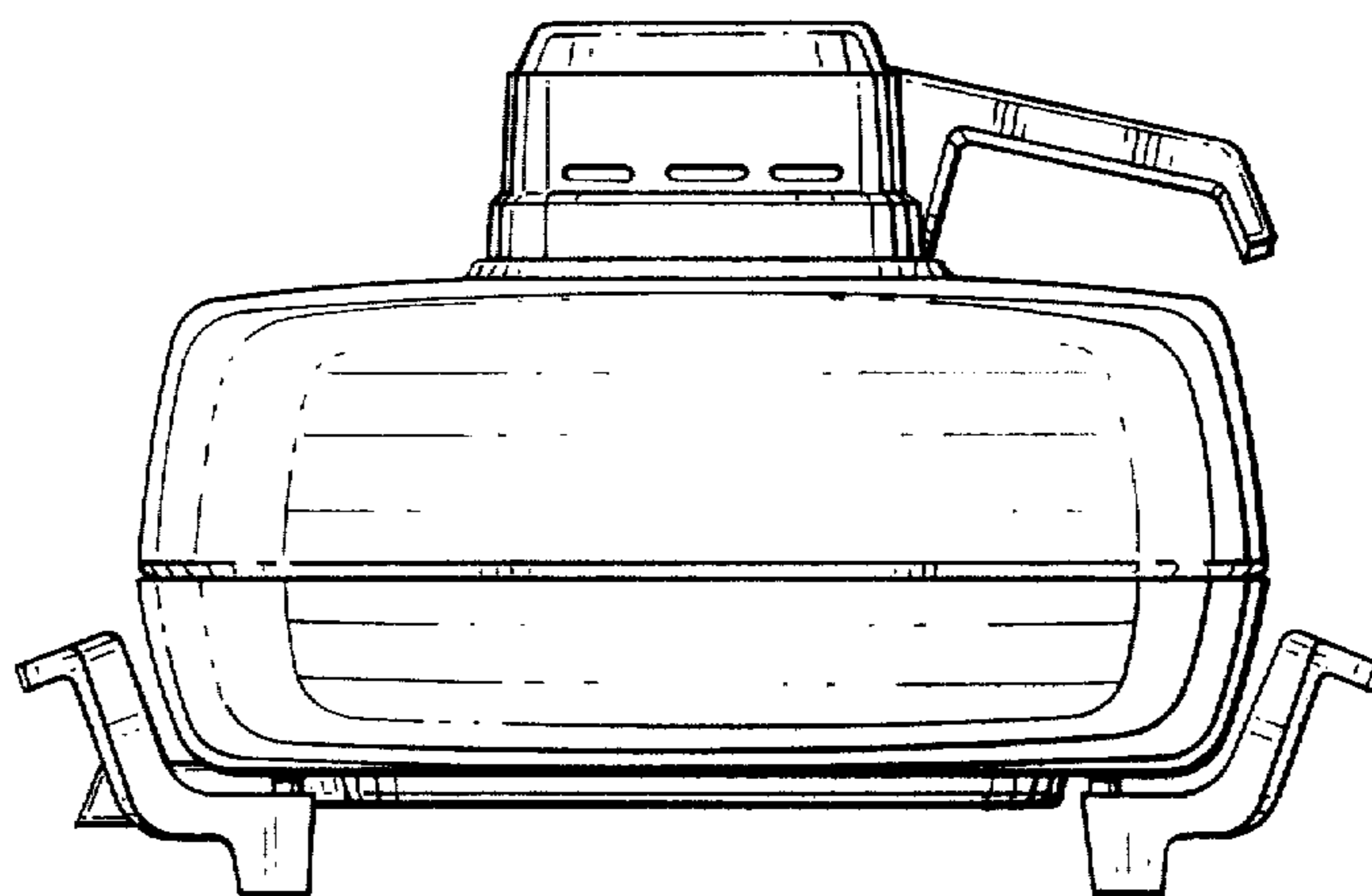


FIG. 2

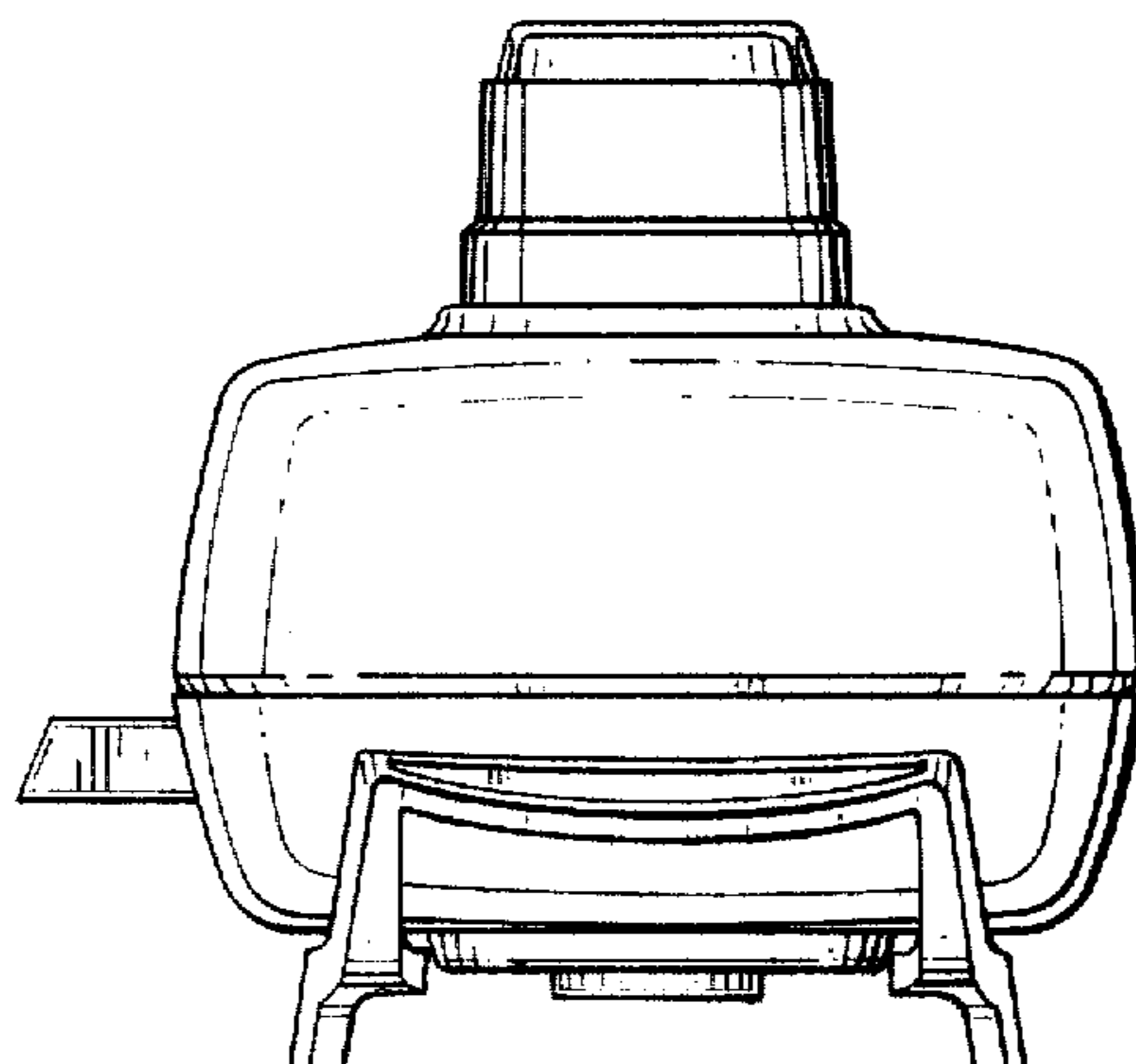


FIG. 3

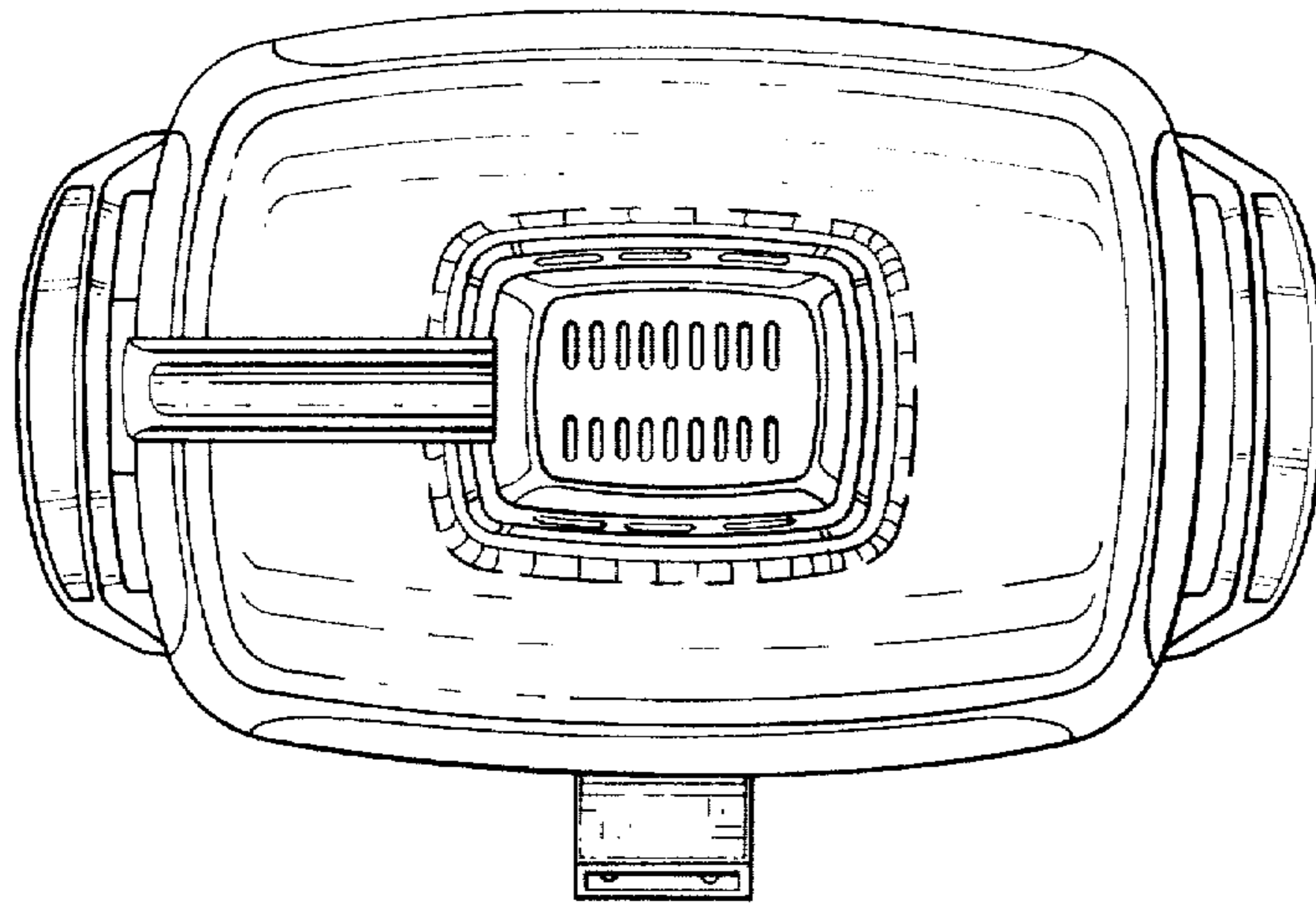


FIG. 4

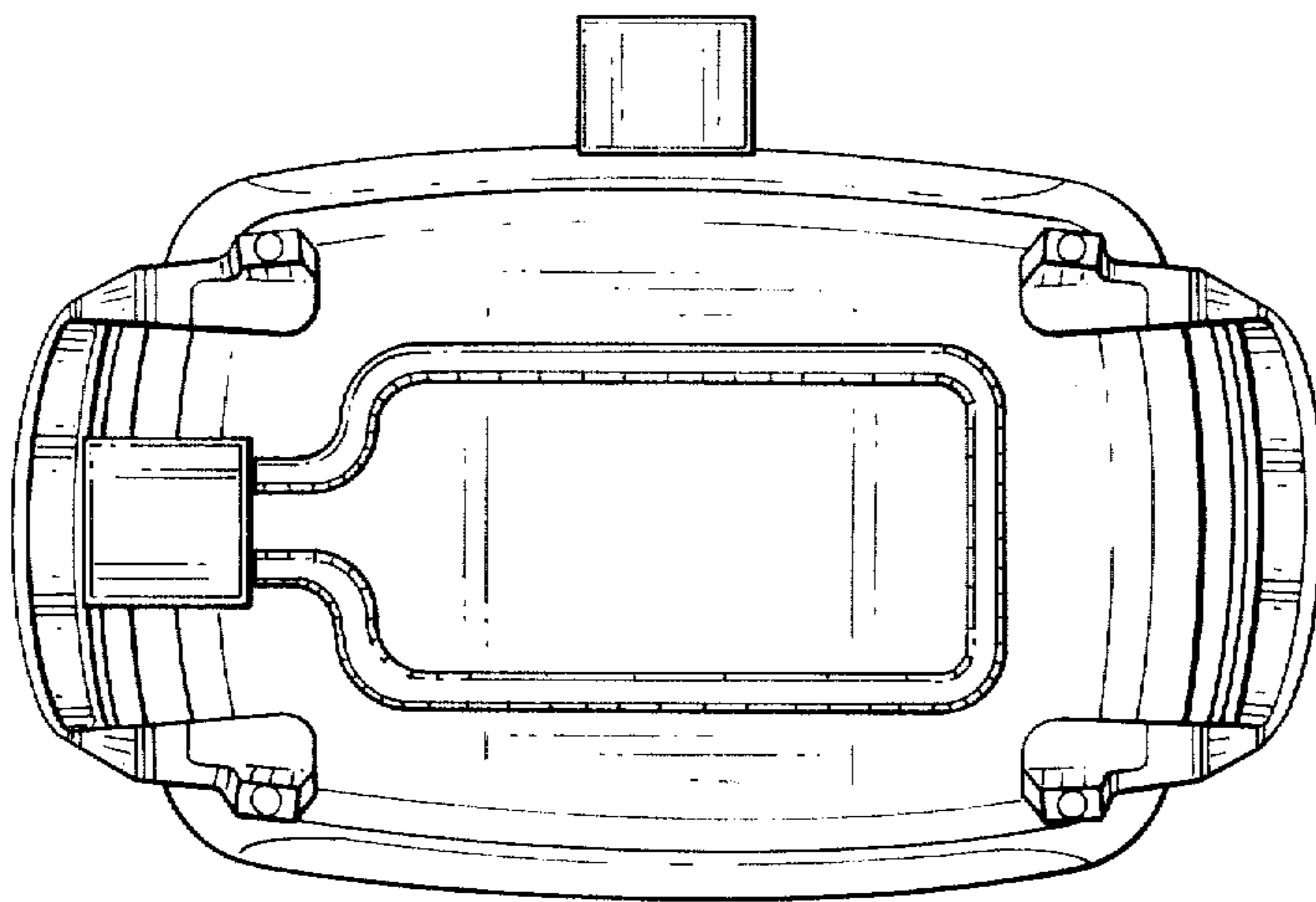


FIG. 5