

[54] WOK

[75] Inventor: Peter M. Fox, West Bend, Wis.

[73] Assignee: Dart Industries Inc., Northbrook, Ill.

[\*\*] Term: 14 Years

[21] Appl. No.: 243,024

[22] Filed: Mar. 12, 1981

[51] Int. Cl. .... D07-02

[52] U.S. Cl. .... D7/360; D7/355

[58] Field of Search ..... D7/17, 97, 94, 125,  
D7/85, 17, 19, 20, 90

[56] References Cited

U.S. PATENT DOCUMENTS

|            |         |                   |       |
|------------|---------|-------------------|-------|
| D. 187,681 | 4/1960  | Chinn et al. .... | D7/94 |
| D. 206,389 | 12/1966 | Ernest .....      | D7/94 |
| D. 225,433 | 12/1972 | Rosenlund .....   | D7/97 |
| D. 256,760 | 9/1980  | Rinaldi .....     | D7/94 |

OTHER PUBLICATIONS

*House & Garden*, May, 1973, p. 155. West Bend Electric Wok shown at middle left.

*Retailing Home Furnishings*, Jan. 9, 1978, Sec. 1, p. 133, Faberware Electric Wok-6 Qt. Model, top left panel.

*Retailing Home Furnishings Supplement to HFD*, Jan. 1, 1979, Sec. One, Regal Ware, p. 3, Stainless Handles on Covered Pot, 2nd up from bottom left.

Primary Examiner—Winifred E. Herrmann

[57] CLAIM

The ornamental design for a wok, substantially as shown.

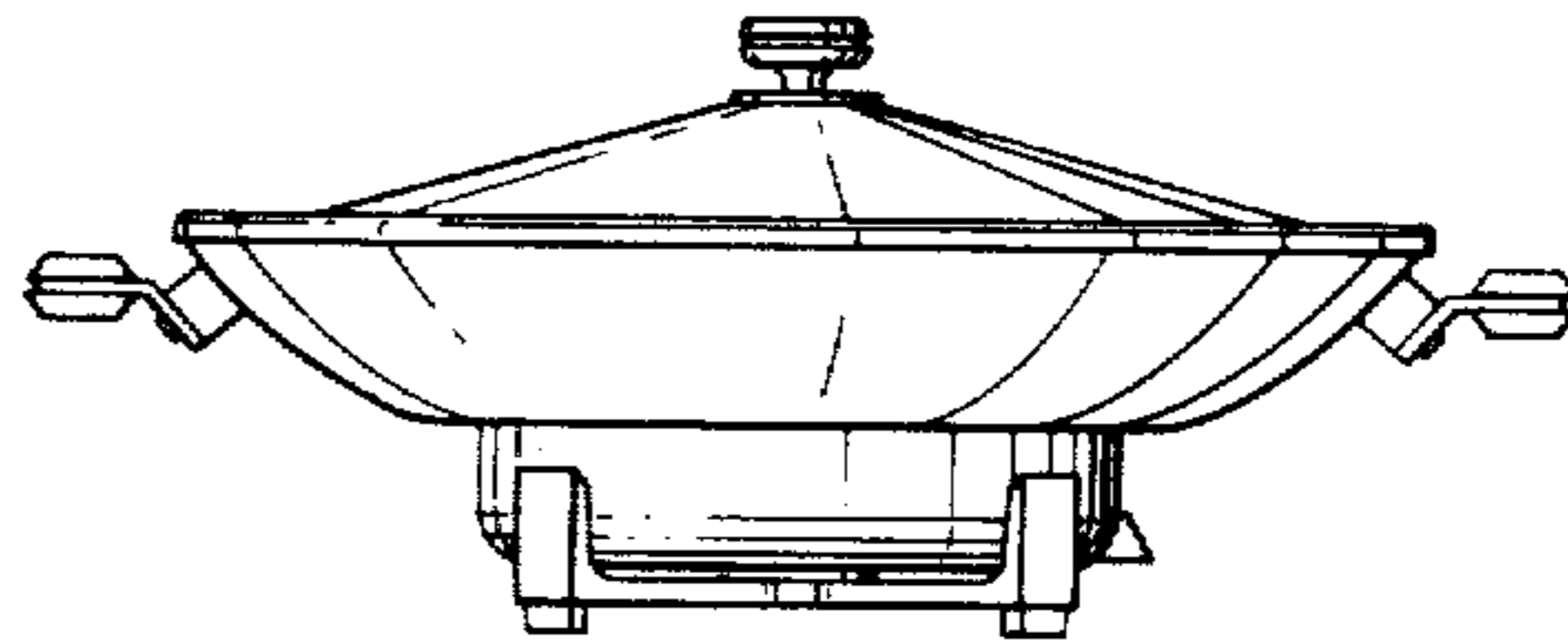
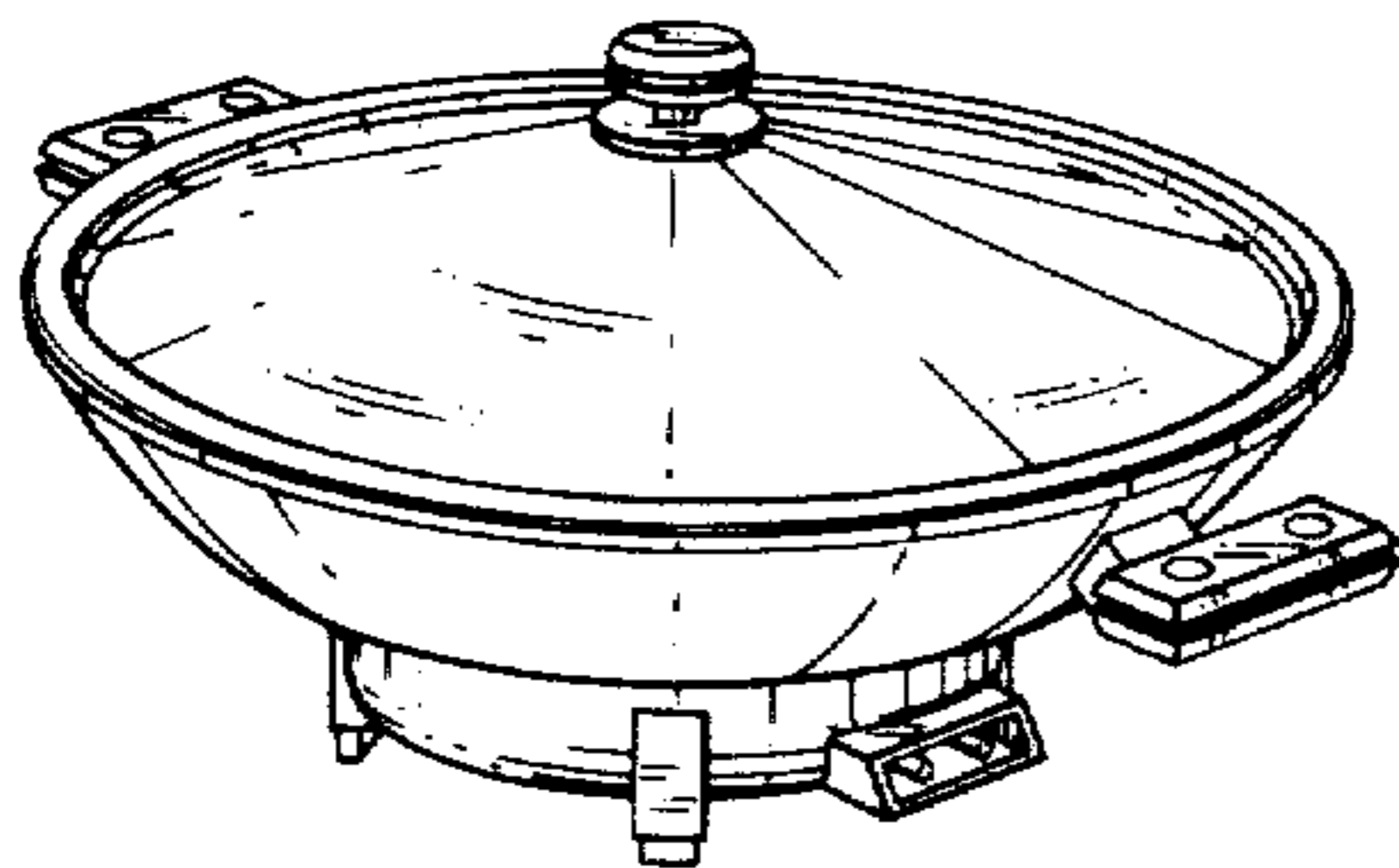
DESCRIPTION

FIG. 1 is a perspective view of a wok showing my new design;

FIG. 2 is a side elevation view;

FIG. 3 is a top plan view; and,

FIG. 4 is a bottom plan view.



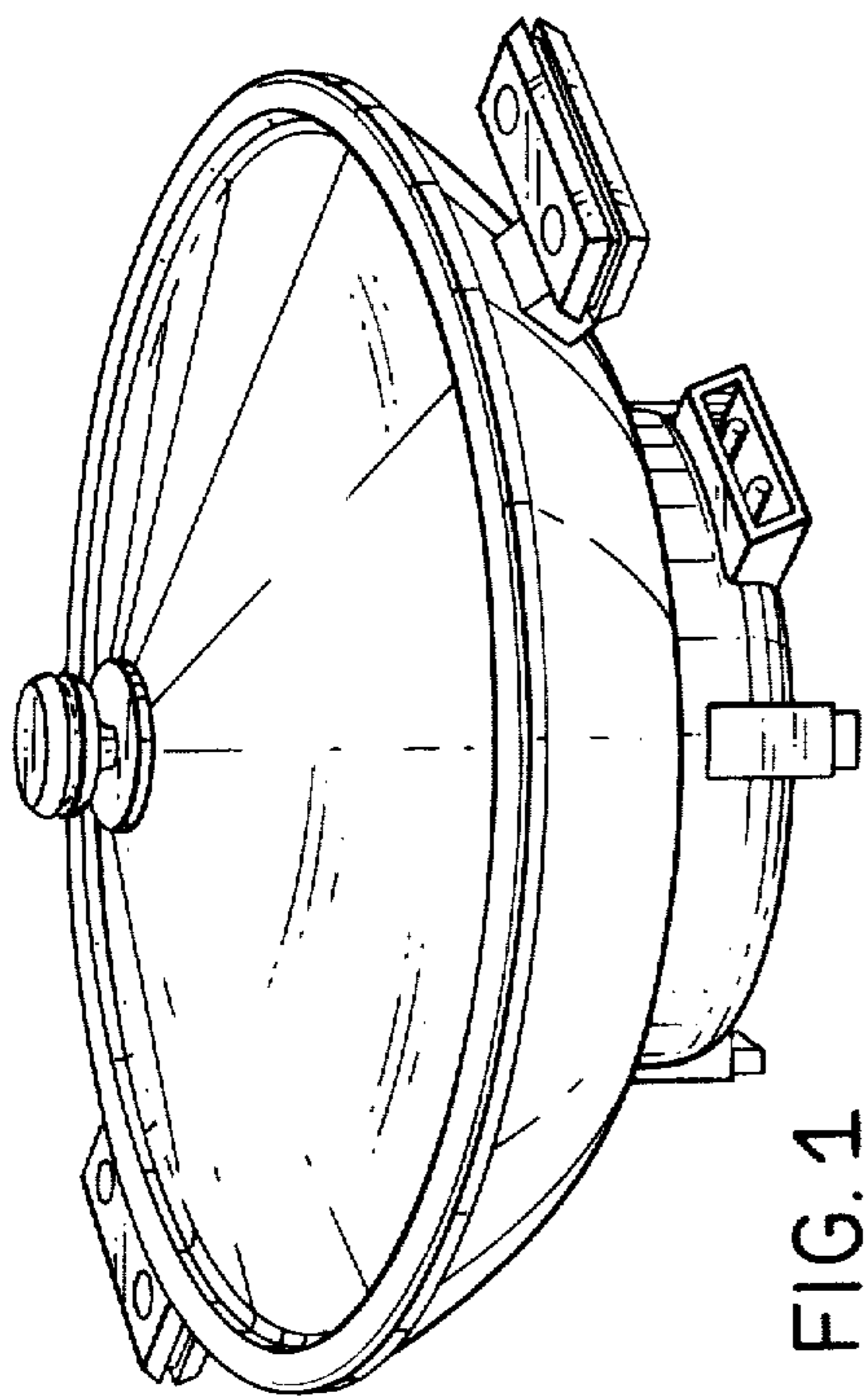


FIG. 1

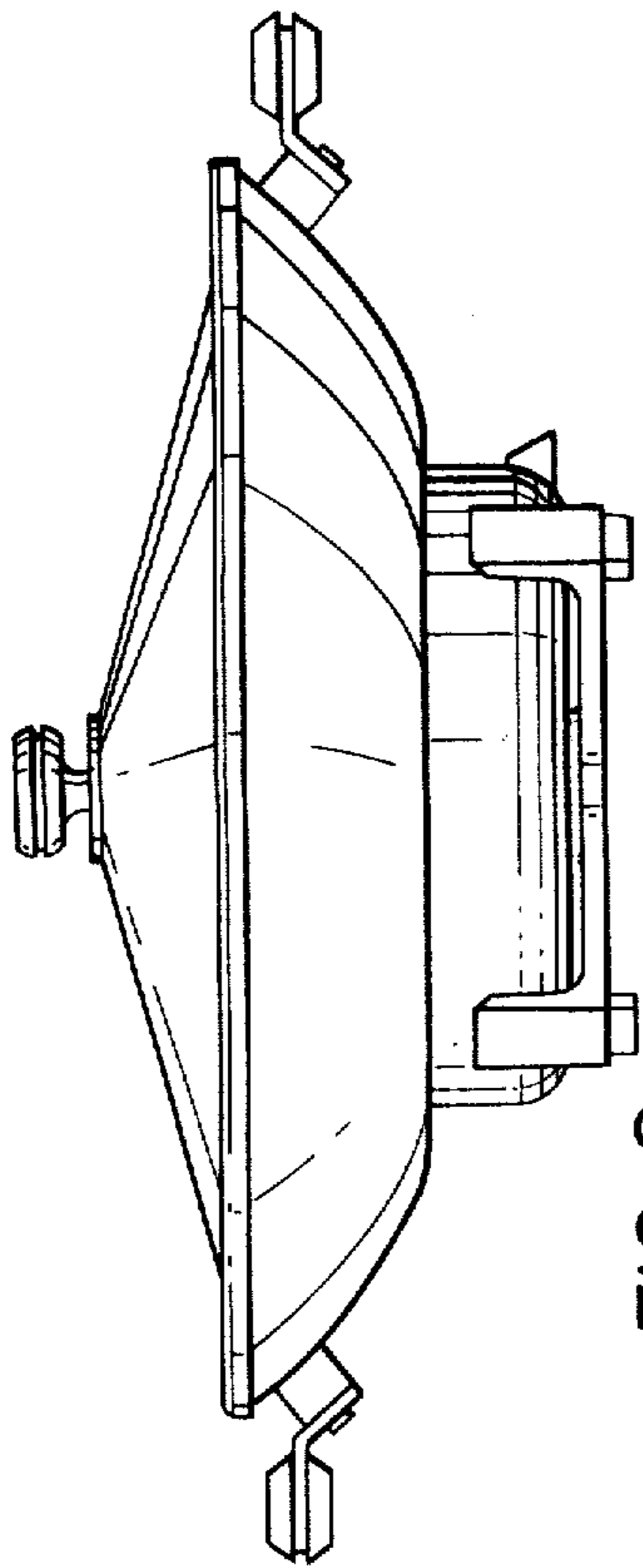


FIG. 2

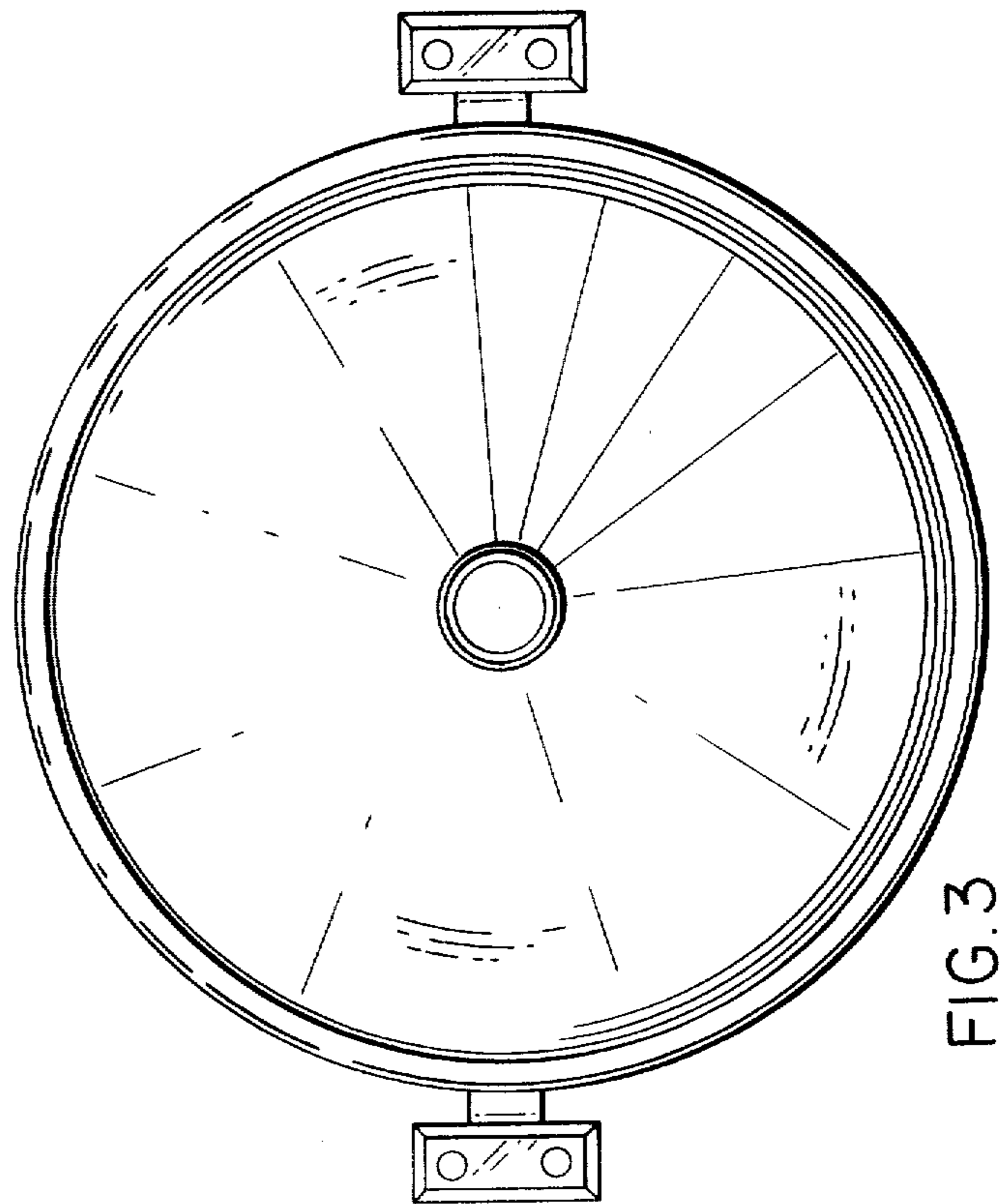


FIG. 3

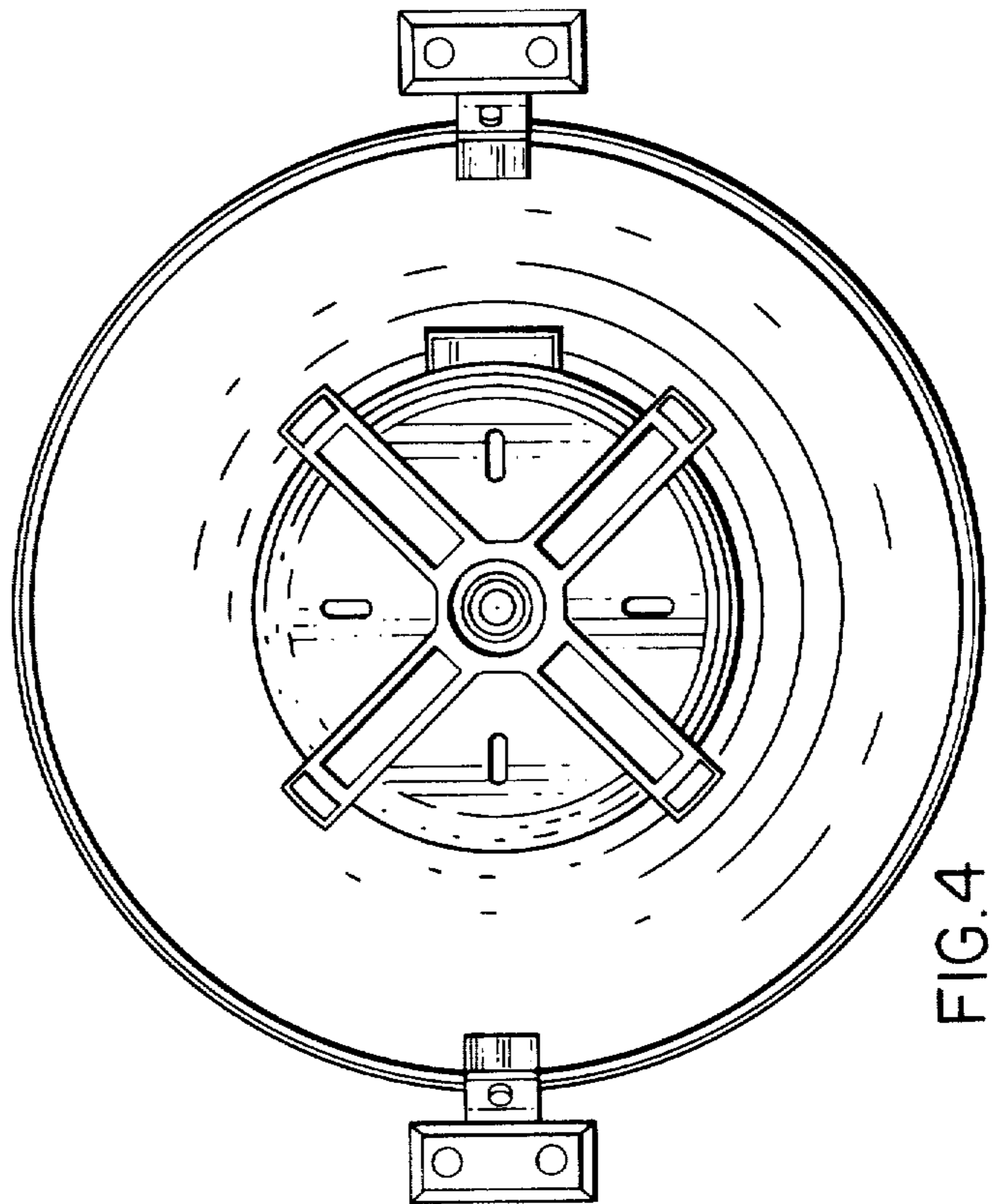


FIG. 4