

[54] CONDIMENT SHAKER OR THE LIKE

[75] Inventor: Rino Conti, Stoughton, Mass.

[73] Assignee: Dart Industries Inc., Northbrook, Ill.

[**] Term: 14 Years

[21] Appl. No.: 257,075

[22] Filed: Apr. 24, 1981

[51] Int. Cl. D07-06

[52] U.S. Cl. D7/54; D9/366; D9/404

[58] Field of Search D7/52-55, D7/57, 58, 51, 79, 81; D9/353, 355, 359, 365, 366, 390, 352, 404, 399, 389; D15/100; 222/142.1-142.9

[56] References Cited

U.S. PATENT DOCUMENTS

D. 187,162 2/1960 Lerner D7/54

D. 230,568 3/1974 Byrne D9/404
D. 245,750 9/1977 MacLean D7/54 X
D. 259,921 7/1981 Hartmann D9/377
1,208,189 12/1916 Miller 222/142.9
2,469,034 5/1949 Garris 222/142.9
3,760,972 9/1973 McKirnan D7/51 X

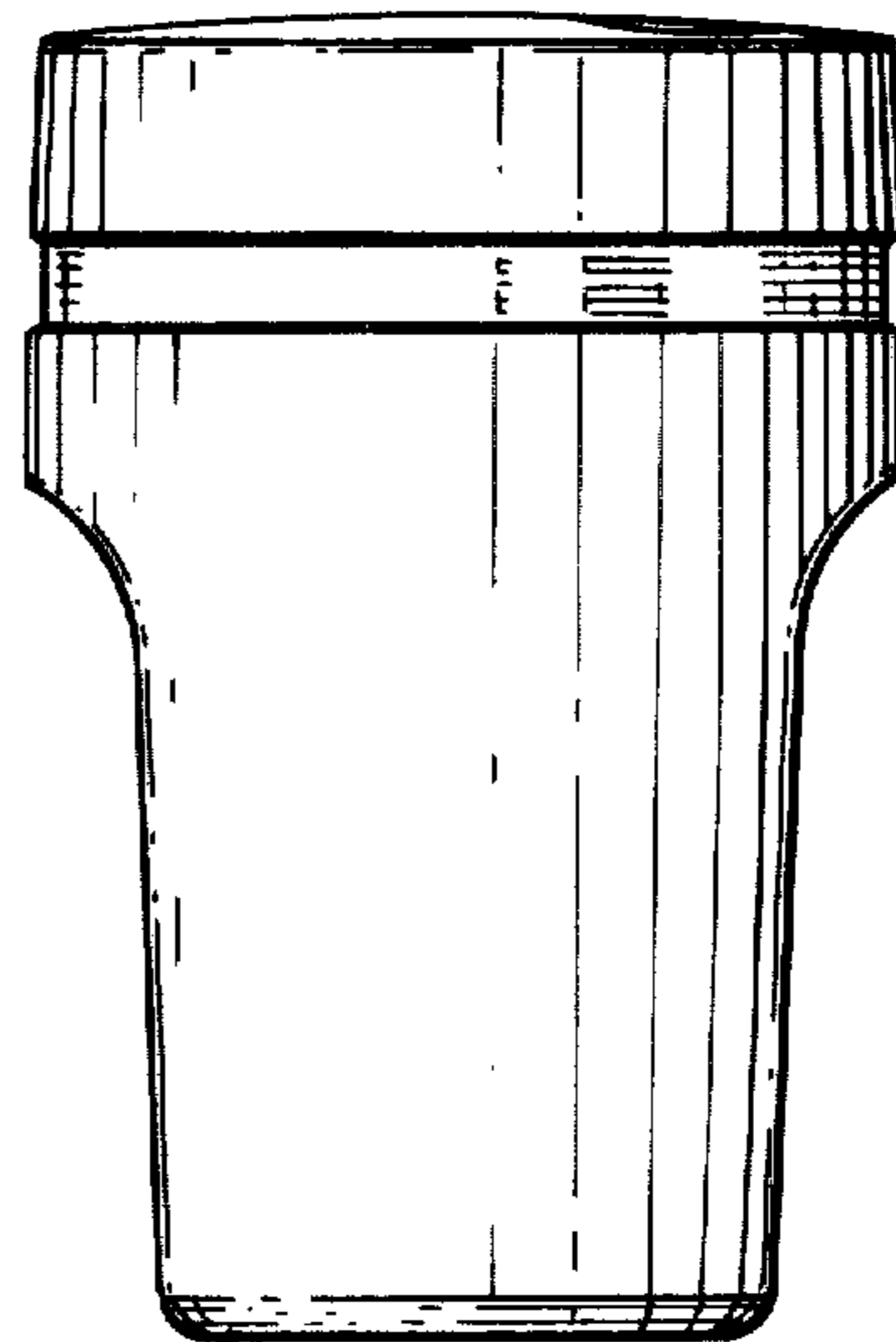
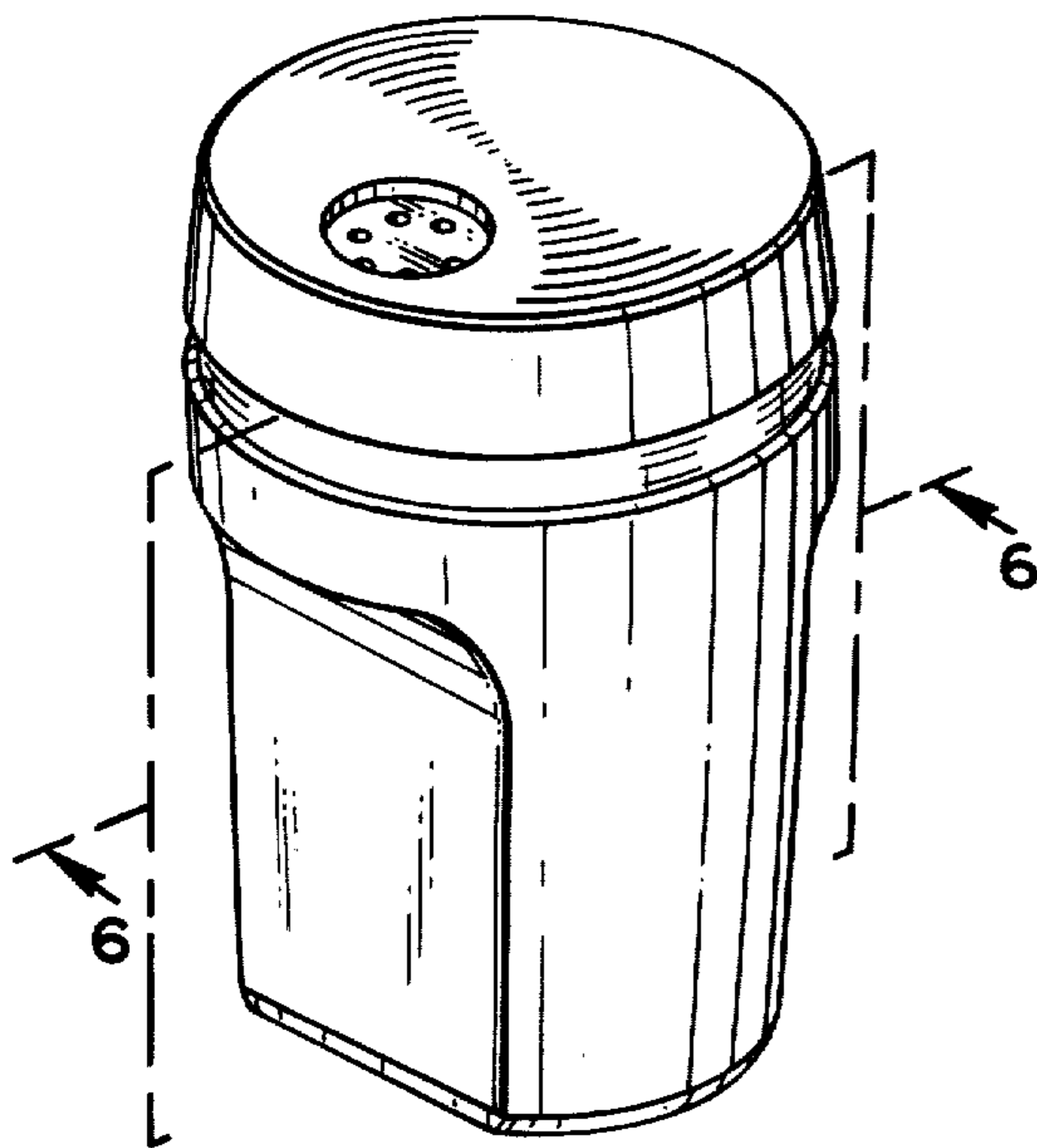
Primary Examiner—Winifred E. Herrmann
Attorney, Agent, or Firm—Leigh B. Taylor

[57] CLAIM

The ornamental design for a condiment shaker or the like, substantially as shown and described.

DESCRIPTION

FIG. 1 is a top perspective view of a condiment shaker or the like showing my new design; FIG. 2 is a side elevational view thereof; FIG. 3 is a top plan view thereof; FIG. 4 is a bottom plan view thereof; FIG. 5 is a front elevational view thereof; and FIG. 6 is a partial cross-sectional view thereof taken along line 6-6 of FIG. 1.



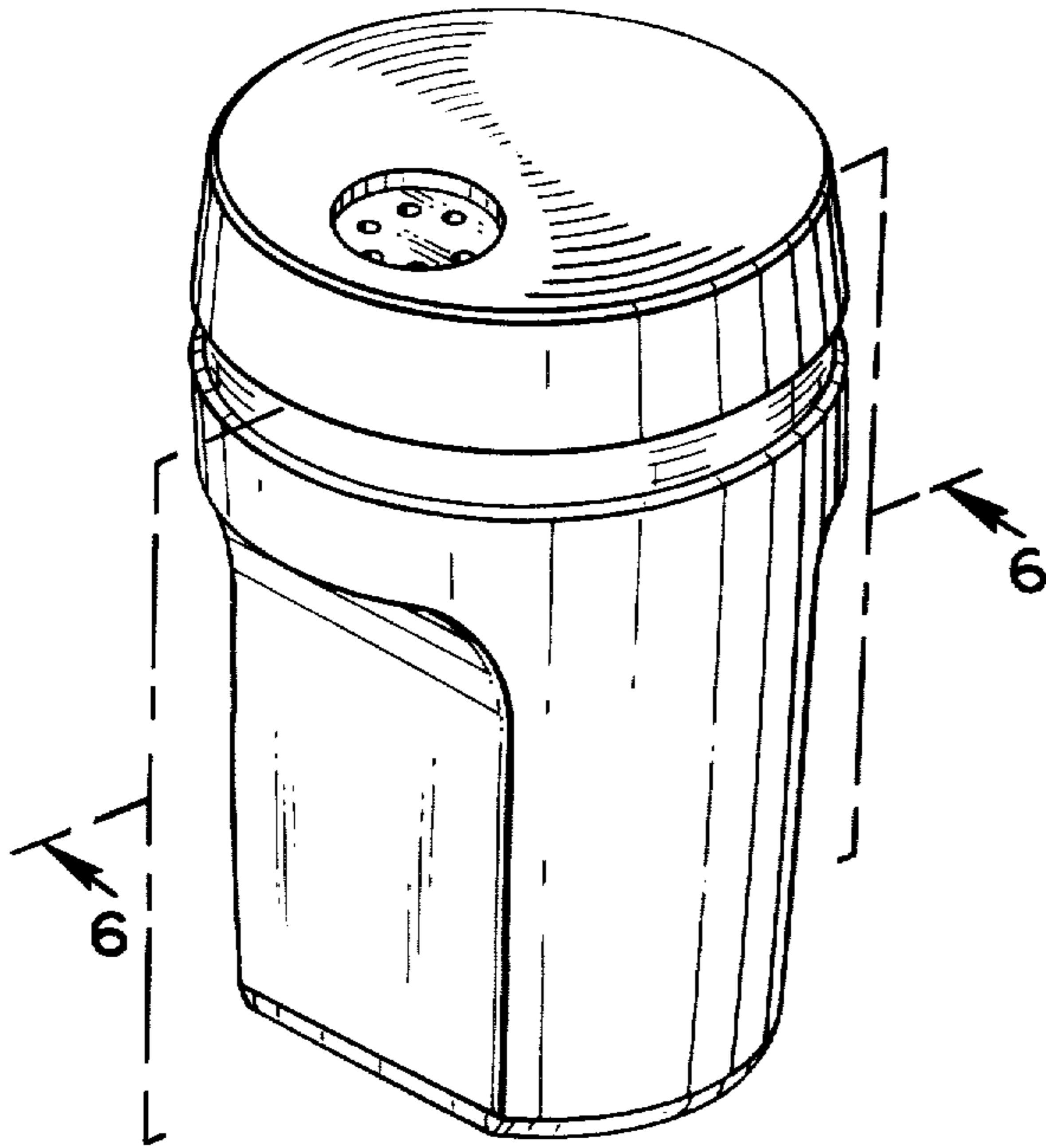


FIG. 1

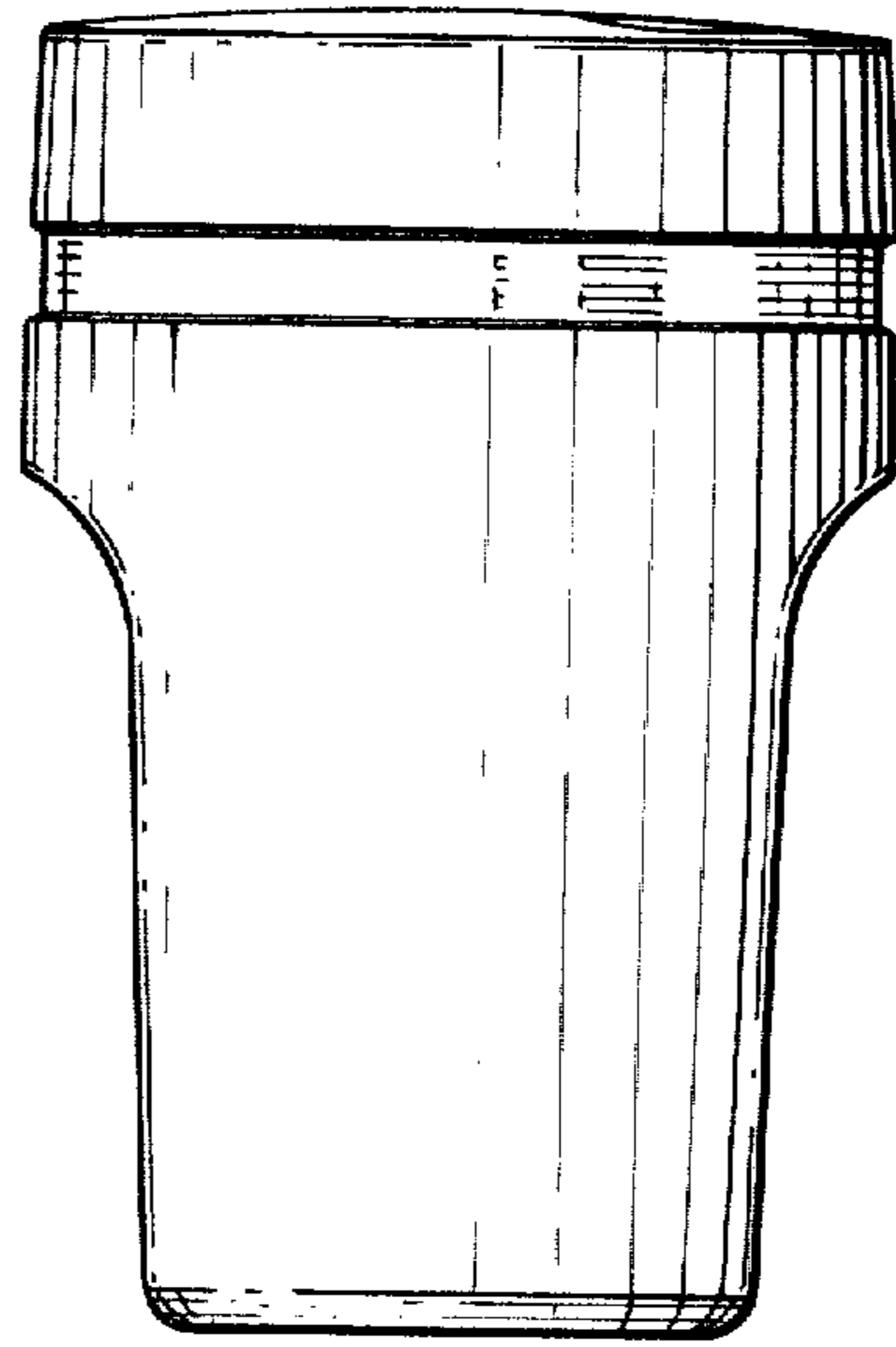


FIG. 2

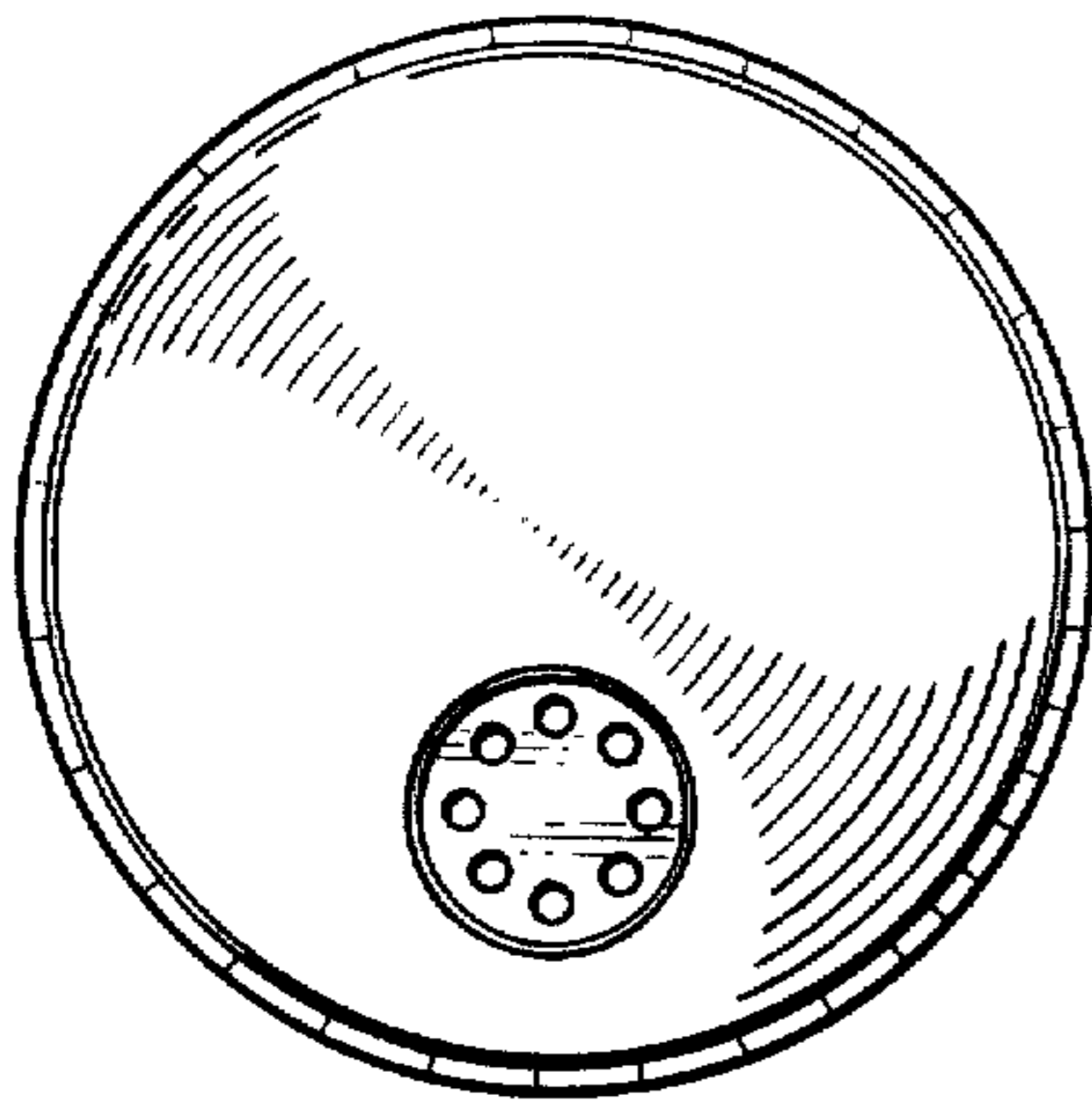


FIG. 3

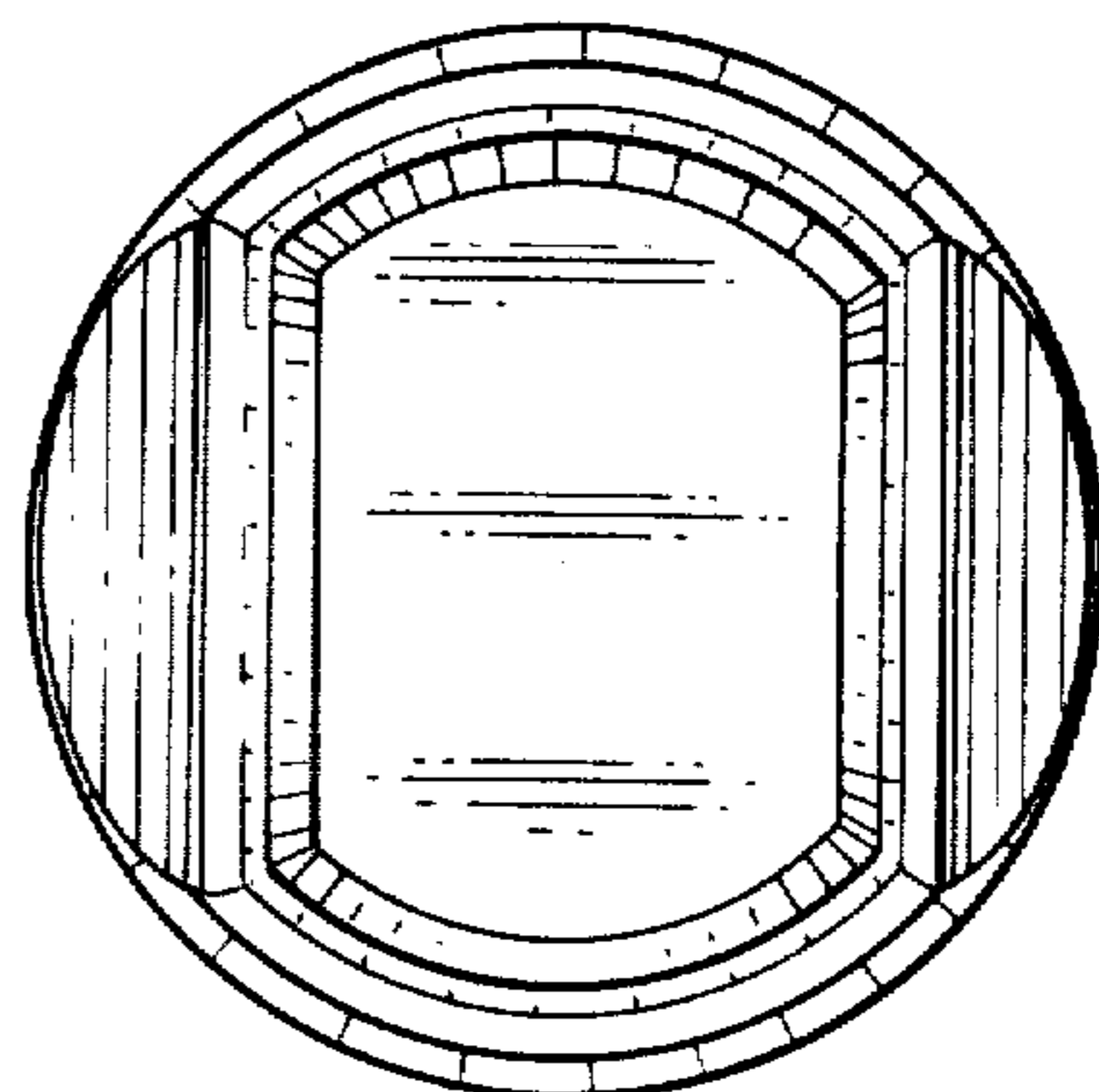


FIG. 4

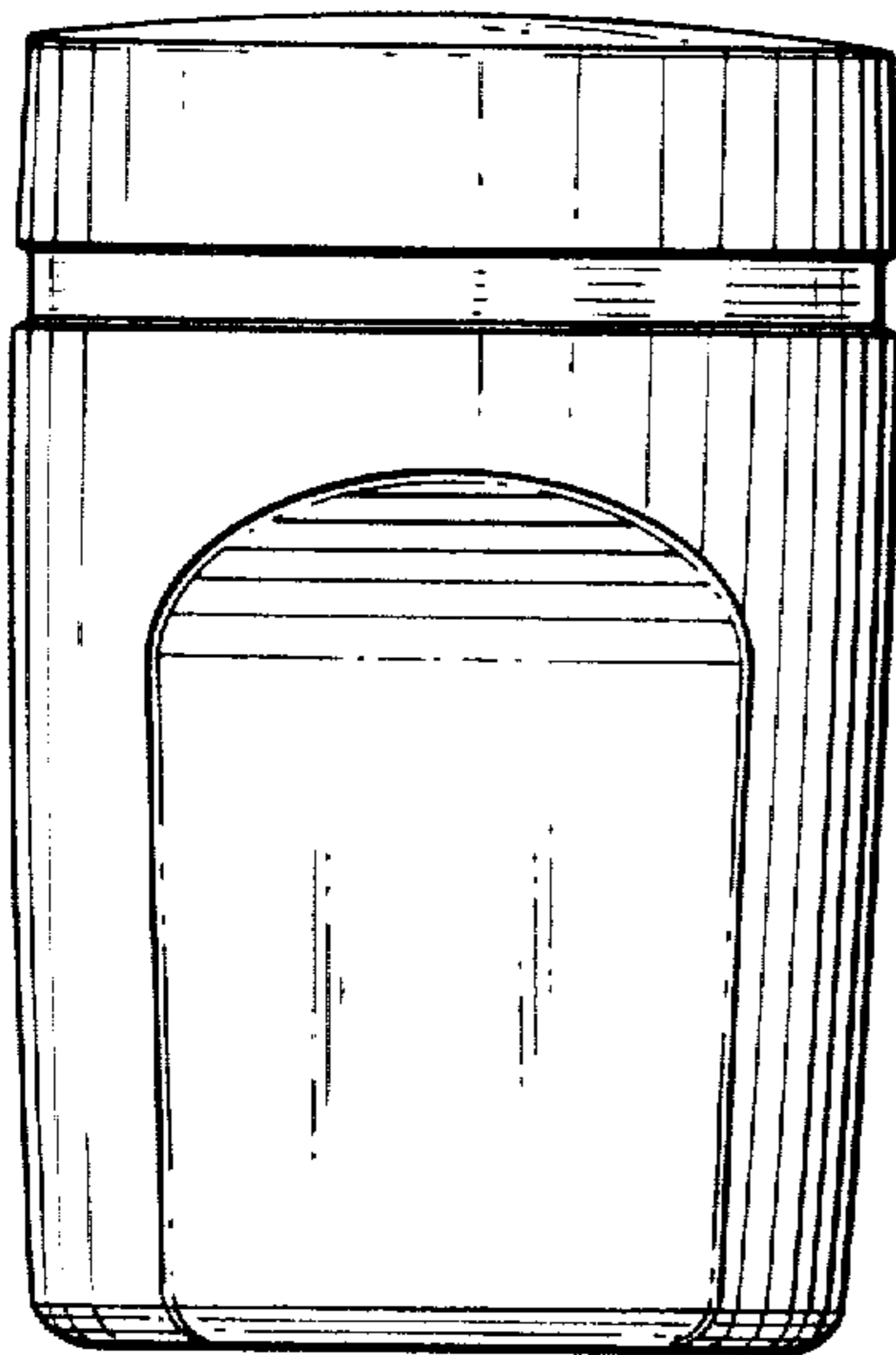


FIG. 5

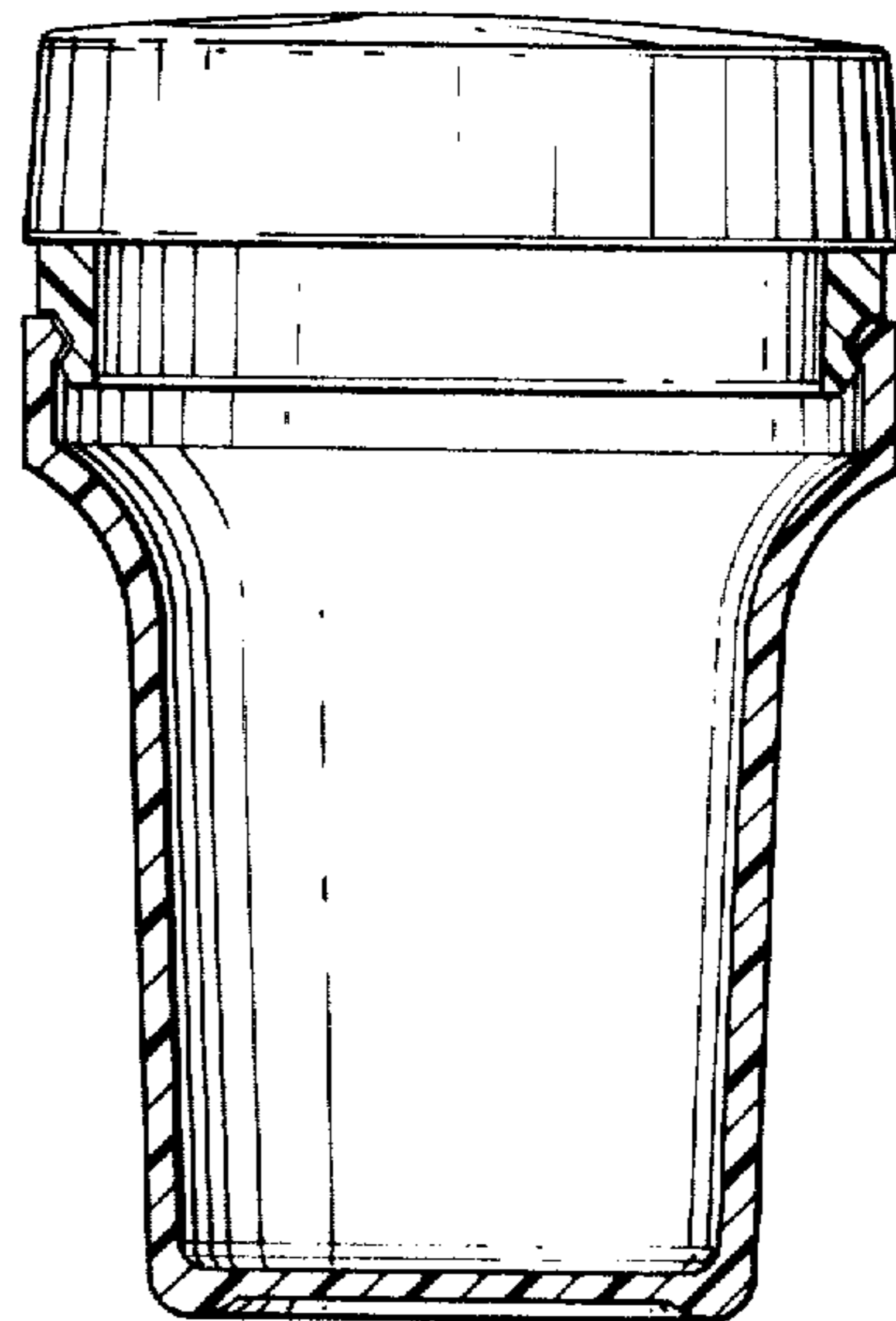


FIG. 6