

- [54] COFFEE MAKER
- [75] Inventor: Teizo Sato, Suita, Japan
- [73] Assignee: U.S. Philips Corporation, New York, N.Y.
- [**] Term: 14 Years
- [21] Appl. No.: 240,534
- [22] Filed: Mar. 4, 1981
- [30] Foreign Application Priority Data
Sep. 5, 1980 [JP] Japan 55-36629
- [51] Int. Cl. D07-02
- [52] U.S. Cl. D7/309
- [58] Field of Search D7/41, 62; D15/113, D15/111, 112

- [56] References Cited
U.S. PATENT DOCUMENTS
D. 243,499 3/1977 Julkenbeck D15/113 X
D. 253,572 12/1979 Rinaldi D15/113 X

3,869,968 3/1975 Ihlenfeld D7/62 X

OTHER PUBLICATIONS

Retailing Home Furnishings Supplement to HFD., Jul. 9, 1979, Sec. Two, p. 1, Hamilton Beach Coffee Maker, 10 Cup Machine shown at top right and bottom left.

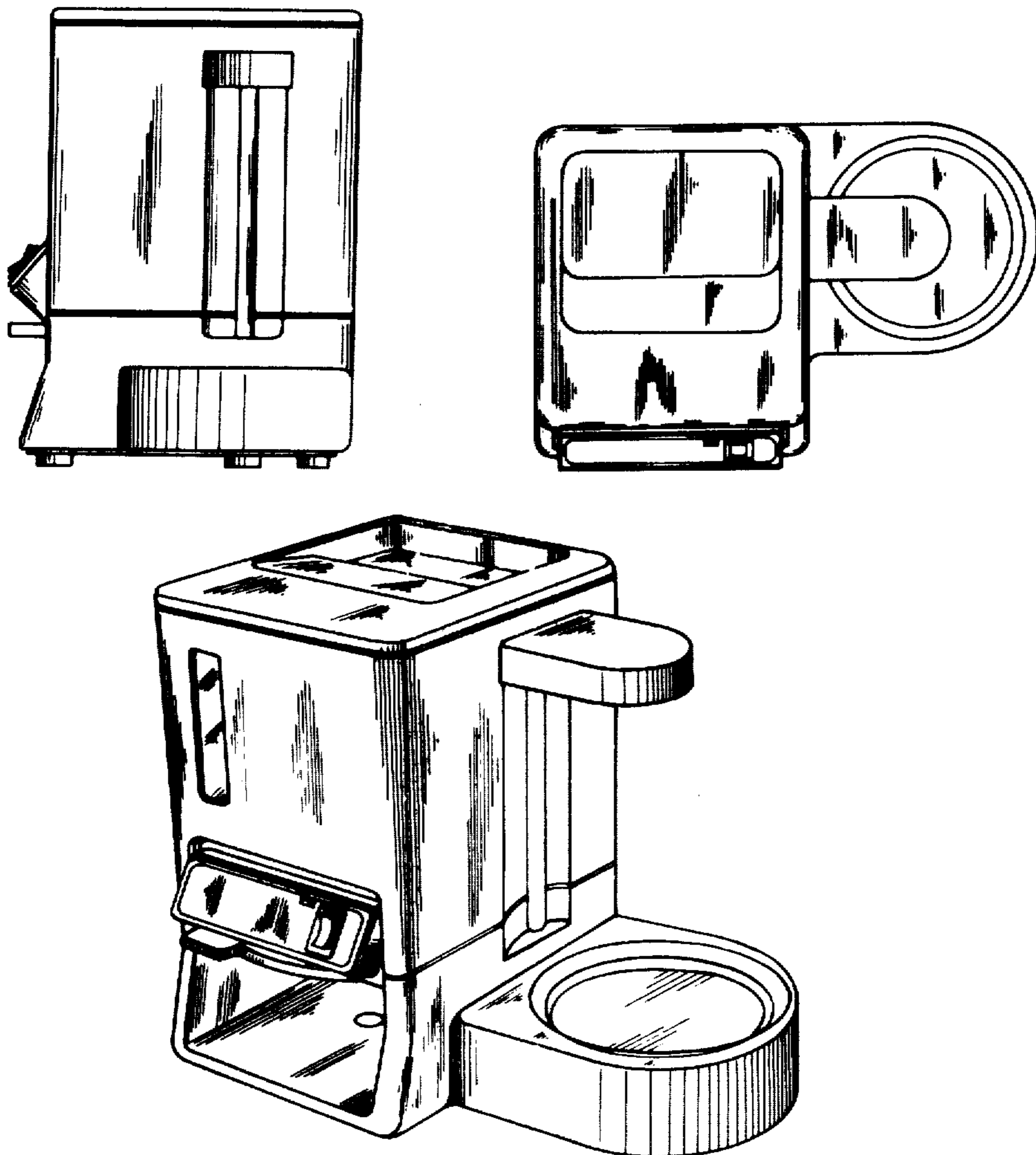
Primary Examiner—Winifred E. Herrmann
Attorney, Agent, or Firm—Thomas A. Briody; William J. Streeter; Rolf E. Schneider

[57] CLAIM

The ornamental design for a coffee maker, as shown and described.

DESCRIPTION

FIG. 1 is a perspective view of a coffee maker showing my new design;
FIG. 2 is a left side elevational view thereof;
FIG. 3 is a right side elevational view thereof;
FIG. 4 is a front elevational view thereof;
FIG. 5 is a rear elevational view thereof;
FIG. 6 is a top plan view;
FIG. 7 is a bottom plan view.



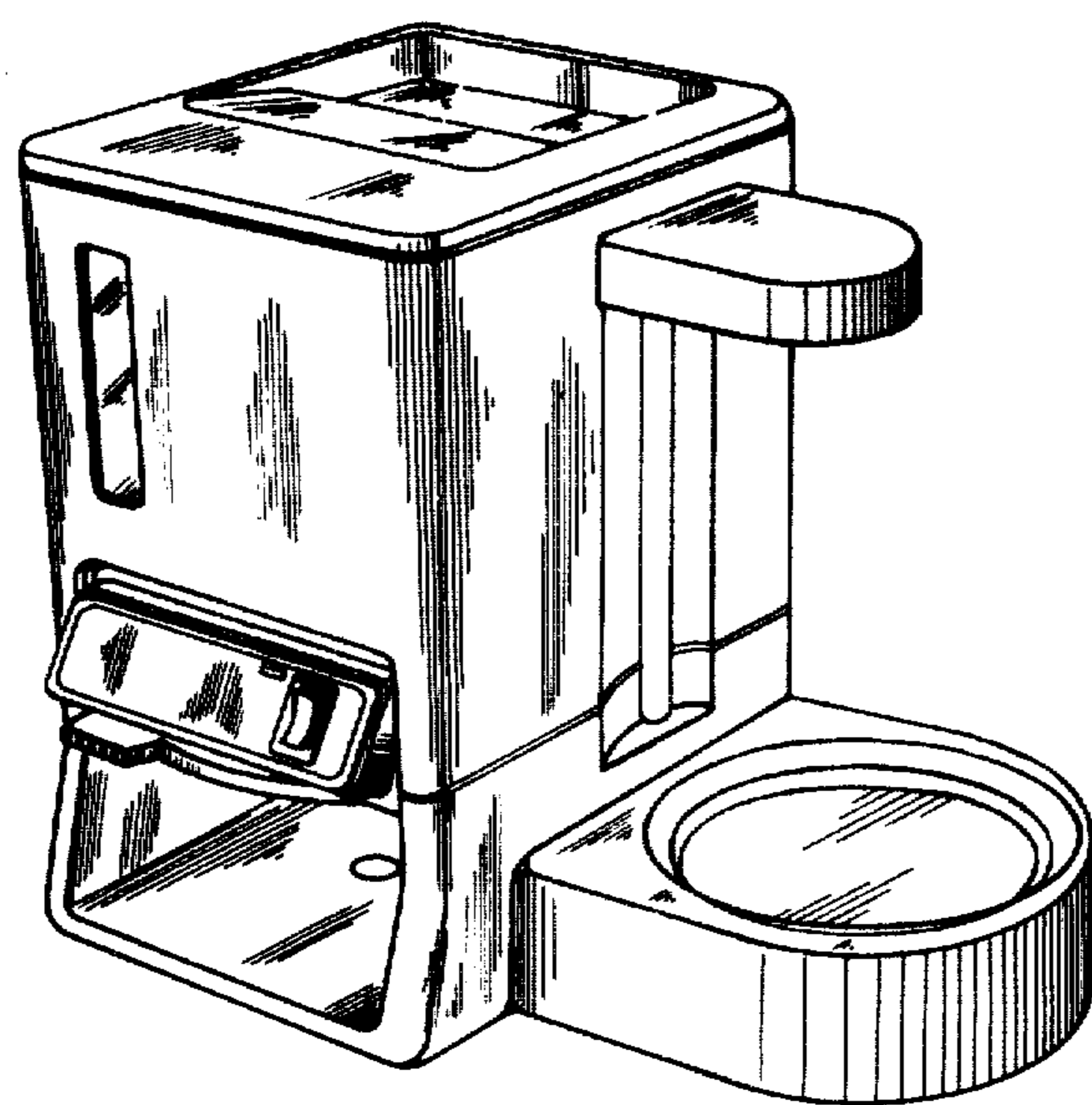


FIG. 1

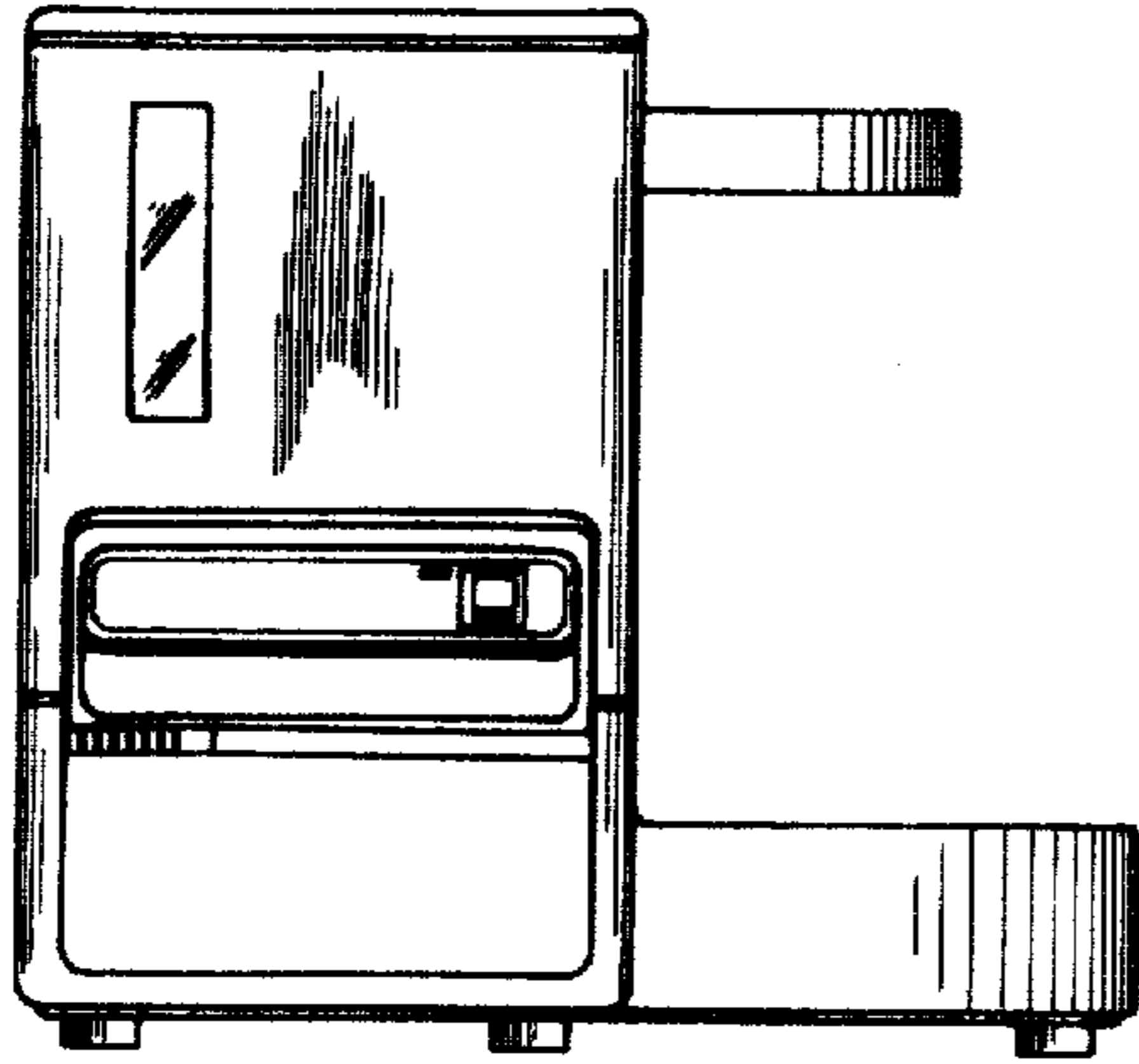


FIG. 2

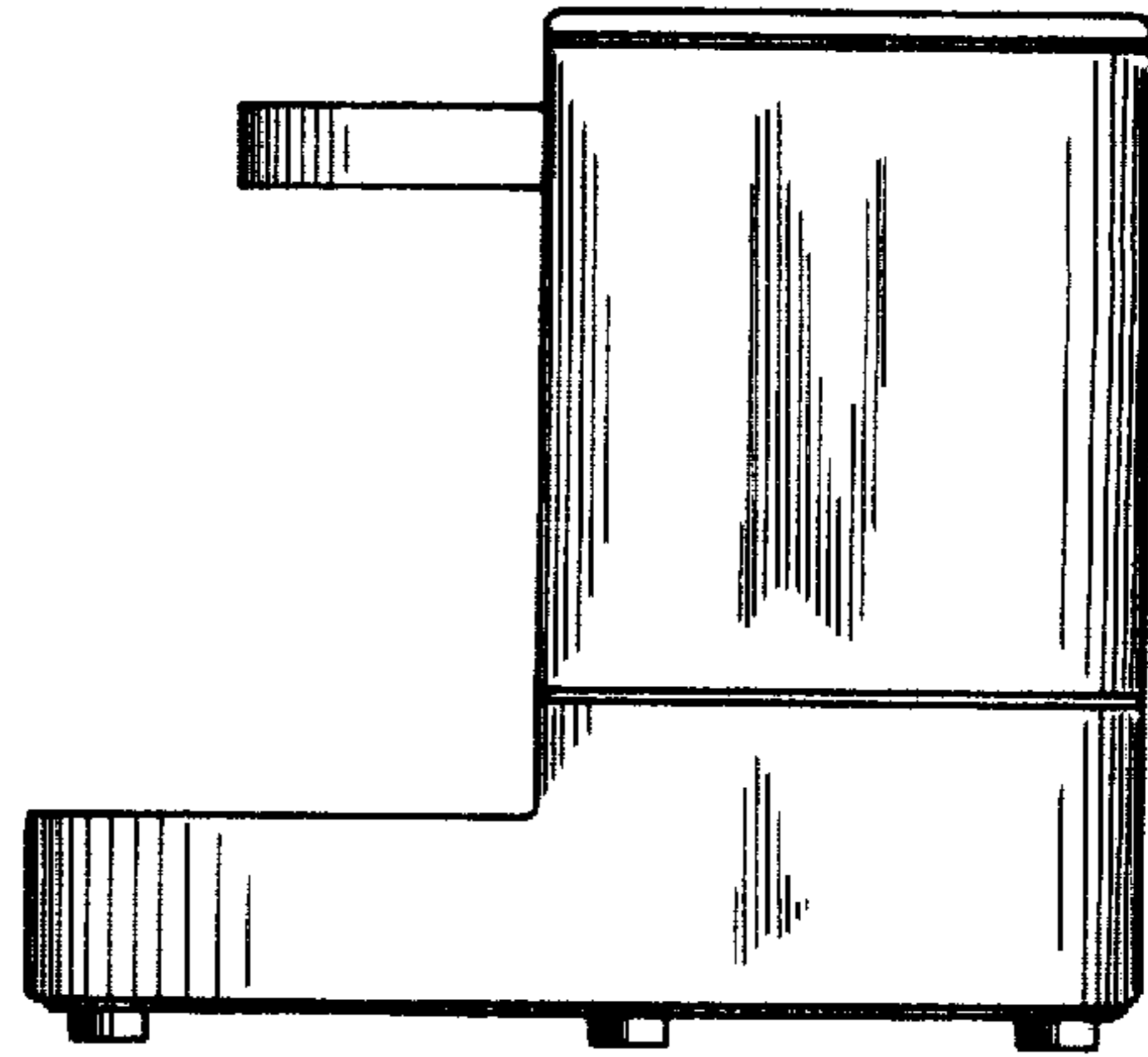


FIG. 3

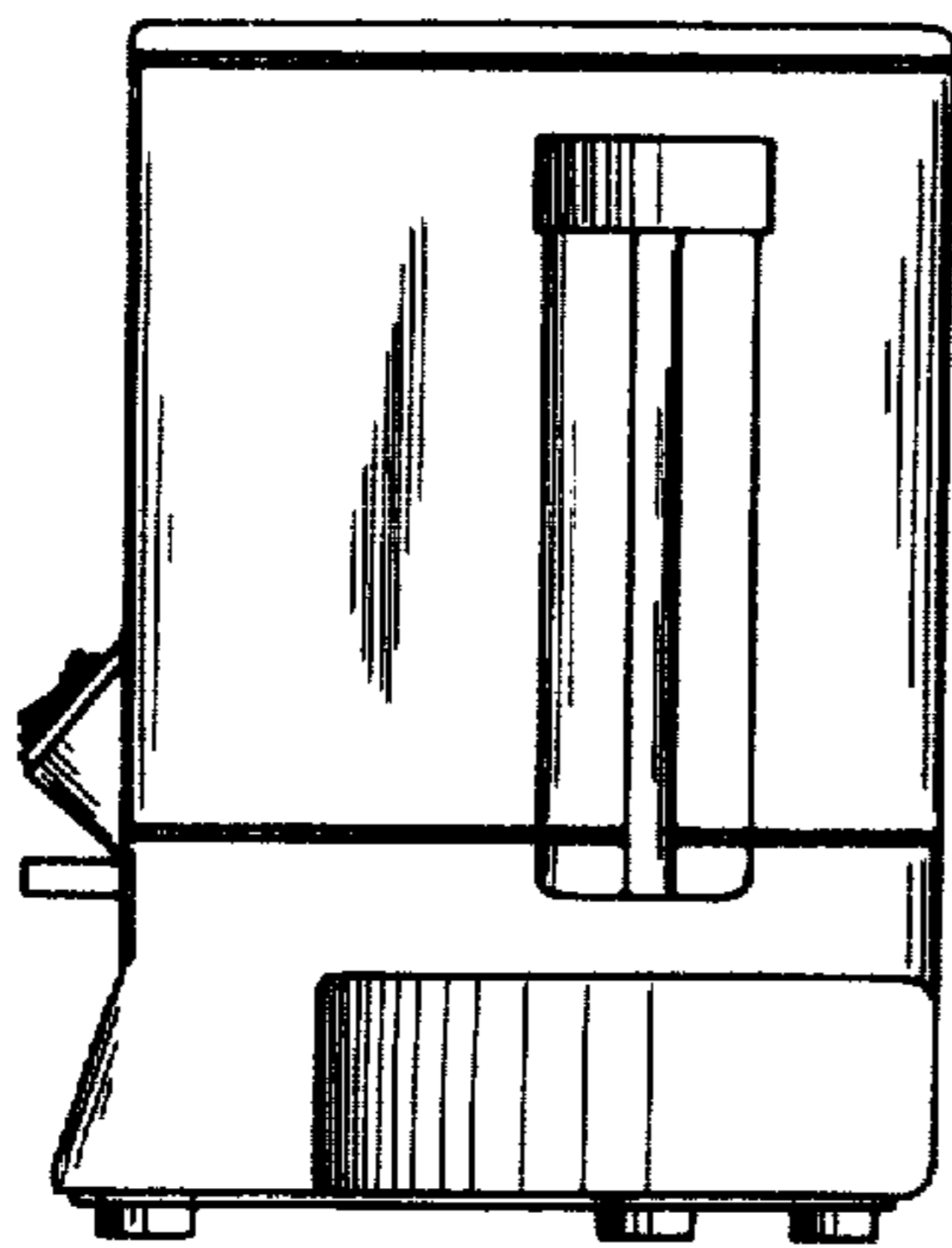


FIG. 4

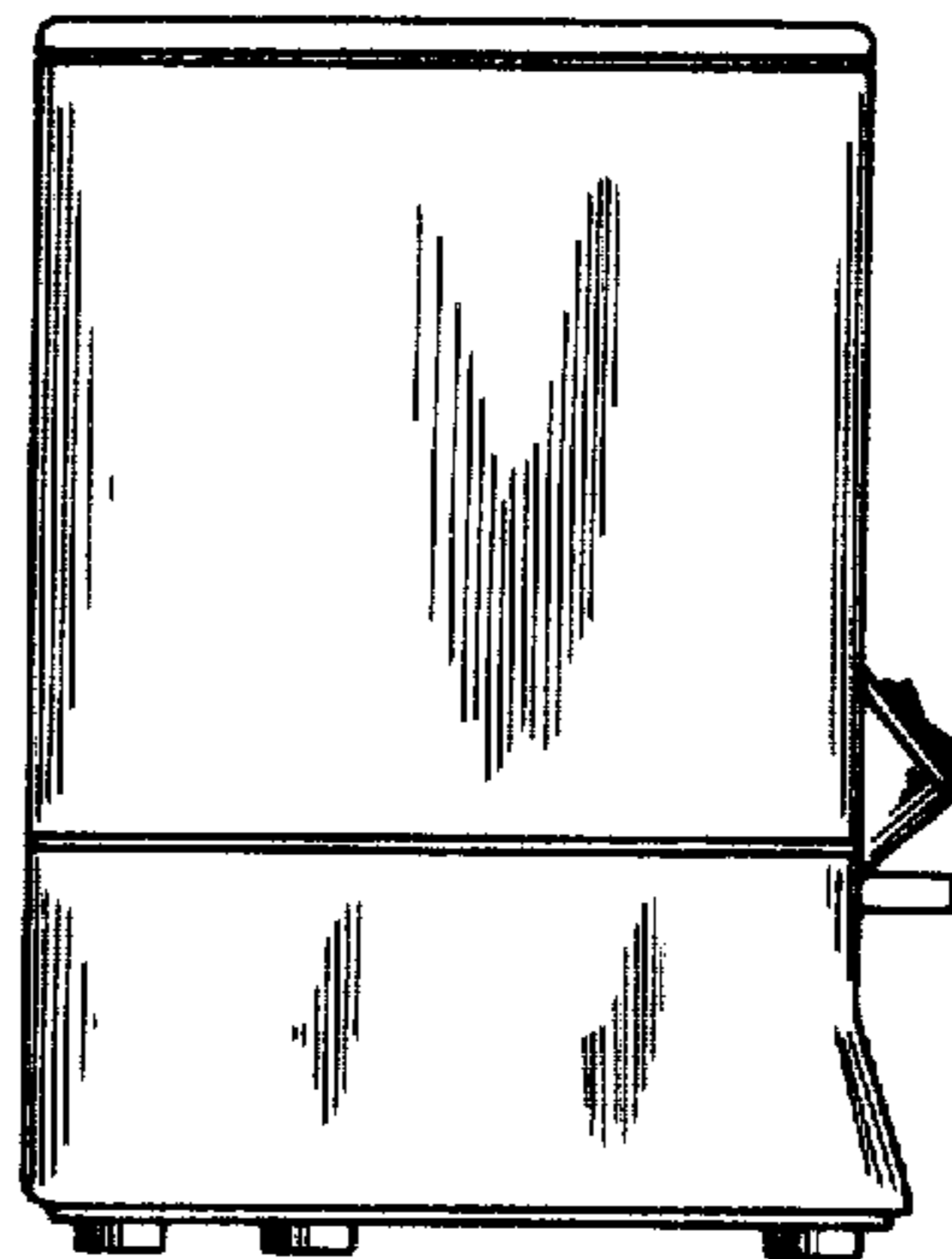


FIG. 5

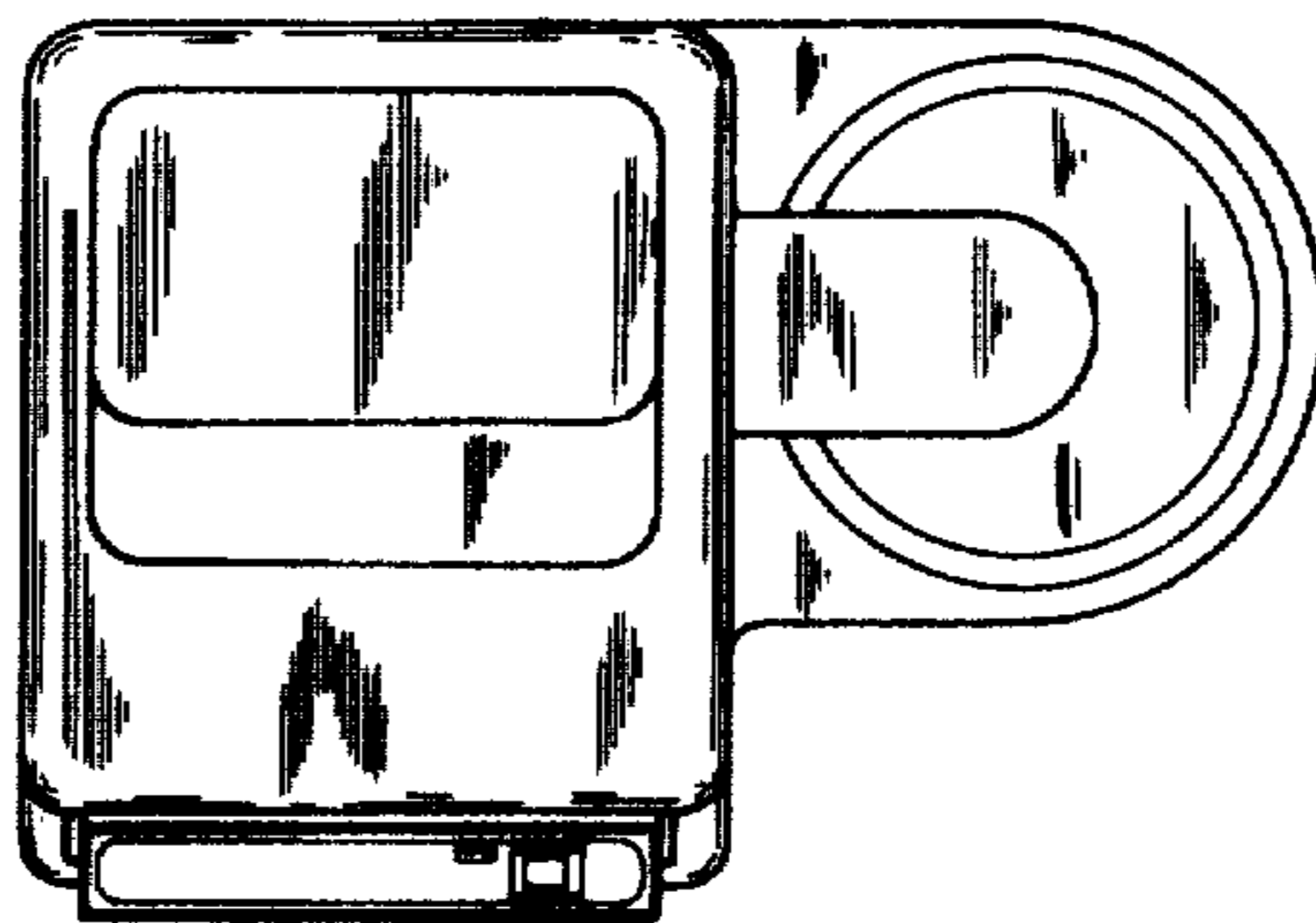


FIG. 6

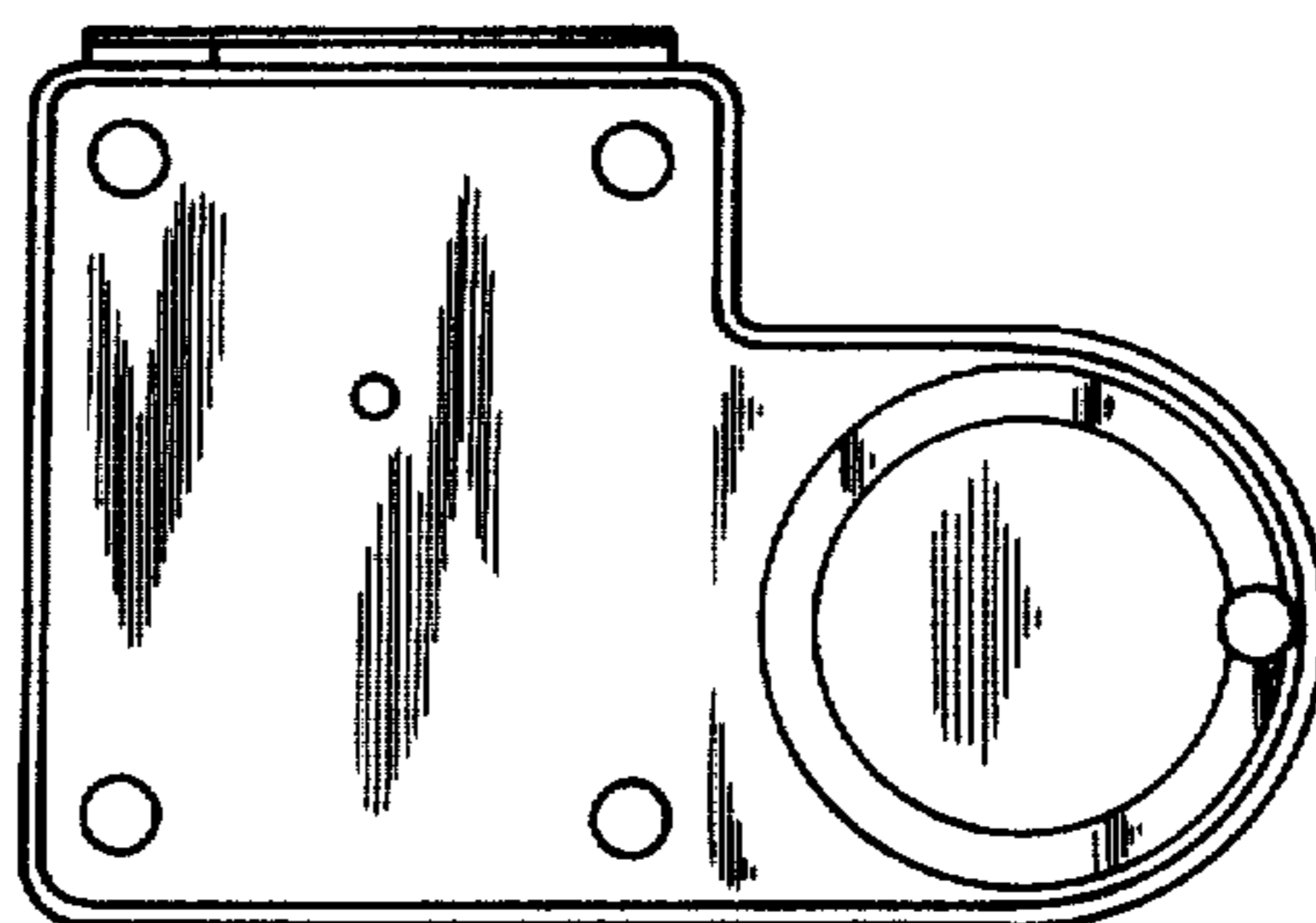


FIG. 7