

[54] **HITCHING TRAVEL CASE**

[76] Inventor: **James L. Laughlin**, 229 Dibblee La., Eugene, Oreg. 97404

[**] Term: **14 Years**

[21] Appl. No.: **181,503**

[22] Filed: **Aug. 26, 1980**

[51] Int. Cl. **D3—01**

[52] U.S. Cl. **D3/32; D3/44; D3/66; D3/76**

[58] Field of Search **D3/30.1, 44, 66, 31, D3/32; D9/432, 367, 378, 382, 327; 224/209; 220/1 B**

[56]

References Cited

U.S. PATENT DOCUMENTS

| | | | |
|------------|--------|------------------|---------|
| D. 135,726 | 5/1943 | Morner . | |
| 1,062,578 | 5/1913 | Axford . | |
| 2,792,980 | 5/1957 | Brown | 224/209 |
| 2,823,971 | 2/1958 | Hoyt | 224/209 |
| 3,759,356 | 9/1973 | Bostick et al. . | |
| 3,980,216 | 9/1976 | Nye | 224/209 |

Primary Examiner—George P. Word
Attorney, Agent, or Firm—Herman J. Hohausser

[57]

CLAIM

The ornamental design for a hitching travel case, substantially as shown and described.

DESCRIPTION

FIG. 1 is a top front perspective view of a hitching travel case showing my new design; and FIG. 2 is a bottom rear perspective view thereof from the opposite side.

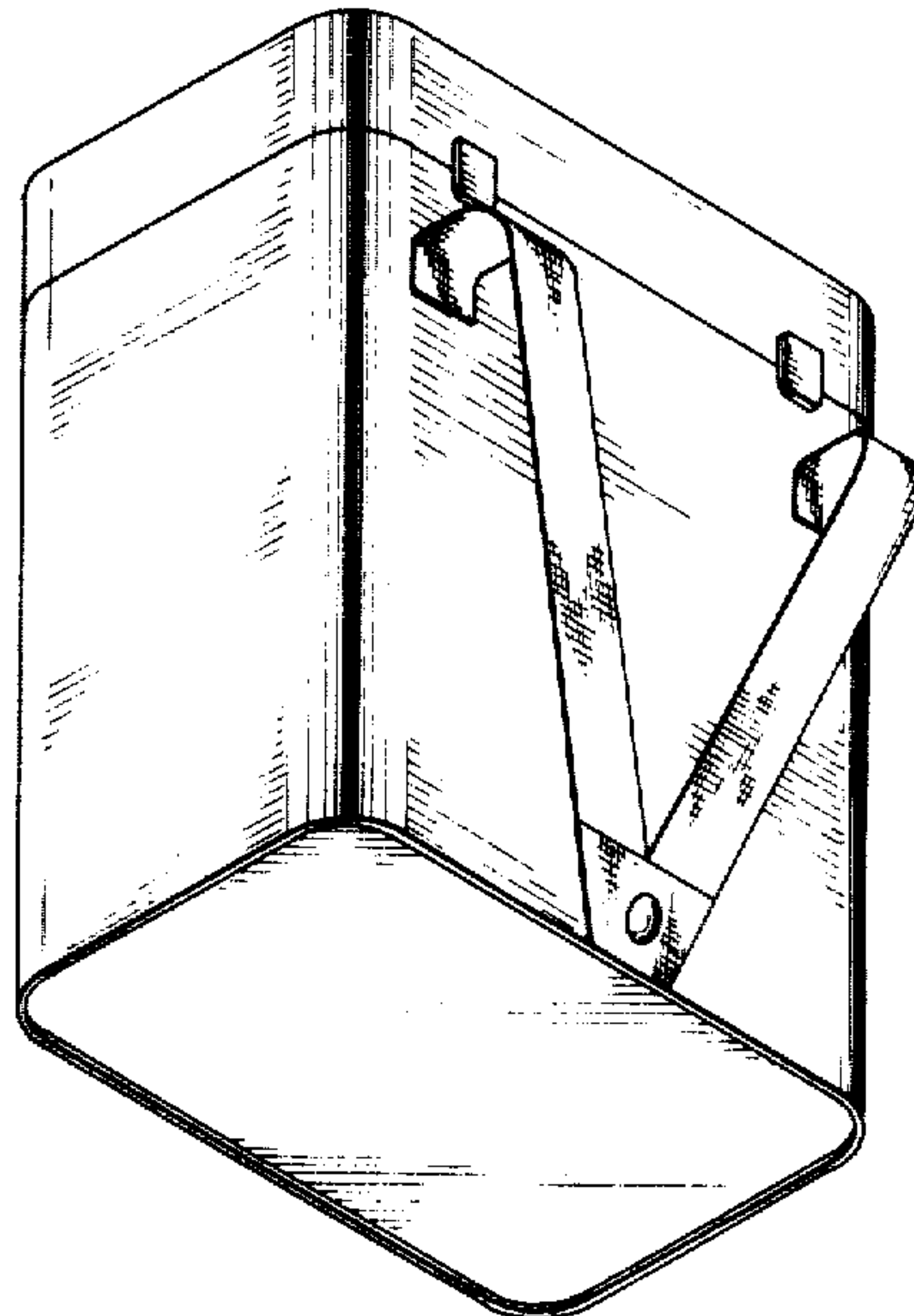
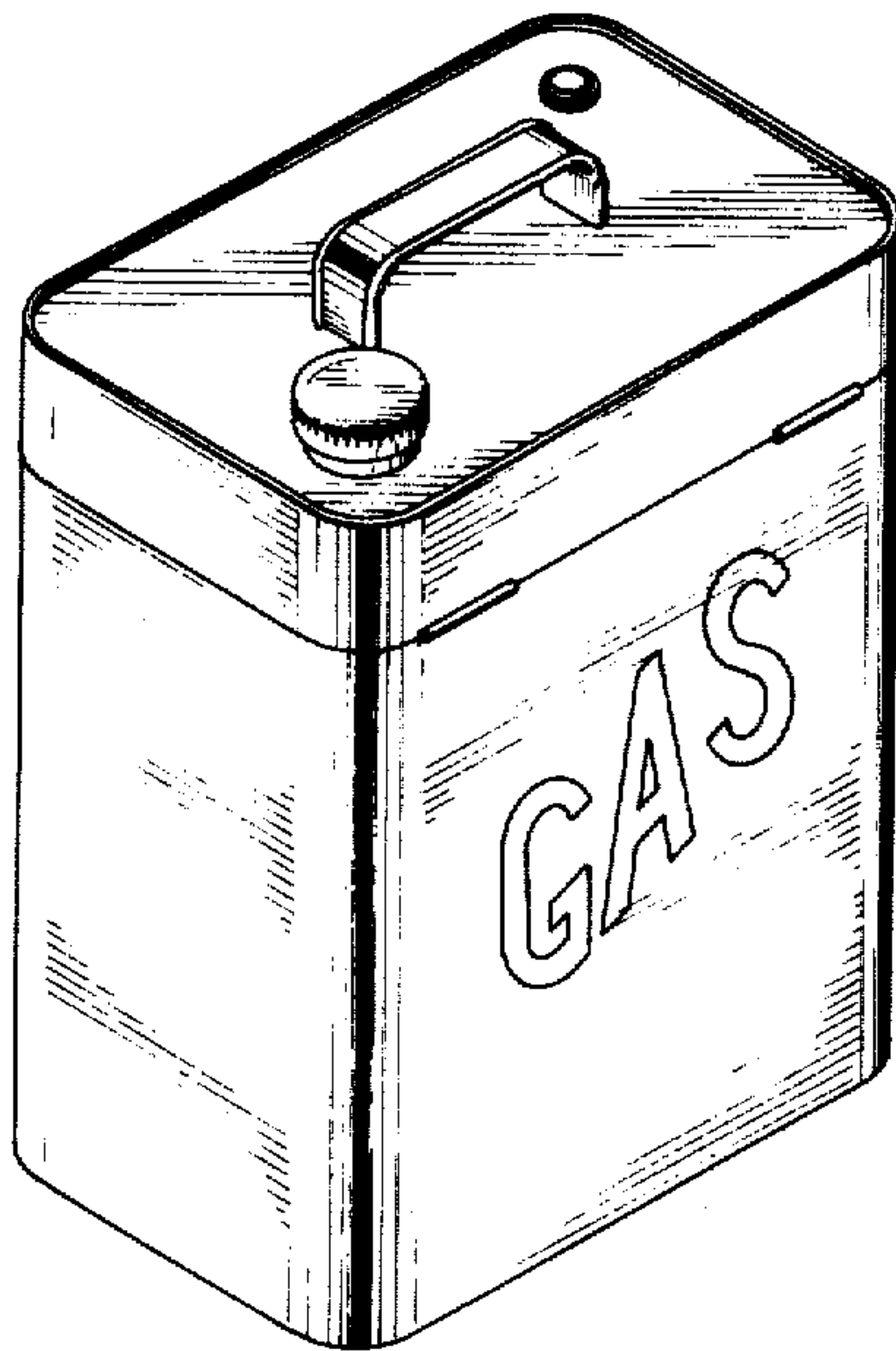


FIG. 1

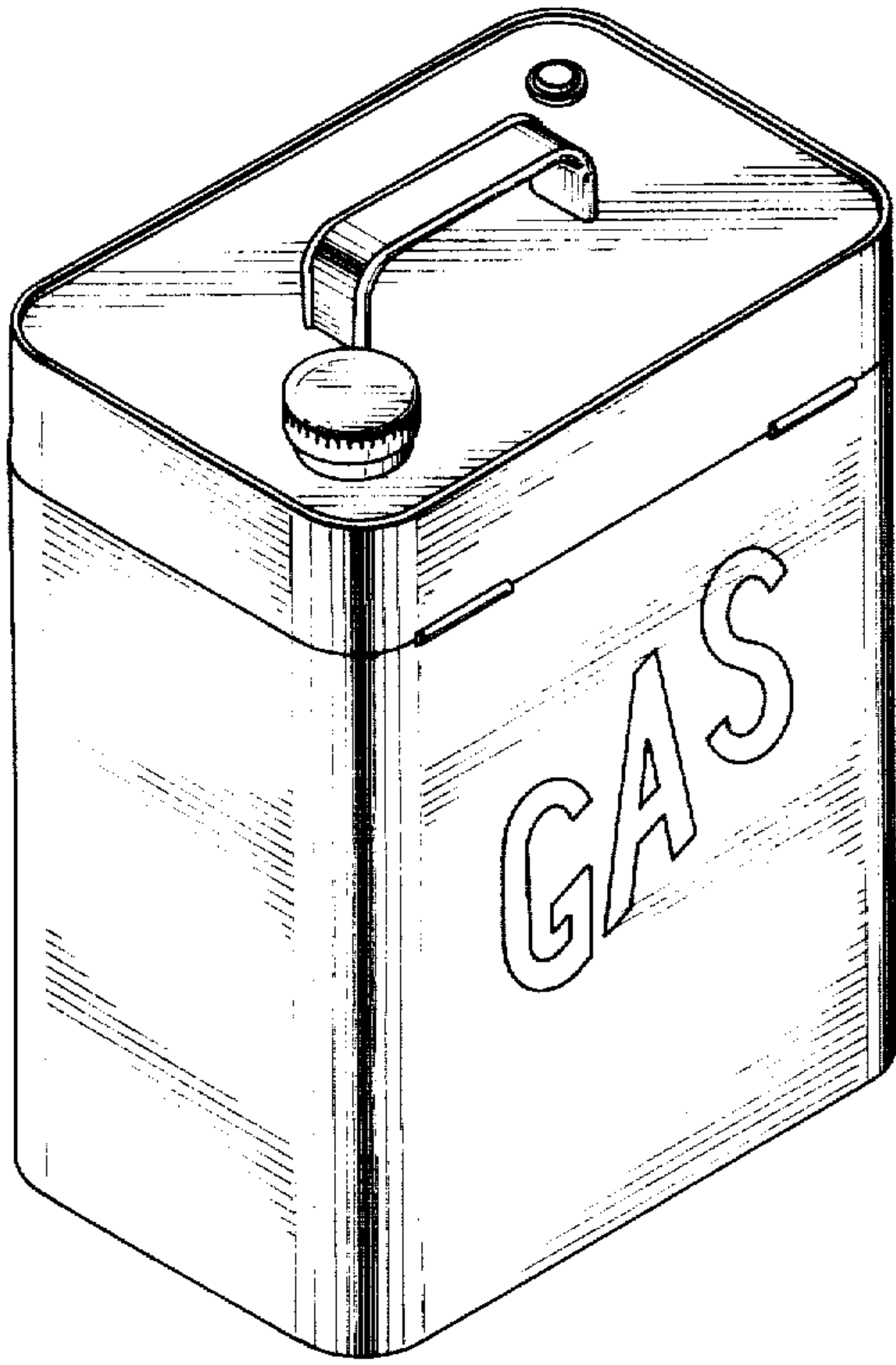


FIG. 2

