

[54] PAIL

[75] Inventors: Daniel A. Goetz; Charles R. Goetz, both of Pittsburgh, Pa.

[73] Assignee: Stylette Plastics, Inc., Oakdale, Pa.

[\*\*] Term: 14 Years

[21] Appl. No.: 300,620

[22] Filed: Sep. 14, 1981

[51] Int. Cl. .... D7-05

[52] U.S. Cl. .... D32/53

[58] Field of Search ..... 15/264; 220/85 SP, 90; D32/53, 54

[56] References Cited

U.S. PATENT DOCUMENTS

D. 204,507	4/1966	Davis	.....	D32/53
2,435,036	1/1948	Forguson	.....	220/90
2,786,614	3/1957	Giusto	.....	220/90 X
4,203,537	5/1980	McAlister	.....	D32/54 X

OTHER PUBLICATIONS

Advertisement entitled "Snap-On Paint'N Partner" of Lotec Corporation of Stamford, Connecticut for a magnetic paint can rim.

Advertisement entitled "Snap-On Paint'N Partner" of Lotec Corporation of Stamford, Connecticut for a magnetic paint can rim.

Primary Examiner—Catherine E. Kemper  
Attorney, Agent, or Firm—Webb, Burden, Robinson & Webb

[57] CLAIM

The ornamental design for a pail, substantially as shown.

DESCRIPTION

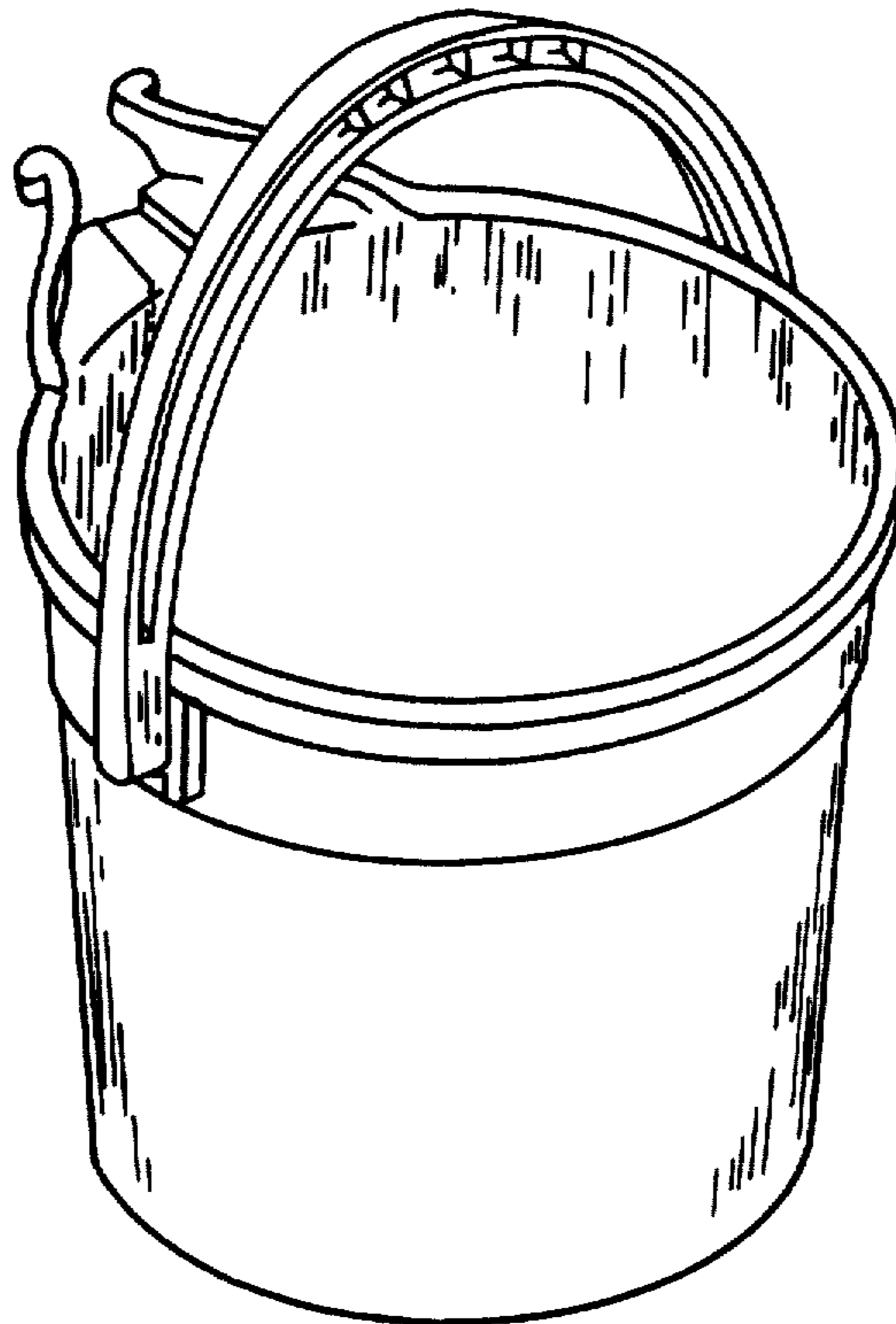
FIG. 1 is a perspective view of a pail showing our new design;

FIG. 2 is a top plan view thereof;

FIG. 3 is a side elevational view thereof;

FIG. 4 is a front elevational view thereof; and

FIG. 5 is a bottom plan view thereof.



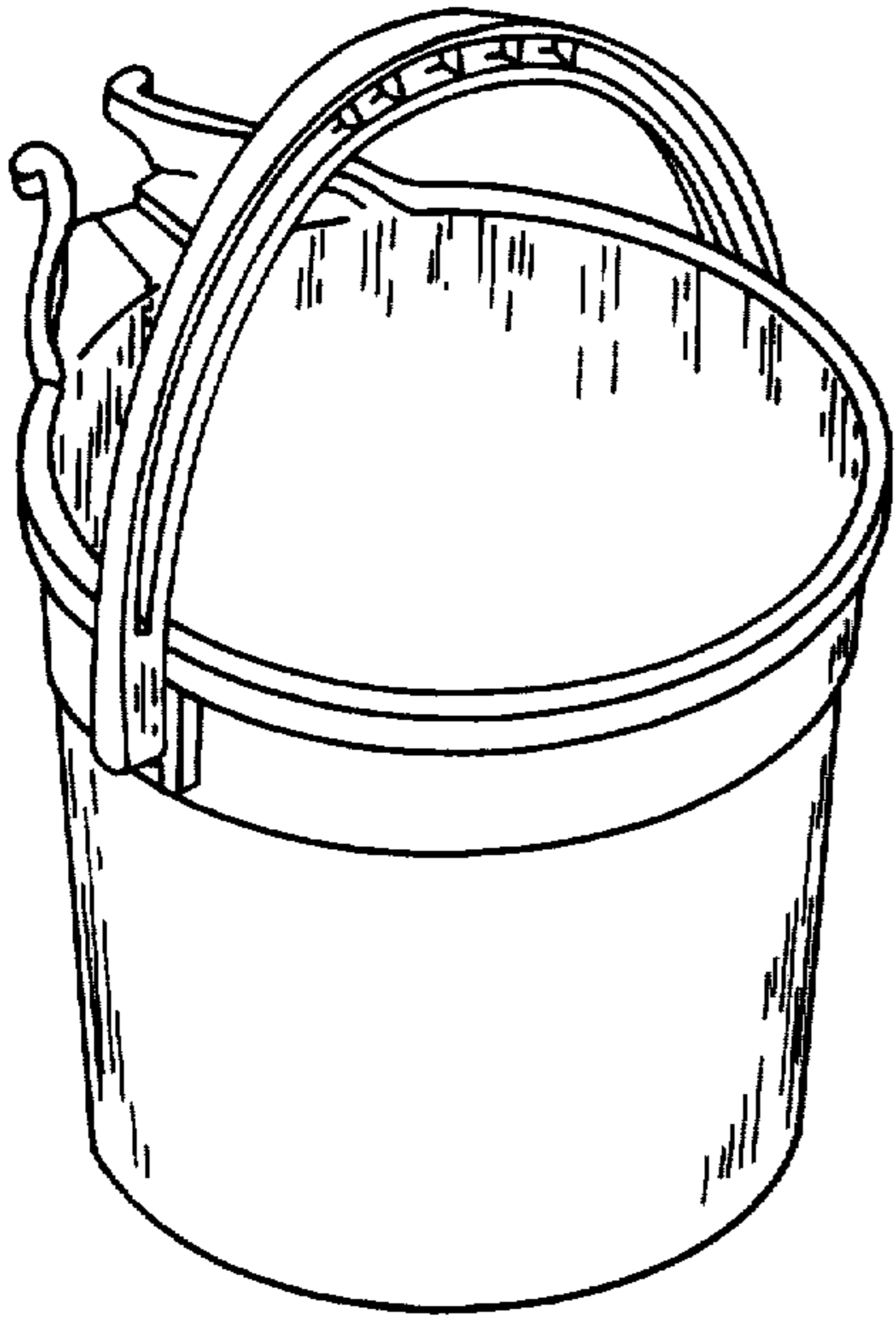


FIG. 1

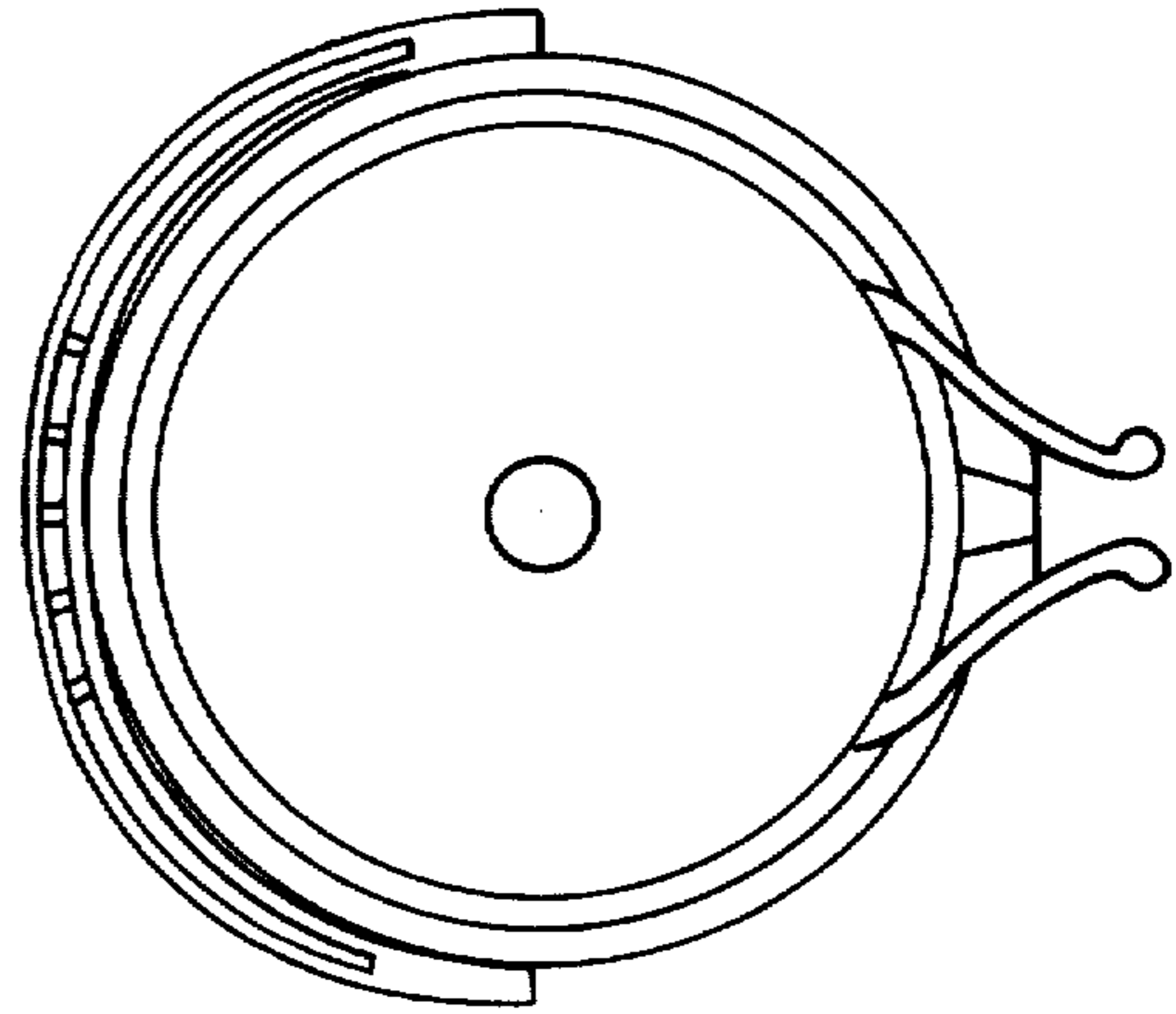


FIG. 2

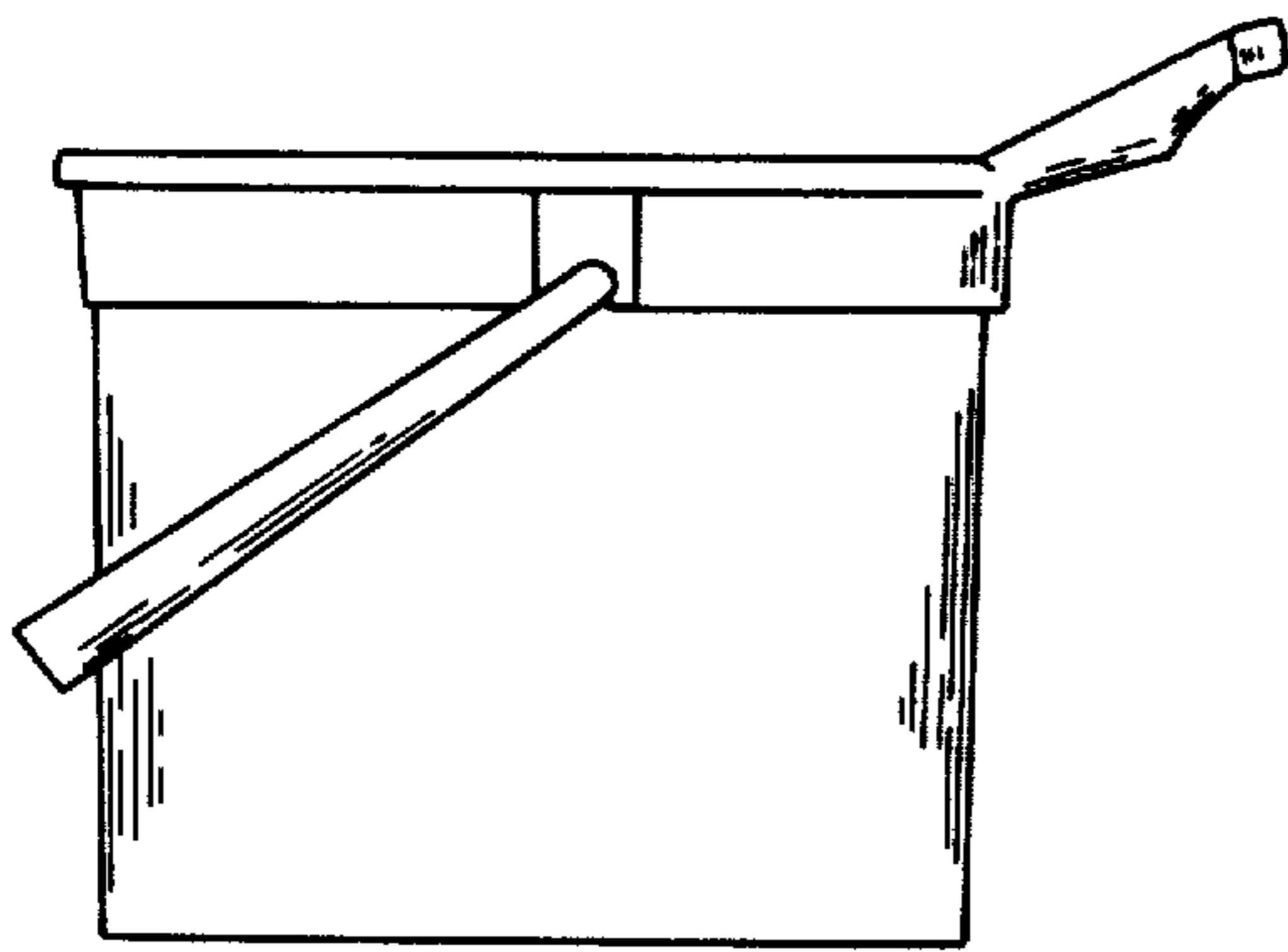


FIG. 3

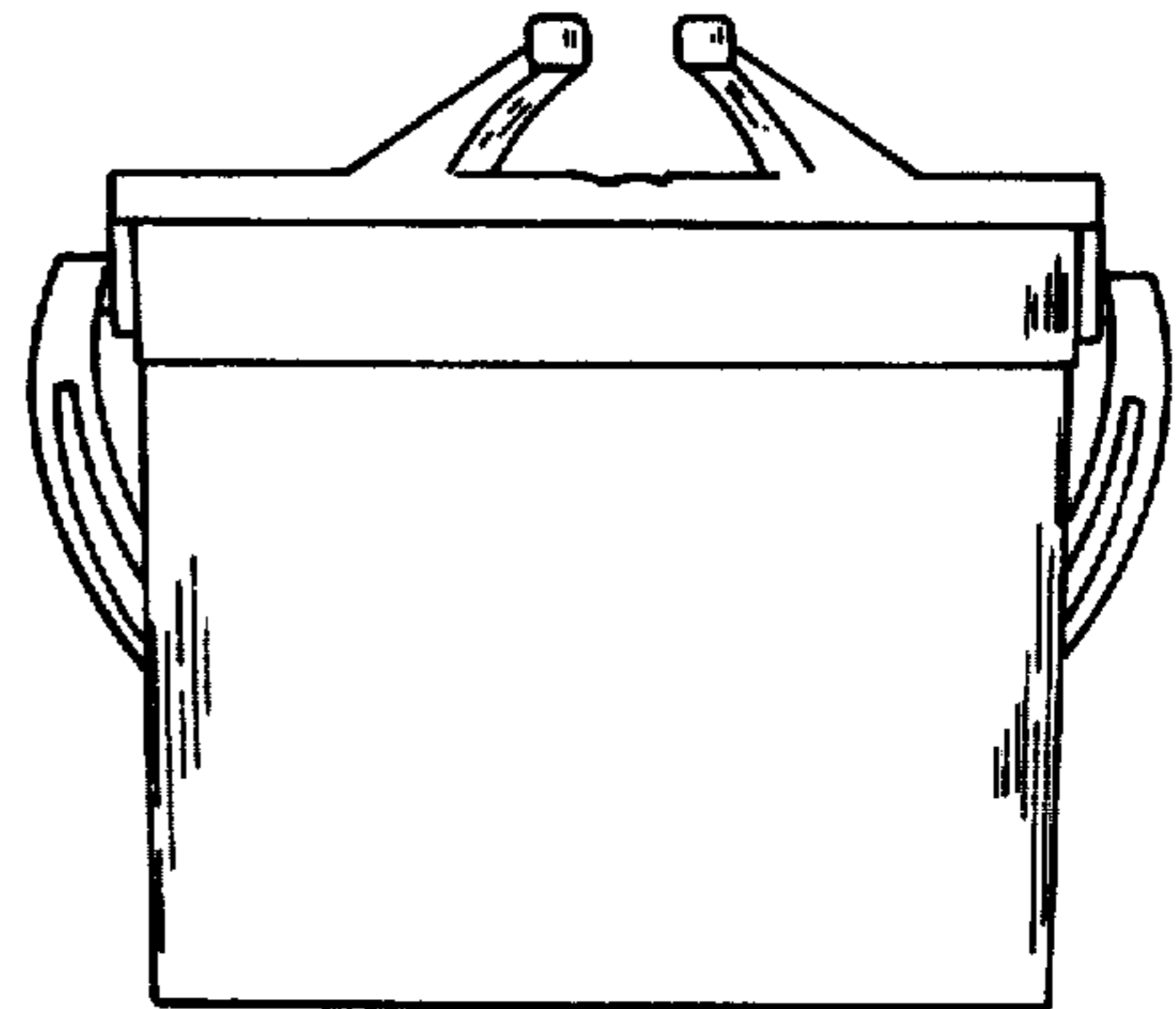


FIG. 4

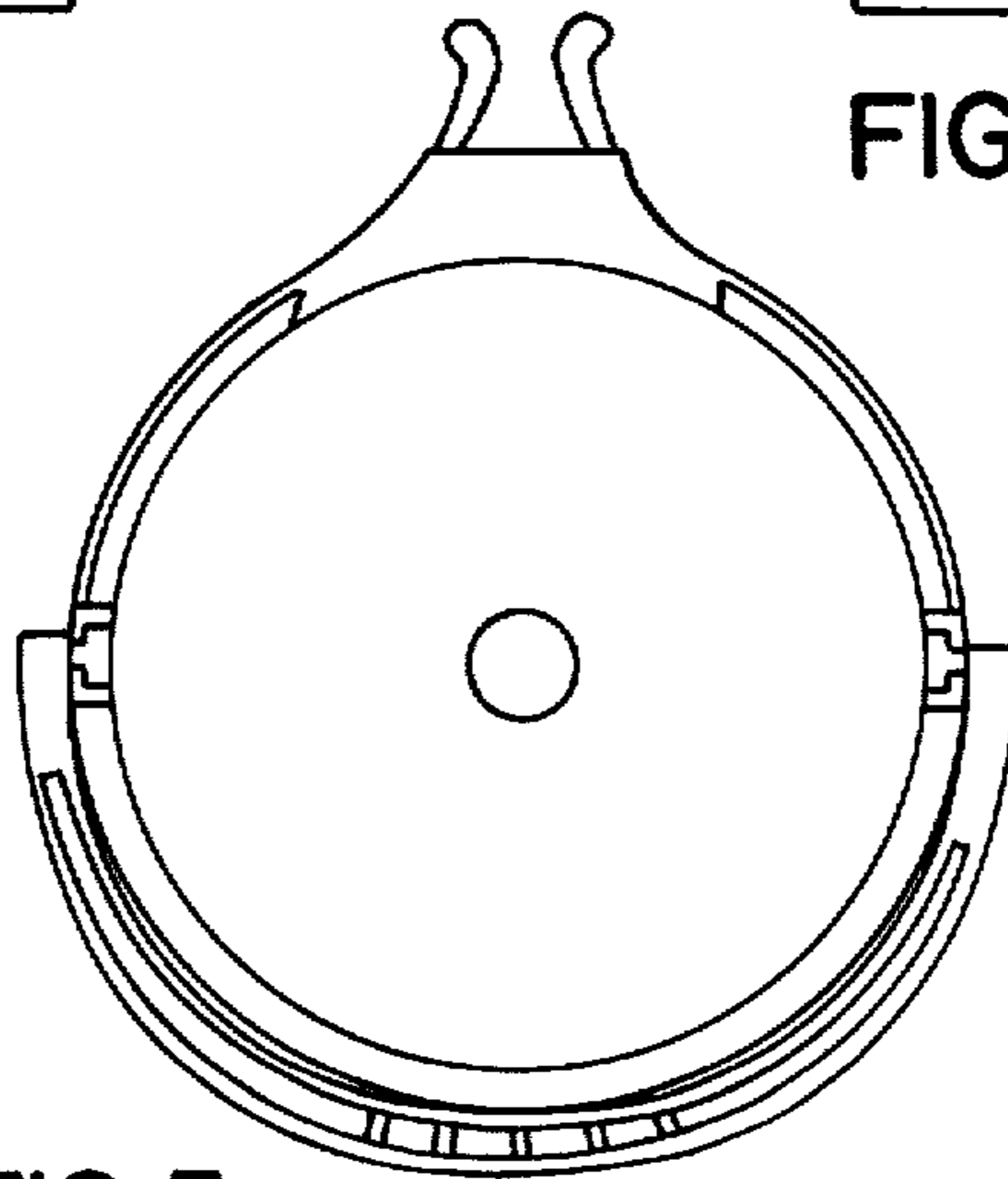


FIG. 5