

[54] COMBINED GARBAGE DISPOSAL
PLUNGER AND SCRAPER

[76] Inventor: Frederick F. Auerbach, 2660 E.
Parley's Way, Salt Lake City, Utah
84109

[**] Term: 14 Years

[21] Appl. No.: 186,521

[22] Filed: Sep. 12, 1980

[51] Int. Cl. D7-05

[52] U.S. Cl. D32/42; D32/35;
D7/101; D8/14

[58] Field of Search D32/35, 42, 46; D7/99,
D7/101, 153, 160; D8/14; D15/92, 93, 121;
7/110, 169, 170; 81/1 R, 3 R

[56] References Cited

U.S. PATENT DOCUMENTS

- D. 35,130 9/1901 Allison D8/14
- D. 46,996 2/1915 Howell D32/35
- D. 104,381 5/1937 Price D7/99

- D. 119,763 4/1940 Nelson D32/35
- D. 155,489 10/1949 de Mesquita D32/35
- D. 169,561 5/1953 Raymond D7/101
- D. 256,770 9/1980 Broyles D8/14
- D. 261,346 10/1981 Thornley D7/101
- 3,088,345 5/1963 Campbell 81/1 R
- 3,765,275 10/1973 Johnson 81/1 R
- 4,250,771 2/1981 Berler 81/3 R

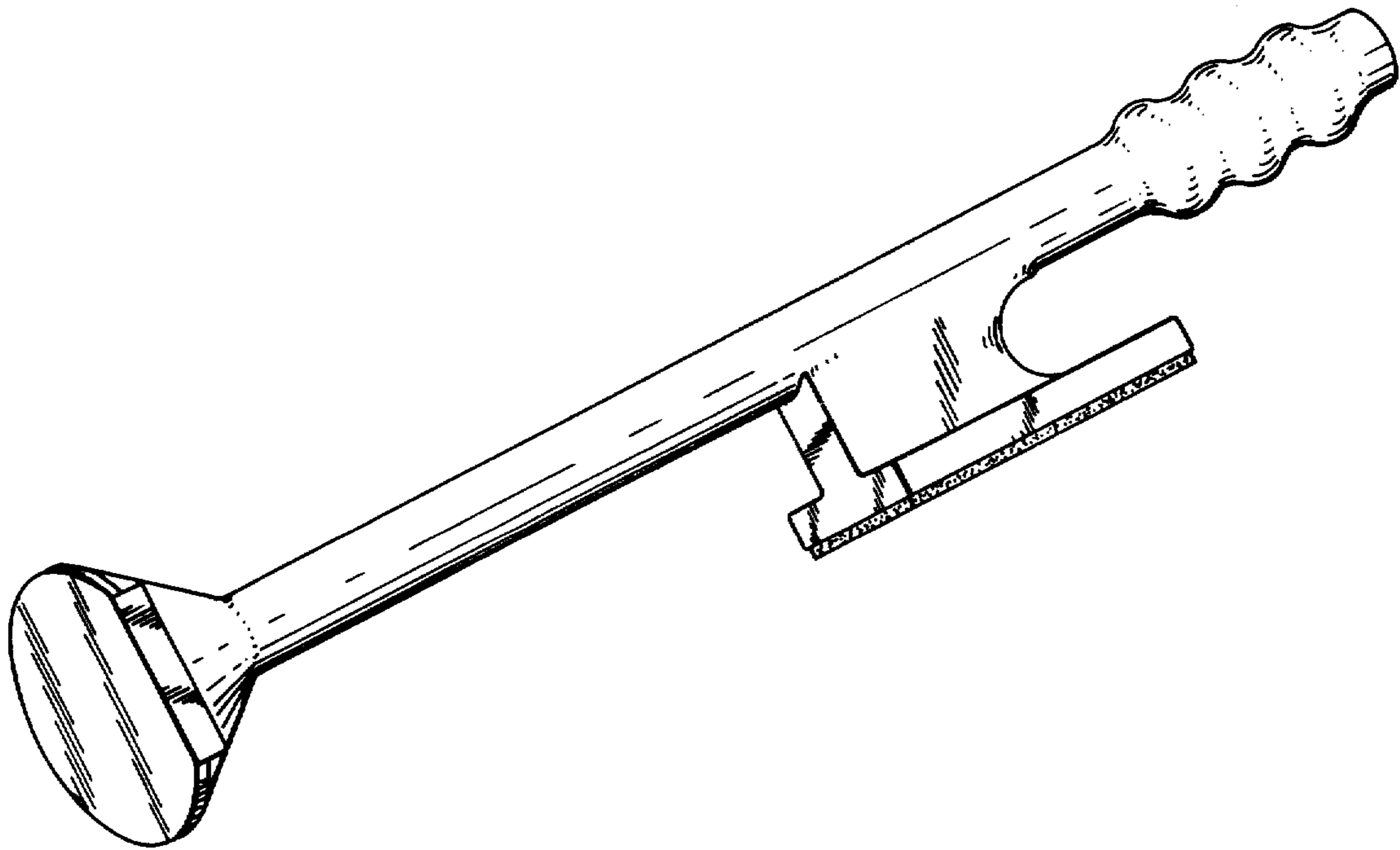
Primary Examiner—James R. Largen
Attorney, Agent, or Firm—Richard F. Bojanowski

[57] CLAIM

The ornamental design for a combined garbage disposal plunger and scraper, shown and described.

DESCRIPTION

FIG. 1 is a perspective view taken from the bottom and front of a combined garbage disposal plunger and scraper showing my new design;
FIG. 2 is a rear elevational view thereof;
FIG. 3 is a left side elevational view thereof;
FIG. 4 is a right side elevational view thereof;
FIG. 5 is a bottom plan view thereof; and
FIG. 6 is a top plan view thereof.



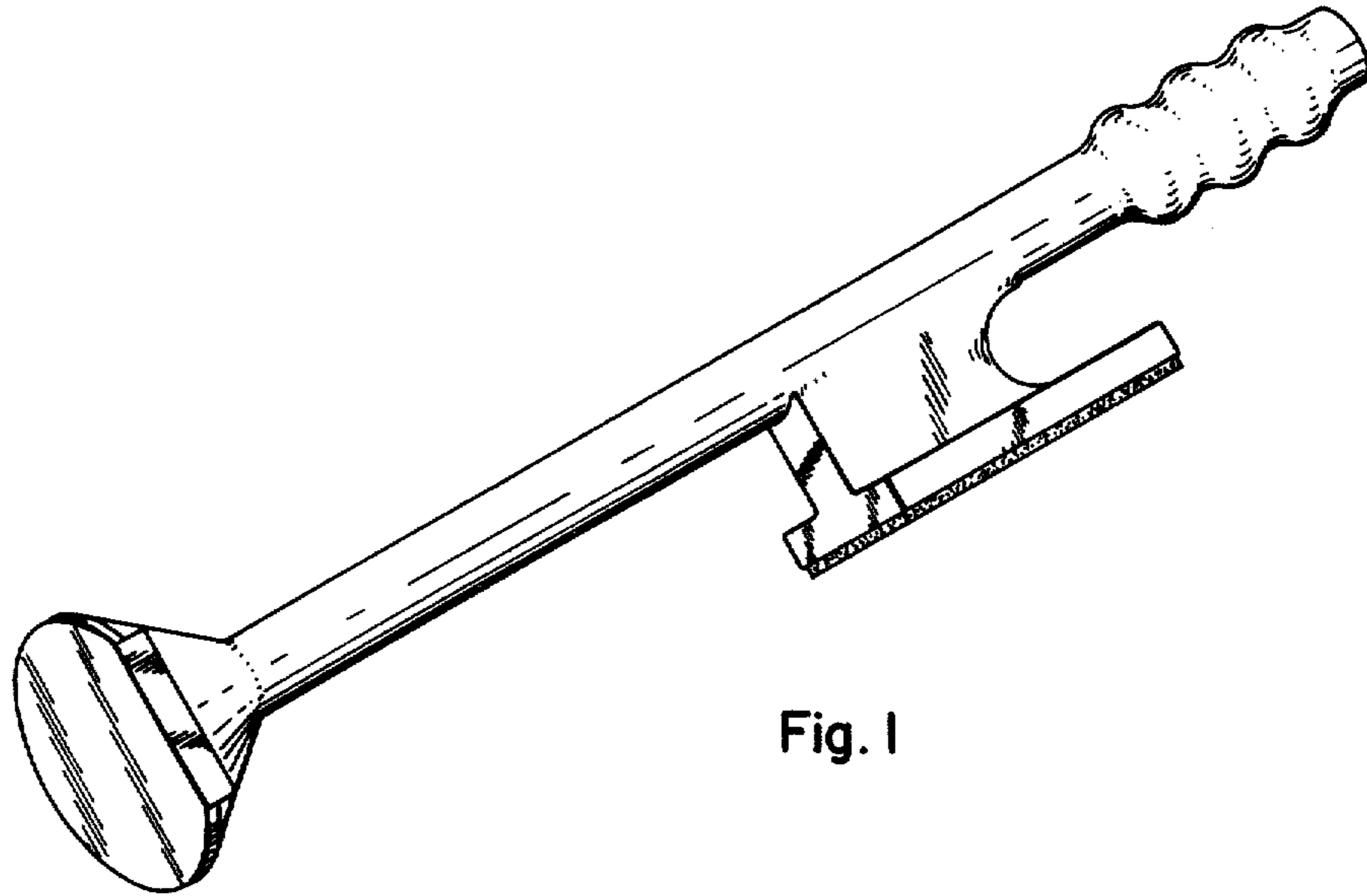


Fig. 1

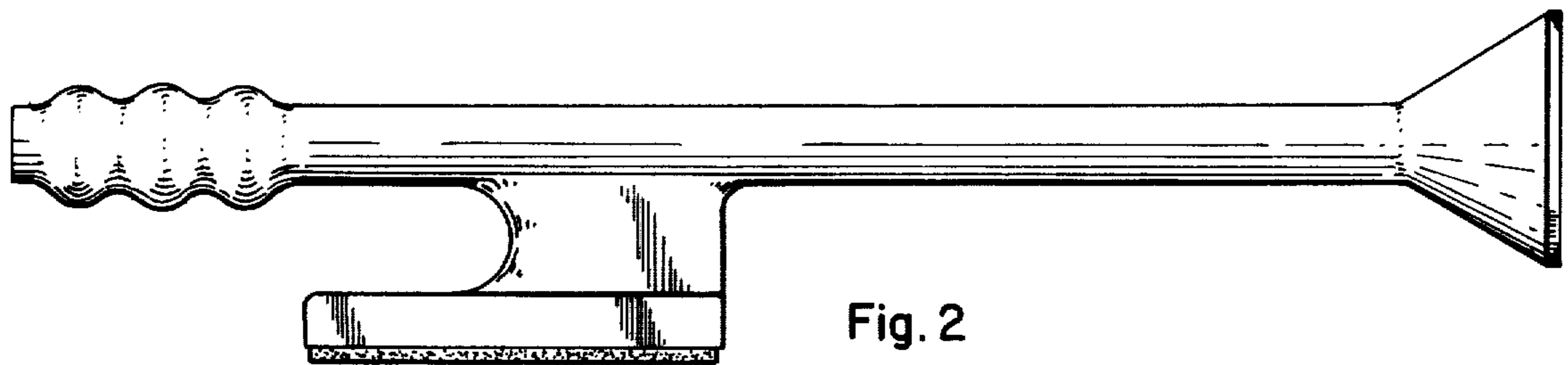


Fig. 2

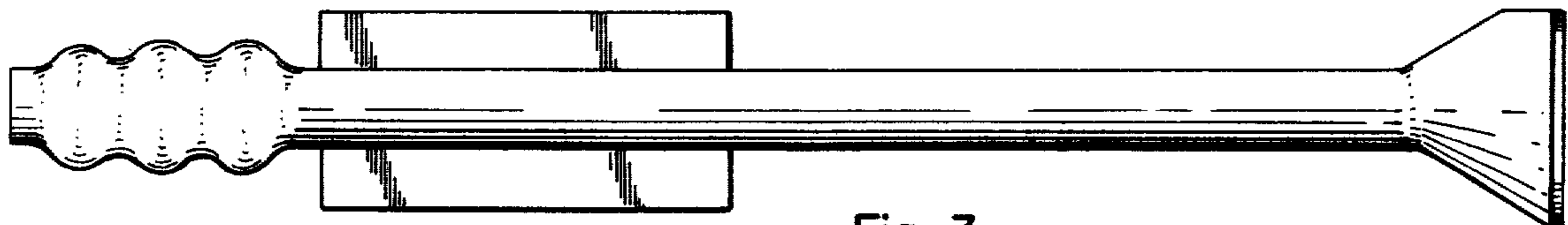


Fig. 3

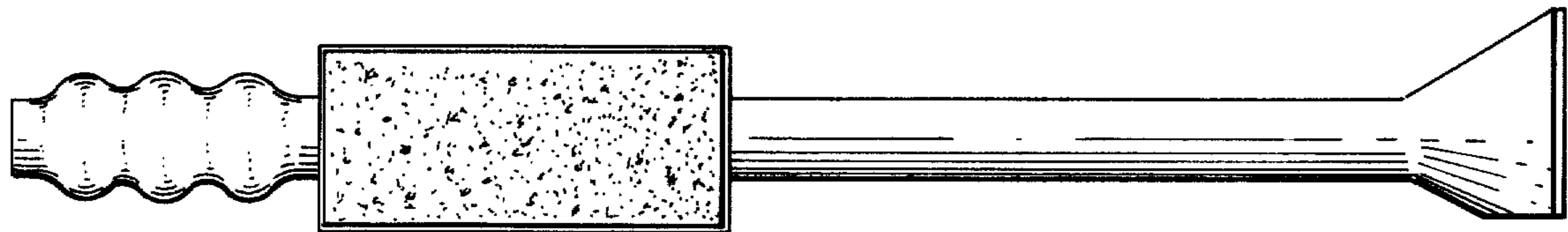


Fig. 4

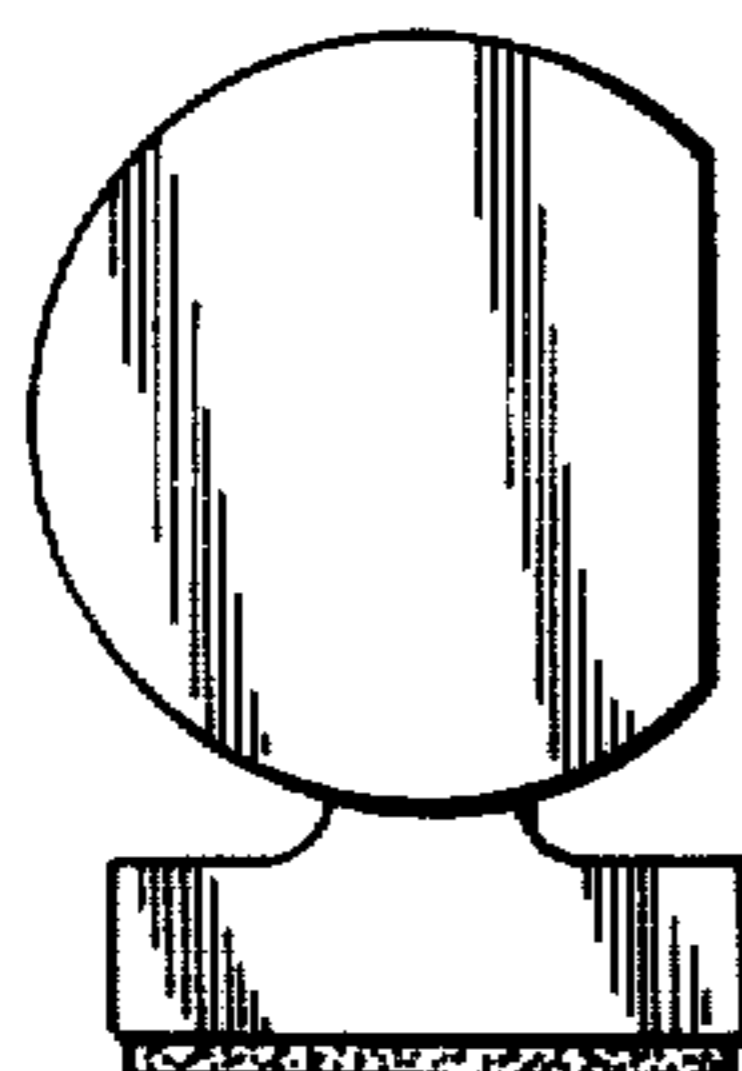


Fig. 5

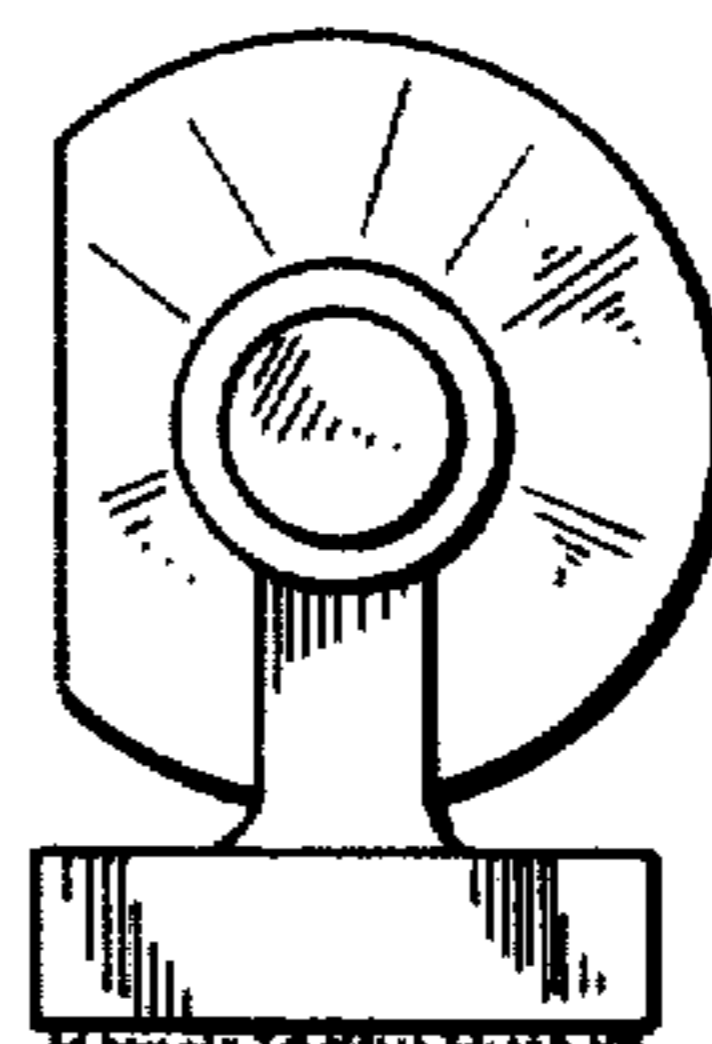


Fig. 6