

[54] RETRACTABLE LEASH FOR DOG COLLARS

[76] Inventor: Daniel T. Deibert, P.O. Box 1553, San Marcos, Calif. 92069

[**] Term: 14 Years

[21] Appl. No.: 232,949

[22] Filed: Feb. 9, 1981

[51] Int. Cl. D30-04

[52] U.S. Cl. D30/39

[58] Field of Search D30/38-40, D30/99; 119/109

[56] References Cited

U.S. PATENT DOCUMENTS

- D. 216,897 3/1970 Meath D30/39
- 3,088,438 5/1963 Oliphant 119/109 X
- 3,198,175 8/1965 Dean 119/109

- 3,315,642 4/1967 Rogers et al. 119/109
- 3,477,410 11/1969 Lettiere 119/109
- 4,197,817 4/1980 Crutchfield 119/109
- 4,328,766 5/1982 Diebert 119/109

Primary Examiner—James R. Largen
Attorney, Agent, or Firm—Henri J. A. Charmasson

[57] CLAIM

The ornamental design for a retractable leash for dog collars, as shown and described.

DESCRIPTION

FIG. 1 is a perspective view of a retractable leash for dog collars showing my new design; FIG. 2 is a front elevational view thereof; FIG. 3 is a left side elevational view thereof; FIG. 4 is a right side elevational view thereof; FIG. 5 is a top plan view thereof; FIG. 6 is a bottom view thereof; and FIG. 7 is a rear elevational view thereof.

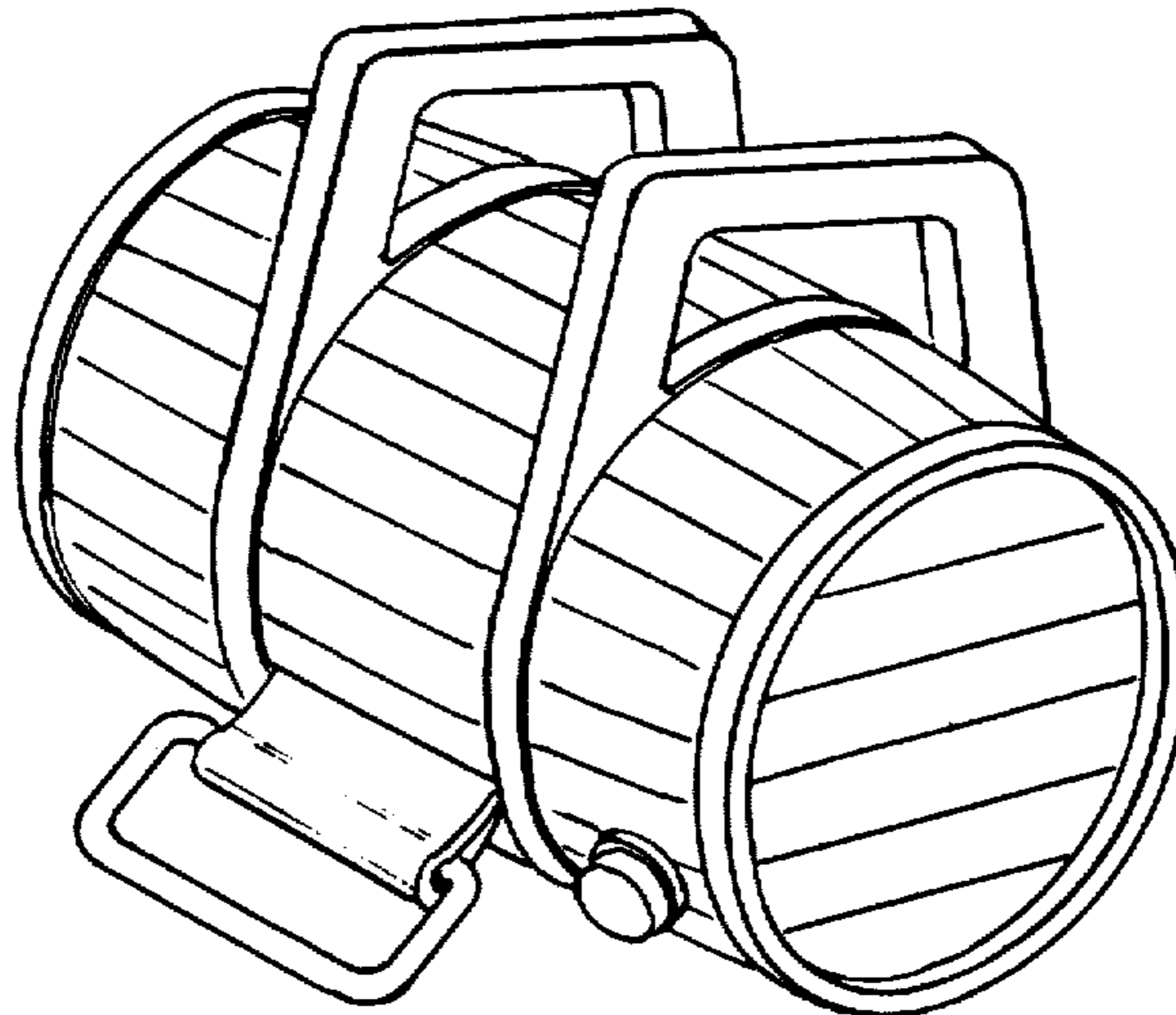


Fig. 1

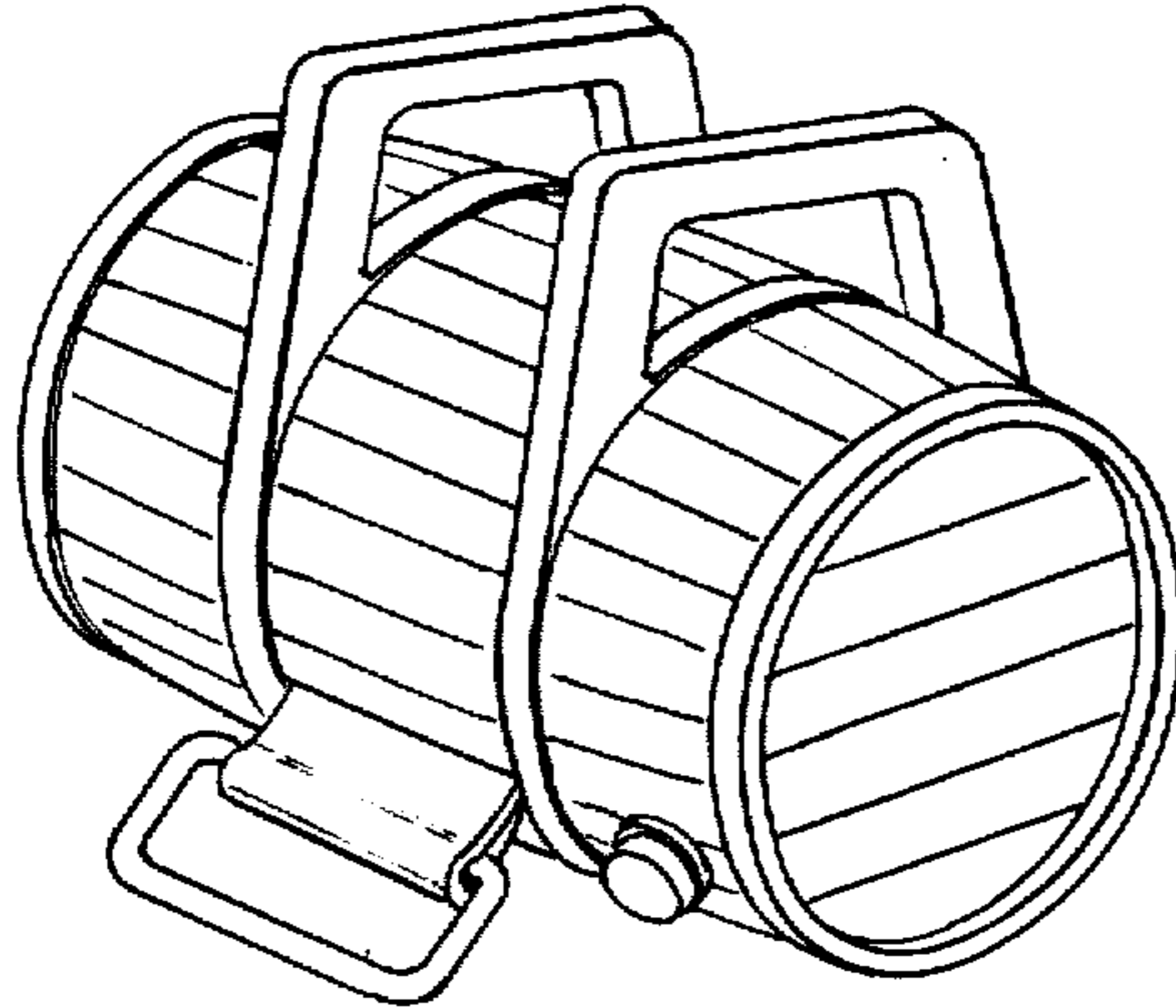


Fig. 3

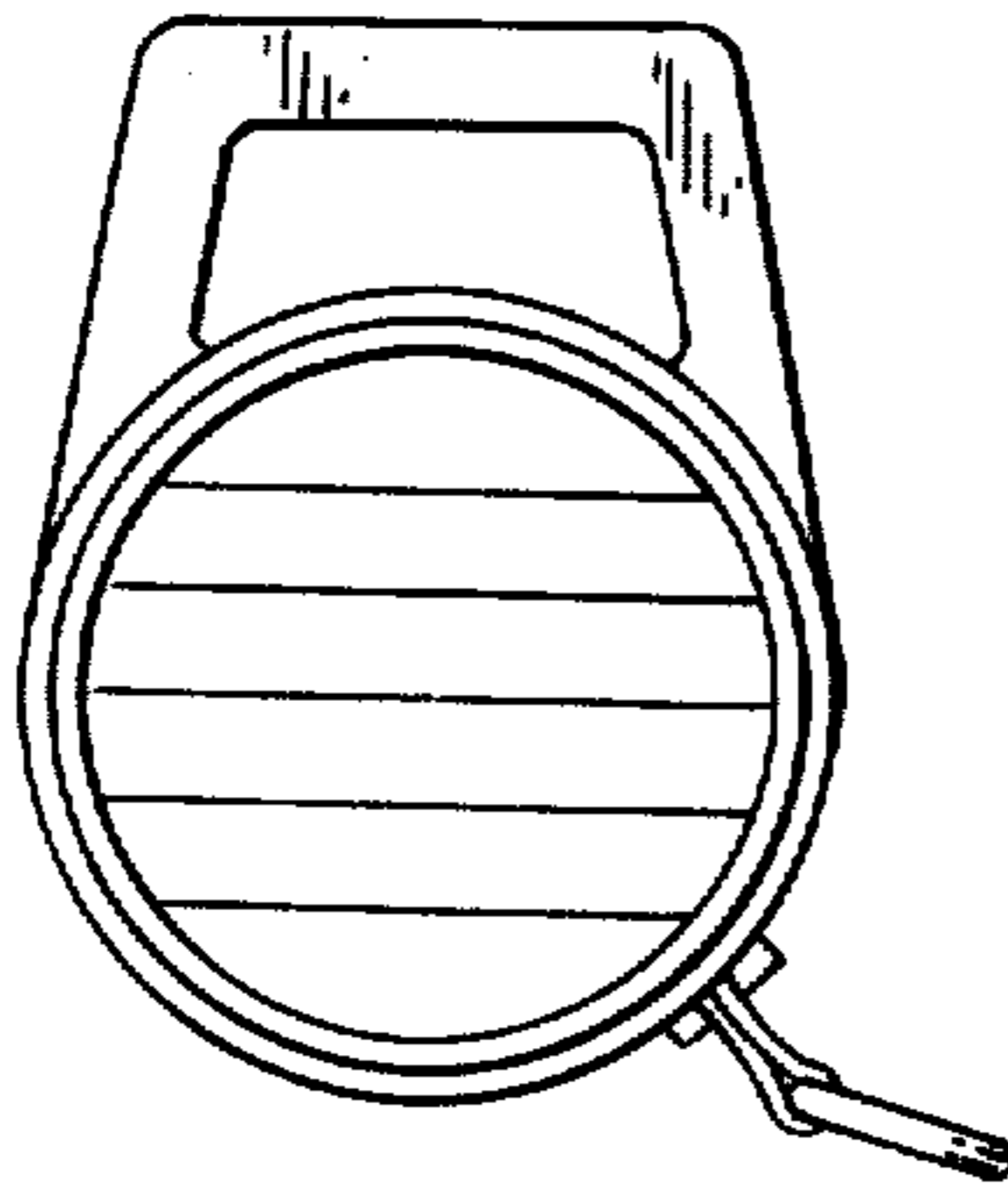


Fig. 2

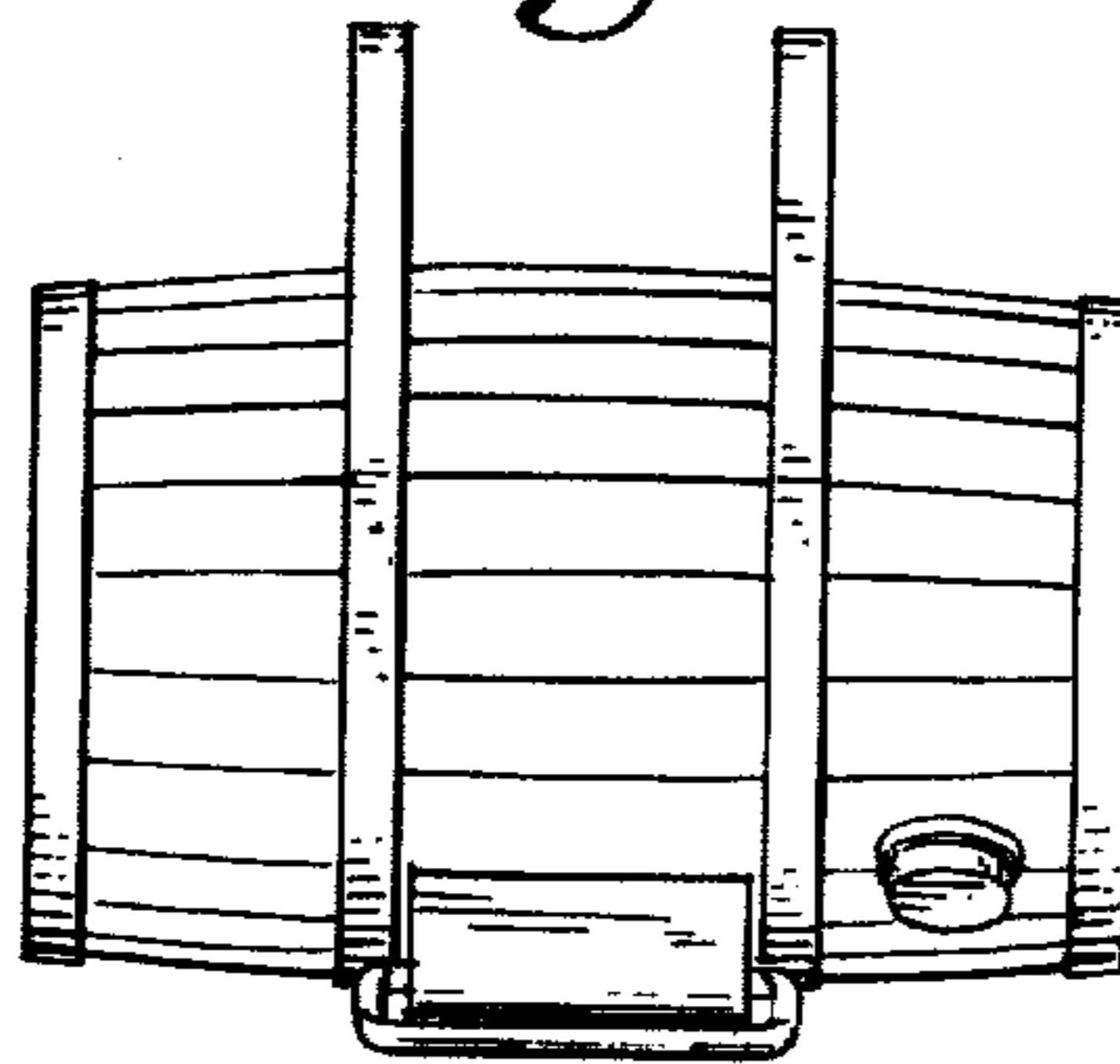


Fig. 4

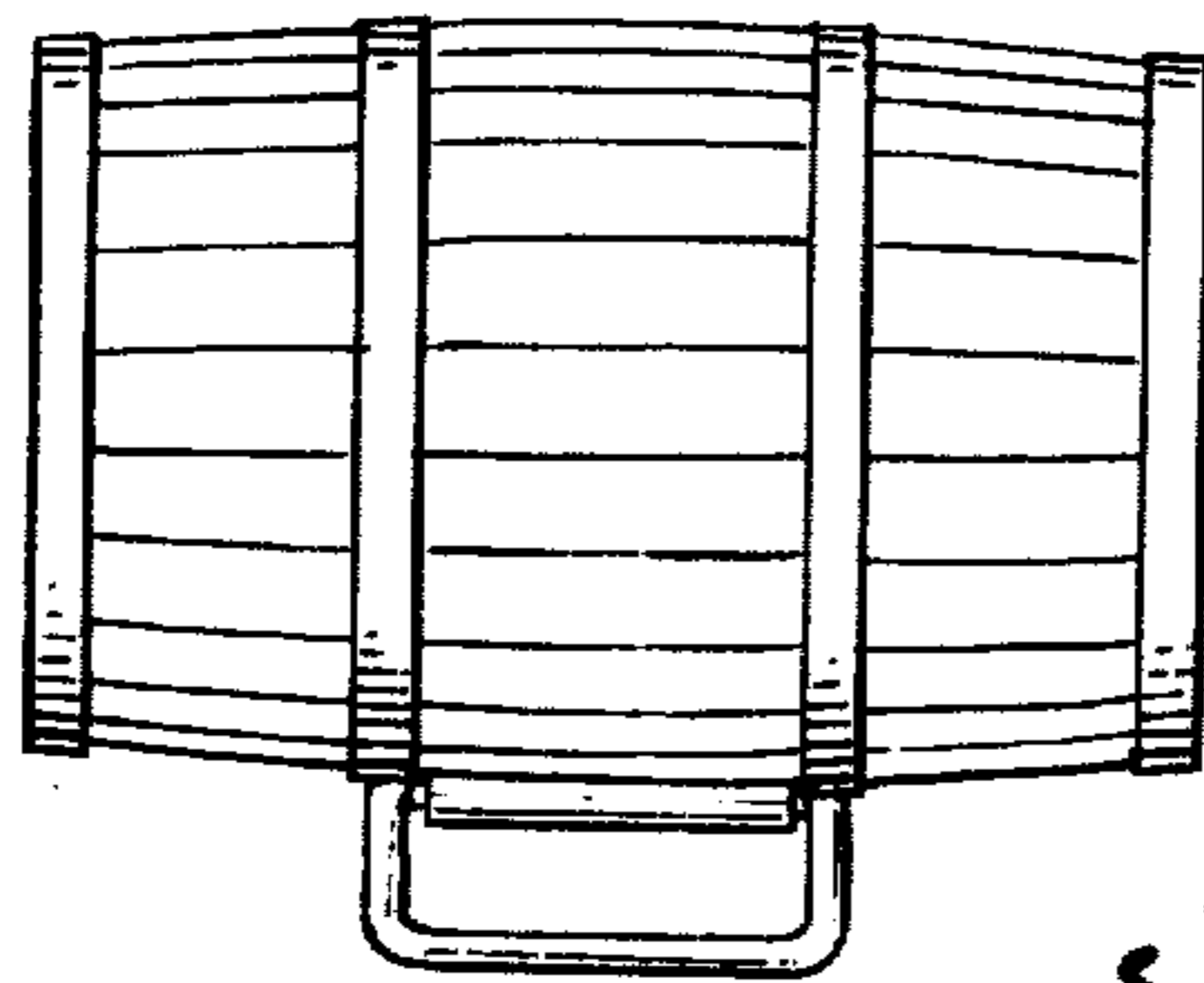
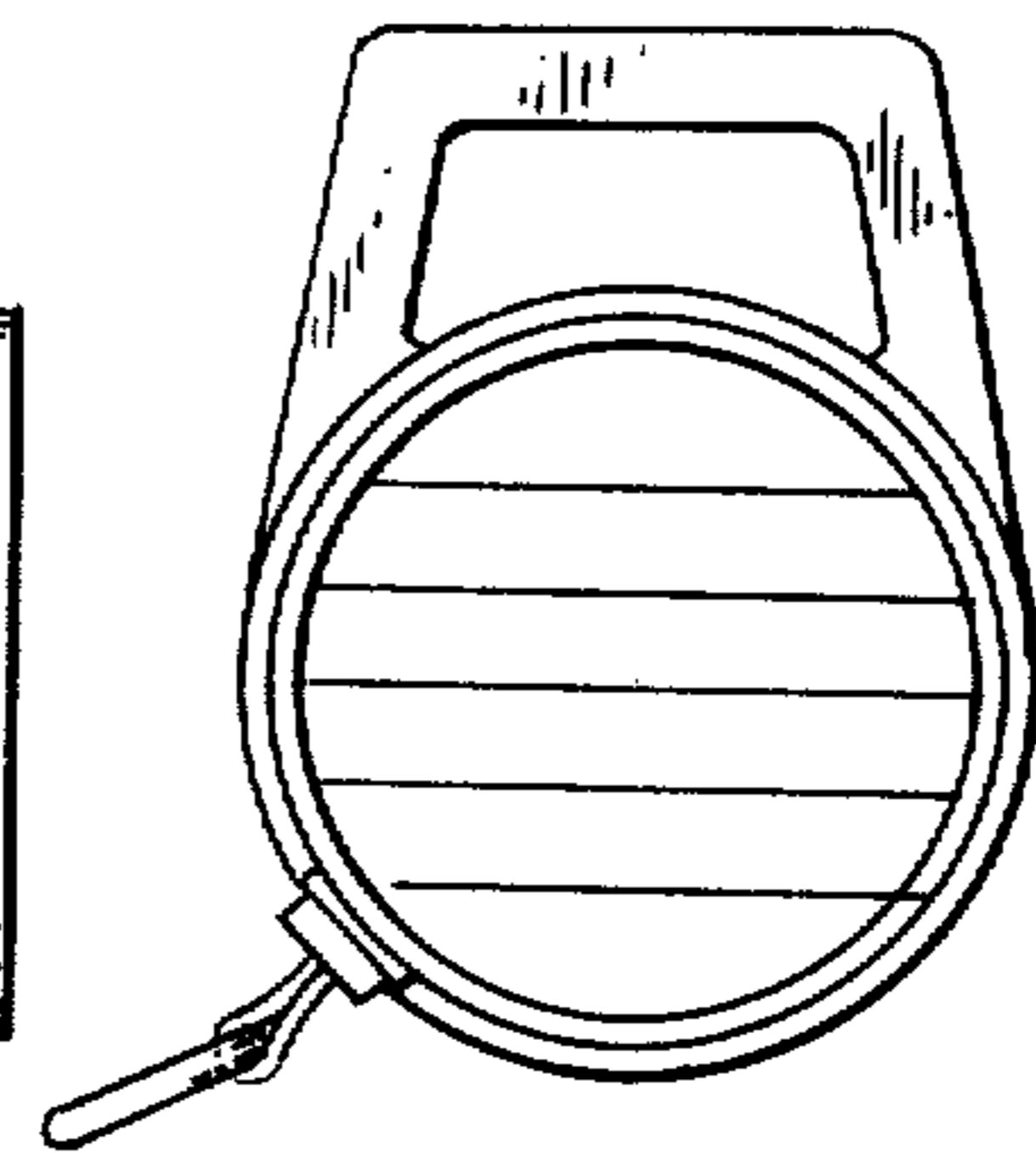


Fig. 5

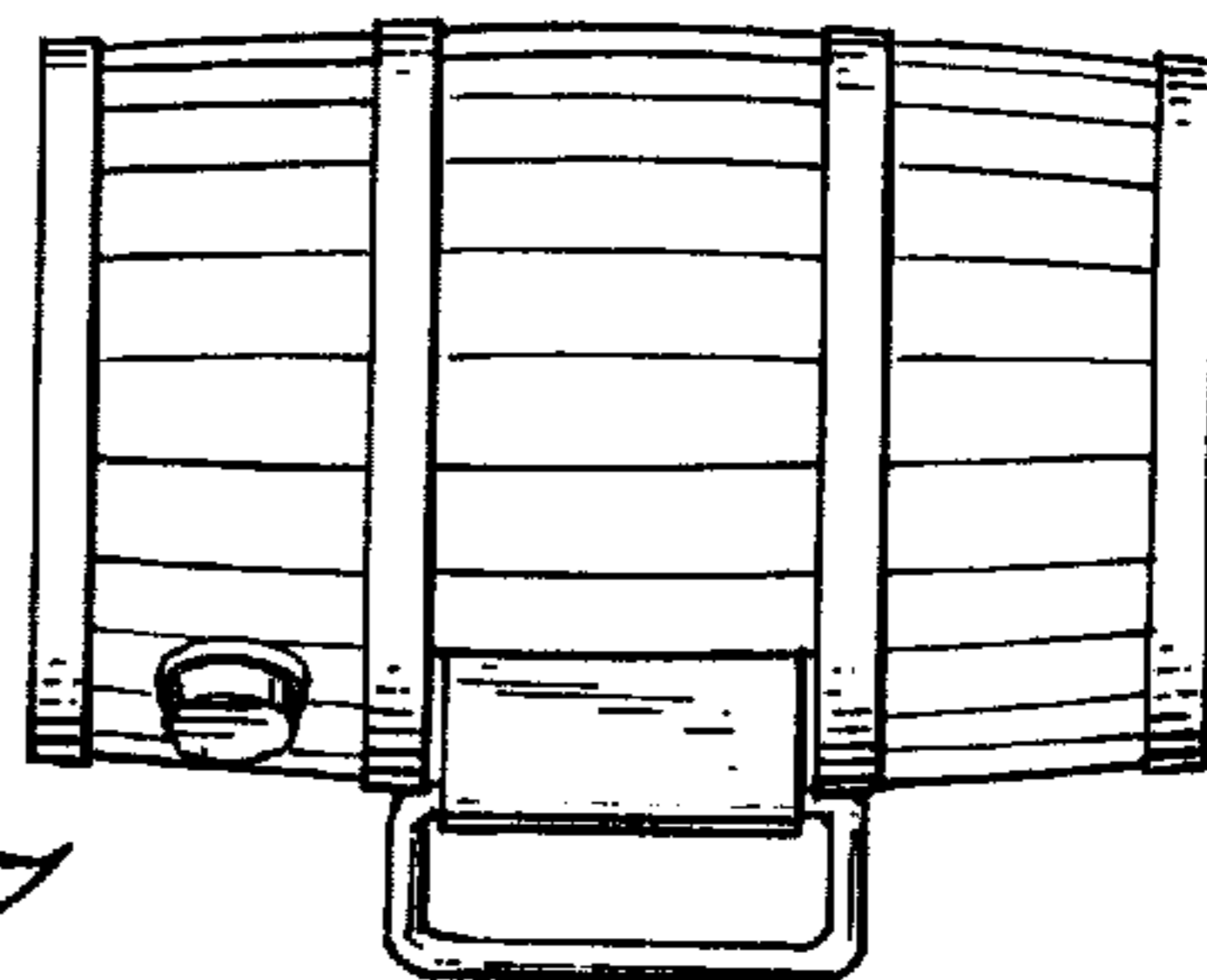


Fig. 6

Fig. 7

