

[54] BIRD SEED FEEDER

[56]

References Cited

U.S. PATENT DOCUMENTS

[76] Inventor: Morton L. Blasbalg, 26 Sandro Dr., Warwick, R.I. 02886

D. 231,369	4/1974	Kilham	D30/14
D. 243,465	2/1977	Greene	D30/14
D. 245,349	8/1977	Fisher, Jr.	D30/15
1,230,780	6/1917	Reiber	119/23
1,329,104	1/1920	Ballin	119/23
3,568,641	3/1971	Kilham	D30/14 X
3,792,685	2/1974	Wiener	D30/3 X

[*] Notice: The portion of the term of this patent subsequent to Apr. 7, 1995, has been disclaimed.

Primary Examiner—James R. Largen
Attorney, Agent, or Firm—Robert J. Doherty

[**] Term: 14 Years

[57] CLAIM

[21] Appl. No.: 949,812

The ornamental design for a bird seed feeder, as shown.

DESCRIPTION

[22] Filed: Oct. 10, 1978

FIG. 1 is a perspective view of a bird seed feeder embodying my new design;
FIG. 2 is a side elevation thereof;
FIG. 3 is a front view thereof;
FIG. 4 is a rear view thereof;
FIG. 5 is a top plan view thereof; and
FIG. 6 is a bottom plan view thereof.

[51] Int. Cl. D30—03

[52] U.S. Cl. D30/15

[58] Field of Search D30/3, 13-18;
119/23, 51 R, 52 R

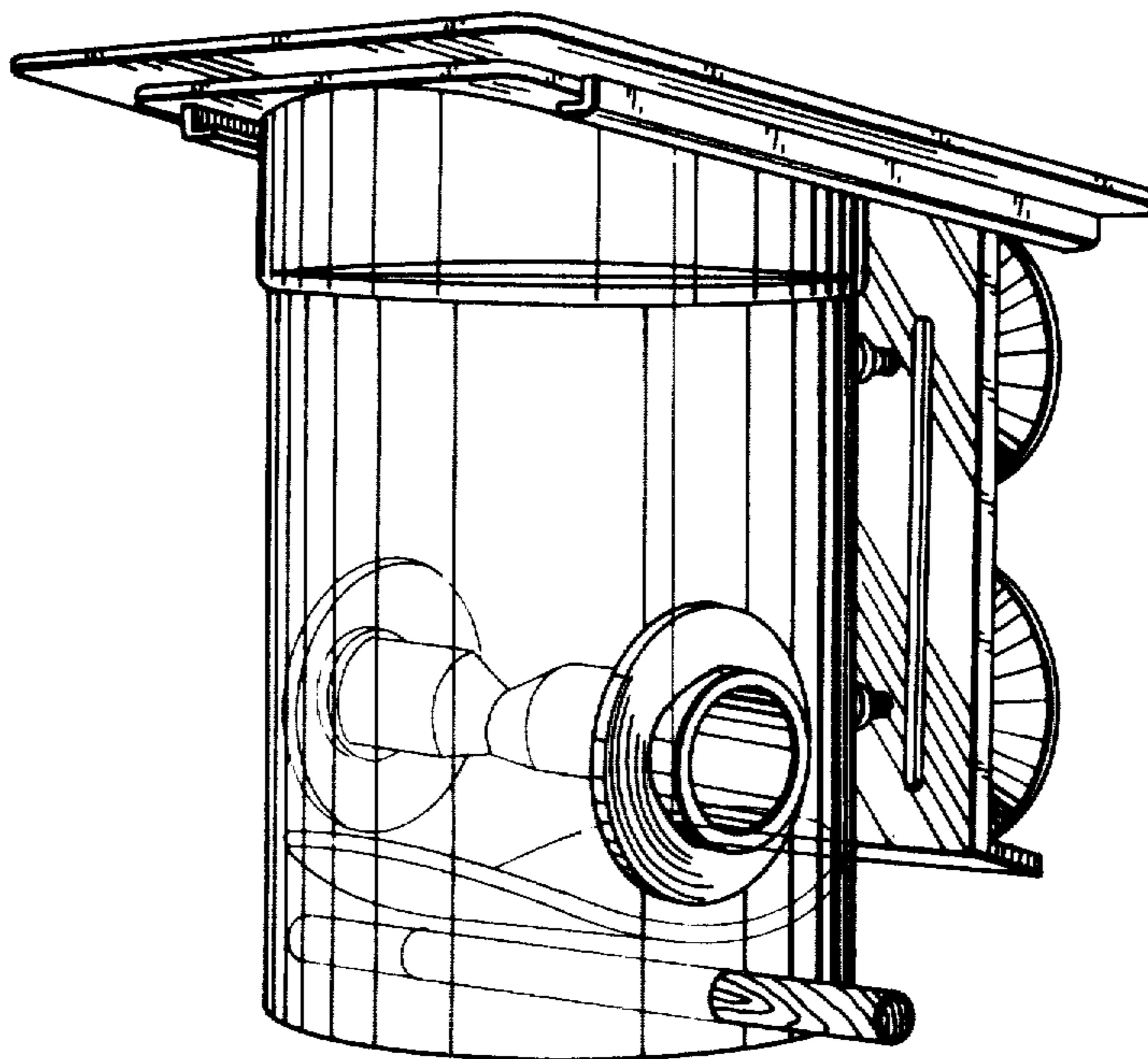


FIG. 1

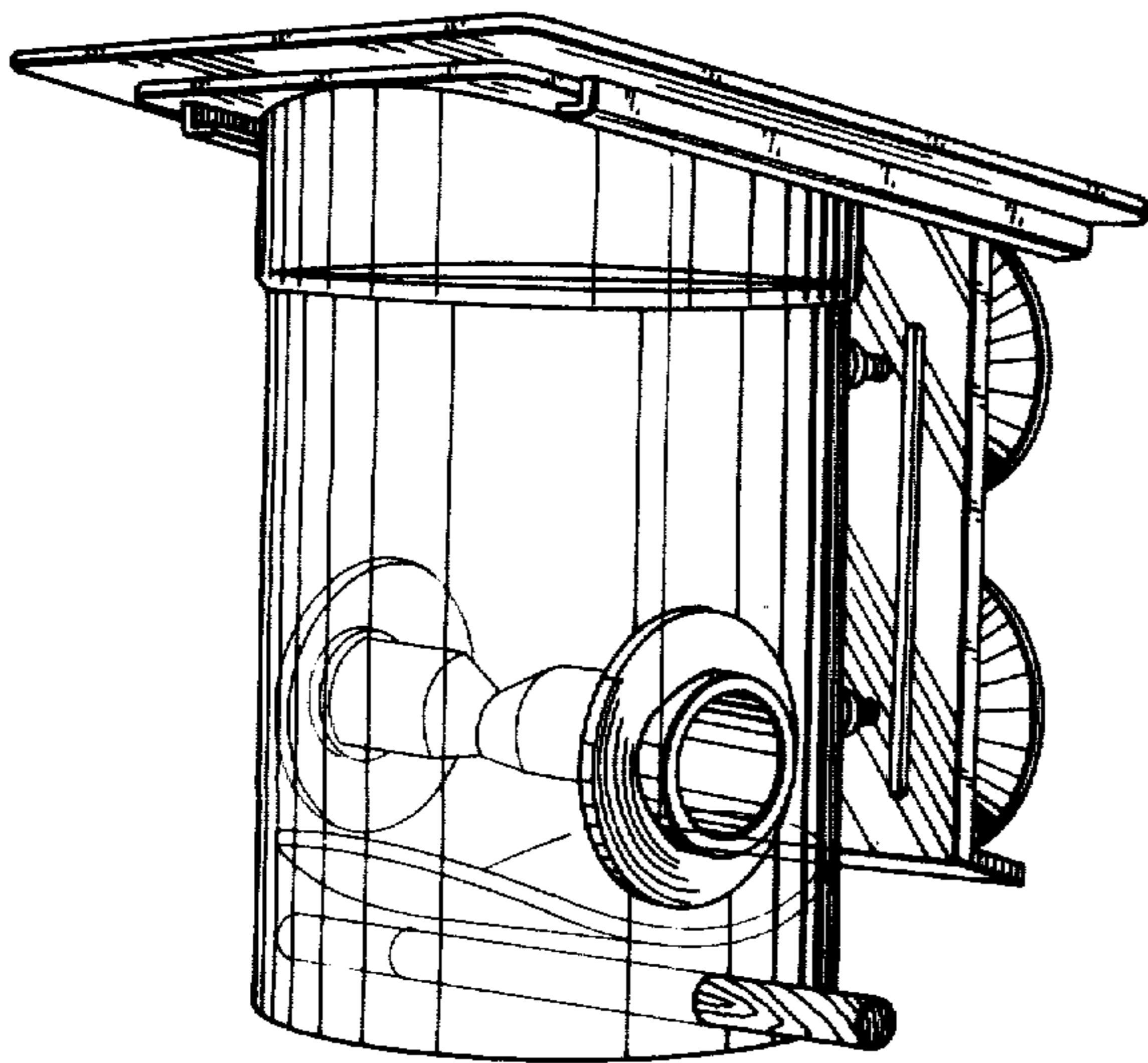


FIG. 2

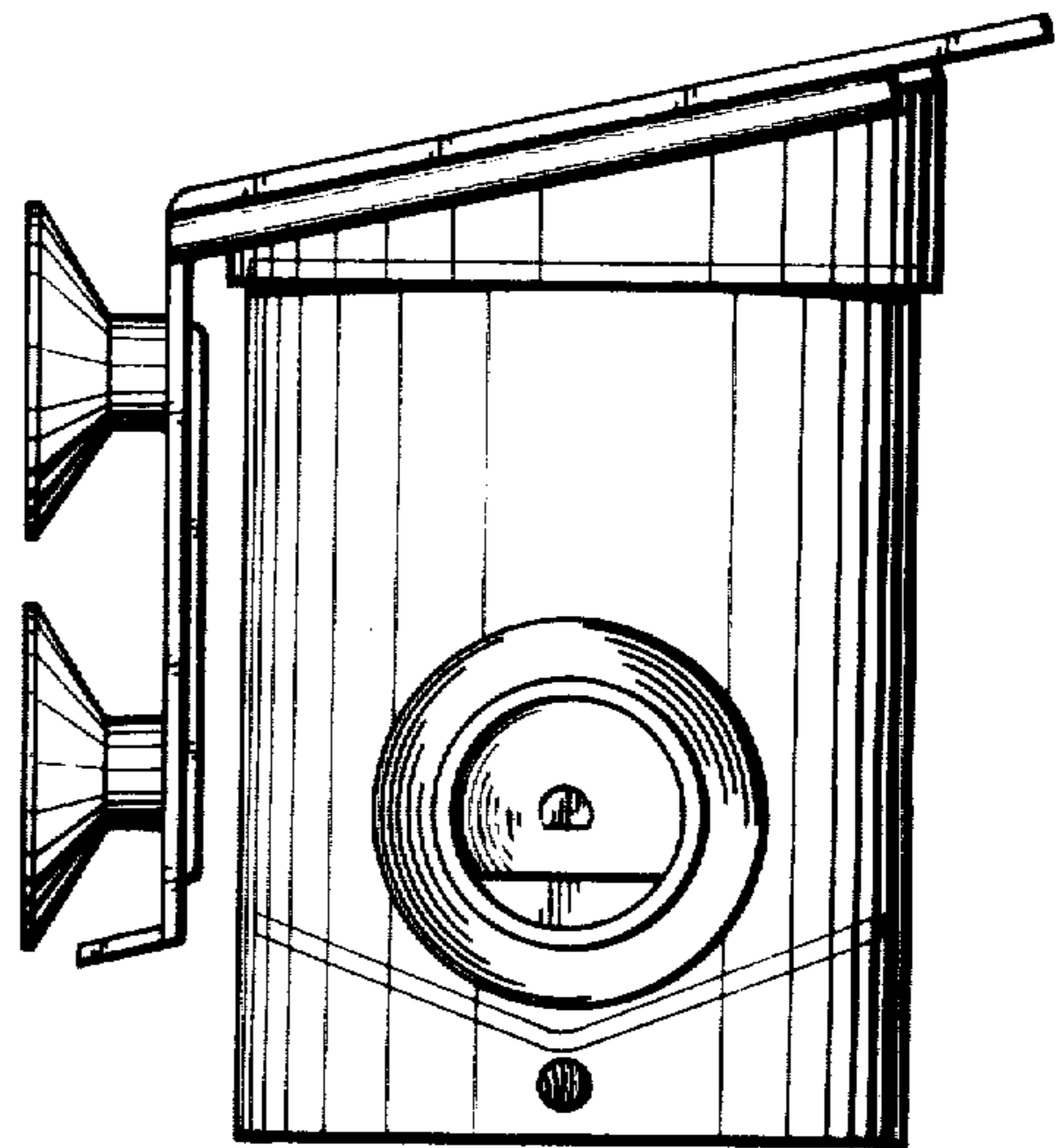


FIG. 3

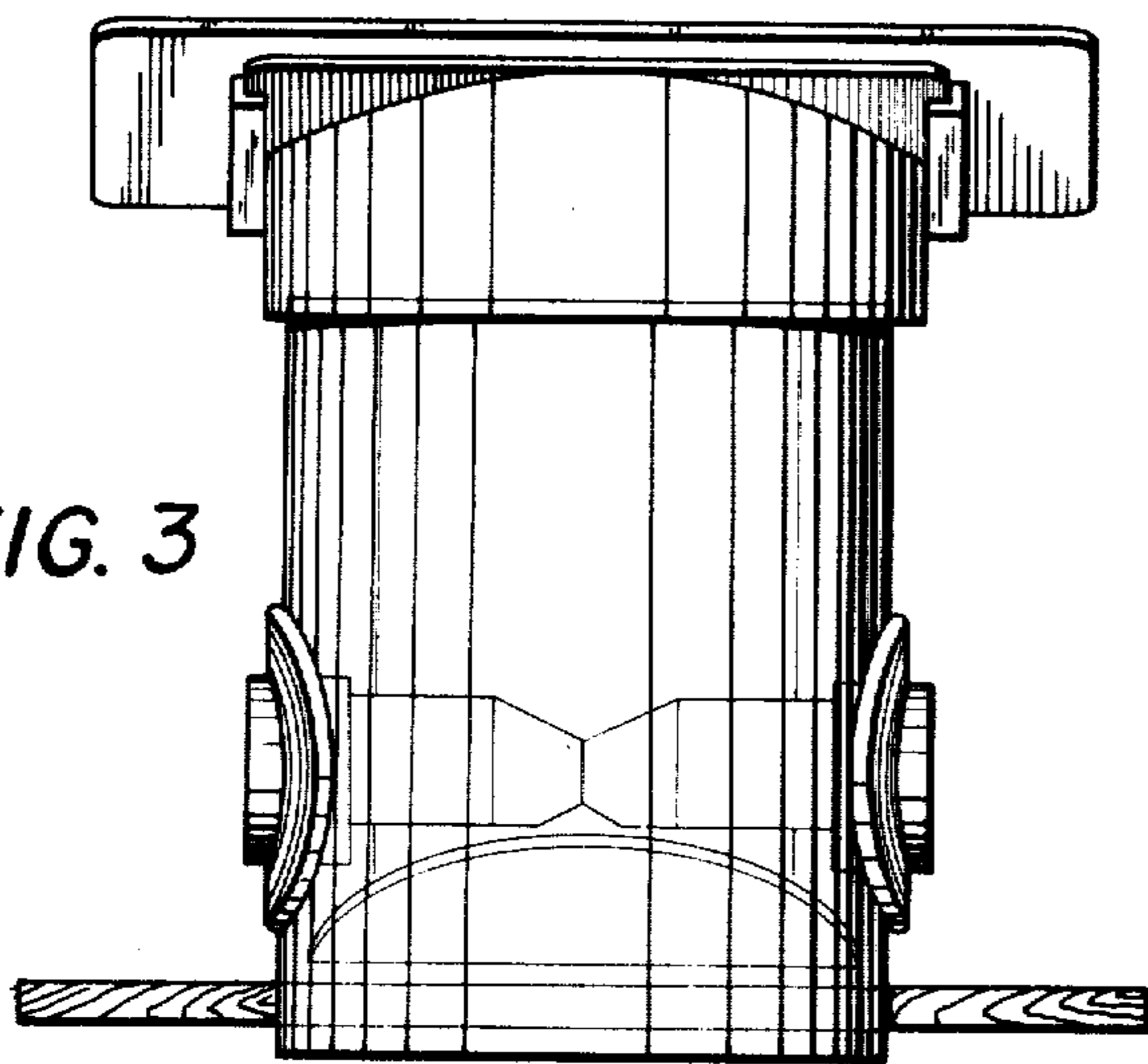


FIG. 4

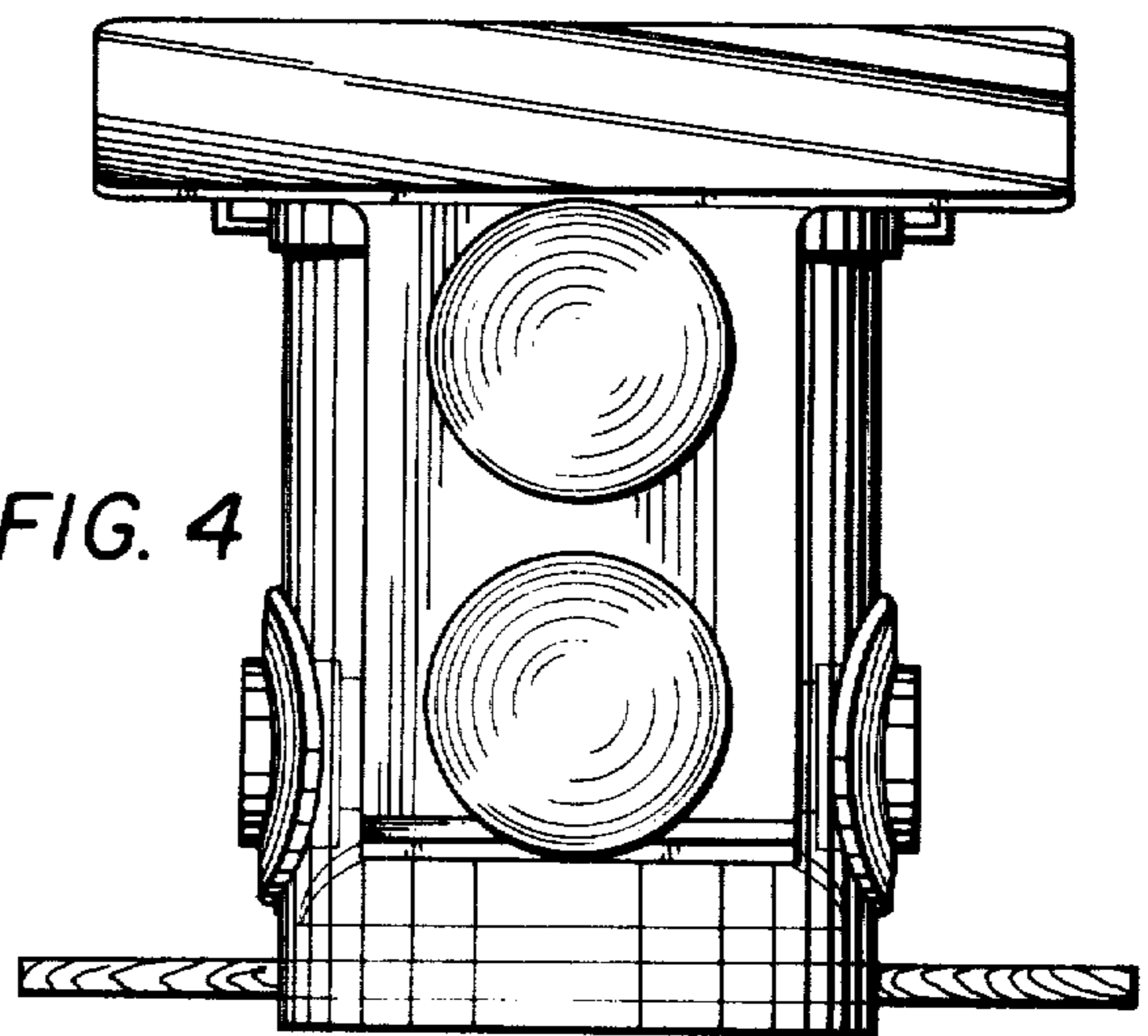


FIG. 5

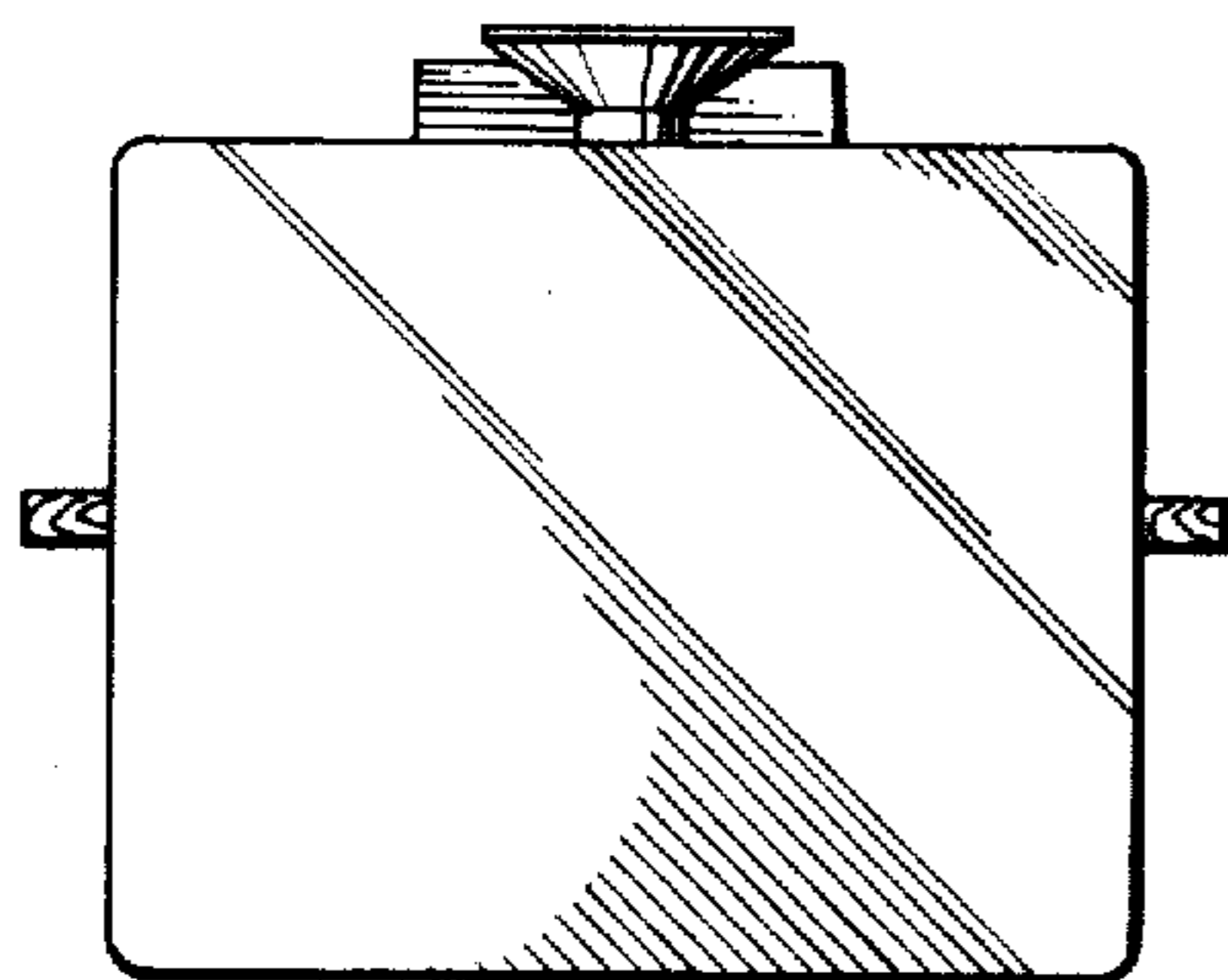


FIG. 6

