

[54] ADJUSTABLE DESK LAMP

[75] Inventor: Samuel Lebowitz, Brooklyn, N.Y.

[73] Assignee: Ketcham & McDougall, Inc.,  
Roseland, N.J.

[\*\*] Term: 14 Years

[21] Appl. No.: 137,500

[22] Filed: Apr. 4, 1980

[51] Int. Cl. .... D26-05

[52] U.S. Cl. .... D26/65; D26/60

[58] Field of Search .... D26/60, 61, 63, 64,  
D26/65, 93, 118, 125; 362/410, 411, 412, 413,  
414, 395, 427, 806

[56] References Cited

U.S. PATENT DOCUMENTS

D. 176,549 1/1956 Mugnai ..... D26/65  
D. 236,650 9/1975 Ritter, Jr. .... D26/60

FOREIGN PATENT DOCUMENTS

771441 7/1934 France ..... 362/427  
1483887 5/1967 France ..... 362/410

OTHER PUBLICATIONS

Abatare, 12-1978, p. 65, Carlo Moretti Desk Lamp.

Primary Examiner—Susan J. Lucas

Attorney, Agent, or Firm—Darby & Darby

[57] CLAIM

The ornamental design for an adjustable desk lamp, as shown and described.

DESCRIPTION

FIG. 1 is a perspective view of an adjustable desk lamp showing my new design;

FIG. 2 is a side elevational view thereof on an enlarged scale;

FIG. 3 is a front elevational view thereof on an enlarged scale;

FIG. 4 is a rear elevational view thereof on an enlarged scale;

FIG. 5 is a top plan view thereof on an enlarged scale;

FIG. 6 is a bottom plan view thereof on an enlarged scale;

FIG. 7 is a side elevational view of a second embodiment of an adjustable desk lamp showing my new design;

FIG. 8 is a front elevational view of the second embodiment;

FIG. 9 is a rear elevational view of the second embodiment;

FIG. 10 is a top plan view of the second embodiment; and

FIG. 11 is a bottom plan view of the second embodiment.

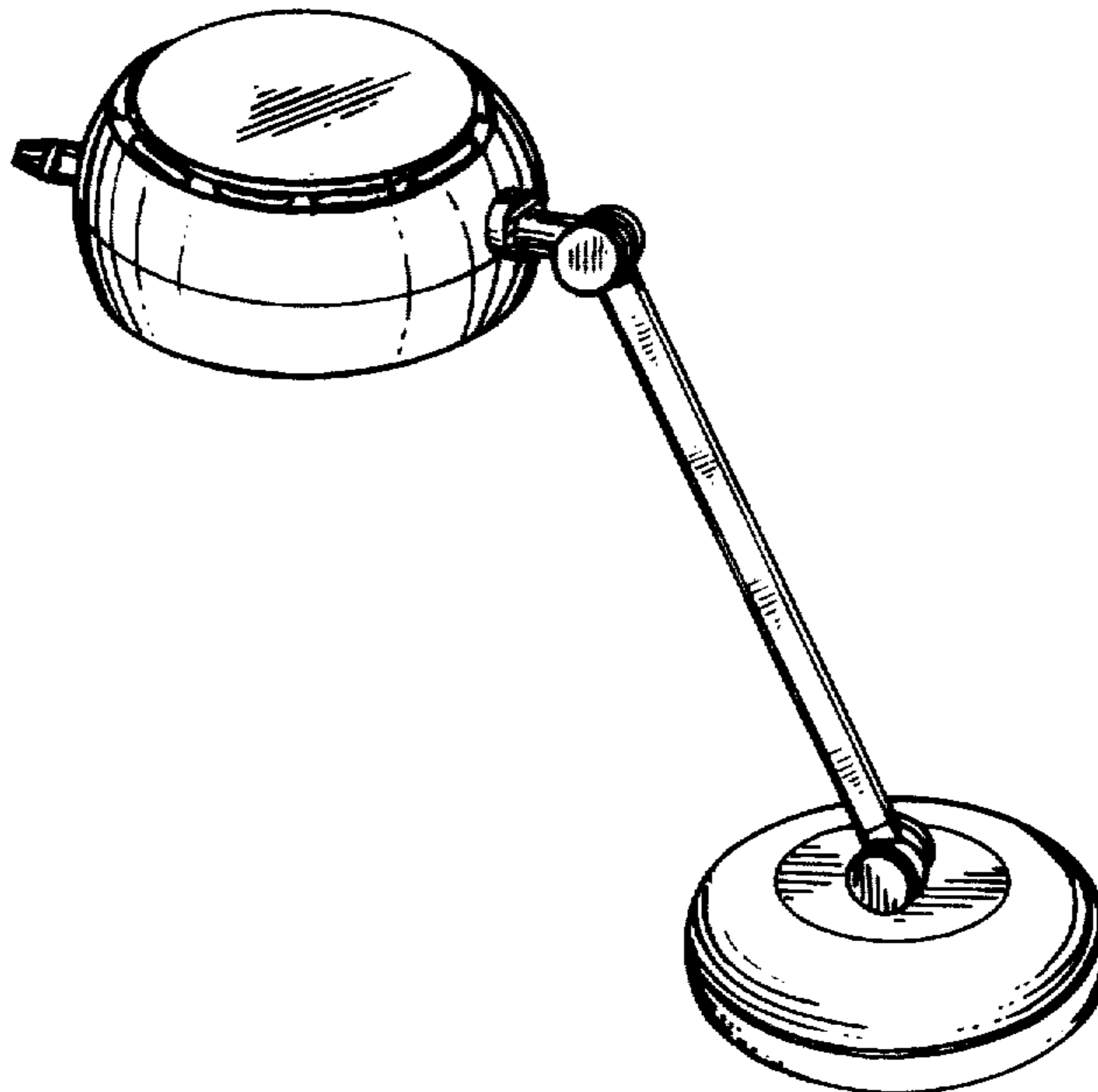


FIG. 1

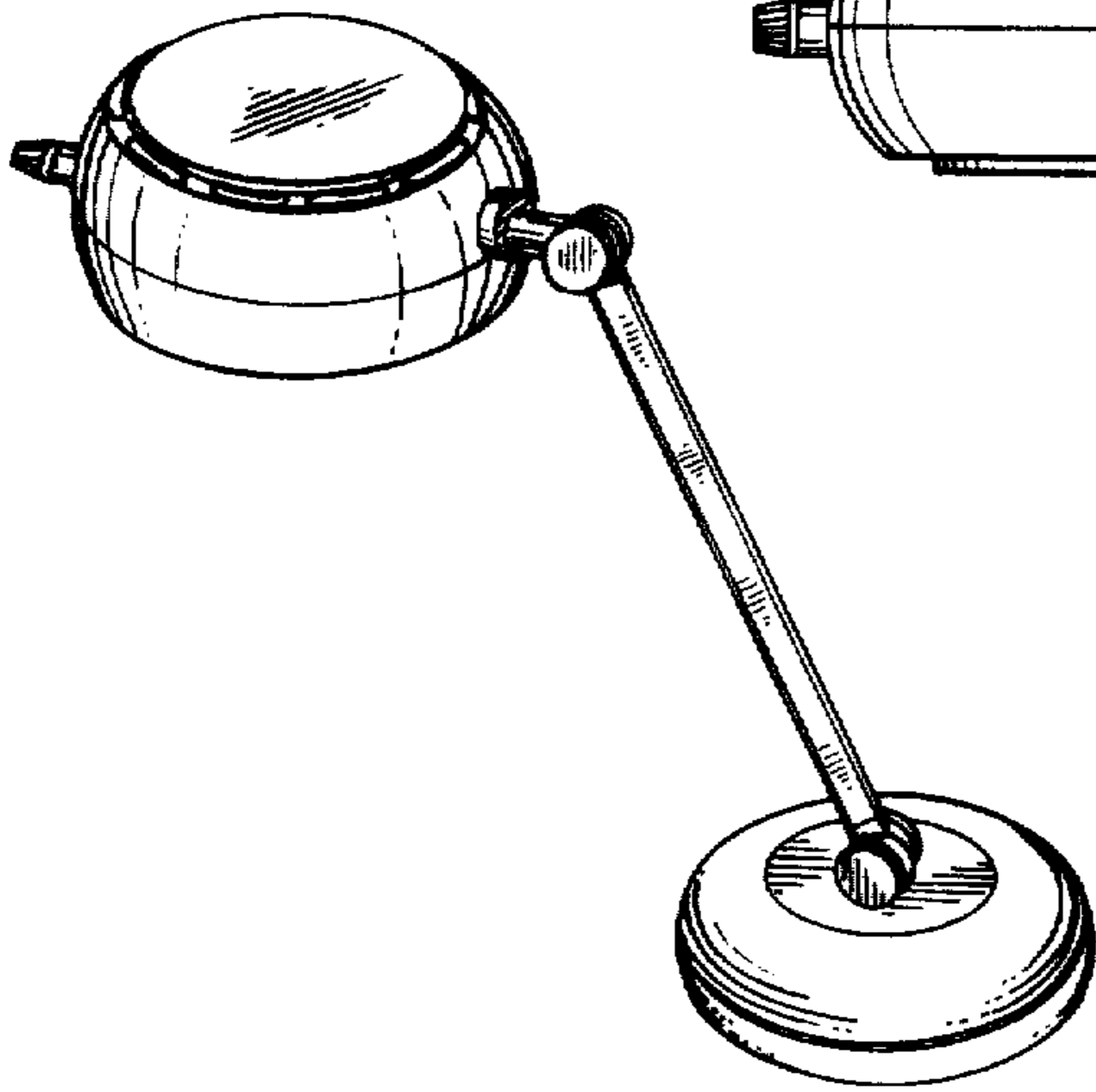


FIG. 2

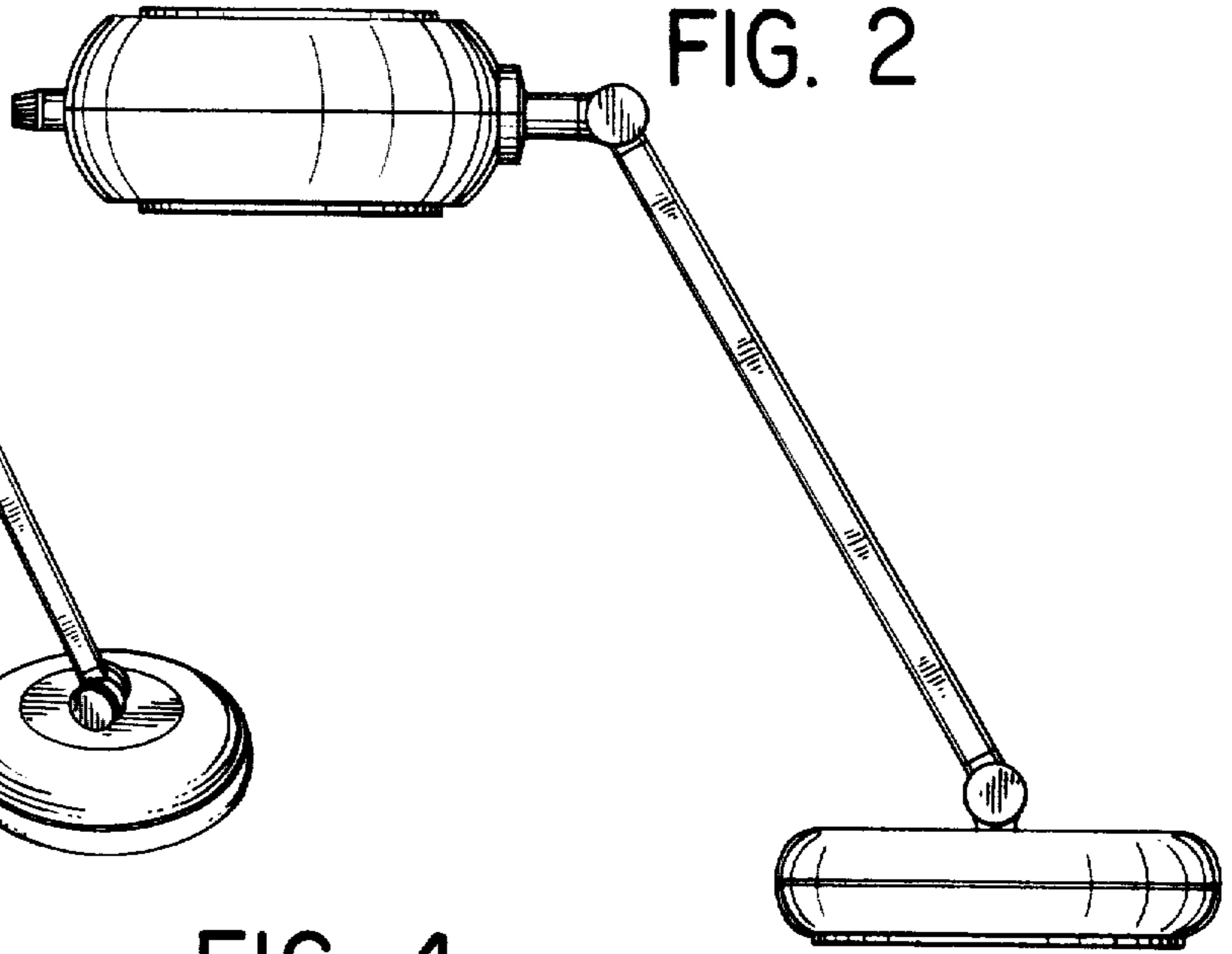


FIG. 3

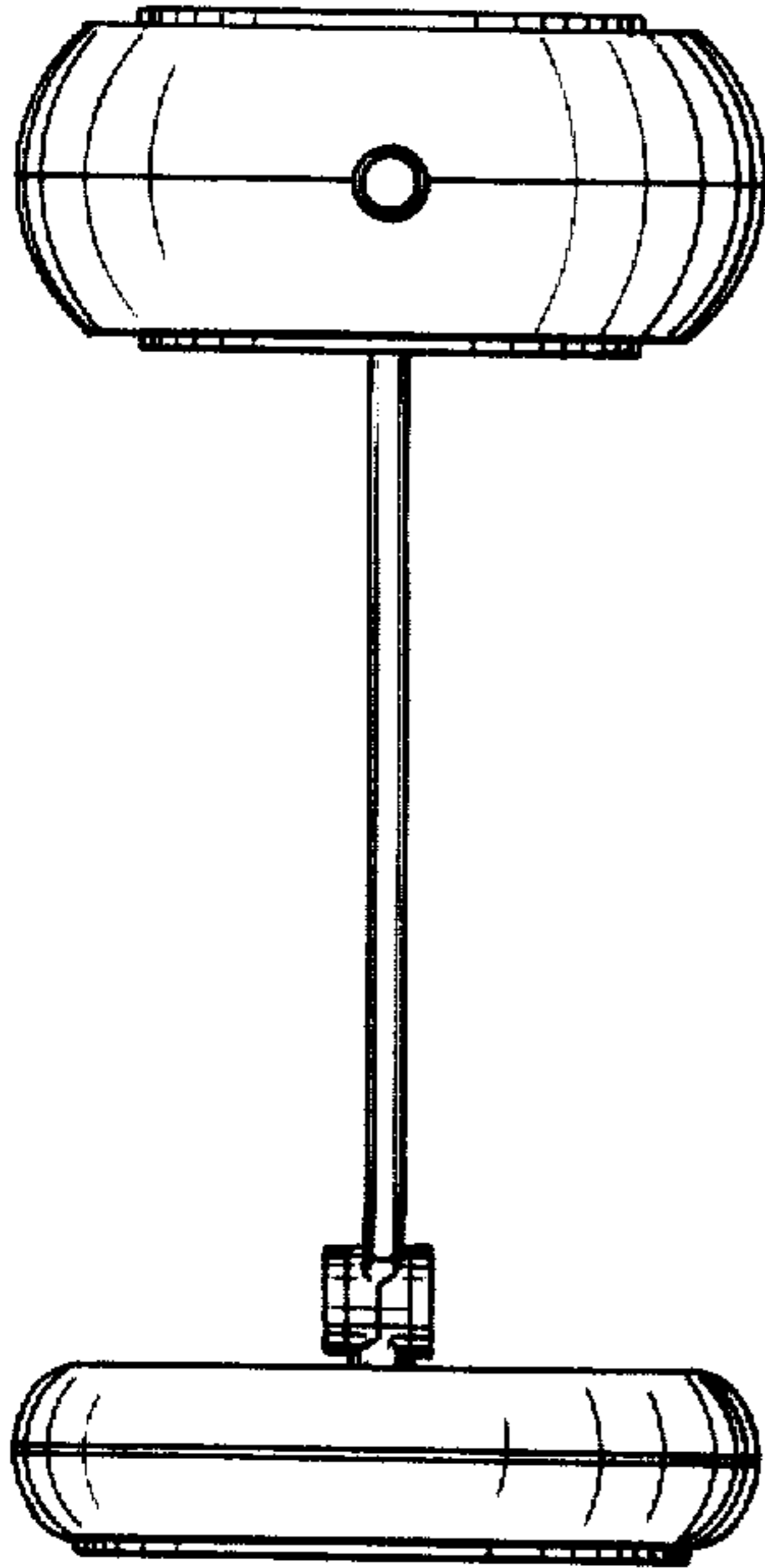


FIG. 4

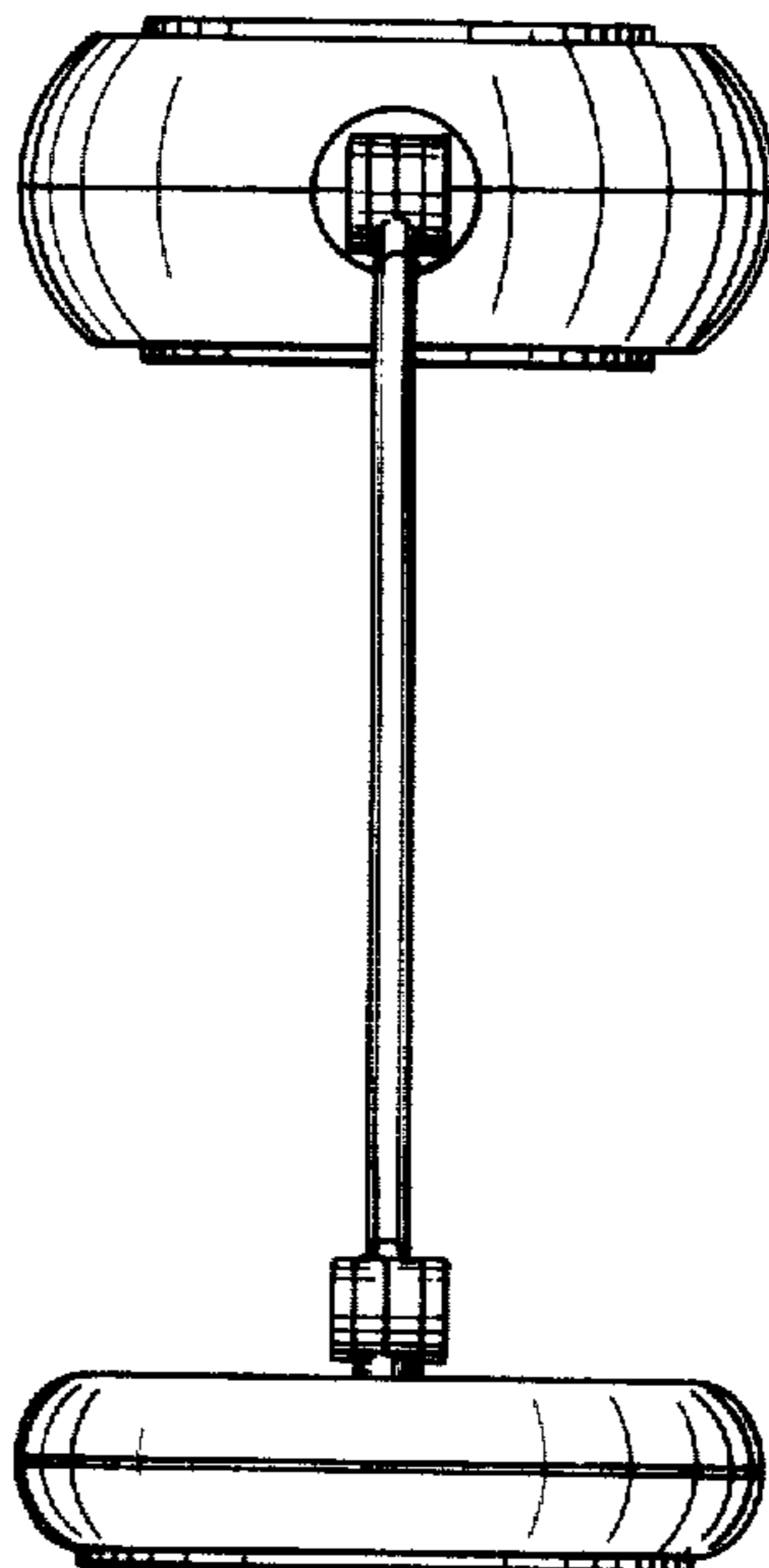


FIG. 5

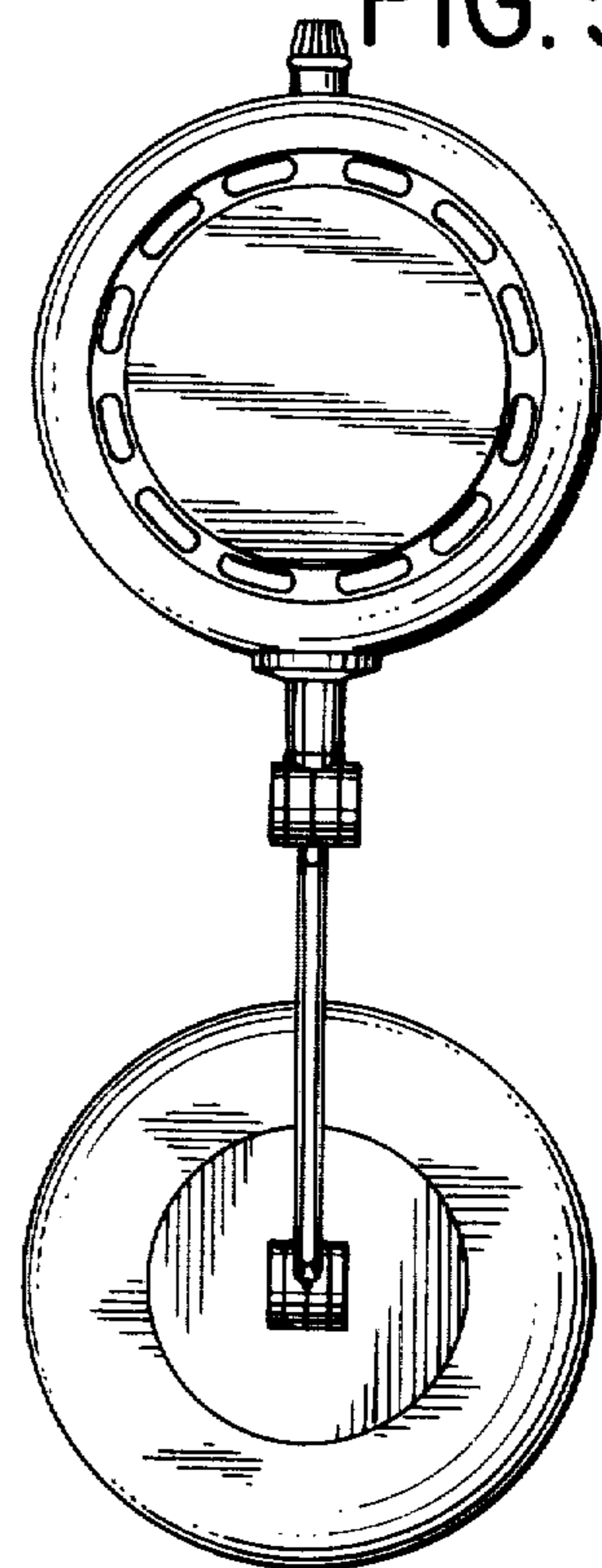


FIG. 6

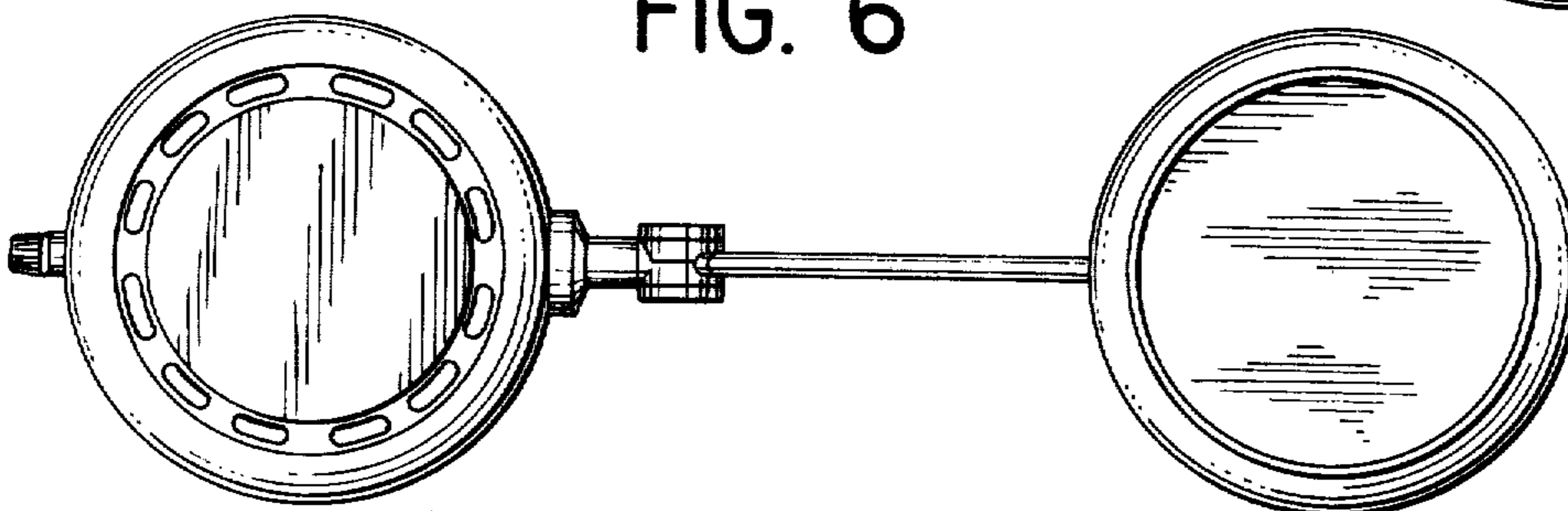


FIG. 7

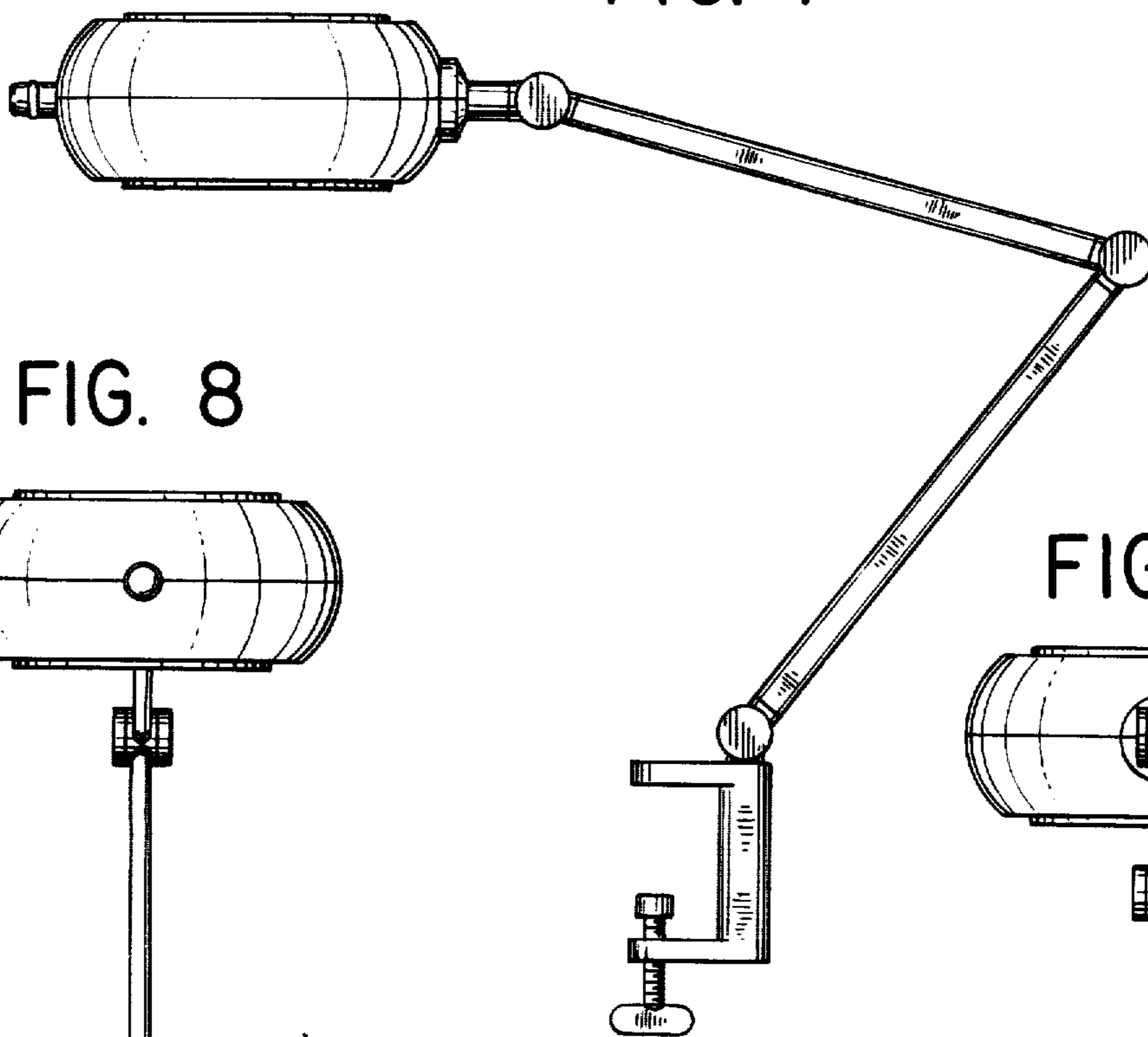


FIG. 8

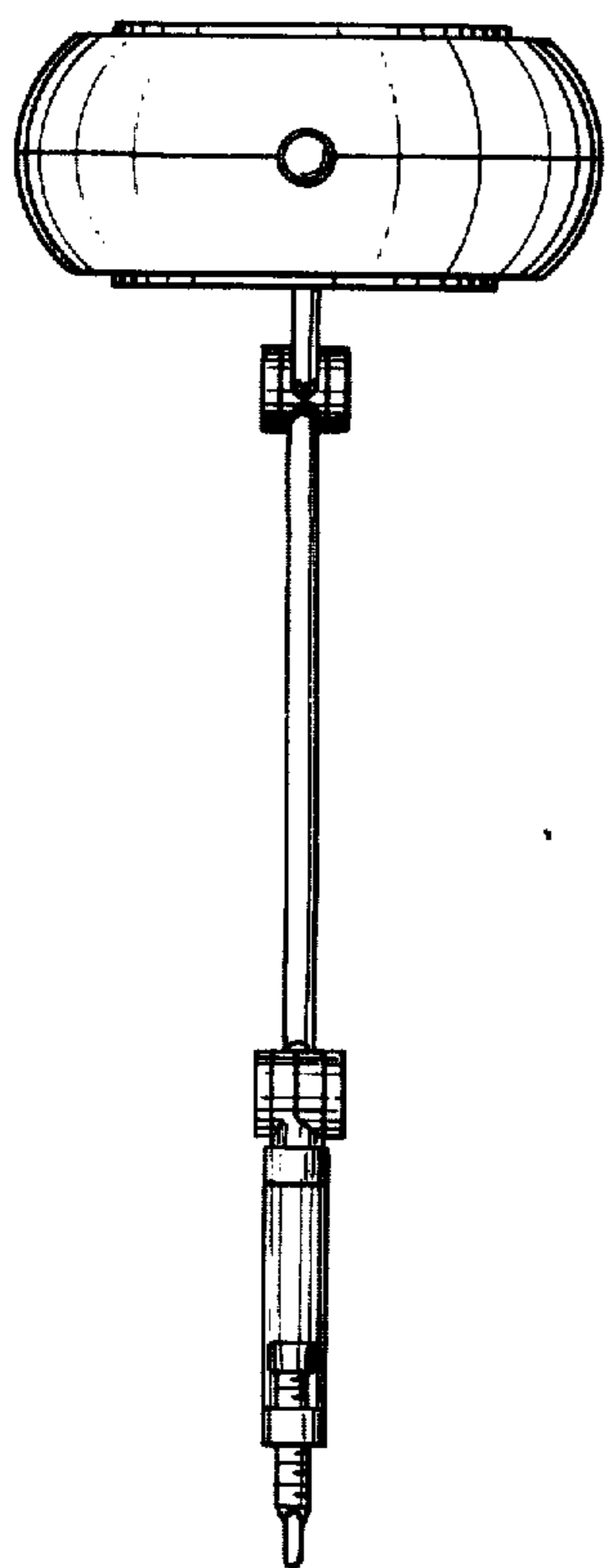


FIG. 9

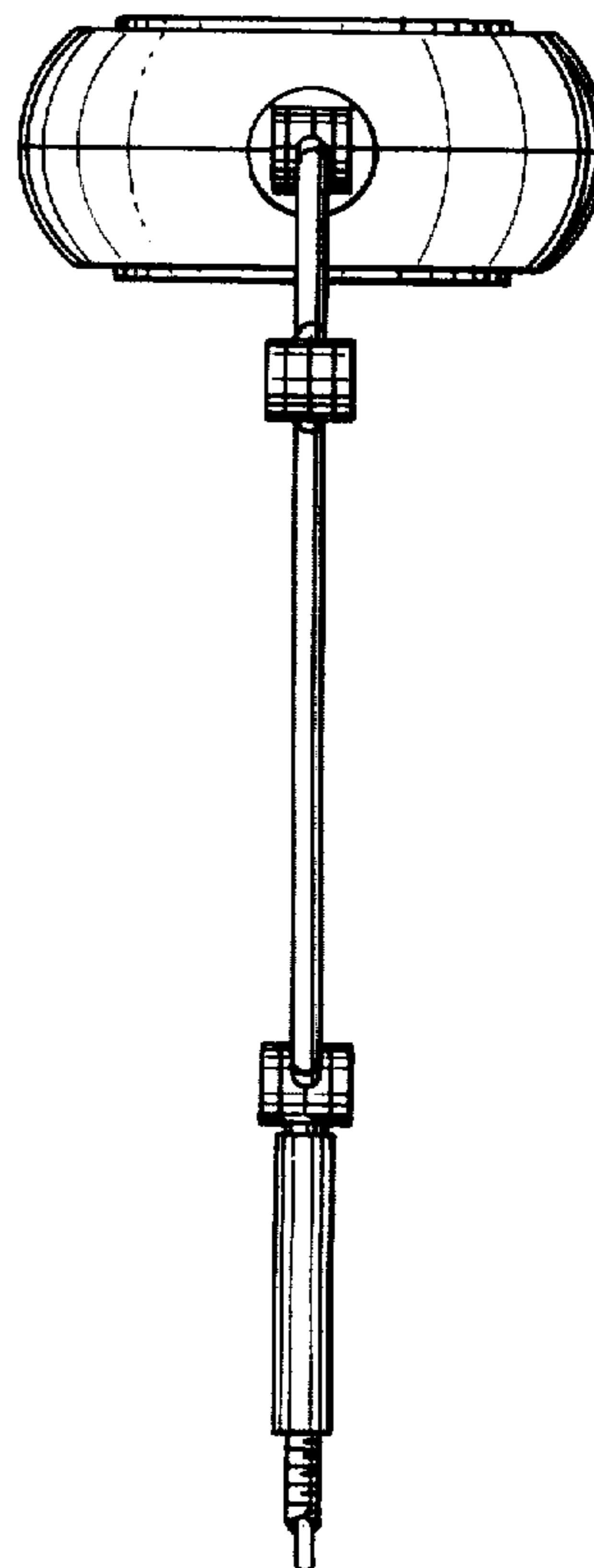


FIG. 10

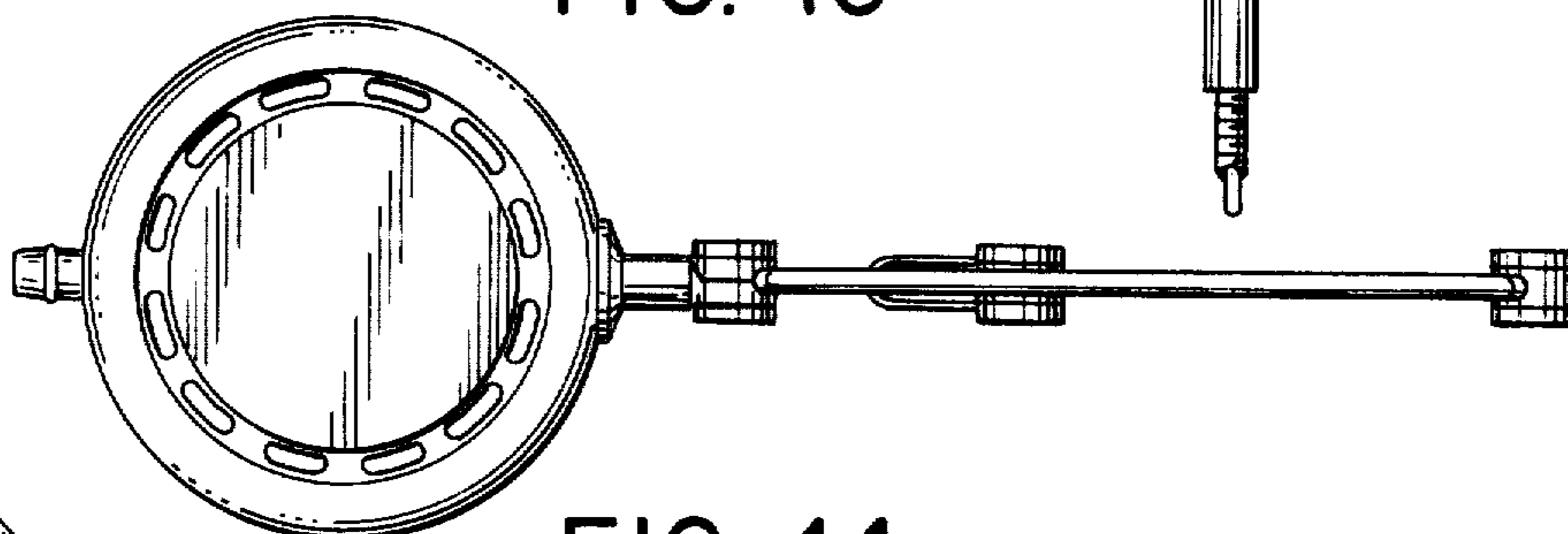


FIG. 11

