

[54] HOUSING FOR A CONTROL PANEL MOUNTED INSTRUMENT

[75] Inventors: Thomas R. Bean, Concord Township; Raymond Golden, Willowick; James E. Souders; Edward F. Stockmaster, both of Mentor, all of Ohio

[73] Assignee: The Babcock & Wilcox Company, New Orleans, La.

[\*\*] Term: 14 Years

[21] Appl. No.: 234,275

[22] Filed: Feb. 13, 1981

[51] Int. Cl. .... D13-03

[52] U.S. Cl. .... D13/41

[58] Field of Search .... D13/12, 32, 40, 41; D14/100, 114; 361/331, 332, 334, 346, 380, 381, 384, 415, 390-395, 399; 174/50, 52; 220/3.2, 3.3, 3.8, 3.9

[56] References Cited

U.S. PATENT DOCUMENTS

D. 218,609	9/1970	Charles	.....	D13/40
D. 247,116	1/1978	Ebner et al.	.....	D14/114
3,949,277	4/1976	Yosset	.....	361/391
4,004,194	1/1977	Doerflinger et al.	.....	361/415 X

Primary Examiner—Susan J. Lucas  
Attorney, Agent, or Firm—Vytas R. Matas; Robert J. Edwards

[57] CLAIM

The ornamental design for a housing for a control panel mounted instrument, as shown and described.

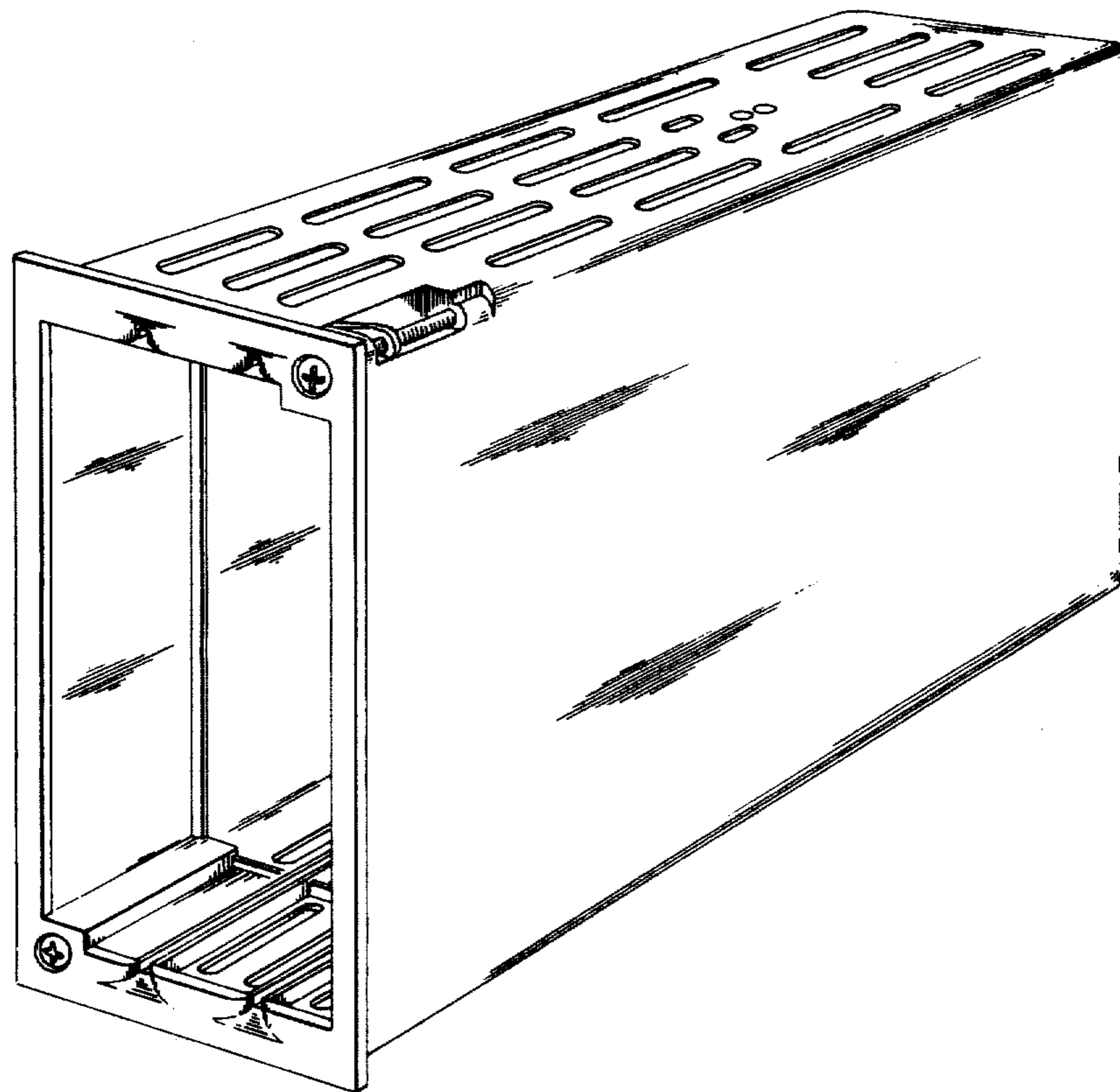
DESCRIPTION

FIG. 1 is a side perspective view of a housing for a control panel mounted instrument showing my new design.

FIG. 2 is a front perspective view thereof.

FIG. 3 is a rear elevational view thereof.

The left and right sides are identical as are the top and bottom.



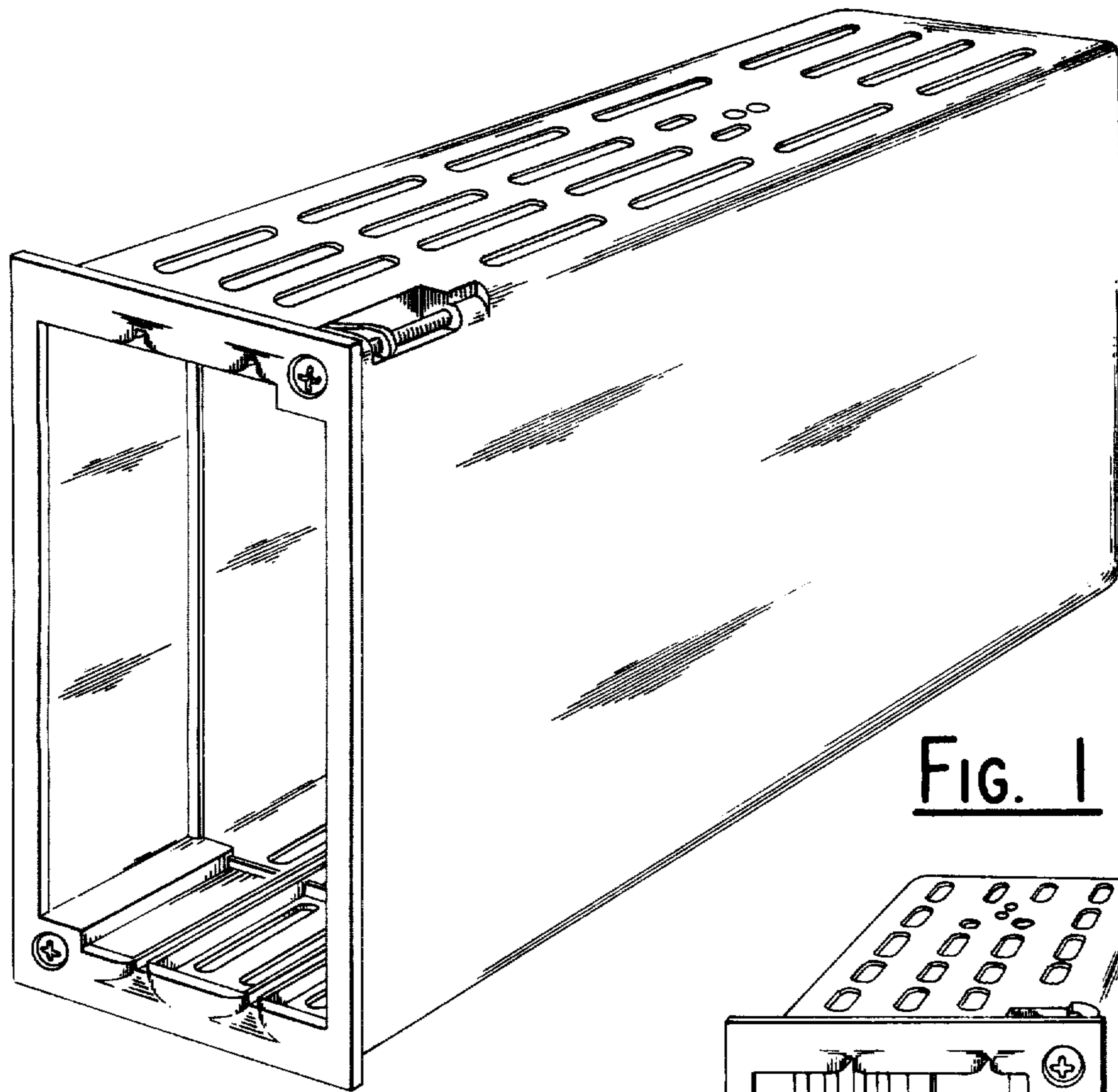


FIG. 1

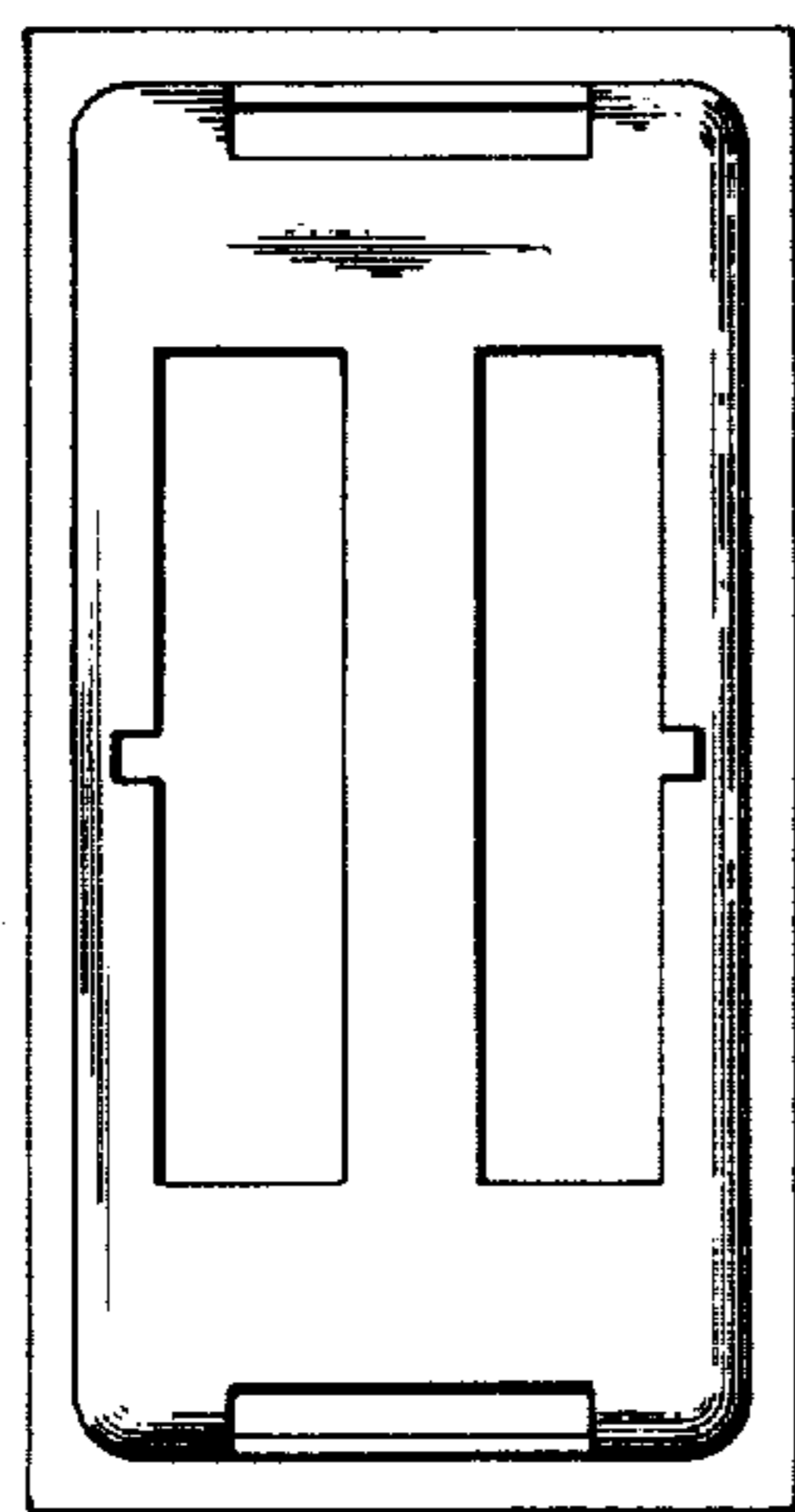


FIG. 3

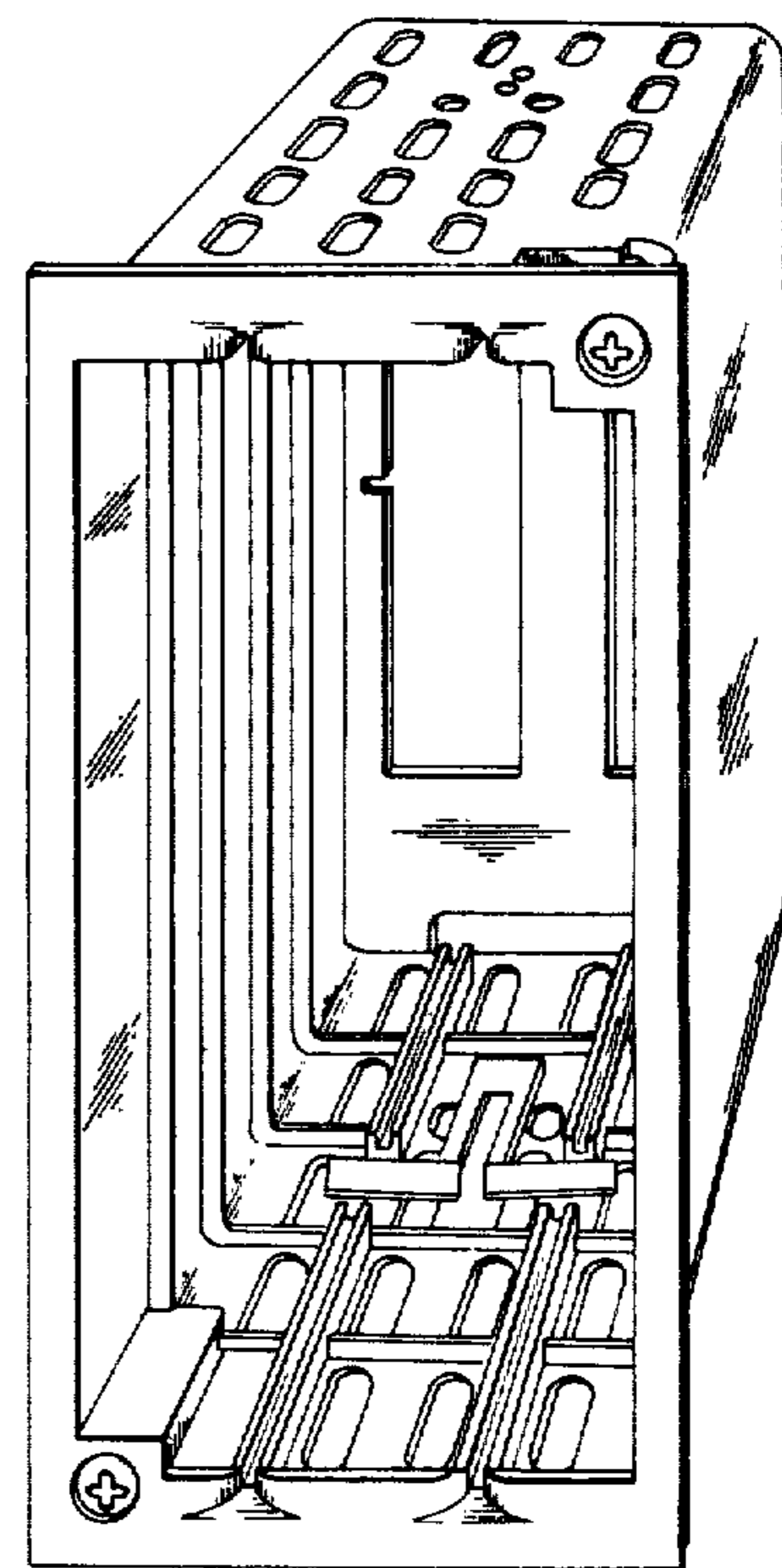


FIG. 2