

[54] MOTORCYCLE

[75] Inventors: Kozo Kuyama, Asaka; Junji Kikuchi, Akabanenishi; Mutsuo Hirose, Niiza, all of Japan

[73] Assignee: Honda Giken Kogyo Kabushiki Kaisha, Honda Motor Co., Ltd., Tokyo, Japan

[\*\*] Term: 14 Years

[21] Appl. No.: 173,848

[22] Filed: Jul. 30, 1980

[30] Foreign Application Priority Data

Feb. 1, 1980 [JP] Japan ..... 55-3131

[51] Int. Cl. .... D12-11

[52] U.S. Cl. .... D12/110

[58] Field of Search ..... D12/110; 180/219

[56] References Cited

PUBLICATIONS

Cycle World, 6/79, p. 36, Suzuki RM125N, bottom of

page, 6/79, p. 37, Yamaha YZ125F & Kawasaki KX125, 7/79, p. 79, Maico 450 Magnum. Motorcyclist, 10/79, p. 10, Honda Motorcycle, p. 91, Honda XR80.

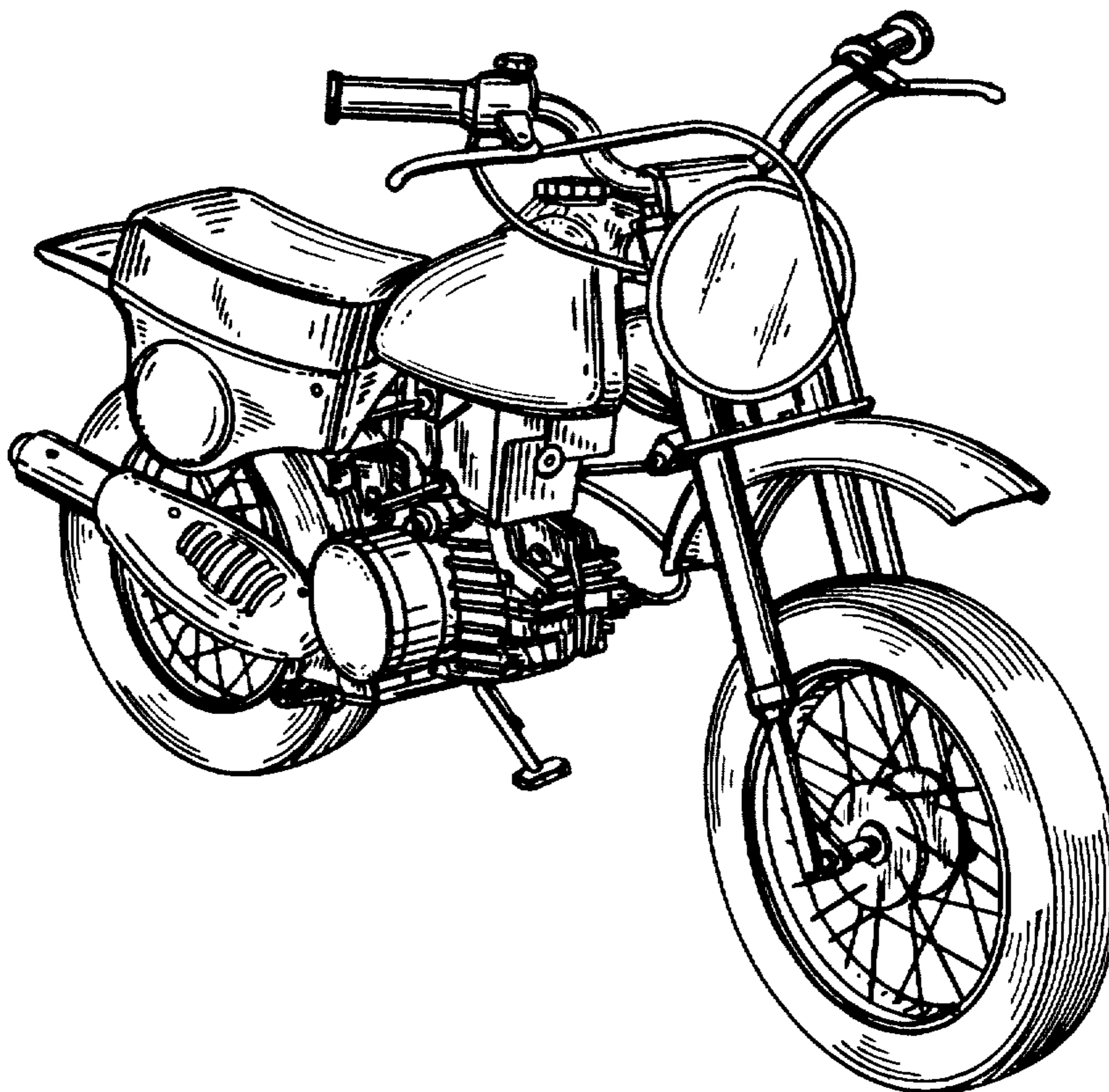
Primary Examiner—James M. Gandy  
Attorney, Agent, or Firm—Armstrong, Nikaido, Marmelstein & Kubovcik

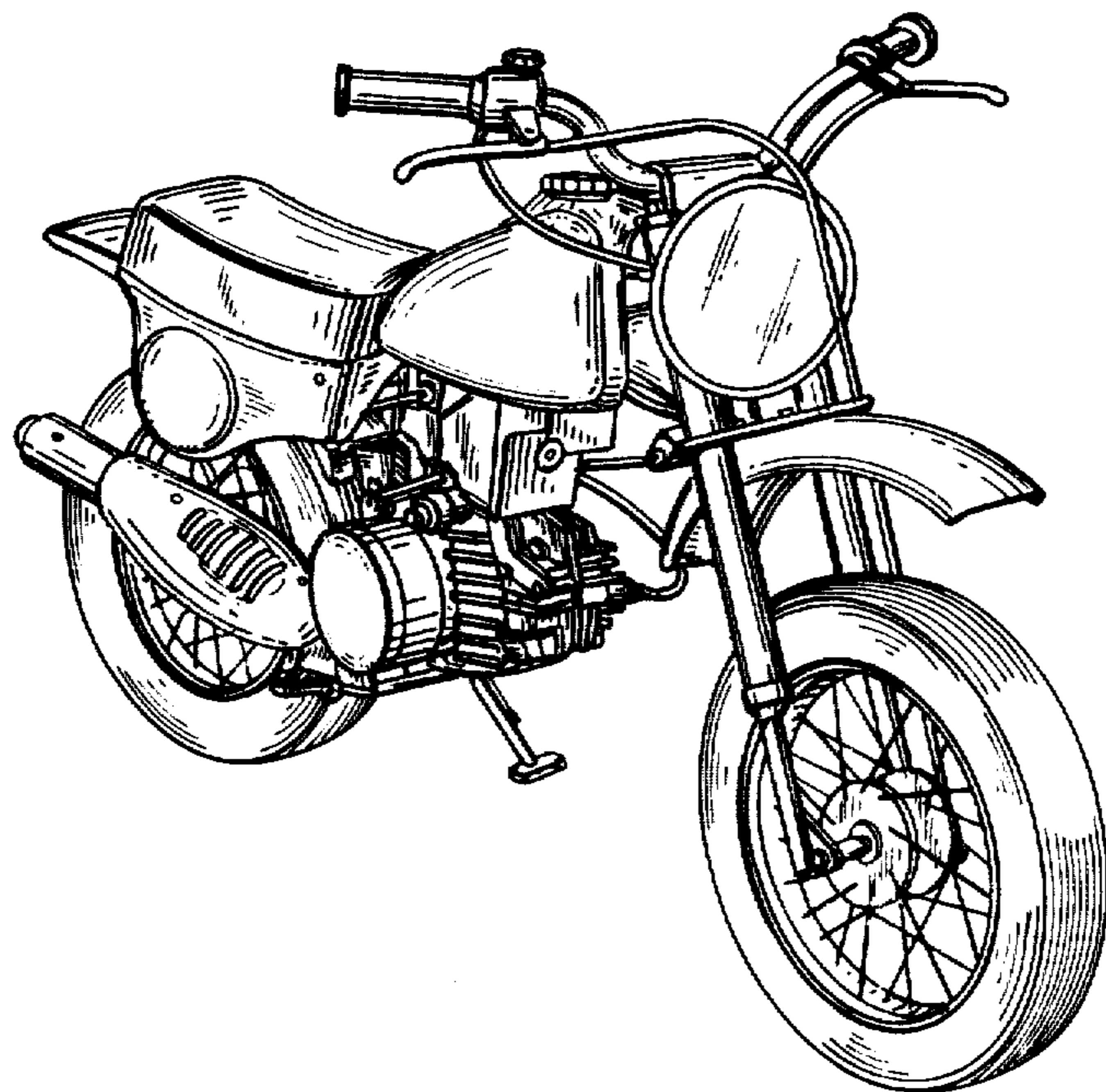
[57] CLAIM

The ornamental design for a motorcycle, as shown and described.

DESCRIPTION

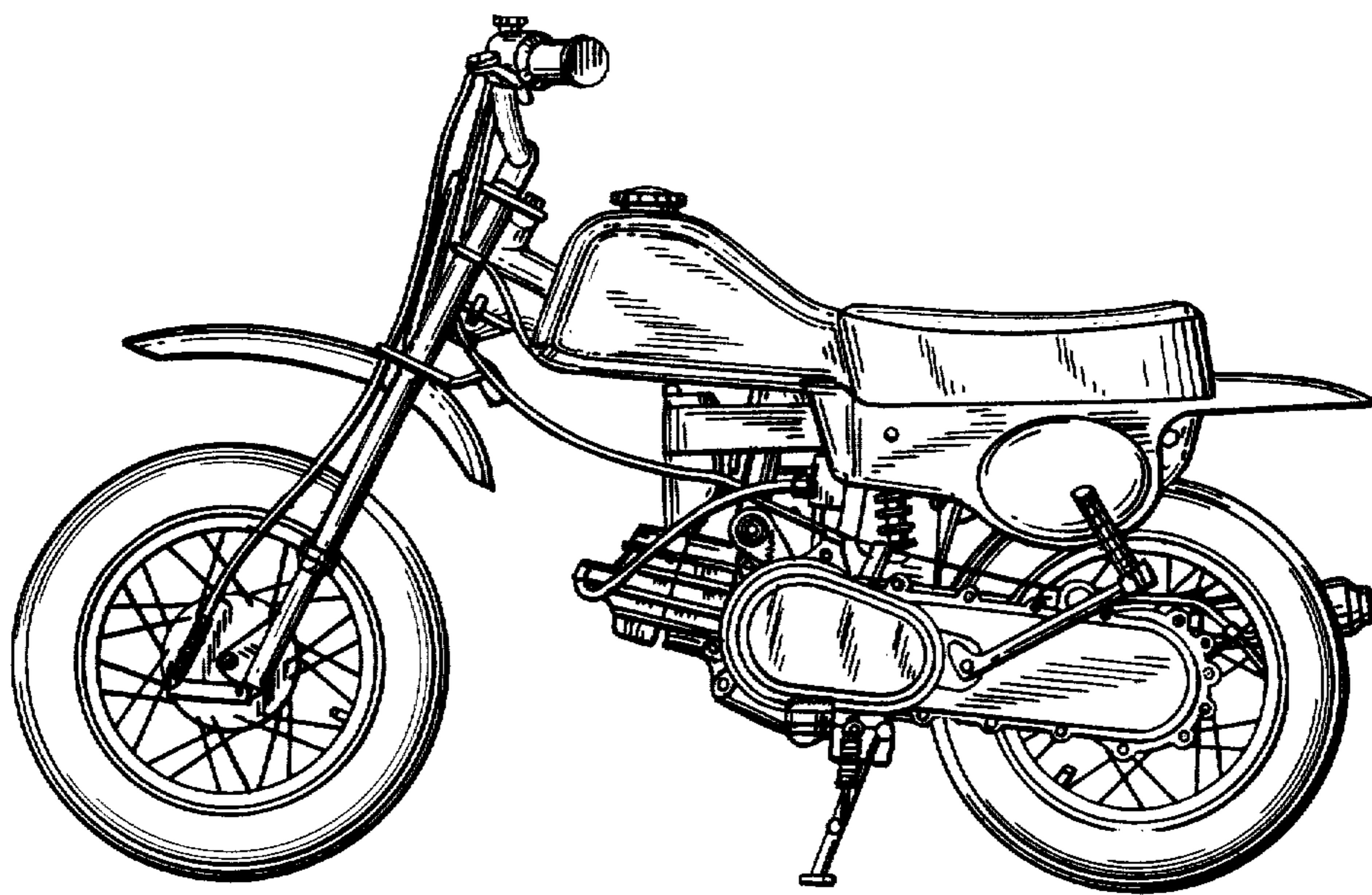
FIG. 1 is a perspective view of a motorcycle showing our new design;  
FIG. 2 is a right side elevational view thereof;  
FIG. 3 is a top plan view thereof;  
FIG. 4 is a left side elevational view thereof;  
FIG. 5 is a front elevational view thereof;  
FIG. 6 is a rear elevational view thereof;  
FIG. 7 is a bottom plan view thereof.





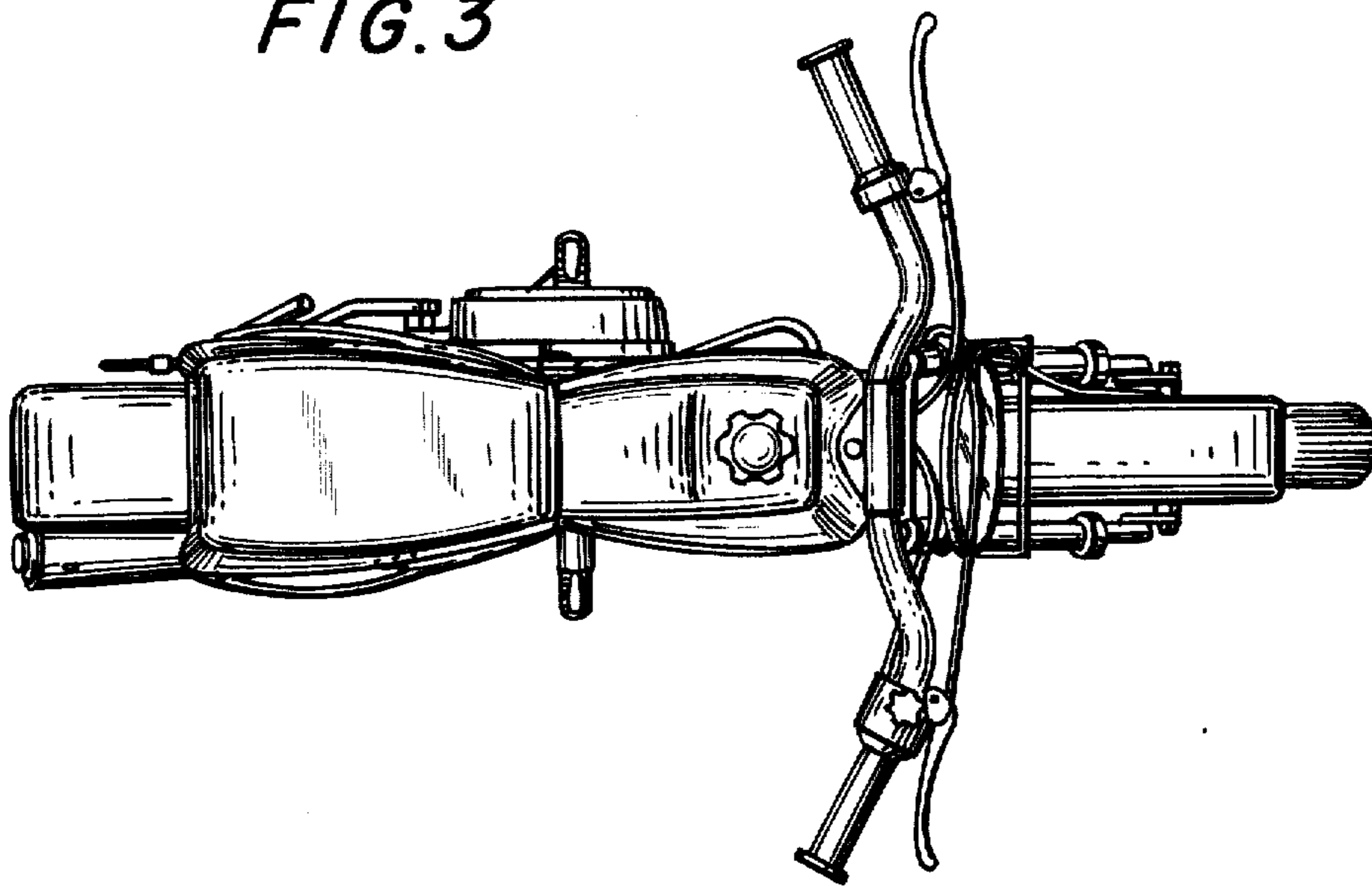
*FIG. 1*

*FIG. 2*

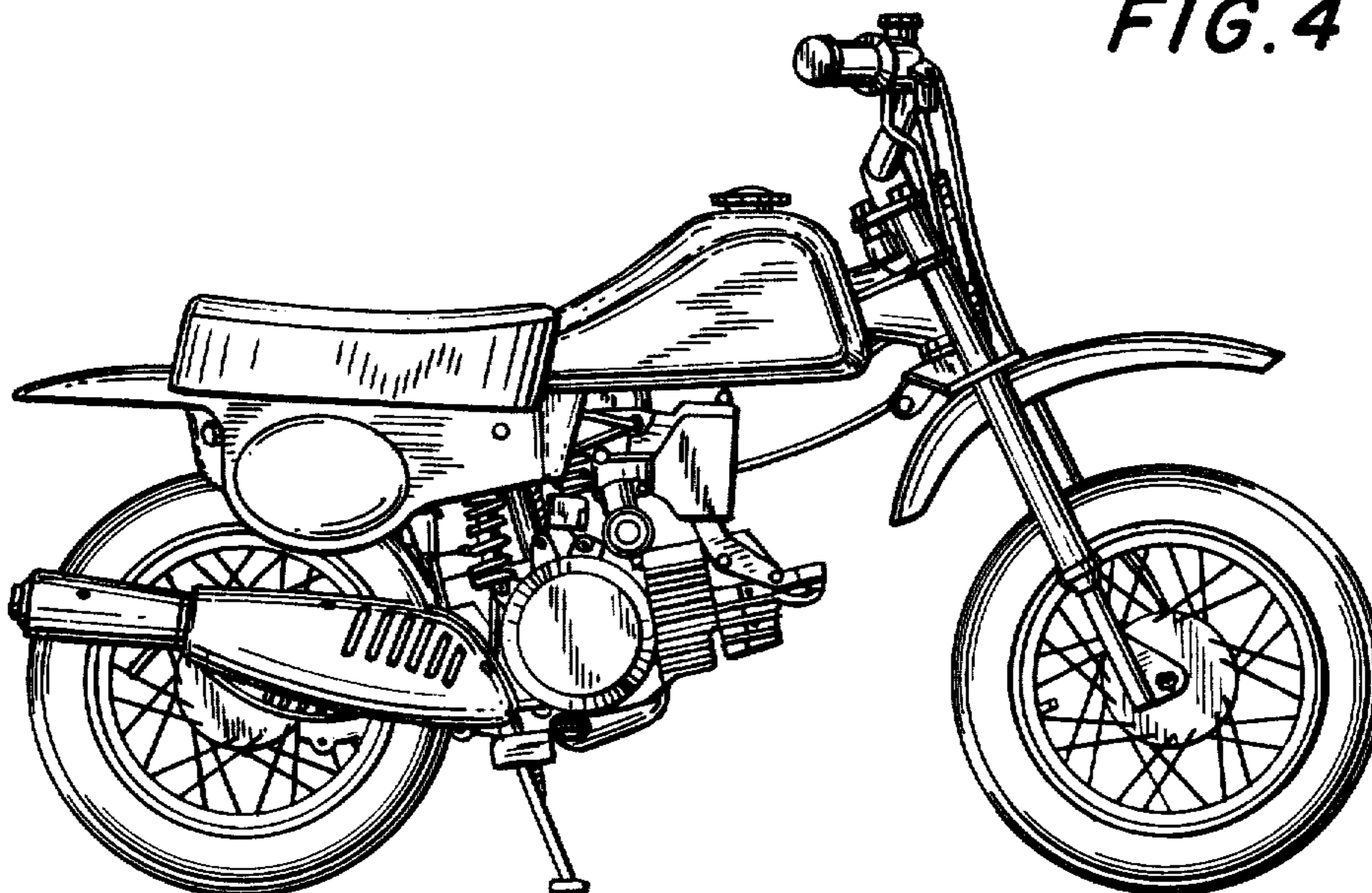




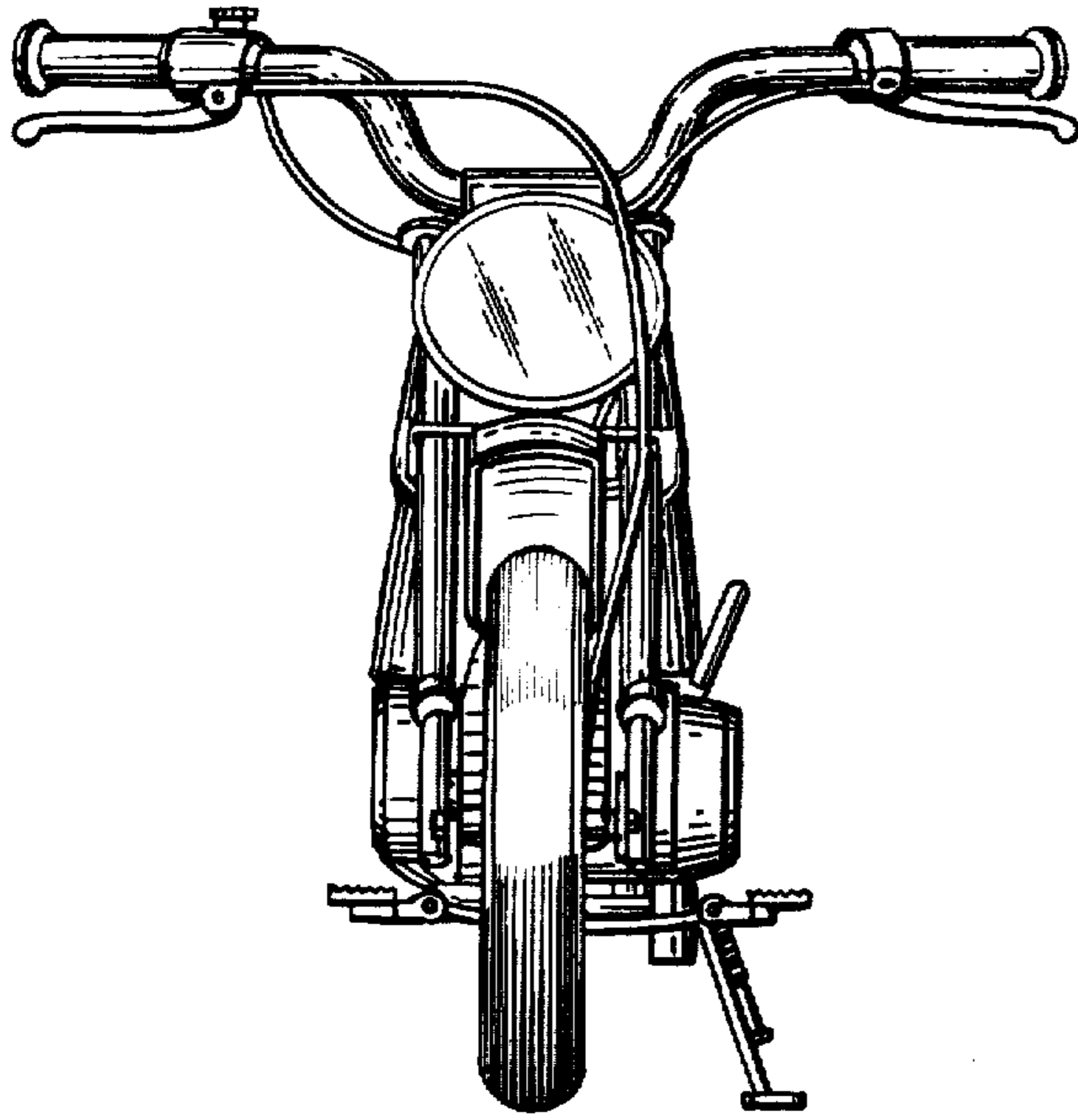
**FIG. 3**



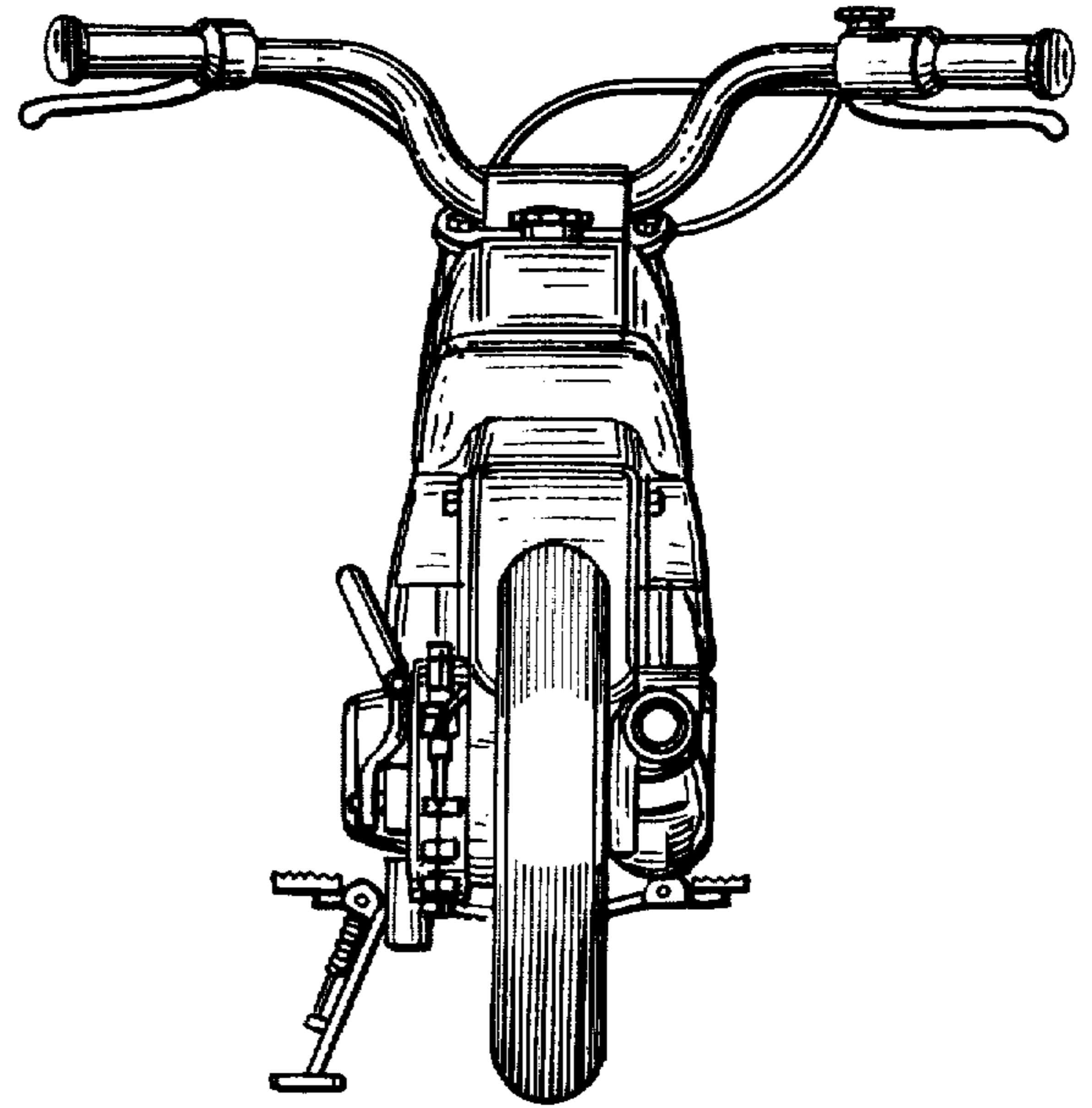
**FIG. 4**



*FIG. 5*



*FIG. 6*



*FIG. 7*

