

[54] FREEZER ALARM

[76] Inventor: Billy J. McMillan, 104 W. Central, Warren, Ark. 71671

[**] Term: 14 Years

[21] Appl. No.: 239,064

[22] Filed: Feb. 27, 1981

[51] Int. Cl. D10-06

[52] U.S. Cl. D10/106

[58] Field of Search D10/104, 106, 121, 116; 340/530, 540, 541, 542, 545, 546, 547, 552-561, 565, 566, 568, 576-581, 584, 585, 586, 588

[56] References Cited

U.S. PATENT DOCUMENTS

2,826,656	3/1958	Gordon	340/545 X
3,753,259	8/1973	Donovan	340/530 X
4,144,532	3/1979	Boyd	340/585

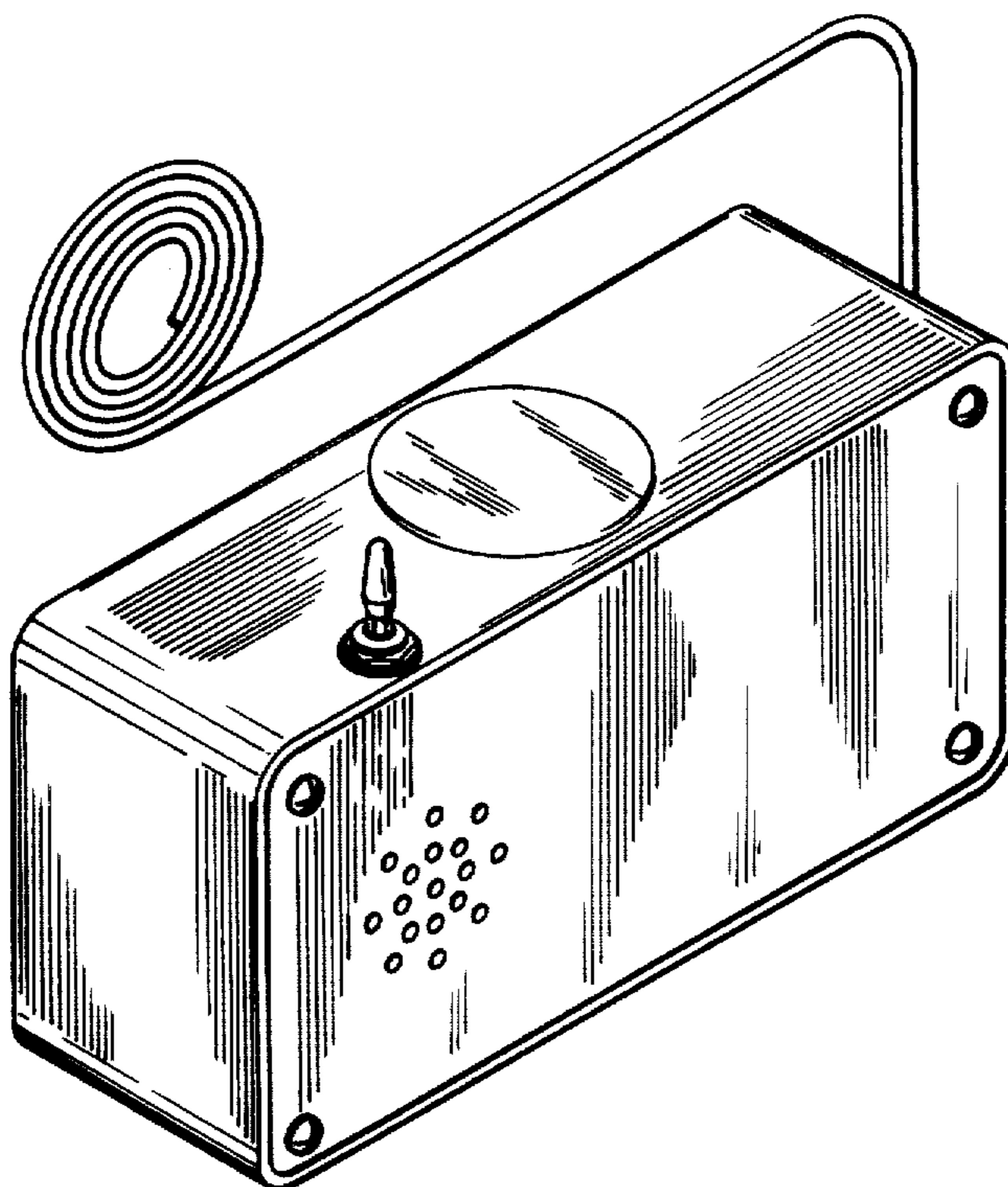
Primary Examiner—Susan J. Lucas
Attorney, Agent, or Firm—Stephen D. Carver

[57] CLAIM

The ornamental design for a freezer alarm, as shown and described.

DESCRIPTION

FIG. 1 is an isometric view of a freezer alarm showing my new design;
FIG. 2 is a top plan view thereof;
FIG. 3 is an end view thereof, taken generally from a position toward the right side of the illustration of FIG. 1;
FIG. 4 is a bottom plan view of my freezer alarm;
FIG. 5 is an end view similar to FIG. 3, but taken from a position generally to the left of the illustration of FIG. 1;
FIG. 6 is a front elevational view of my freezer alarm; and,
FIG. 7 is a rear elevational view thereof.



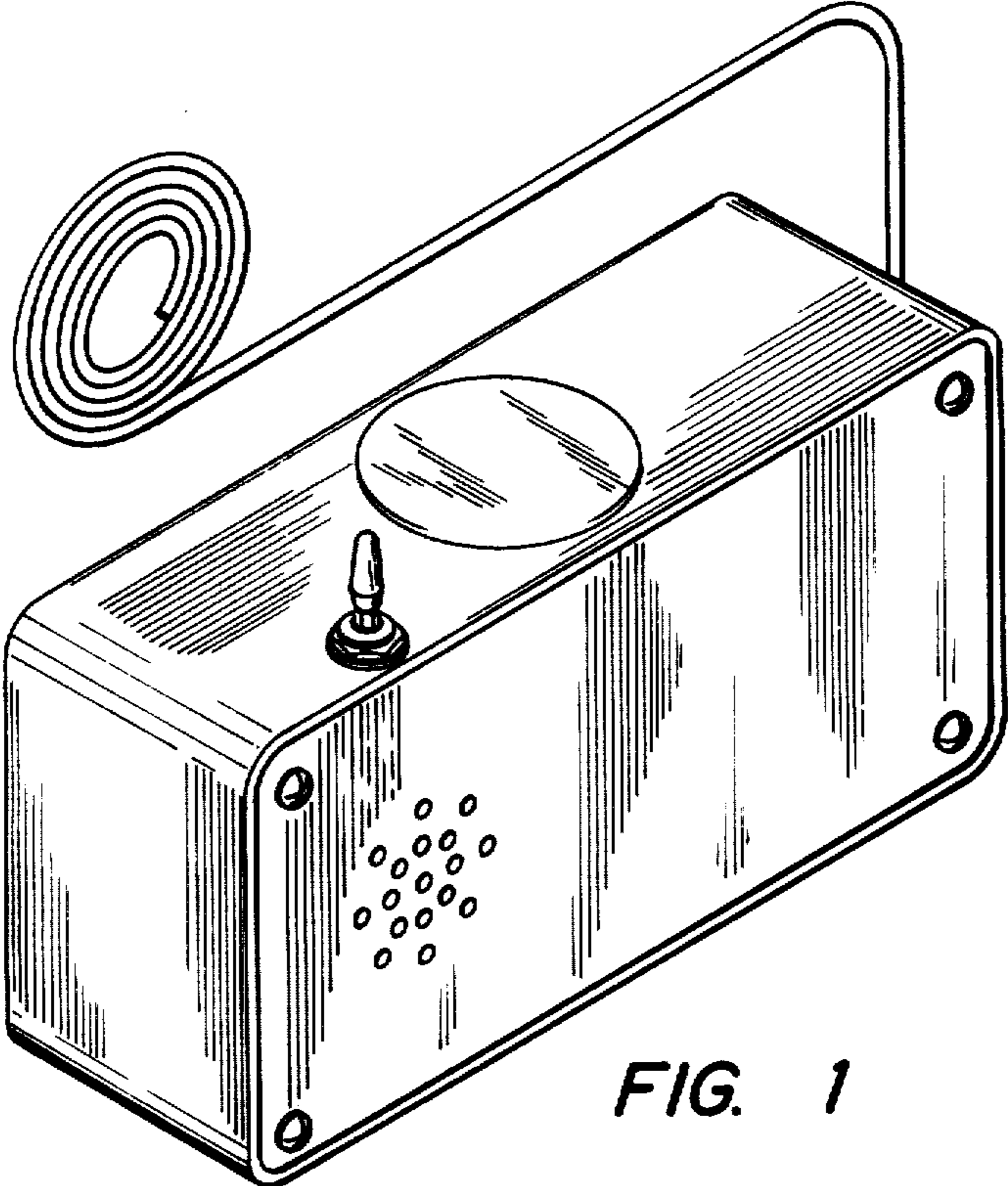


FIG. 1

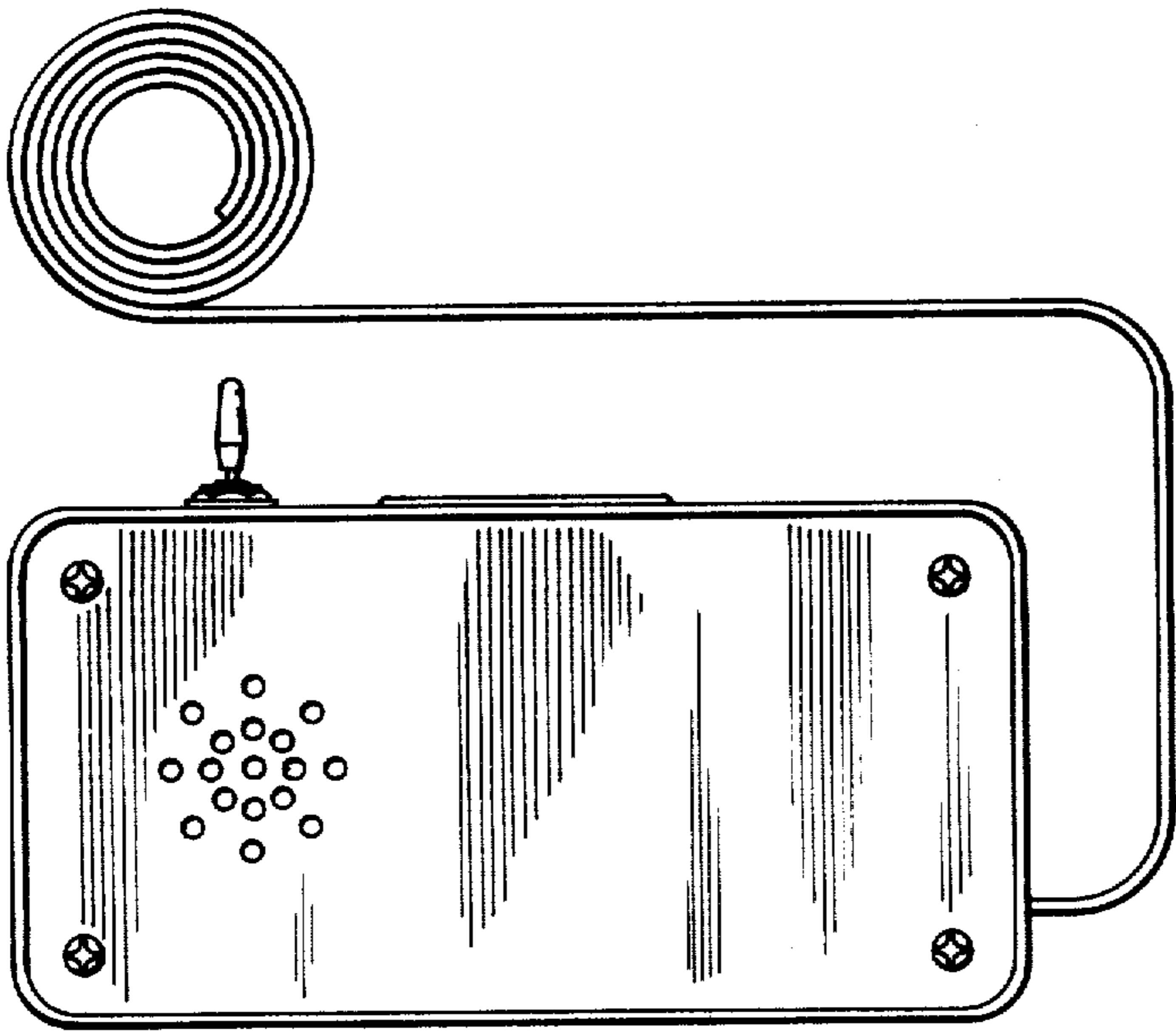


FIG. 2

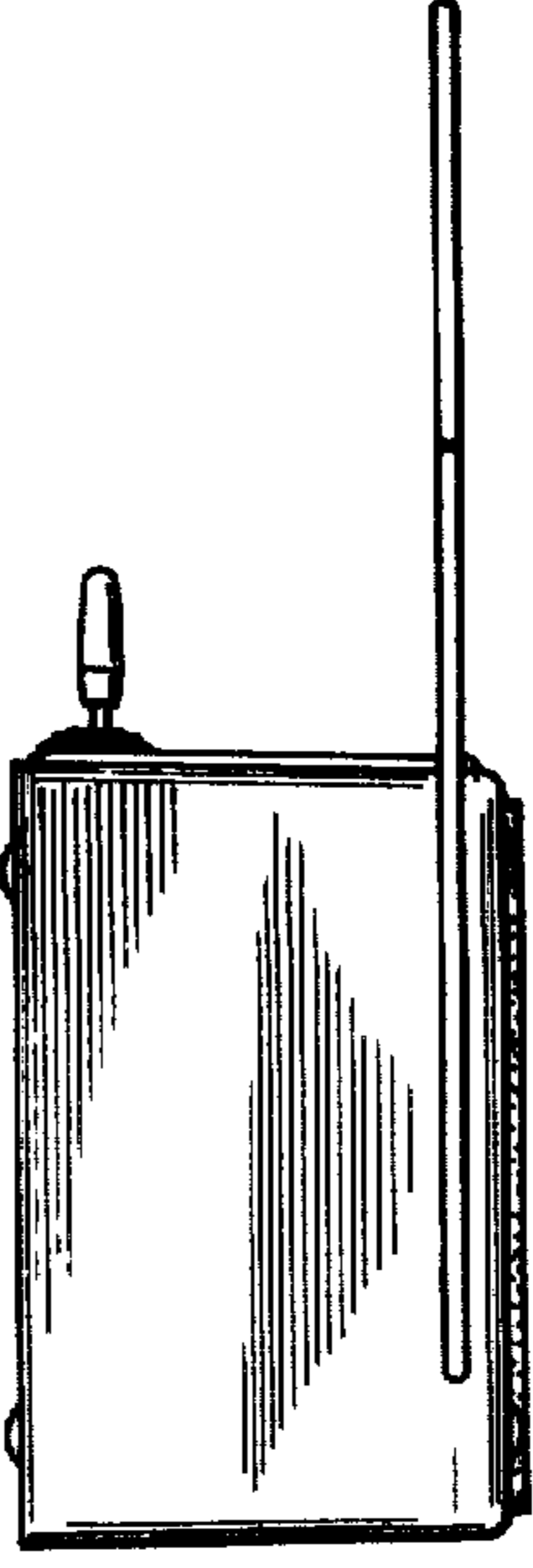


FIG. 3

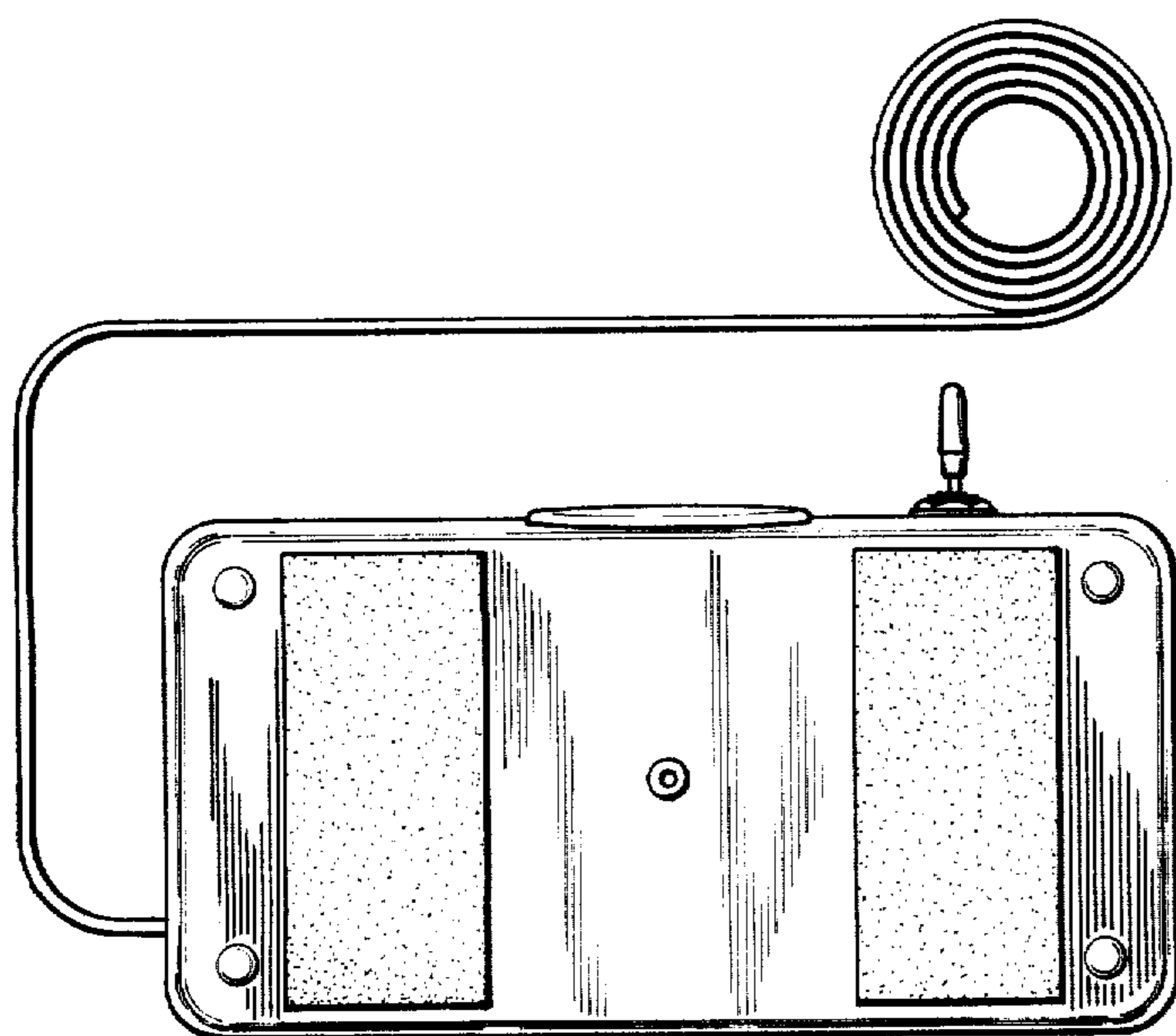


FIG. 4

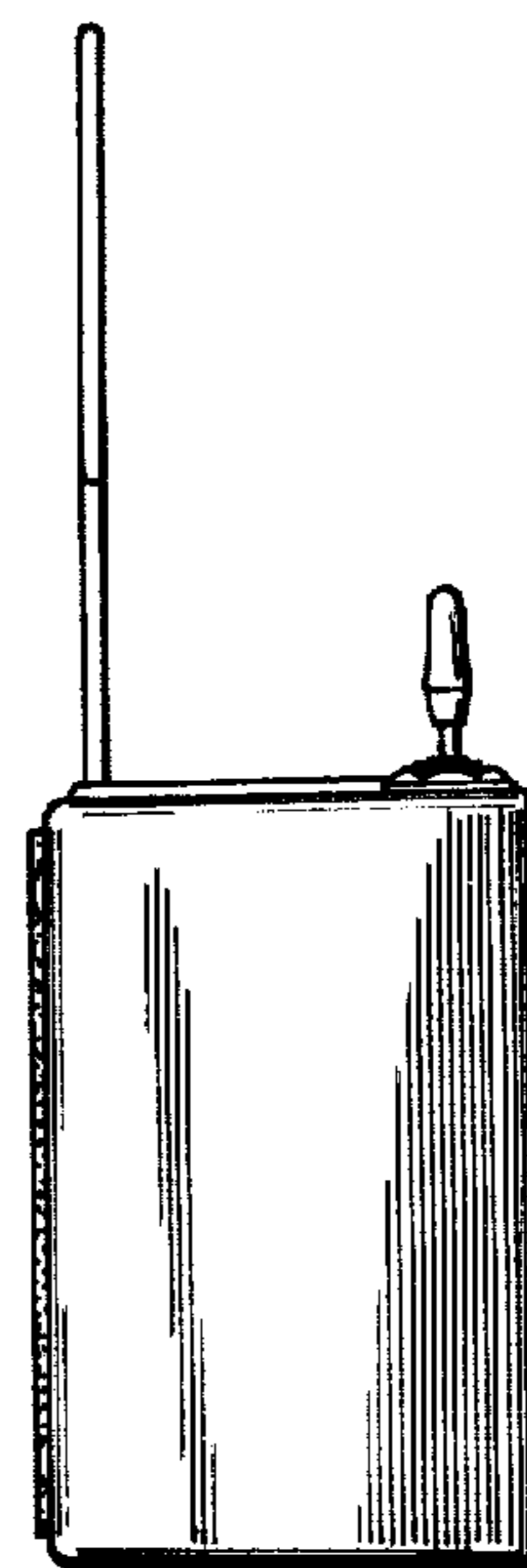


FIG. 5

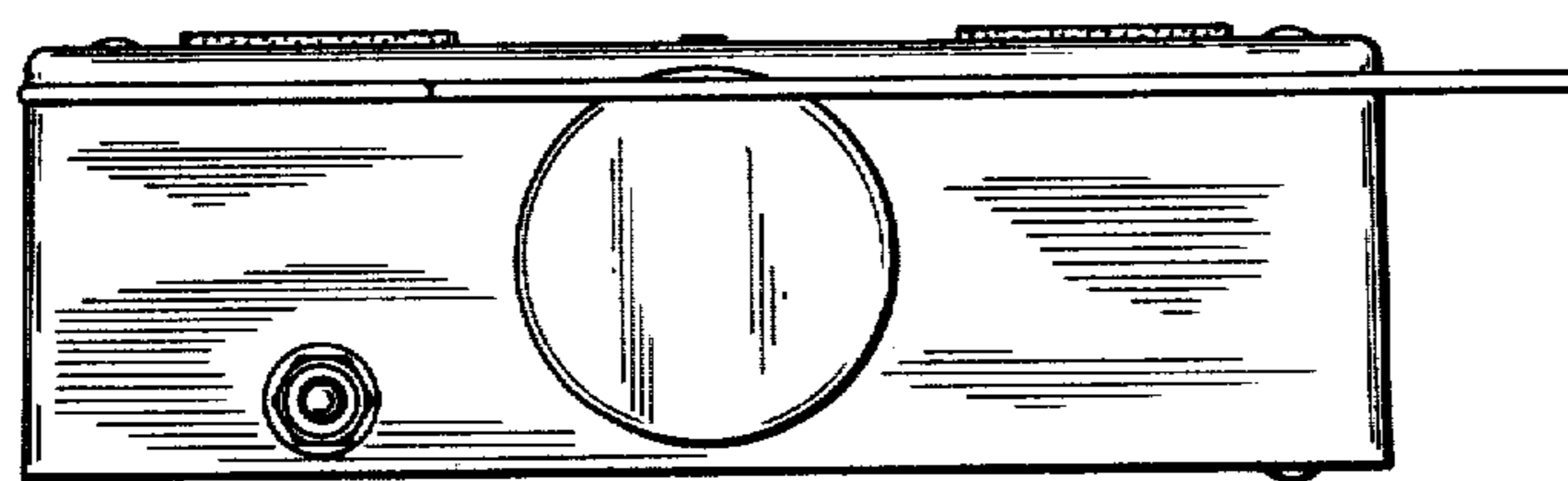


FIG. 6

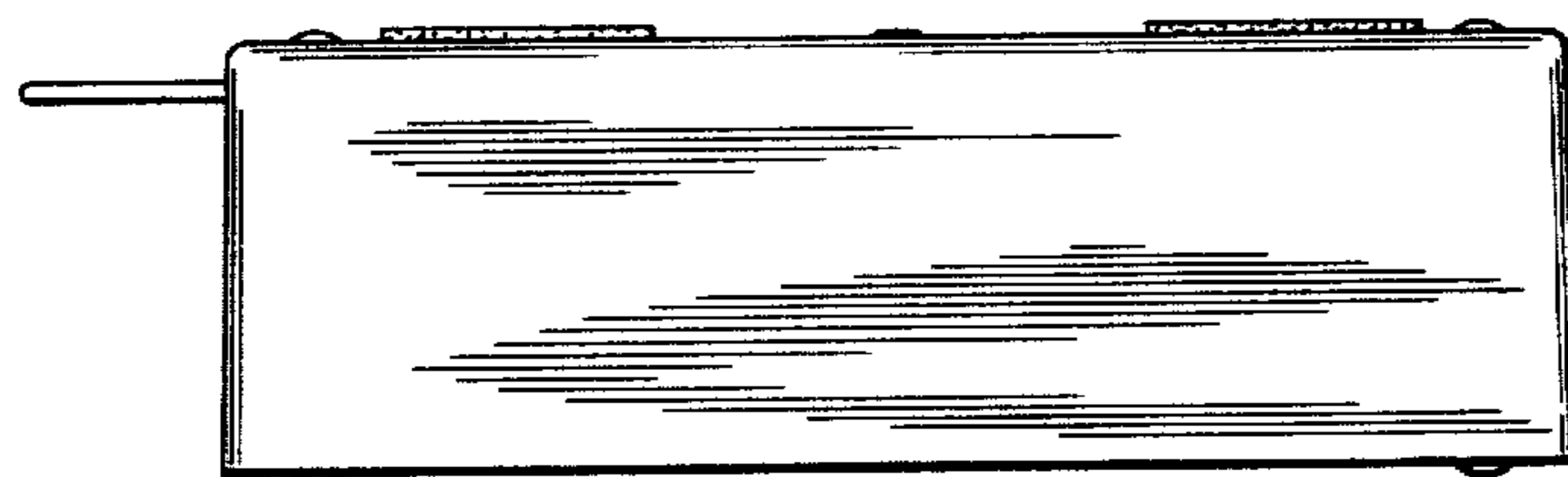


FIG. 7