

[54] ILLUMINATED LEVEL
[76] Inventor: Ronald A. Olson, P.O. Box 580, Big Pine, Calif. 93513
[**] Term: 14 Years
[21] Appl. No.: 243,527
[22] Filed: Mar. 13, 1981
[51] Int. Cl. D10-04
[52] U.S. Cl. D10/69
[58] Field of Search D10/69; 33/381, 348.2

3,114,507 12/1963 Dommer 33/348.2

FOREIGN PATENT DOCUMENTS

2128056 12/1977 Fed. Rep. of Germany 33/381

Primary Examiner—Nelson C. Holtje
Attorney, Agent, or Firm—John J. Posta, Jr.

[57] CLAIM

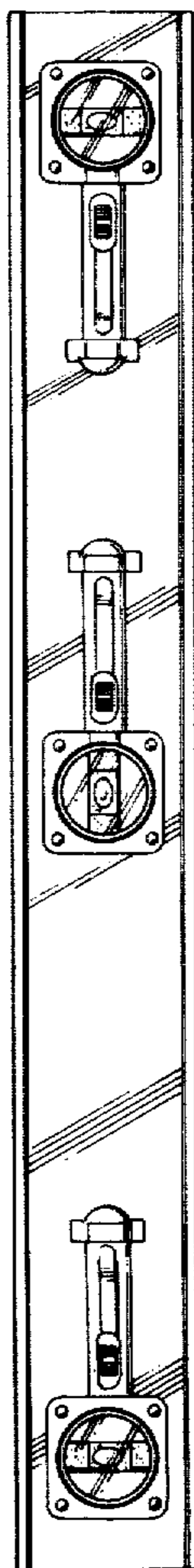
The ornamental design for an illuminated level, substantially as shown and described.

DESCRIPTION

FIG. 1 is an enlarged fragmentary top plan view of one end of an illuminated level showing my new design; FIG. 2 is a cross-sectional view as taken from the bottom end of FIG. 1; FIG. 3 is a top plan view thereof on a reduced scale, the bottom plan view being identical but with the switch eliminated; FIG. 4 is a typical edge elevational view of FIG. 3.

[56] References Cited
U.S. PATENT DOCUMENTS

2,198,945 4/1940 Morris 33/348.2
2,652,481 9/1953 Hall 33/348.2
2,720,709 10/1955 Stankawitz 33/381
2,810,206 10/1957 Ziemann 33/381
2,937,264 5/1960 Snyder 33/348.2



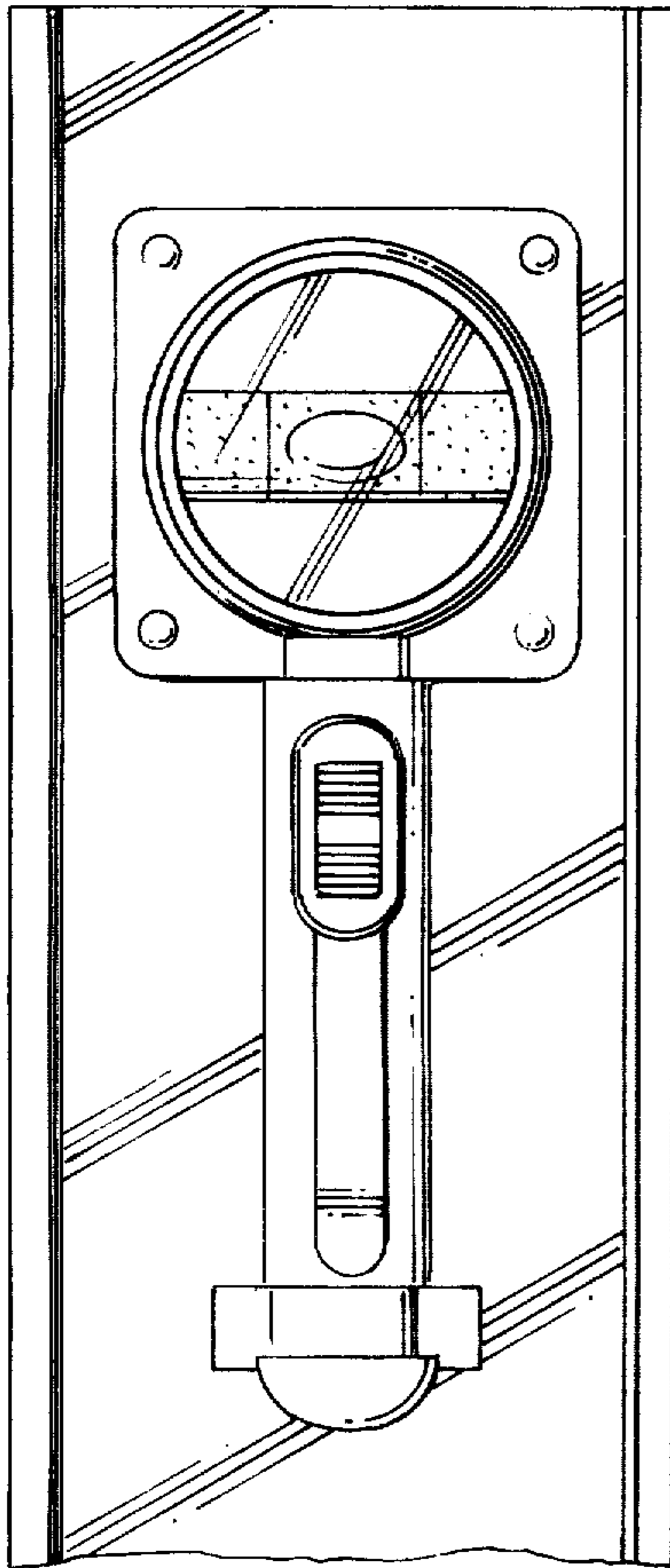


Fig. 1

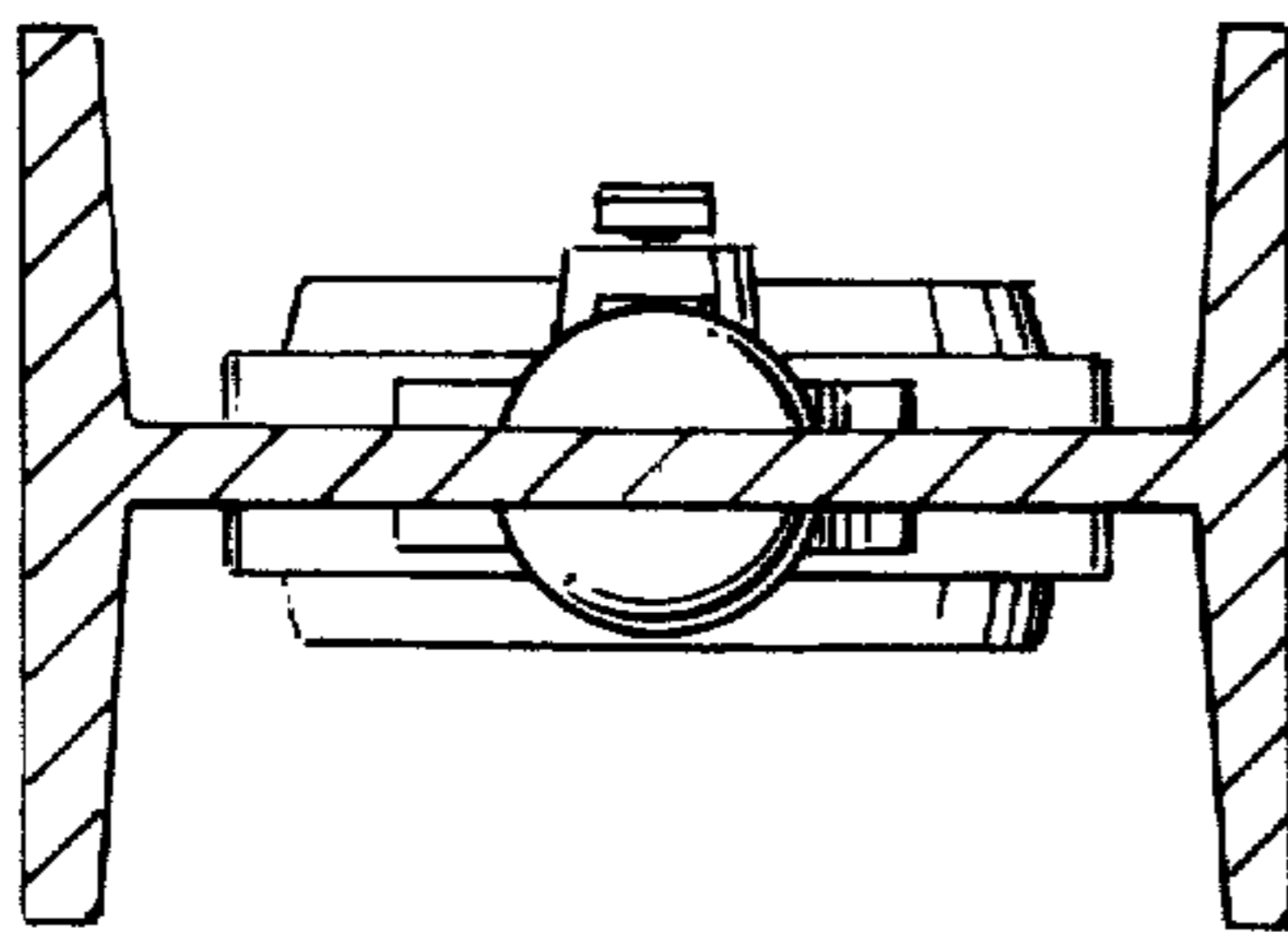


Fig. 2

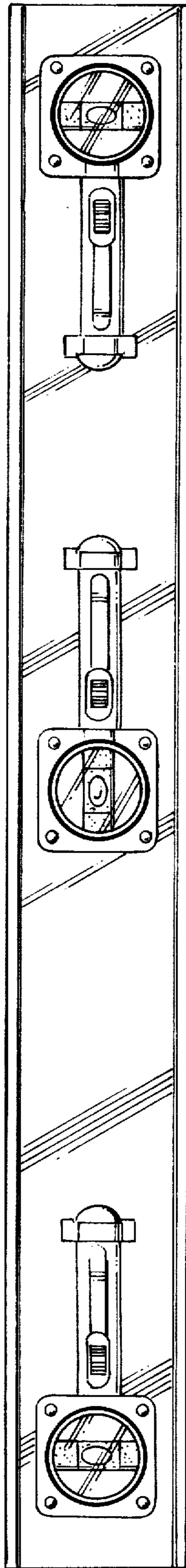


Fig. 3



Fig. 4