

[54] **BOTTLE OR SIMILAR ARTICLE**

[76] **Inventor:** **Camille Ziccardi**, 1831 W. Eddy St.,
Chicago, Ill. 60657

[**] **Term:** **14 Years**

[21] **Appl. No.:** **159,483**

[22] **Filed:** **Jun. 16, 1980**

Related U.S. Application Data

[63] Continuation-in-part of Ser. No. 85,275, Oct. 16, 1979.

[51] **Int. Cl.** **D9—01**

[52] **U.S. Cl.** **D9/375; D9/377;**
D9/384; D9/389

[58] **Field of Search** **D9/375, 377, 384, 386,**
D9/389, 401, 405; 215/1 R, 1 C

[56] **References Cited**

U.S. PATENT DOCUMENTS

D. 77,742	2/1929	Corotneff	D9/377
D. 80,363	1/1930	De Wagner	D9/375
D. 91,474	2/1934	Tumbler	D9/405
D. 100,077	6/1936	Luft	D9/401
D. 101,268	9/1936	Brand et al.	D9/401
D. 237,863	12/1975	Peters et al.	D9/377
D. 248,194	6/1978	Urben et al.	D3/20

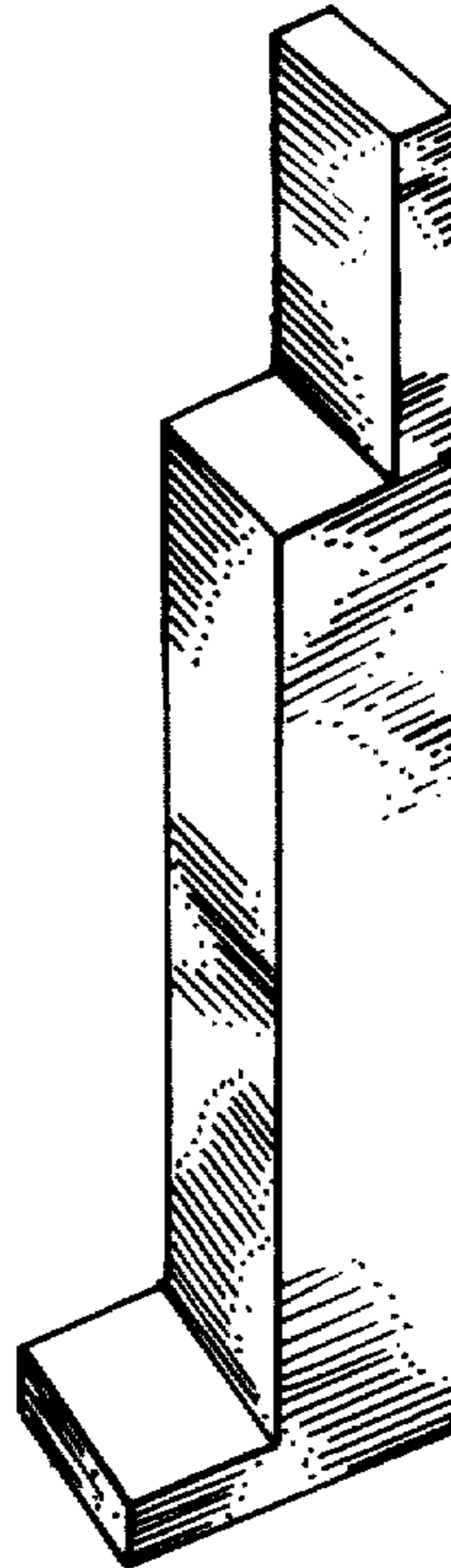
Primary Examiner—Robert C. Spangler
Attorney, Agent, or Firm—Burmeister, York, Palmatier,
Hamby & Jones

[57] **CLAIM**

The ornamental design for a bottle or similar article, as shown and described.

DESCRIPTION

FIG. 1 is a front perspective view of a bottle or similar article showing my new design;
FIG. 2 is a fragmentary, exploded perspective view;
FIG. 3 is an elevational view showing the side opposite that as seen in FIG. 1; and
FIG. 4 is a top plan view.



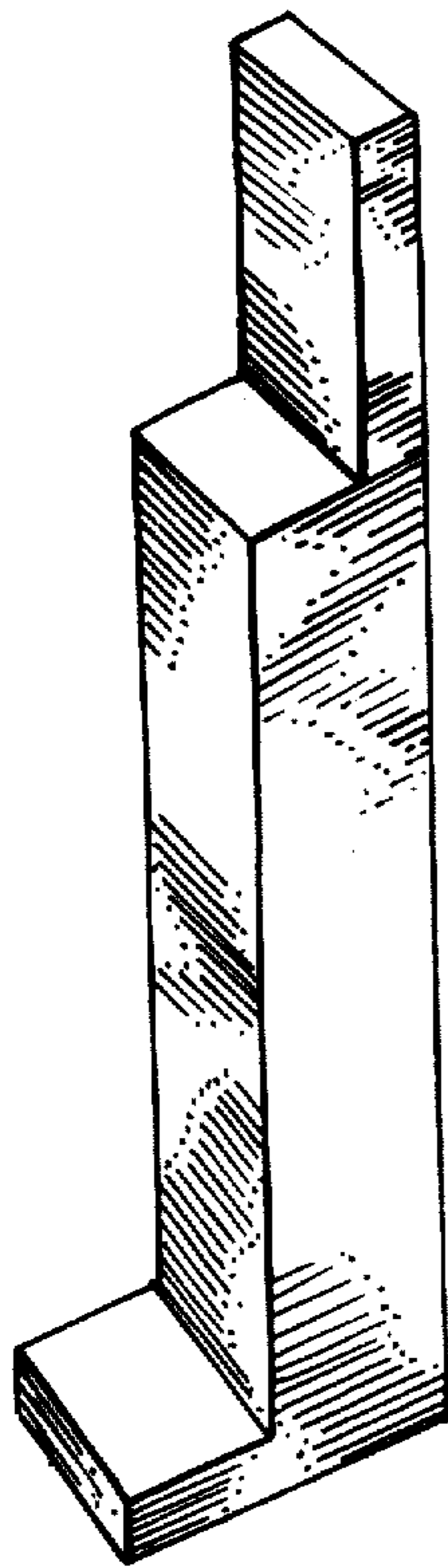


FIG. 1

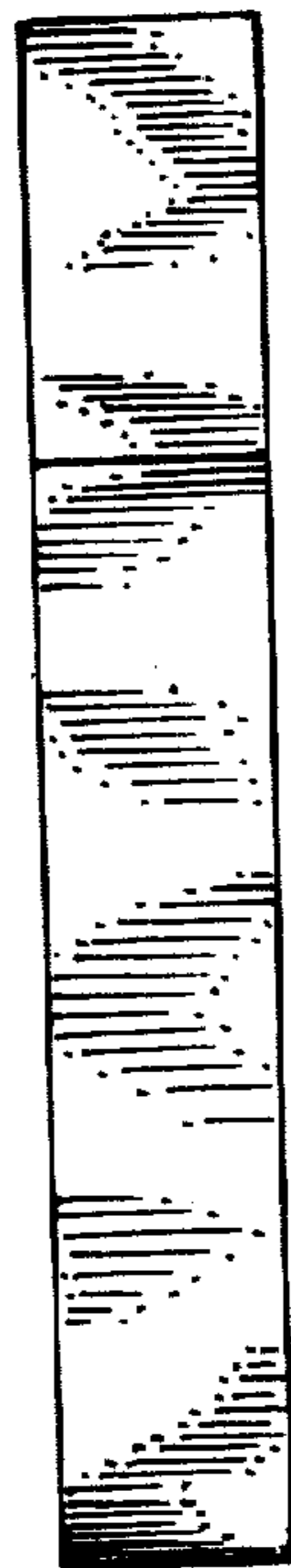


FIG. 3

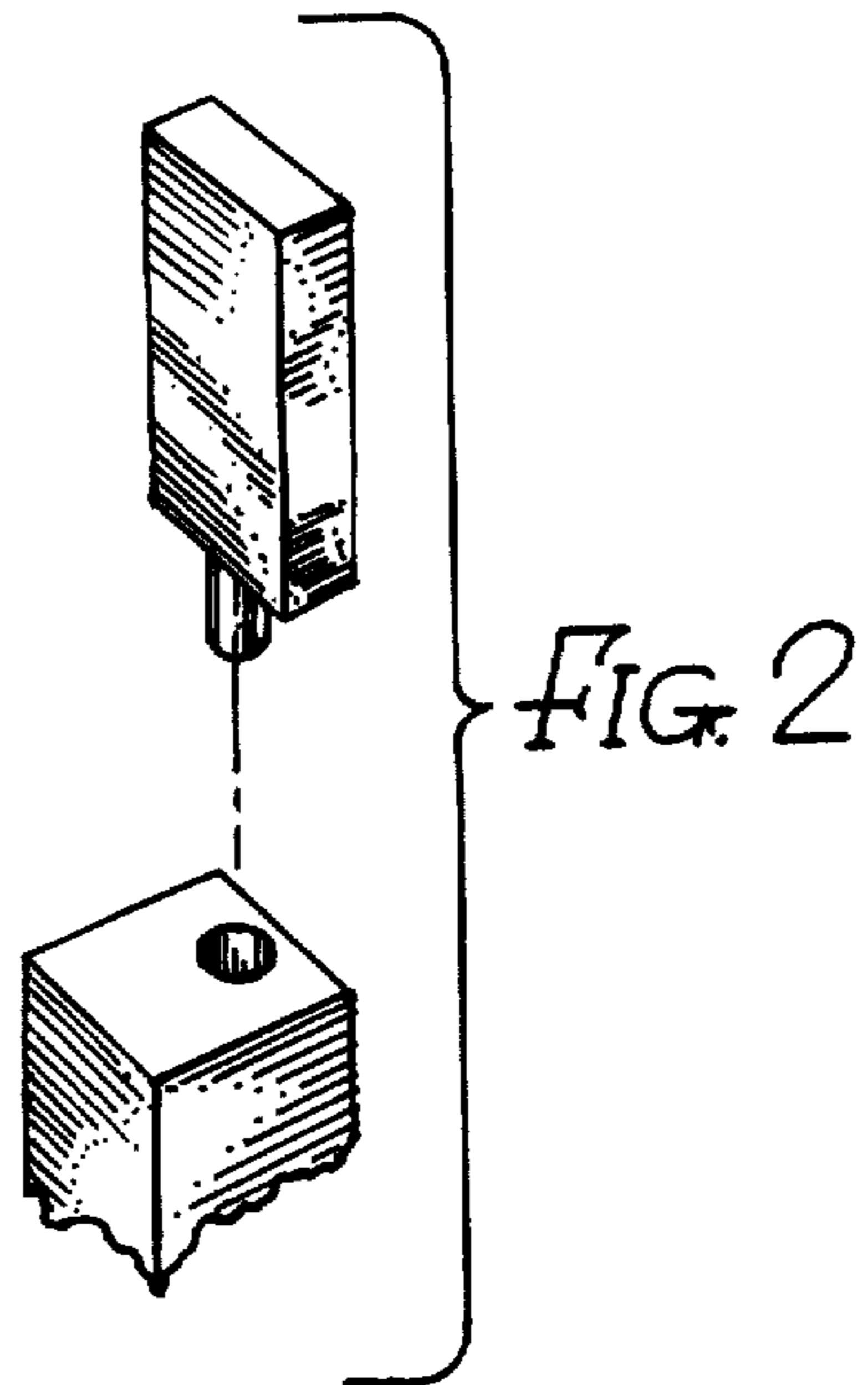


FIG. 2



FIG. 4