

[54] MEASURING RECEPTACLE HAVING REMOVABLE BOTTOM WITH HANDLE

[76] Inventor: Shirley J. P. Kelson, 9238-35th Ave. SW., Seattle, Wash. 98126

[**] Term: 14 Years

[21] Appl. No.: 265,618

[22] Filed: May 20, 1981

[51] Int. Cl. D07-04; D10-04

[52] U.S. Cl. D7/50

[58] Field of Search D7/50, 76, 99; 73/426, 73/429

[56] References Cited

U.S. PATENT DOCUMENTS

93,231	8/1869	Rosbeck	73/429
772,674	10/1904	Rommer	73/426
897,458	9/1908	Dickeson	73/429
3,030,812	4/1962	Lutz	73/426

4,154,109 5/1979 Kelson D7/50 X

FOREIGN PATENT DOCUMENTS

711639 10/1941 Fed. Rep. of Germany D7/50 X

Primary Examiner—Winifred E. Herrmann
Attorney, Agent, or Firm—John O. Graybeal

[57] CLAIM

The ornamental design for a measuring receptacle having removable bottom with handle, substantially as shown and described.

DESCRIPTION

FIG. 1 is a perspective view of a measuring receptacle having removable bottom with handle showing my new design;

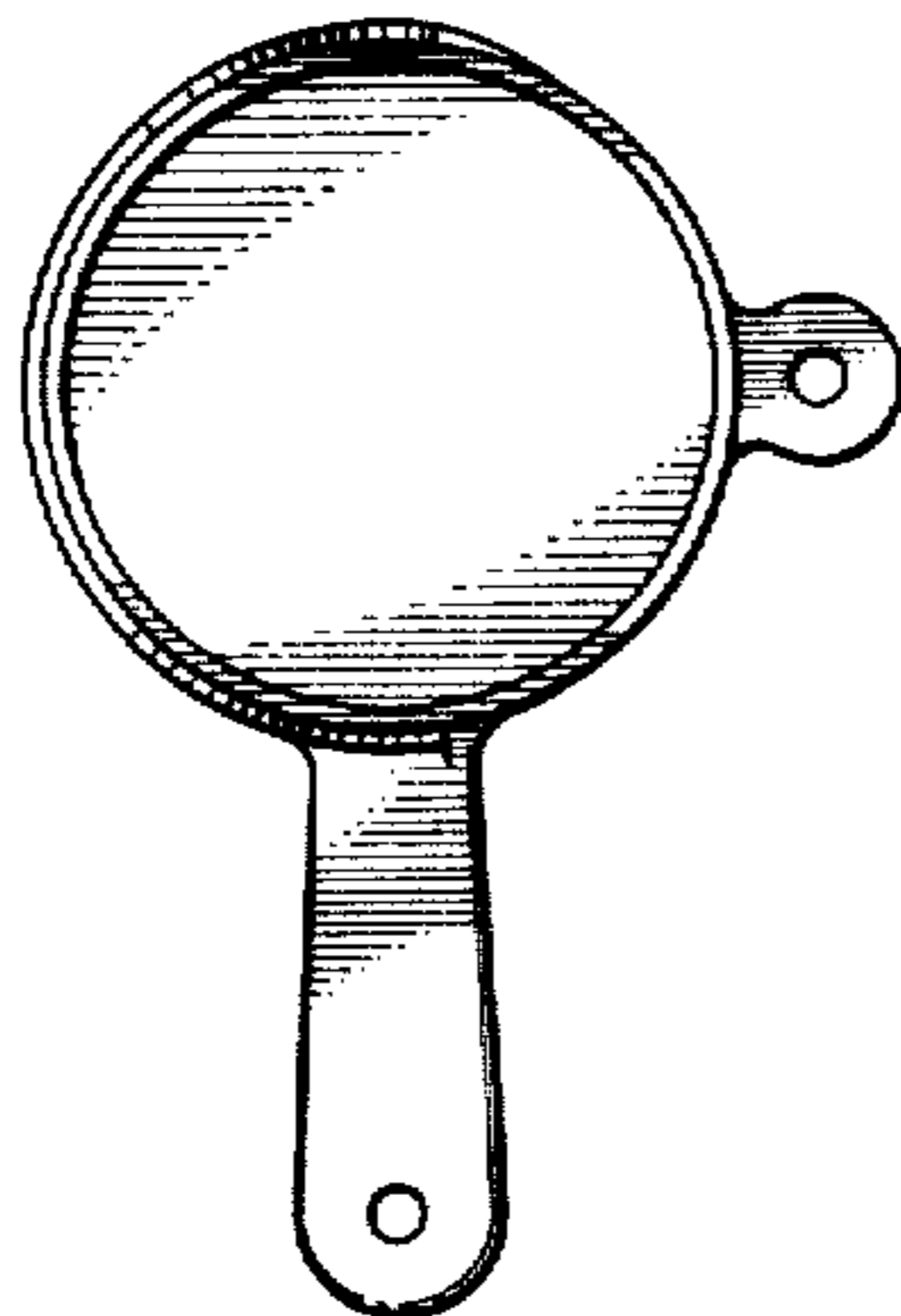
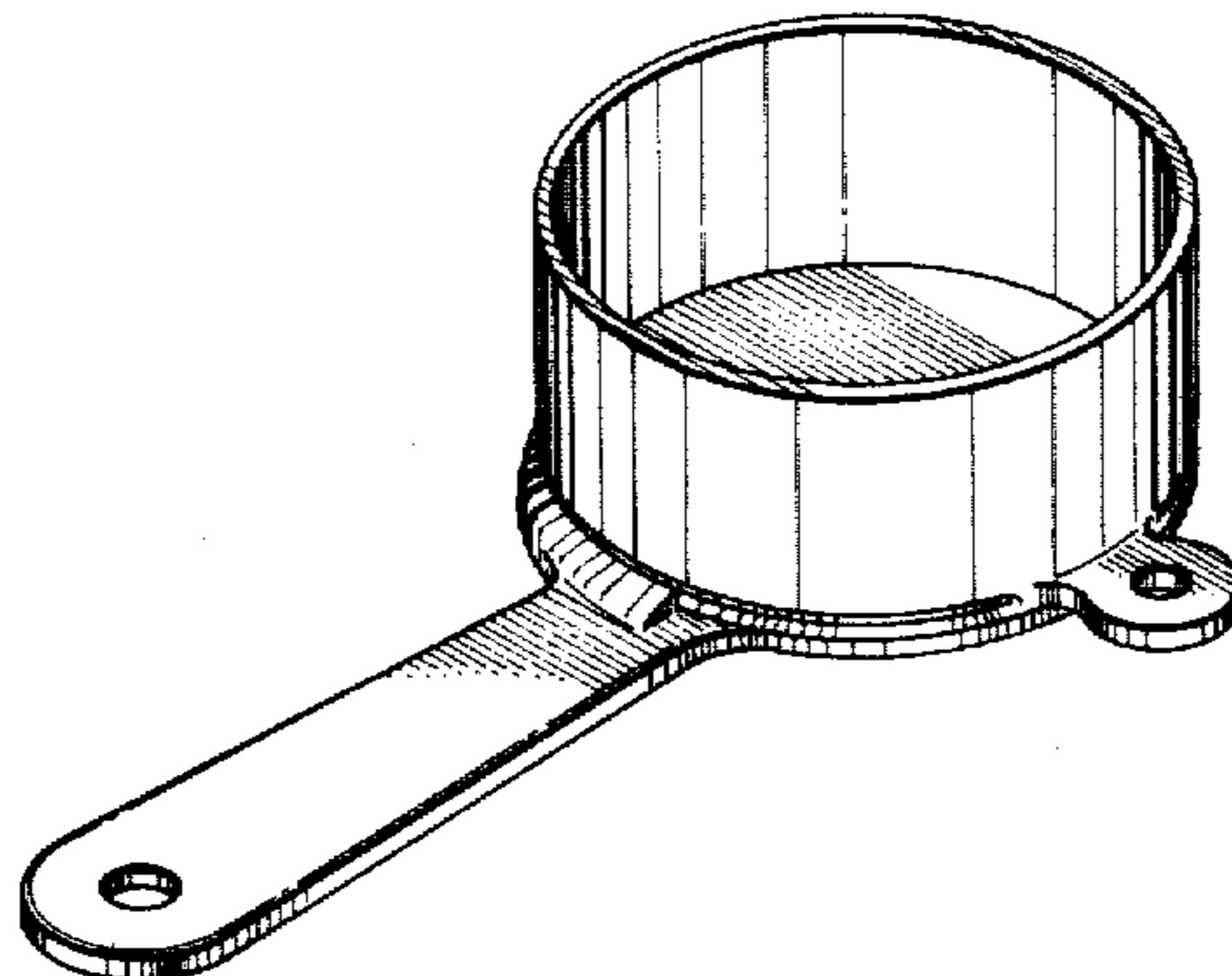
FIG. 2 is a top plan view thereof;

FIG. 3 is a side elevational view thereof;

FIG. 4 is a side elevational view thereof taken in the direction opposite to that of FIG. 3;

FIG. 5 is an end view thereof.

The bottom face of the removable bottom is planar.



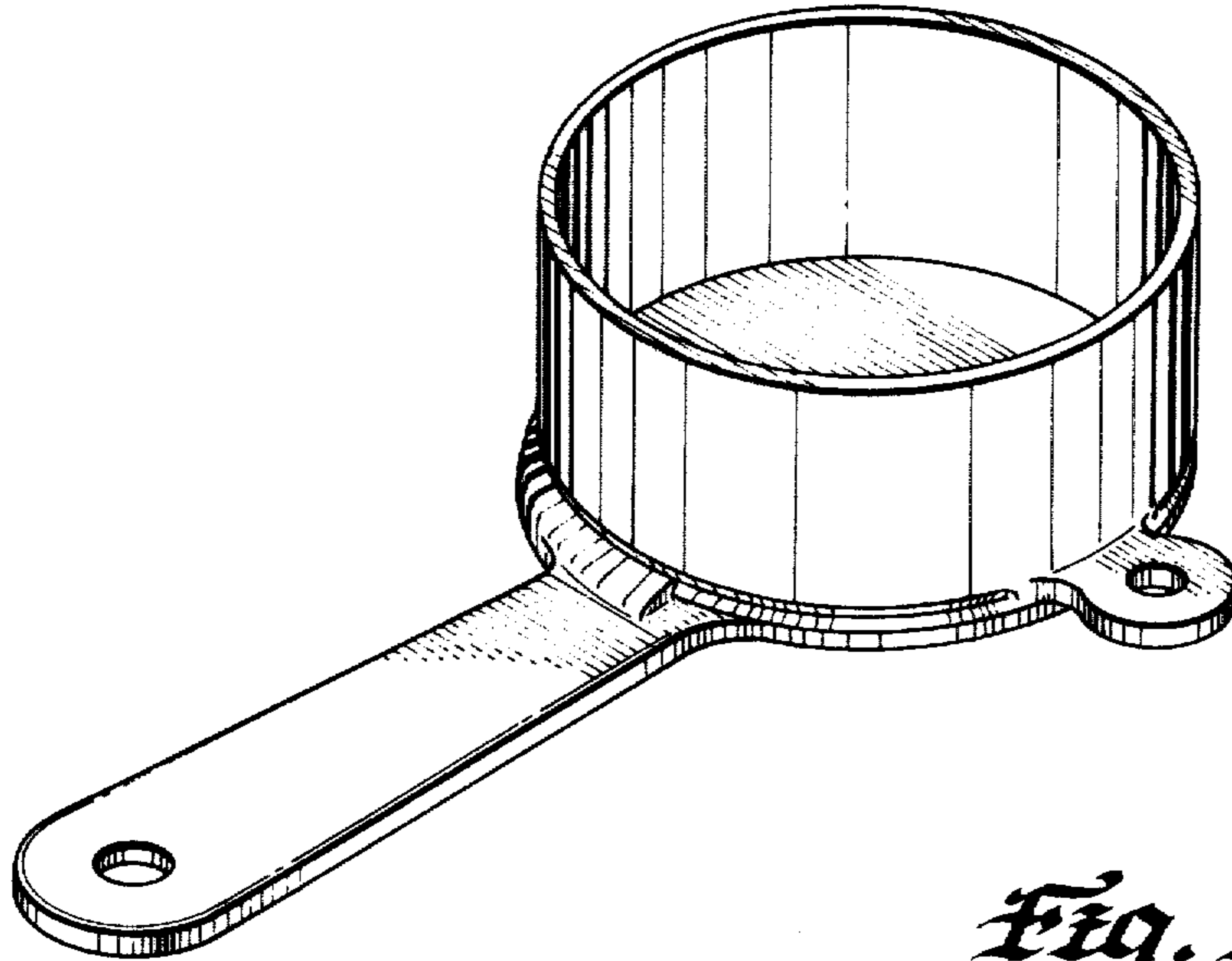


Fig. 1.

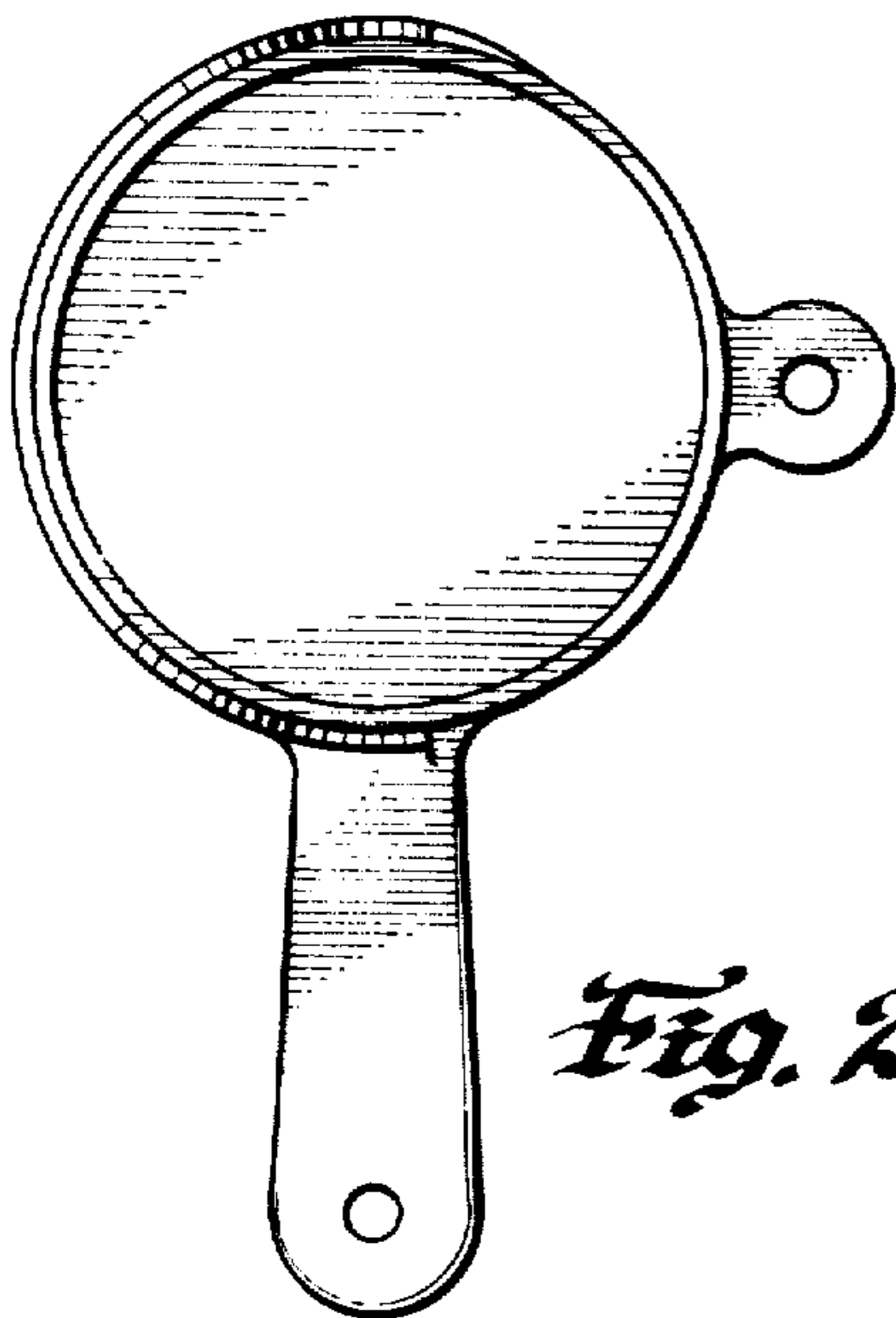


Fig. 2.

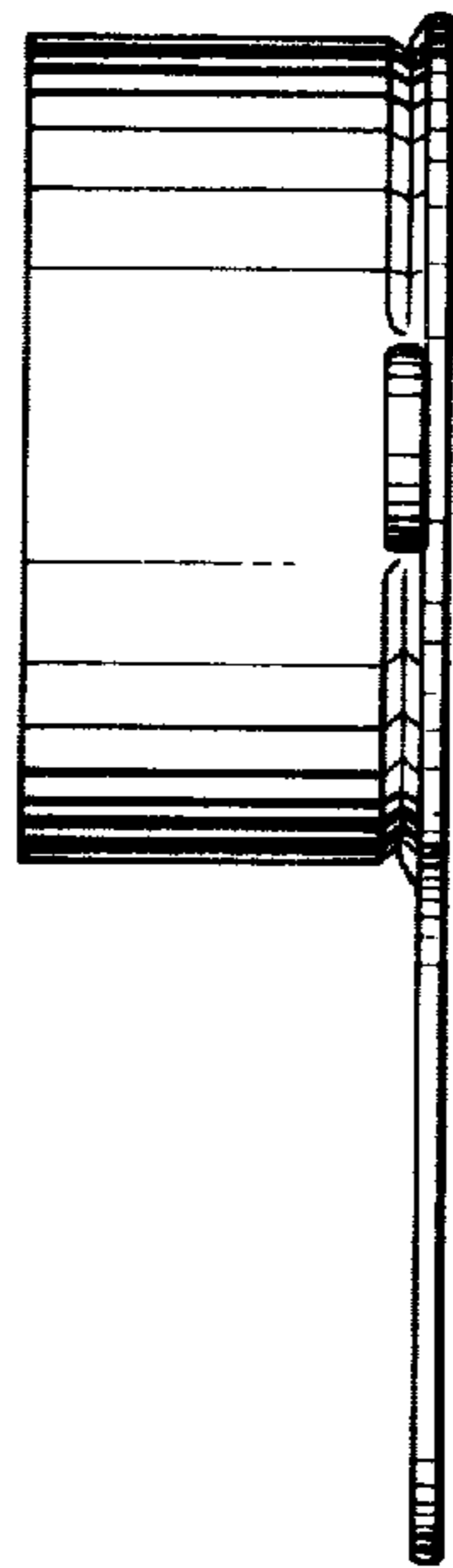


Fig. 3.

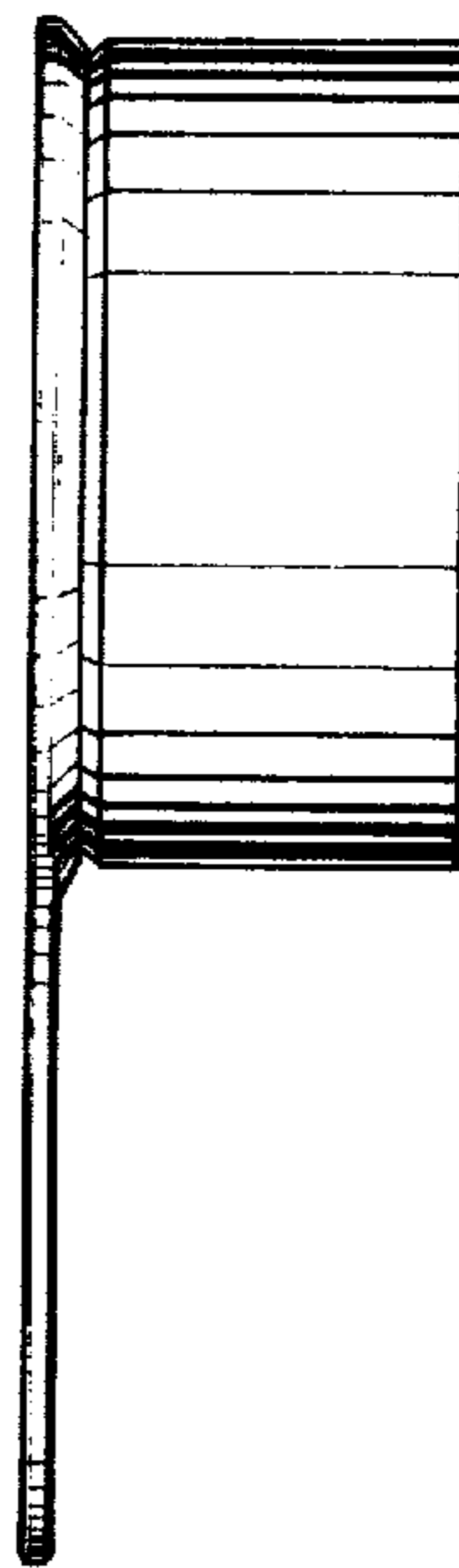


Fig. 4.

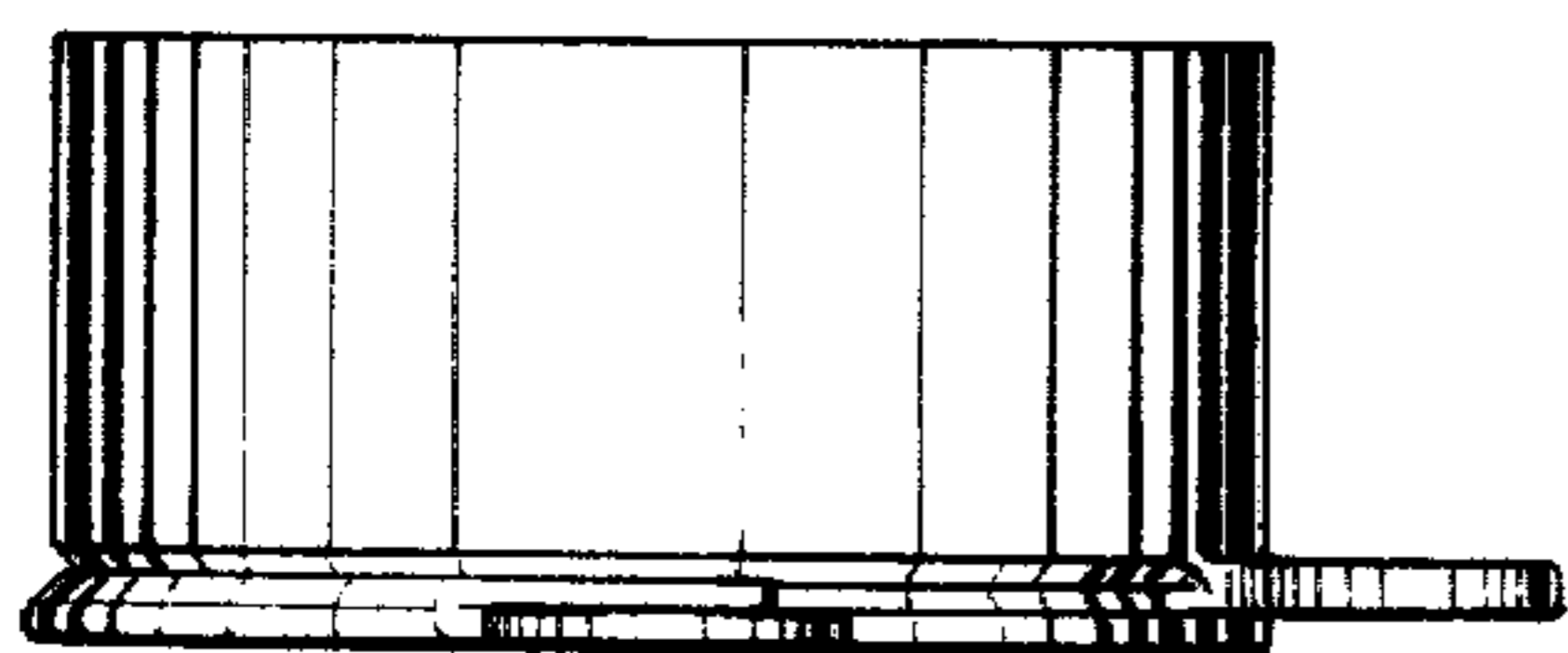


Fig. 5.