

[54] MEASURING RECEPTACLE WITH INSERT HELD REMOVABLE BOTTOM

2,080,210 5/1937 Mafra ..... 73/426  
4,154,109 5/1979 Kelson ..... D7/50 X

[76] Inventor: Shirley J. P. Kelson, 9238-35th Ave. SW., Seattle, Wash. 98126

Primary Examiner—Winifred E. Herrmann  
Attorney, Agent, or Firm—John O. Graybeal

[\*\*] Term: 14 Years

[57] CLAIM

[21] Appl. No.: 232,825

The ornamental design for a measuring receptacle with insert held removable bottom, as shown and described.

[22] Filed: Feb. 9, 1981

DESCRIPTION

[51] Int. Cl. .... D07—04; D10—04

FIG. 1 is a perspective view, with a portion broken away to show certain interior detail, of a measuring receptacle with insert held removable bottom, showing my new design;

[52] U.S. Cl. .... D7/50

[58] Field of Search ..... D7/50, 76, 99; 73/426, 73/429

FIG. 2 is a top plan view thereof;

FIG. 3 is a side elevational view thereof;

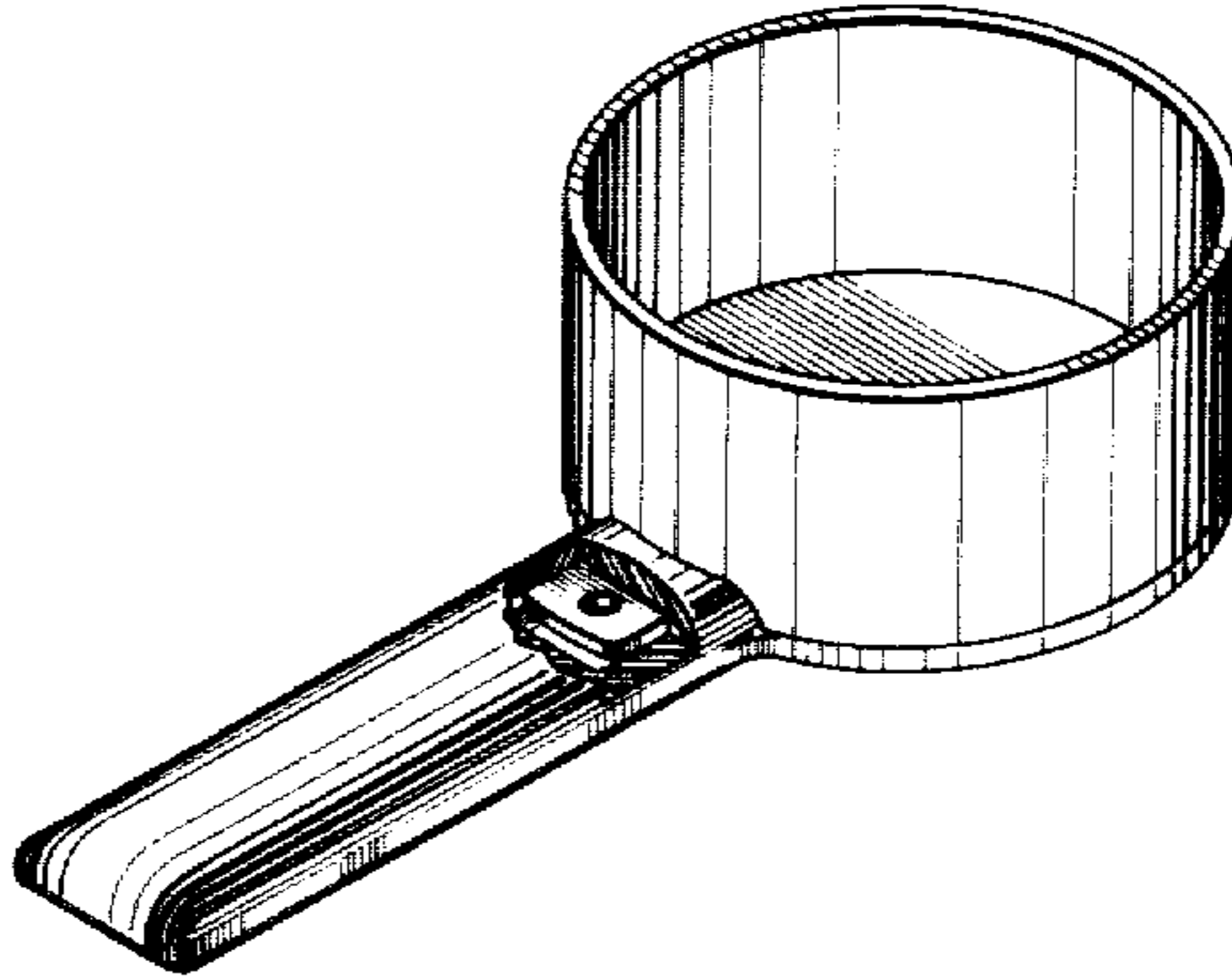
FIG. 4 is an end view thereof.

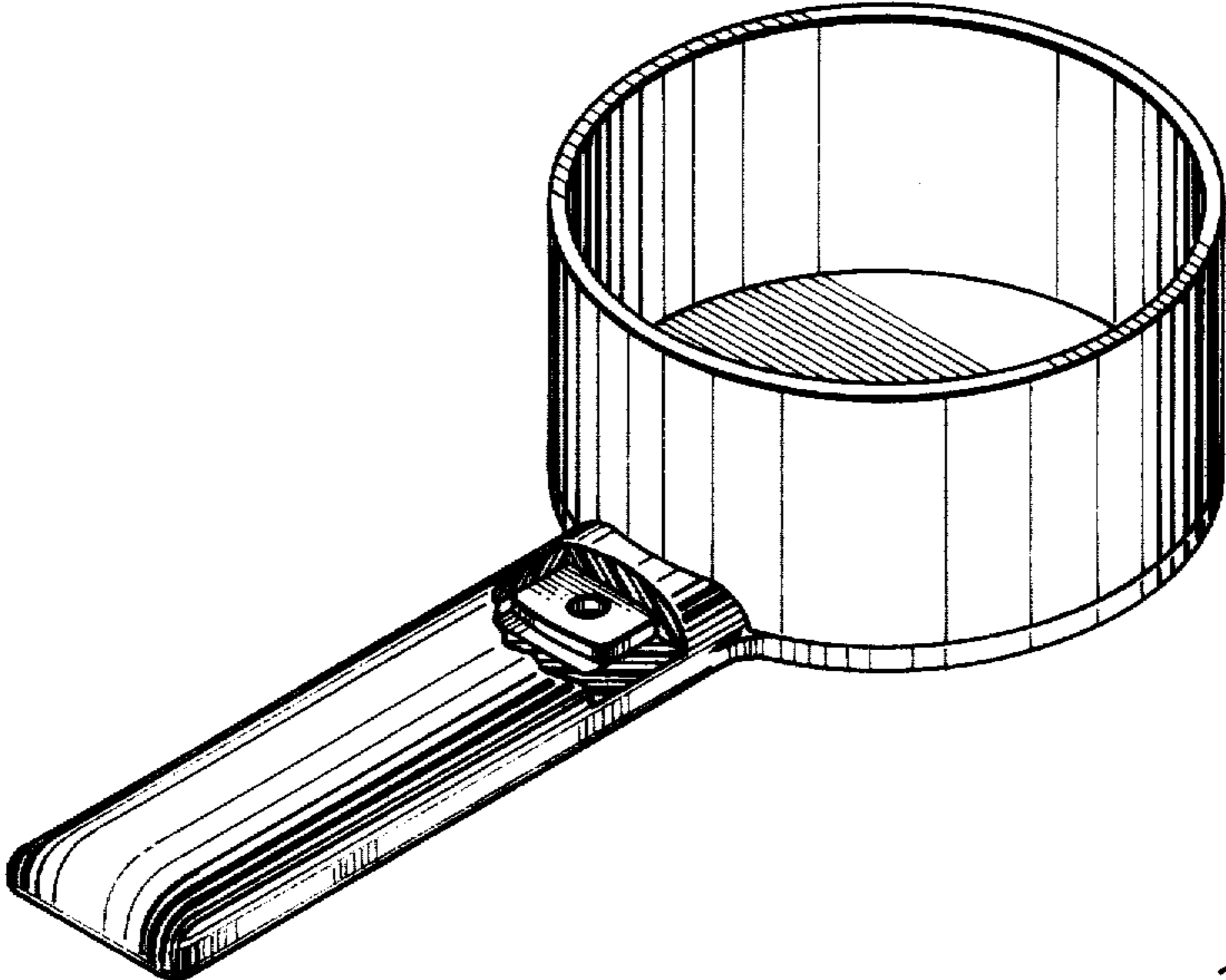
[56] References Cited

U.S. PATENT DOCUMENTS

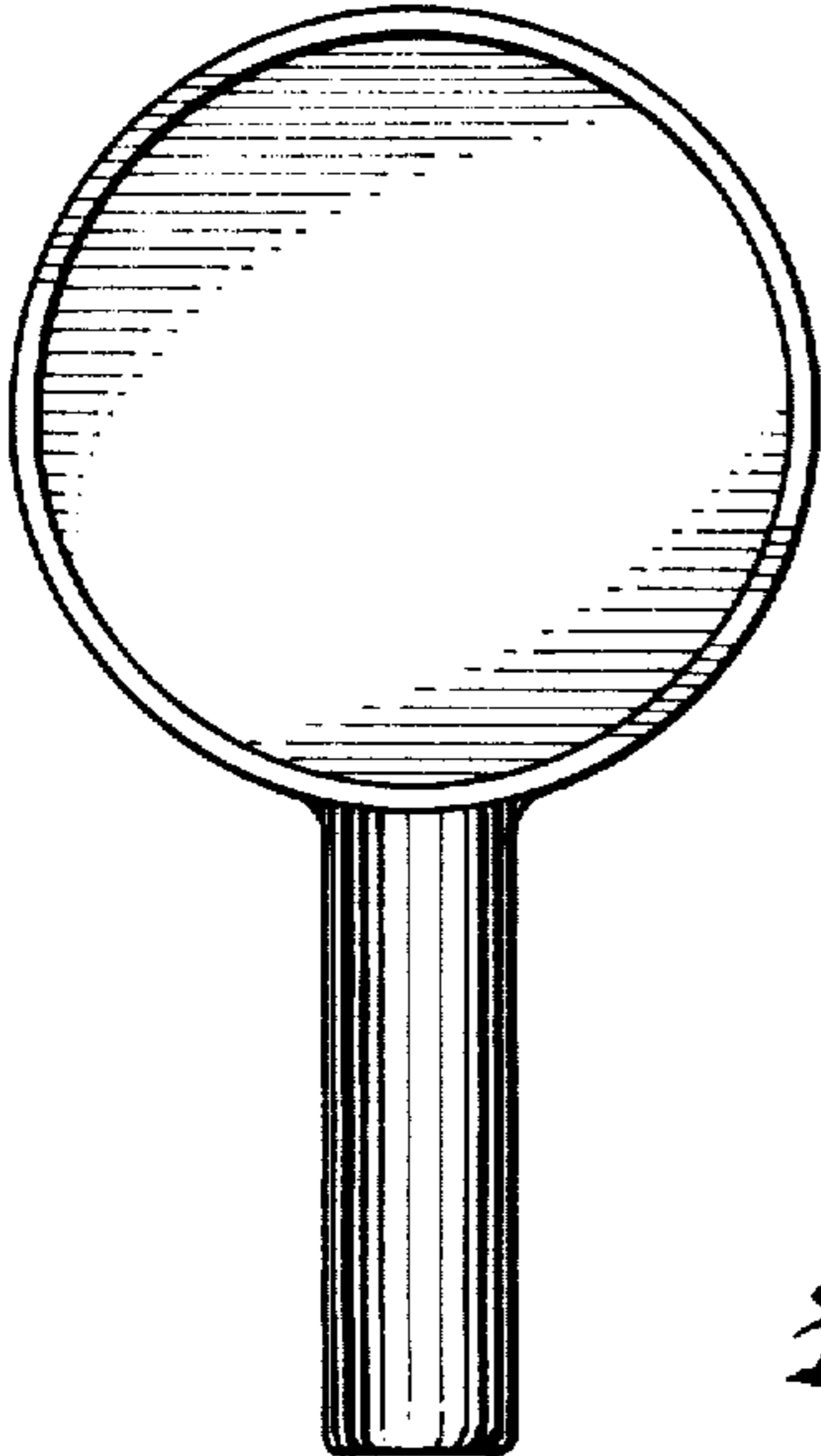
772,674 10/1904 Rommer ..... 73/426

The side not shown is the inverse of the side shown in FIG. 3.

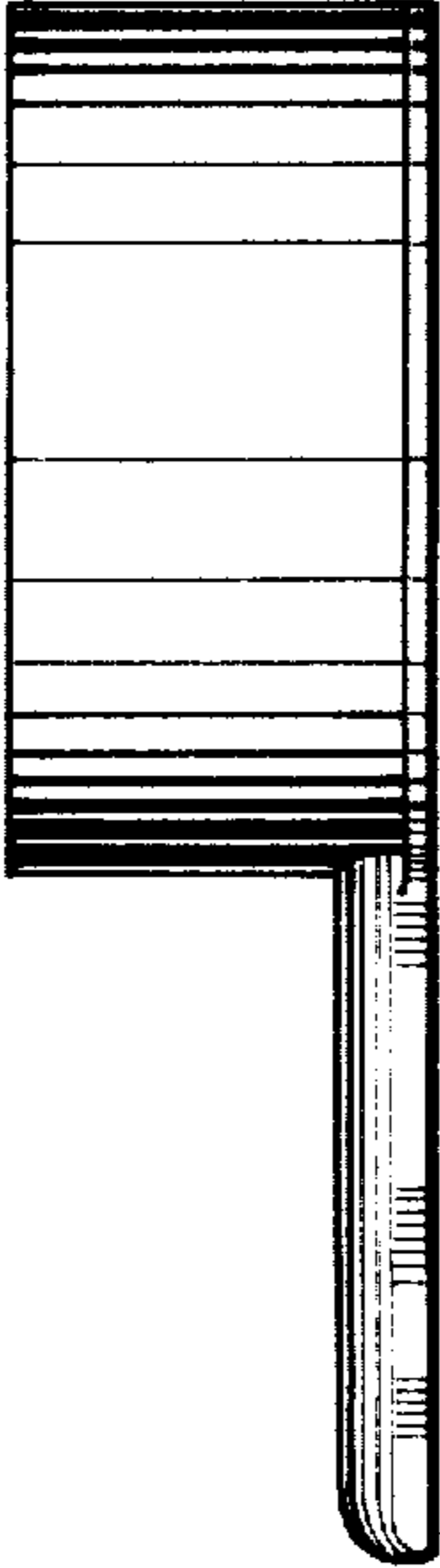




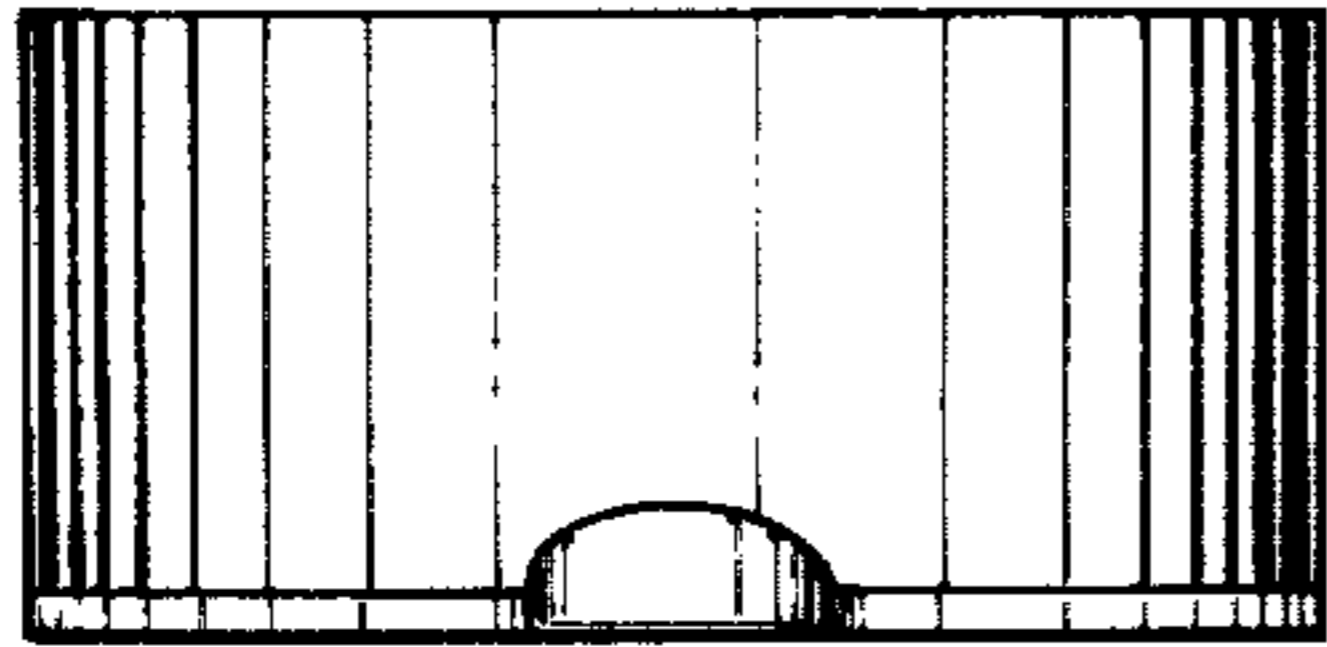
*Fig. 1.*



*Fig. 2.*



*Fig. 3.*



*Fig. 4.*