

[54] MEASURING RECEPTACLE WITH  
REMOVABLE BOTTOM

897,458 9/1908 Dickeson ..... 73/429  
3,030,812 4/1962 Lutz ..... 73/426  
4,154,109 5/1979 Kelson ..... D7/50 X

[76] Inventor: Shirley J. P. Kelson, 9238-35th Ave.  
SW., Seattle, Wash. 98126

Primary Examiner—Winifred E. Herrmann  
Attorney, Agent, or Firm—John O. Graybeal

[\*\*] Term: 14 Years

[57] CLAIM

[21] Appl. No.: 232,824

The ornamental design for a measuring receptacle with  
removable bottom, substantially as shown and de-  
scribed.

[22] Filed: Feb. 9, 1981

[51] Int. Cl. .... D07—04; D10—04

[52] U.S. Cl. .... D7/50

[58] Field of Search ..... D7/50, 76, 99; 73/426,  
73/429

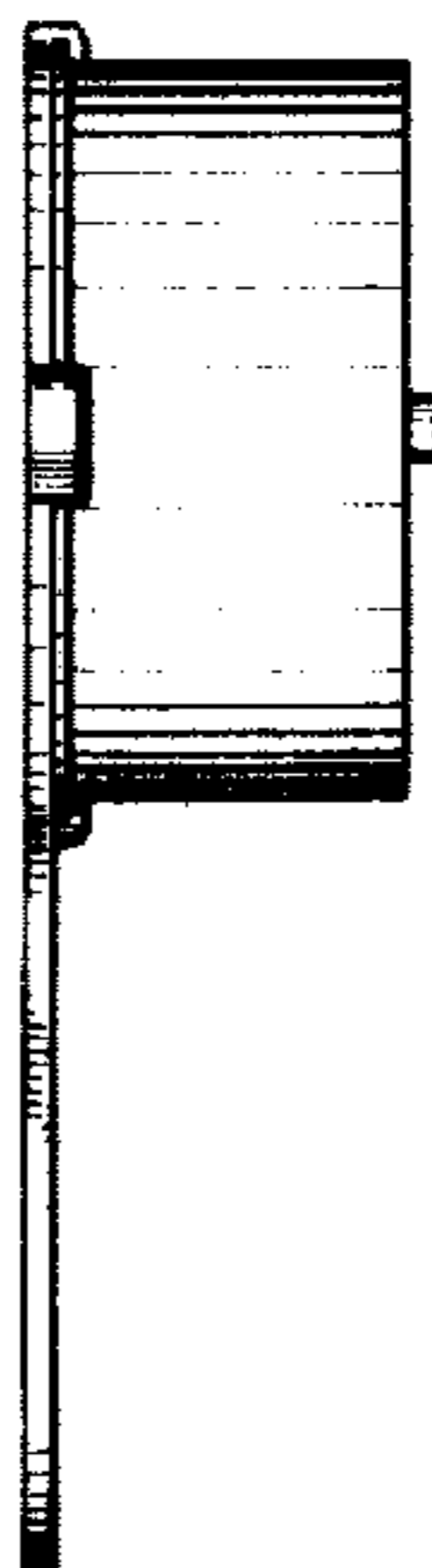
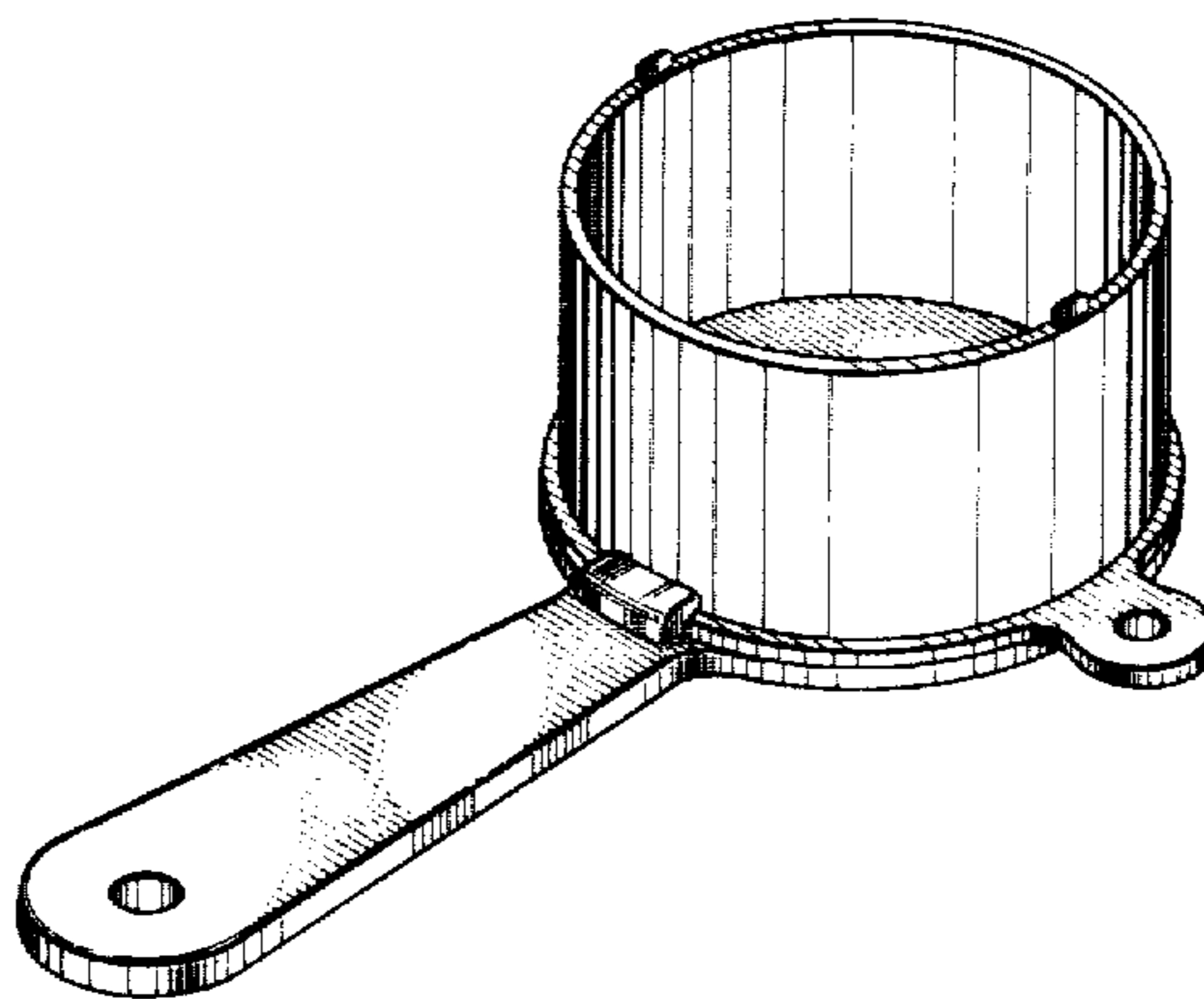
DESCRIPTION

FIG. 1 is a perspective view of a measuring receptacle  
with removable bottom showing my new design;  
FIG. 2 is a top plan view thereof;  
FIG. 3 is a side elevational view thereof;  
FIG. 4 is a side elevational view thereof taken in the  
direction opposite to that of FIG. 3;  
FIG. 5 is an end view thereof.  
The bottom face of the removable bottom is planar.

[56] References Cited

U.S. PATENT DOCUMENTS

93,231 8/1869 Rosbeck ..... 73/429  
772,674 10/1904 Rommer ..... 73/426



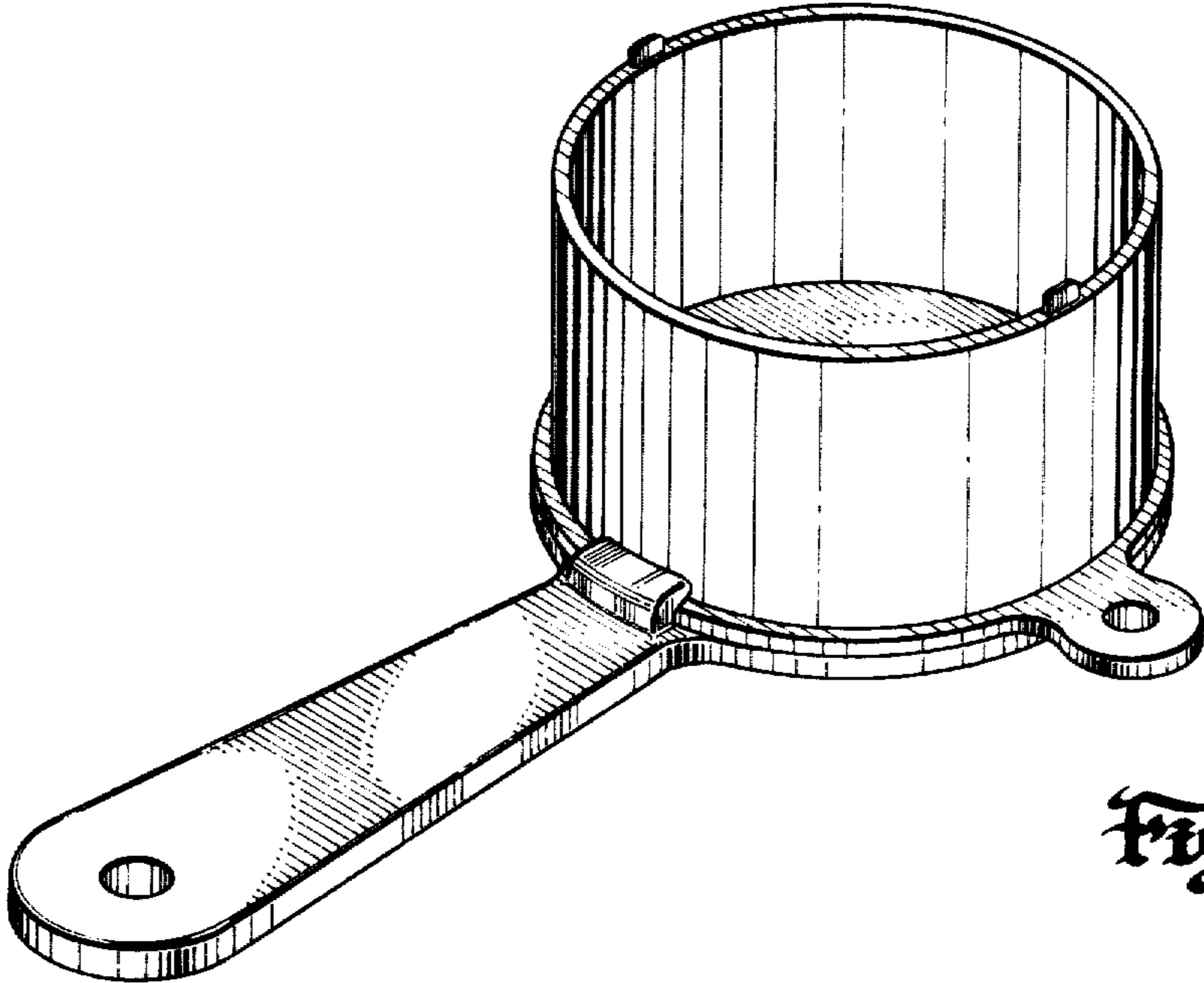


Fig. 1.

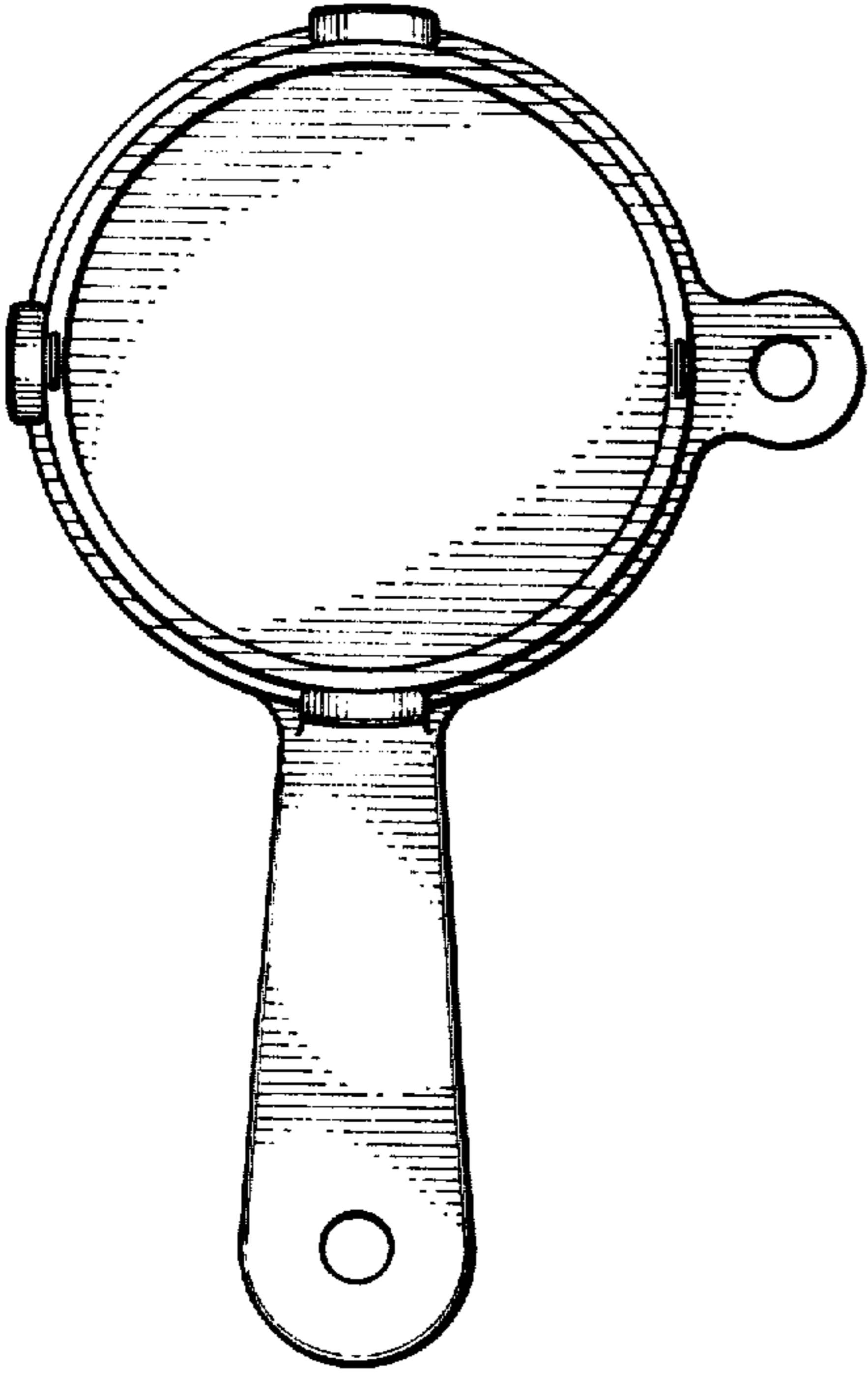


Fig. 2.

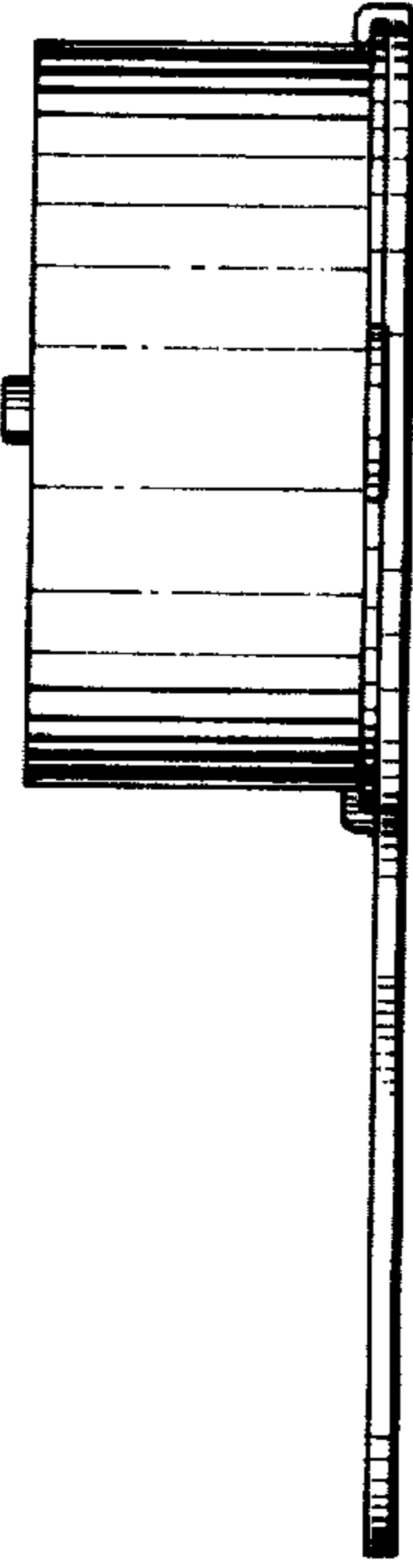


Fig. 3.

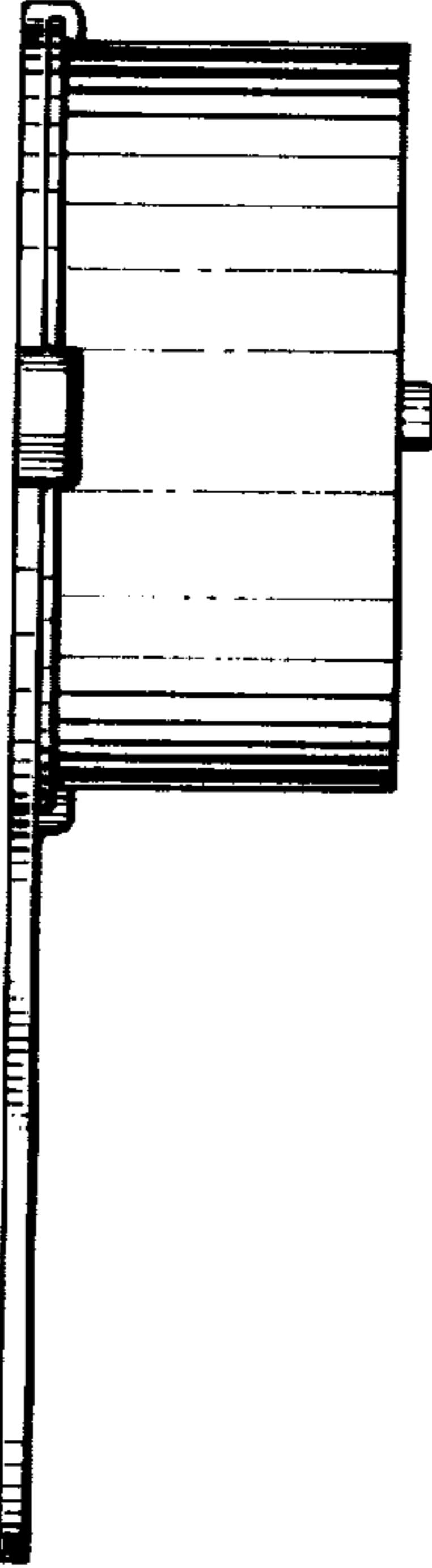


Fig. 4.

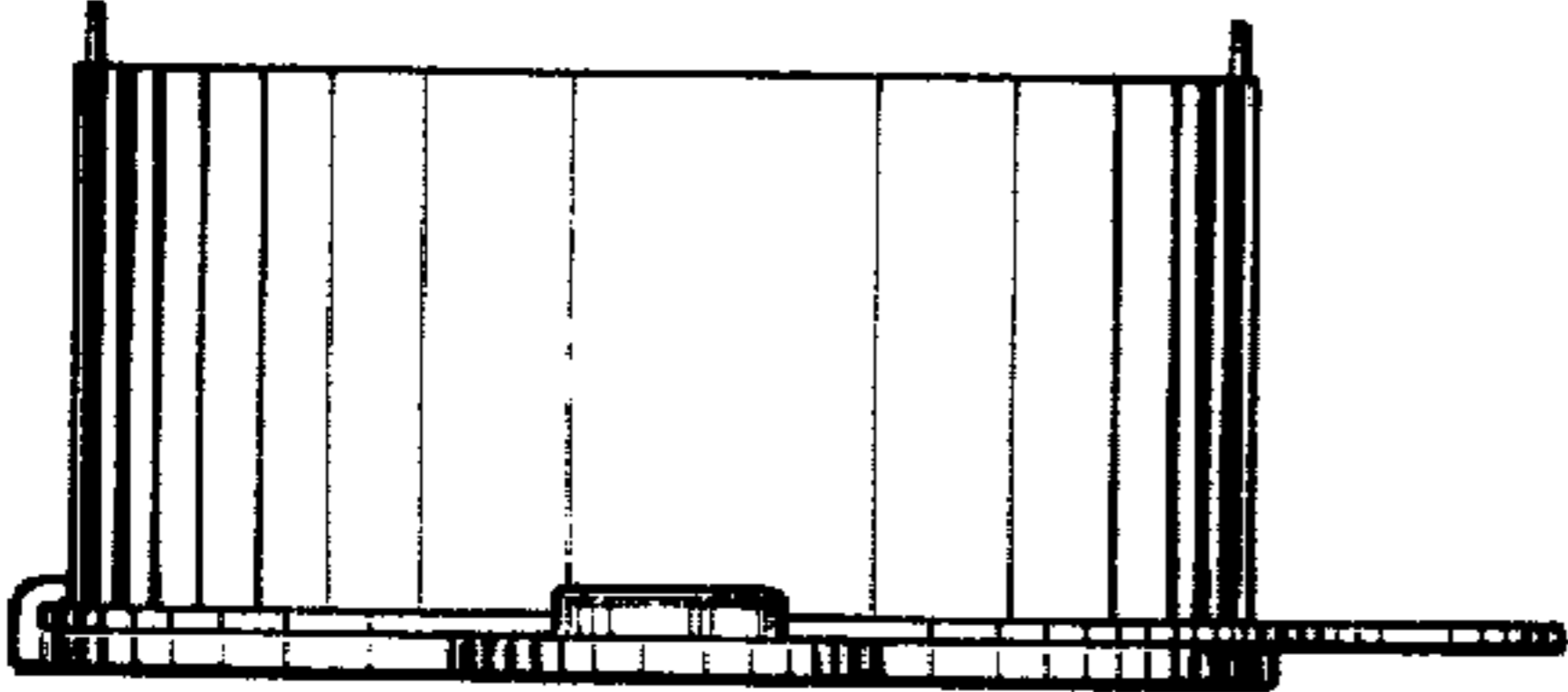


Fig. 5.