

[54] **COMBINED LEG AND MOUNTING MEMBER UNIT FOR A PEDESTAL DESK OR SIMILAR ARTICLE**

[75] Inventor: **Bruce A. Burdick**, San Francisco, Calif.  
 [73] Assignee: **Herman Miller, Inc.**, Zeeland, Mich.  
 [\*\*] Term: **14 Years**  
 [21] Appl. No.: **192,941**  
 [22] Filed: **Oct. 3, 1980**

[51] Int. Cl. .... **D6-06**  
 [52] U.S. Cl. .... **D6/191**  
 [58] Field of Search ..... **D6/161, 162, 191, 192, D6/196; 108/9; 248/228; 312/195, 277, 350**

[56] **References Cited**

**U.S. PATENT DOCUMENTS**

48,854	7/1865	Ustick	108/9
D. 198,212	5/1964	Kasparian	D6/196
D. 225,709	1/1973	Pace	D6/191
D. 261,459	10/1981	Berman et al.	D6/161 X
3,104,138	9/1963	Renaud	312/195
3,125,387	3/1964	Abrahamson	D6/161 X
3,666,339	5/1972	Neufeld	312/277
3,712,698	1/1973	Propst et al.	312/350
3,955,788	5/1976	De Lage	248/228

**OTHER PUBLICATIONS**

Sunar Publication, RS1578, Desk Unit by Douglas Ball.  
 Sunar Publication, RS2578, Desk Unit by Douglas Ball.

Sunar Publication, RS3578, Desk Units by Douglas Ball.

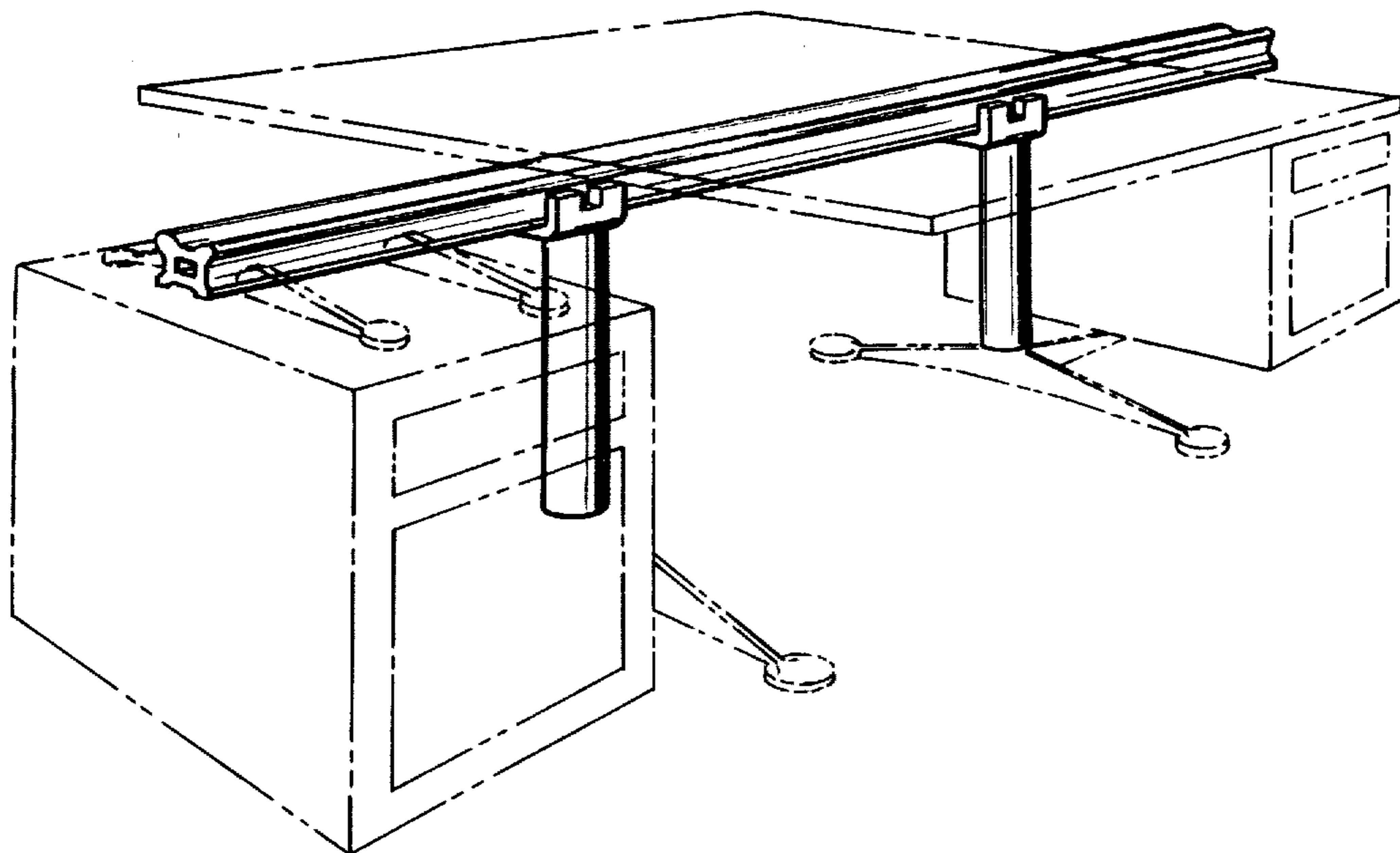
*Primary Examiner*—Bruce W. Dunkins  
*Attorney, Agent, or Firm*—Varnum, Riddering, Wierengo & Christenson

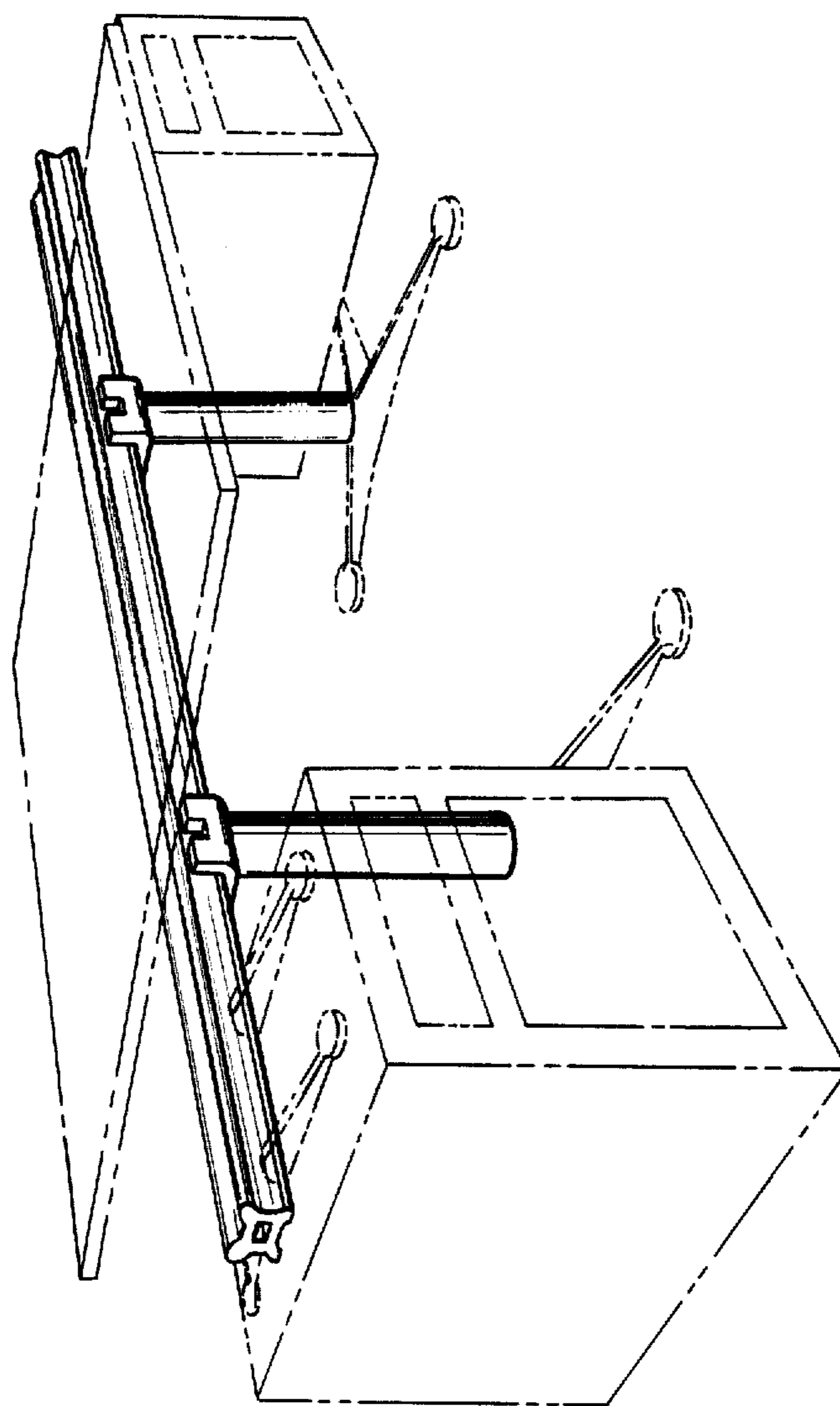
[57] **CLAIM**

The ornamental design for a combined leg and mounting member unit for a pedestal desk or similar article, as shown and described.

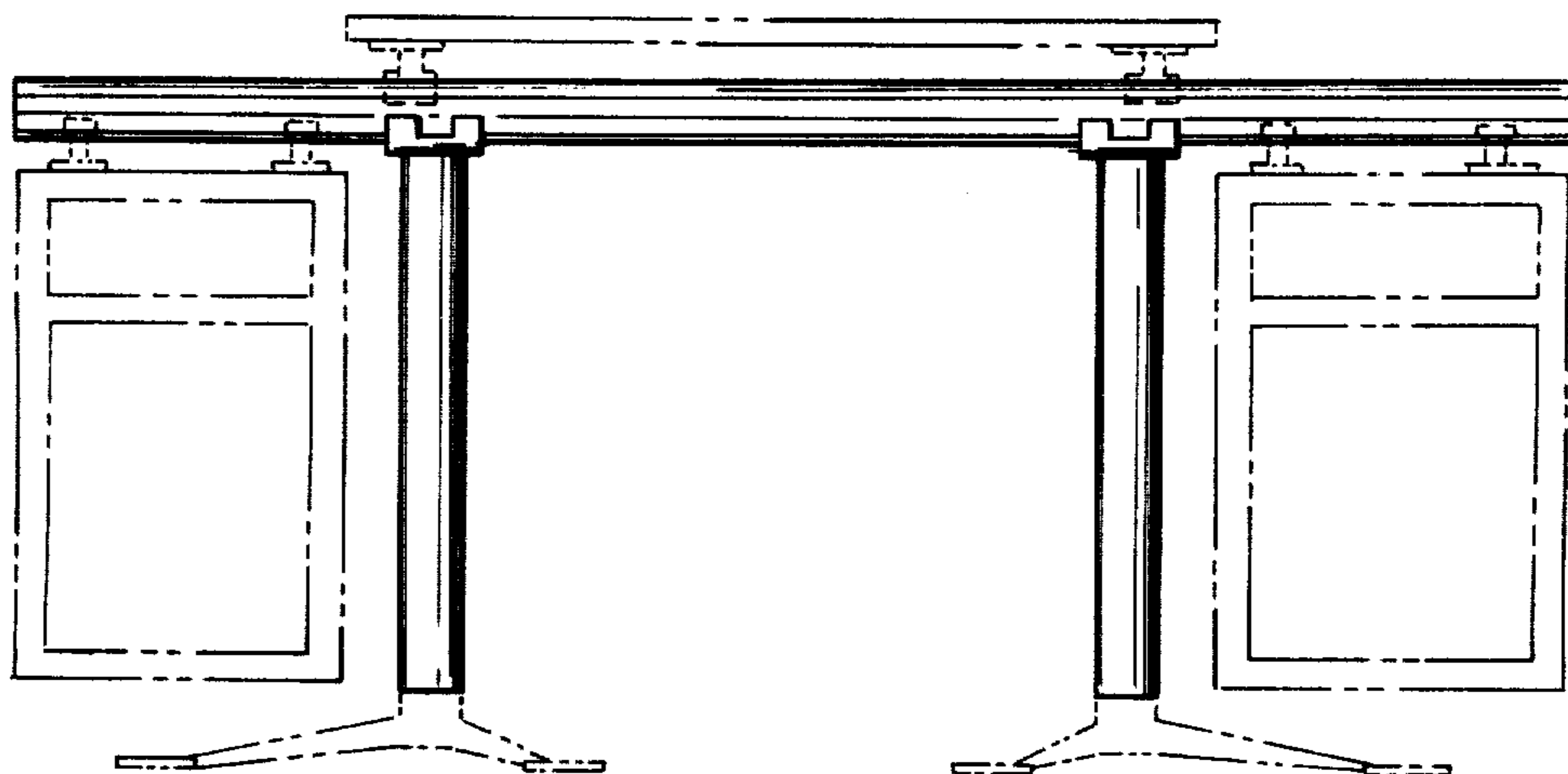
**DESCRIPTION**

FIG. 1 is a front perspective view of a combined leg and mounting member unit for a pedestal desk or similar article showing my design; FIG. 2 is a view in front elevation; FIG. 3 is an elevational view showing one of the two identical ends on an enlarged scale; FIG. 4 is a top plan view; and FIG. 5 is a front perspective view of a modified form of the combined leg and mounting member unit for a pedestal desk or similar article shown in FIG. 1. The broken lines shown in the drawing are for illustrative purposes only. The drawings comprise phantom representations of various furniture components for the purpose of illustrating the environment in which my design can be used. Specifically, the furniture components shown in FIGS. 1-5 include cabinets, desk tops, pedestal bases and connecting brackets. The structure of the furniture components shown in broken lines is not part of the design sought to be patented.

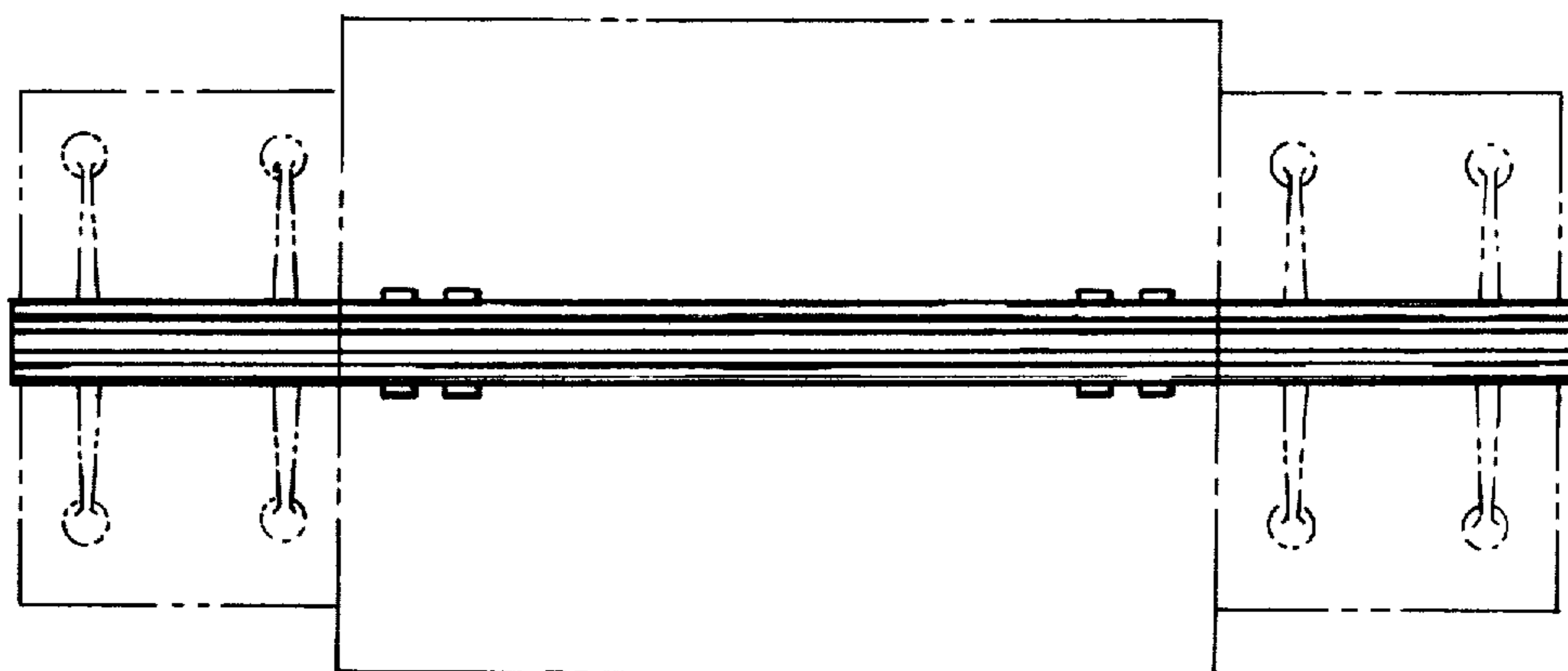




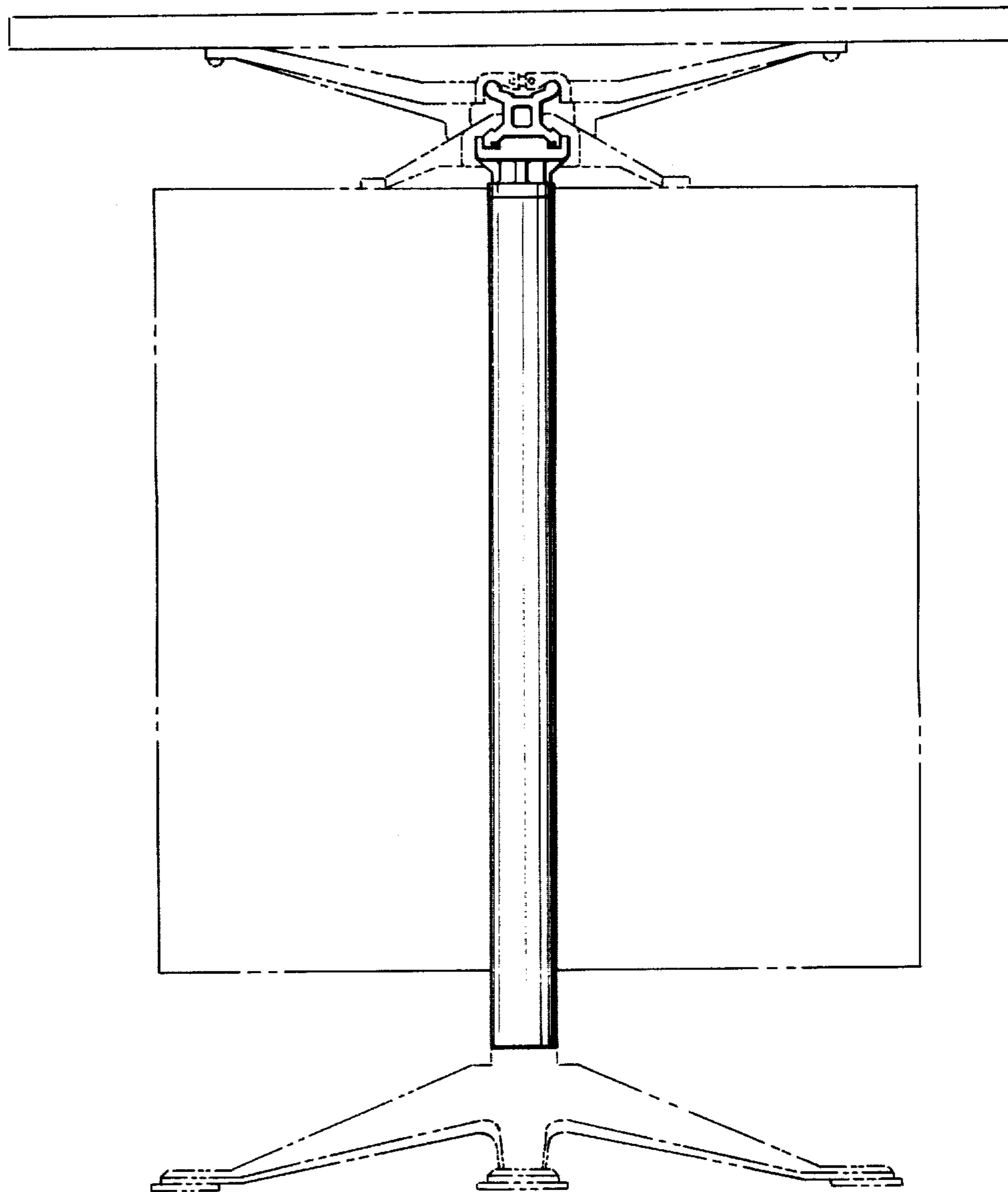
**FIG. 1**



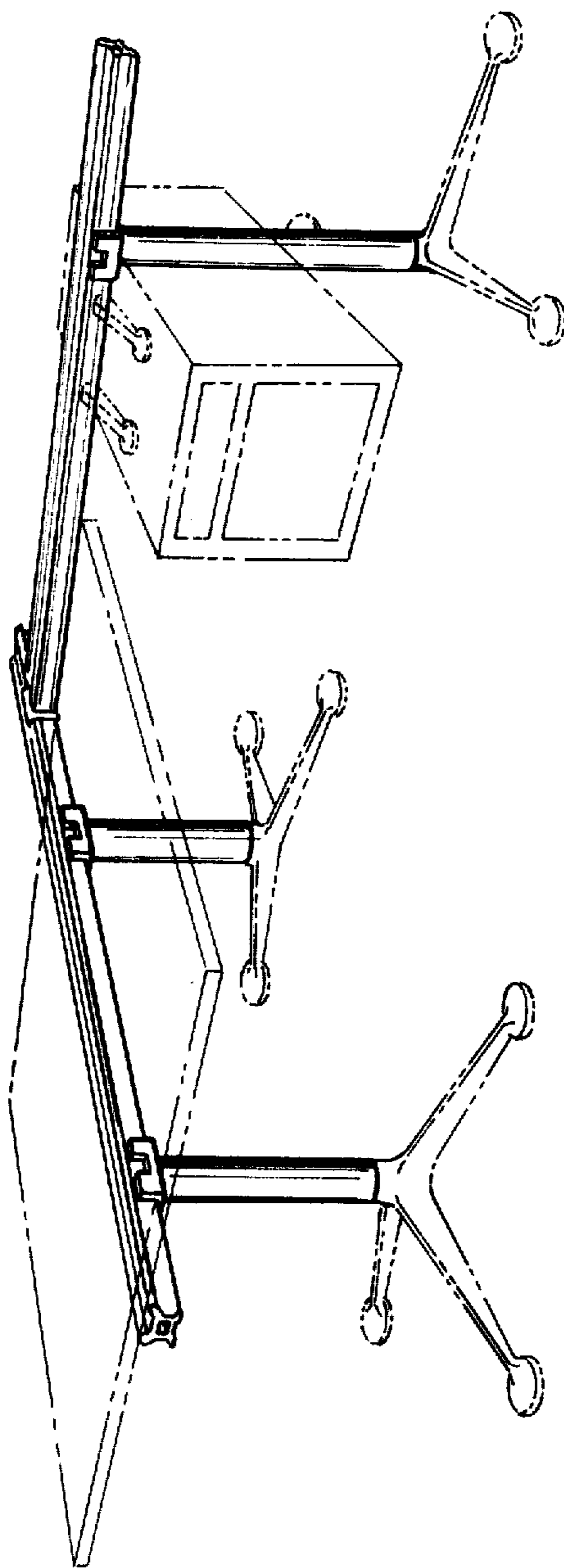
**FIG. 2**



**FIG. 4**



**FIG. 3**



**FIG. 5**