

[54] MULTIPLE SEATING UNIT

[75] Inventor: Jeffrey R. Fear, Toronto, Canada

[73] Assignee: Innovative Metal Inc., Rexdale, Canada

[\*\*] Term: 14 Years

[21] Appl. No.: 17,308

[22] Filed: Mar. 5, 1979

[30] Foreign Application Priority Data

Jan. 26, 1979 [CA] Canada ..... 26-01-79-5

[51] Int. Cl. .... D6-01

[52] U.S. Cl. .... D6/59

[58] Field of Search ..... D6/47-78;  
297/160, 232, 244, 457

[56] References Cited

U.S. PATENT DOCUMENTS

D. 187,919	5/1960	Barecki	.....	D6/59
D. 190,908	7/1961	Kasparian	.....	D6/59
D. 194,974	4/1963	Kasparian	.....	D6/59
D. 220,389	4/1971	Kramer	.....	D6/59
D. 240,679	7/1976	Bernard	.....	D6/31
D. 253,859	6/1980	Hosoe	.....	D6/59
D. 255,963	7/1980	Baker	.....	D6/59 X
3,884,524	5/1975	Eberle	.....	297/160
4,081,199	3/1978	Blodee	.....	297/232

OTHER PUBLICATIONS

Design Cat., Nov. 1978, p. 38, Multiple Seating Unit at center.

Interiors, 6-1978, p. 83, Chair by Kinetics.

Interiors, 9-1976, p. 99, Seating Unit top right by Thonet.

Primary Examiner—Bruce W. Dunkins  
Attorney, Agent, or Firm—Rogers, Bereskin & Parr

[57] CLAIM

The ornamental design for a multiple seating unit, as shown and described.

DESCRIPTION

FIG. 1 is a front perspective view of a multiple seating unit showing my design; and

FIG. 2 is a rear perspective view thereof taken from below.

FIG. 3 is a front perspective view of a modified form of my design; and

FIG. 4 is a rear perspective view thereof taken from below.

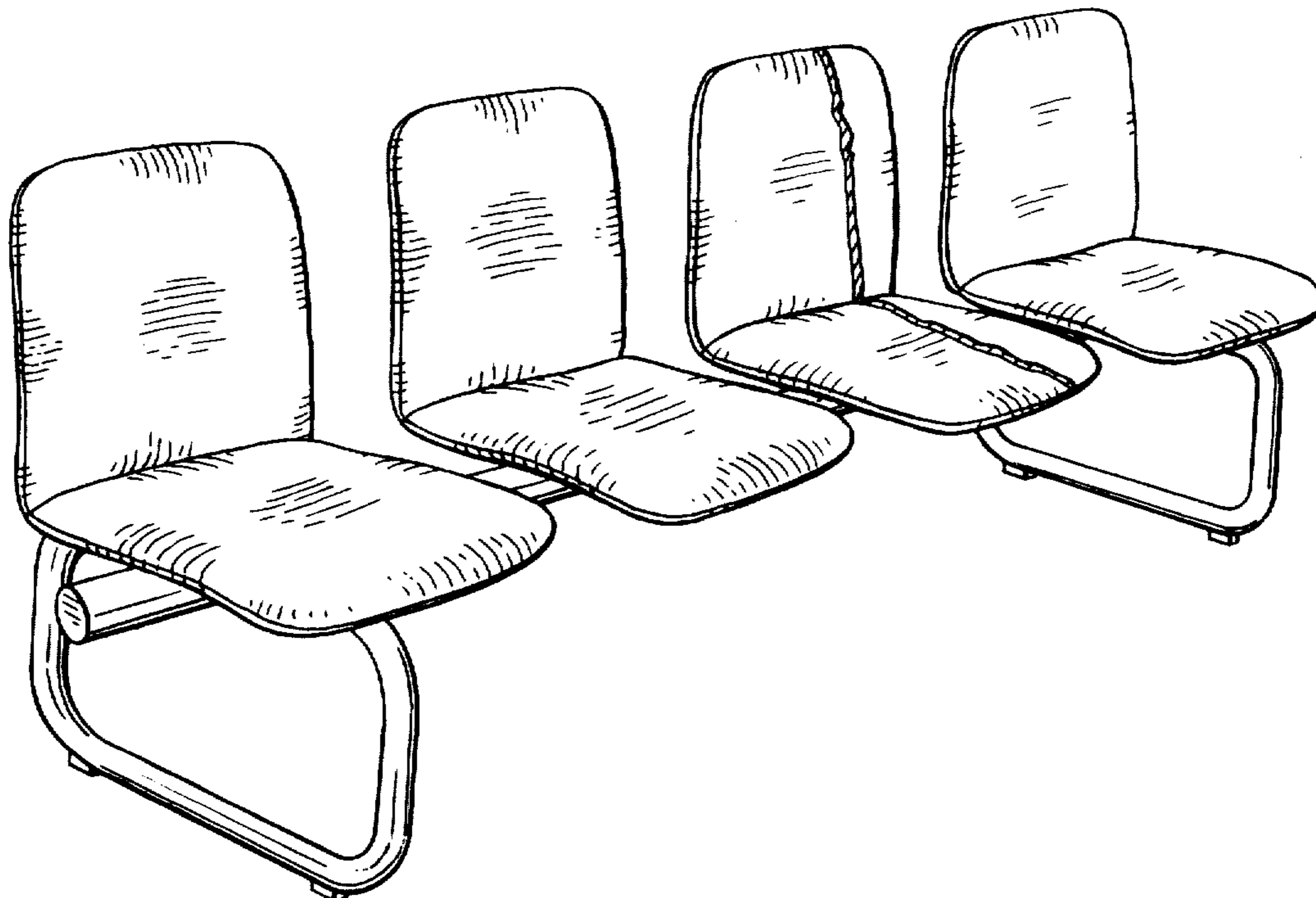
FIG. 5 is a perspective view of another modified form of my multiple seating unit; and

FIG. 6 is a perspective view of the other side and end thereof taken from below.

FIG. 7 is another modified form of my multiple seating unit design; and

FIG. 8 is a perspective view showing the other side and end thereof taken from below.

The surfaces of the seat and backrest cushions, not shown in FIGS. 5 and 7, are the same in appearance as the seat and backrest surfaces shown. The seating units are shown broken away to indicate indeterminate length.



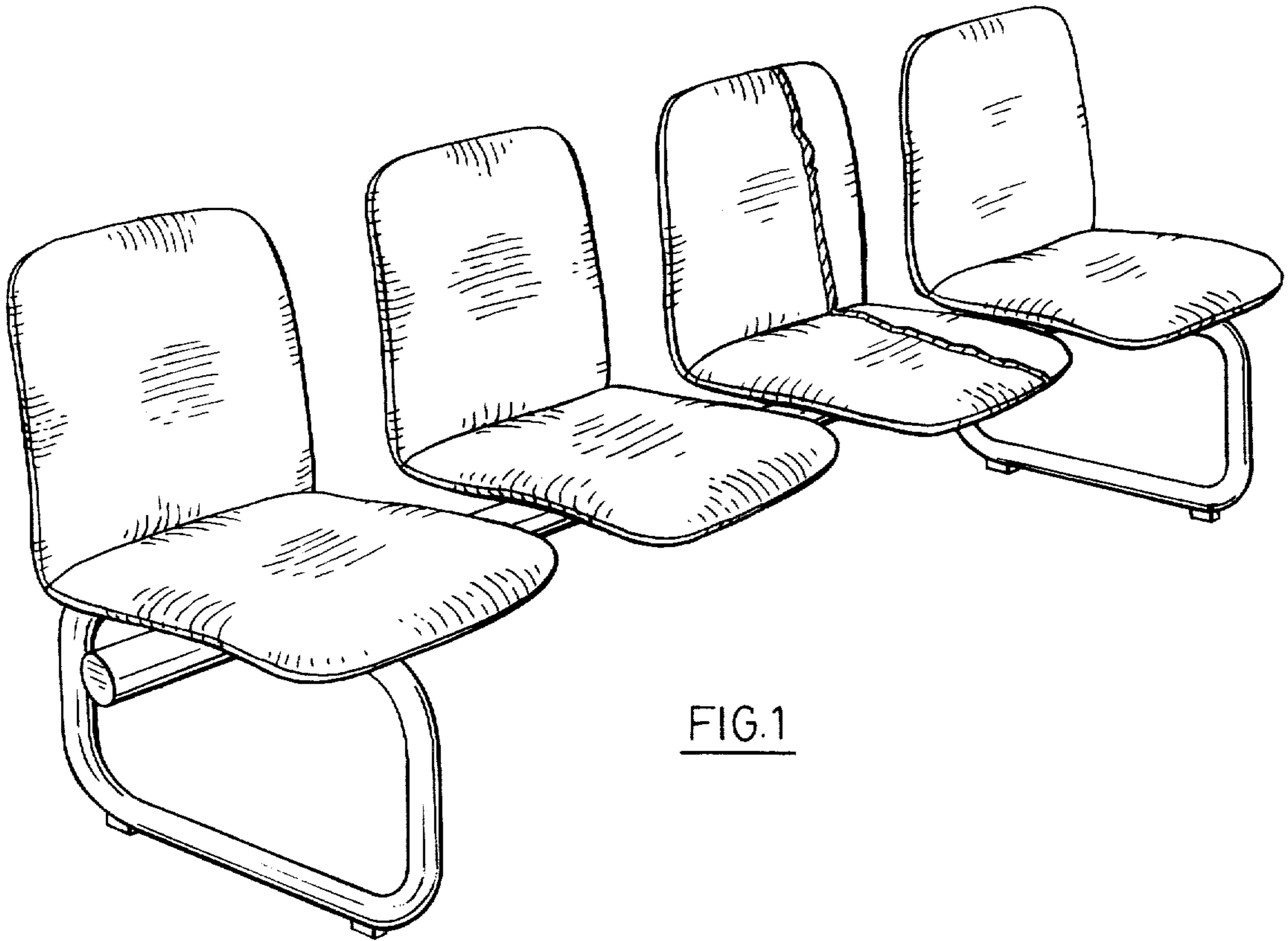


FIG. 1

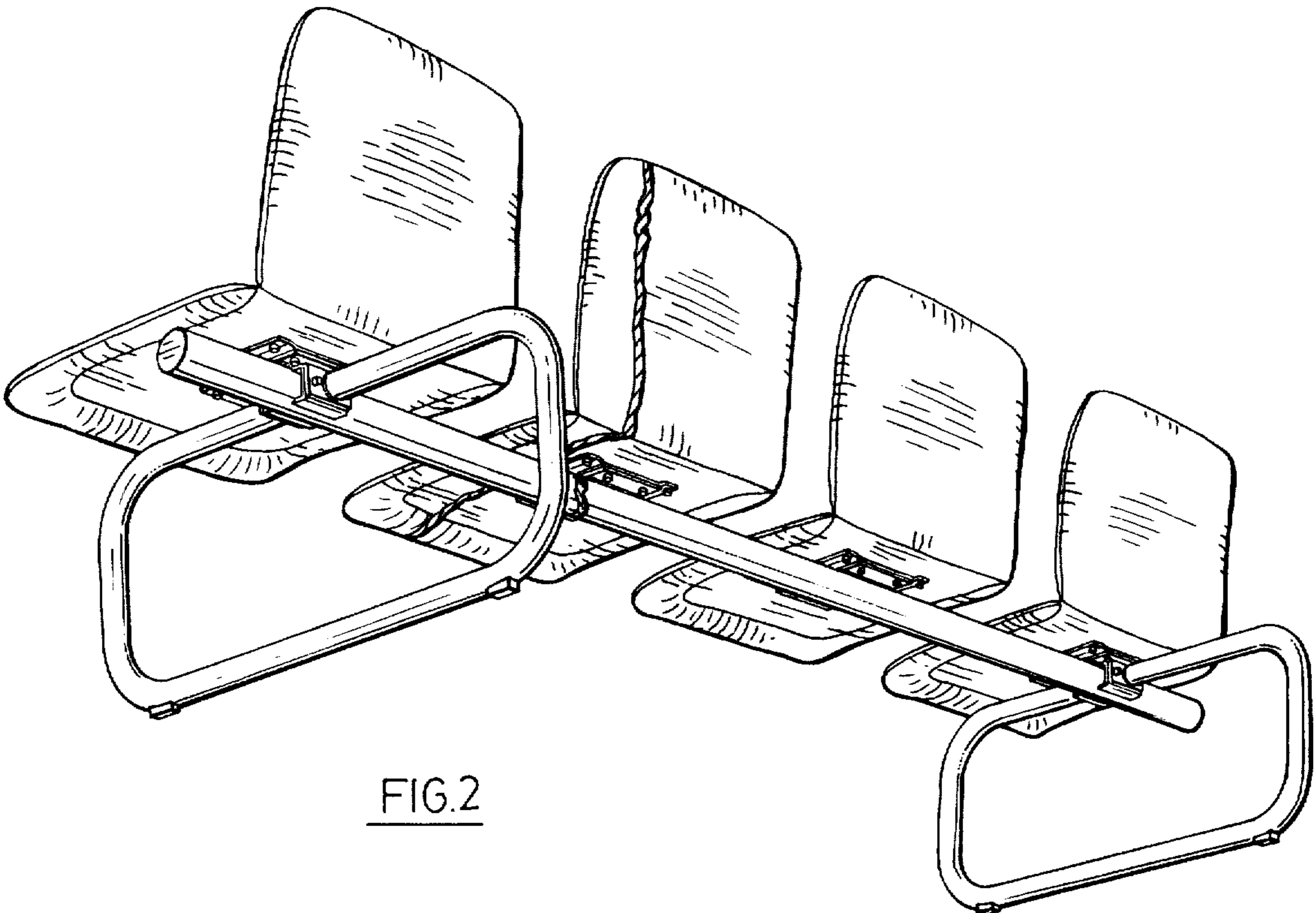


FIG. 2

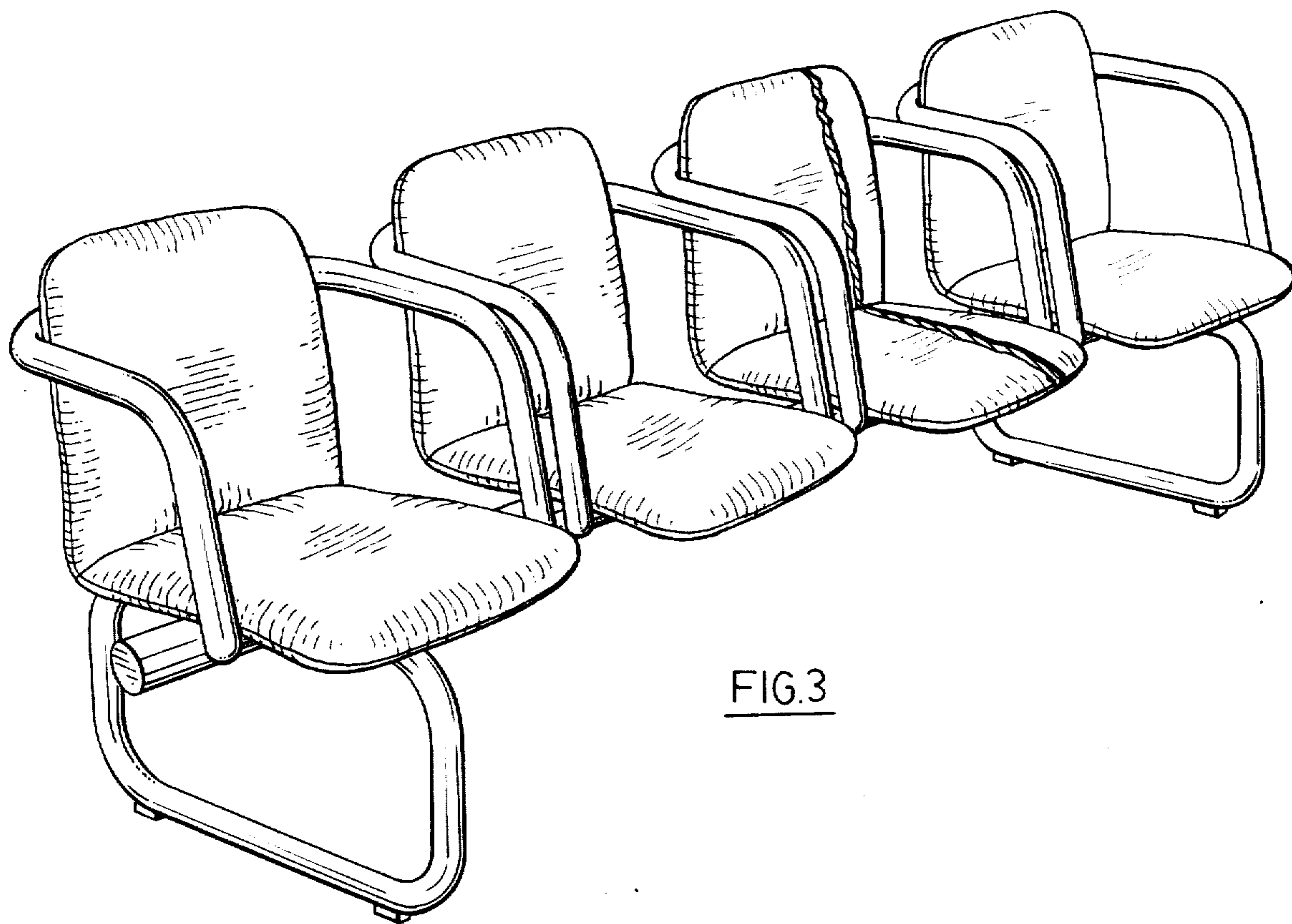


FIG. 3

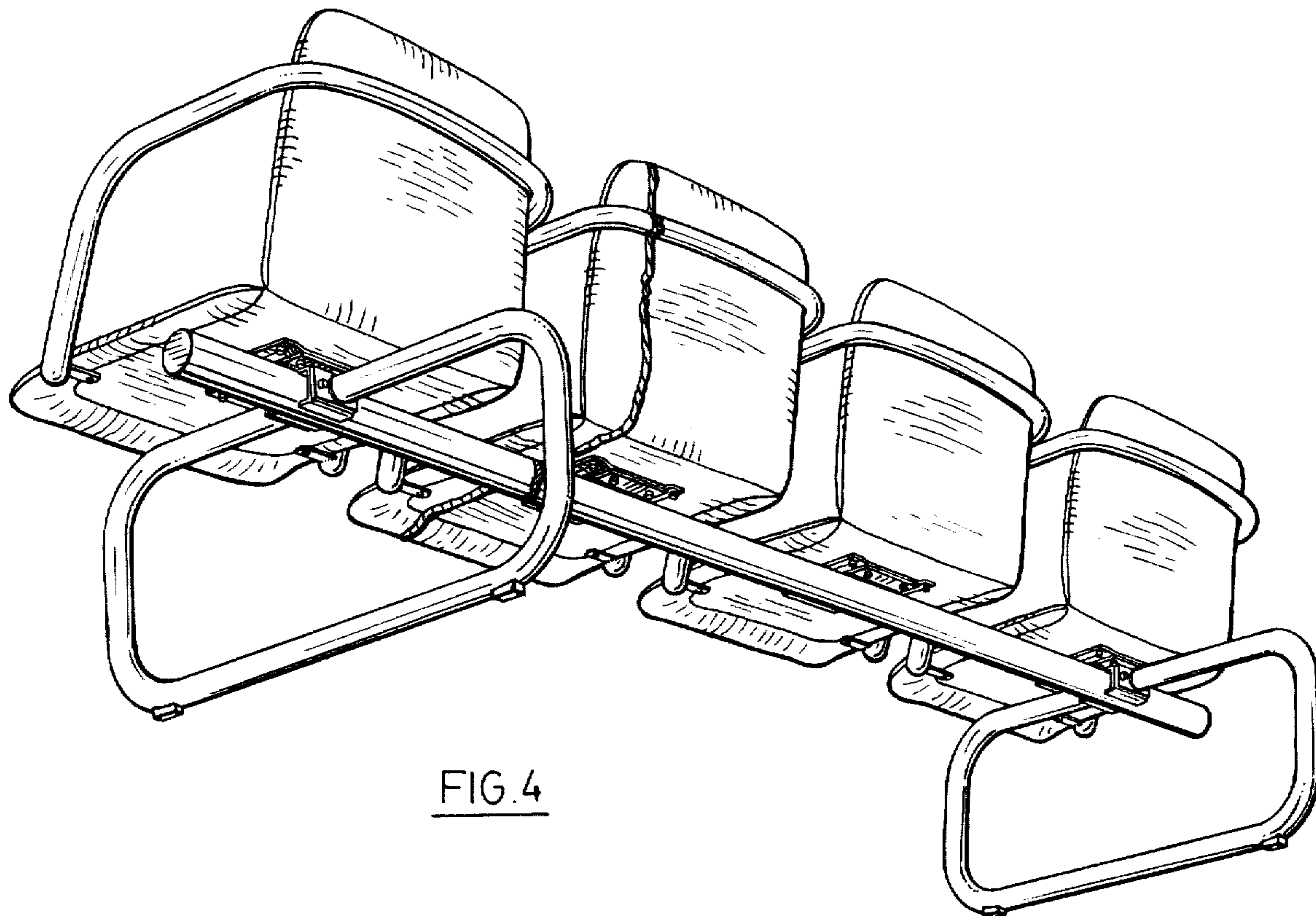


FIG. 4

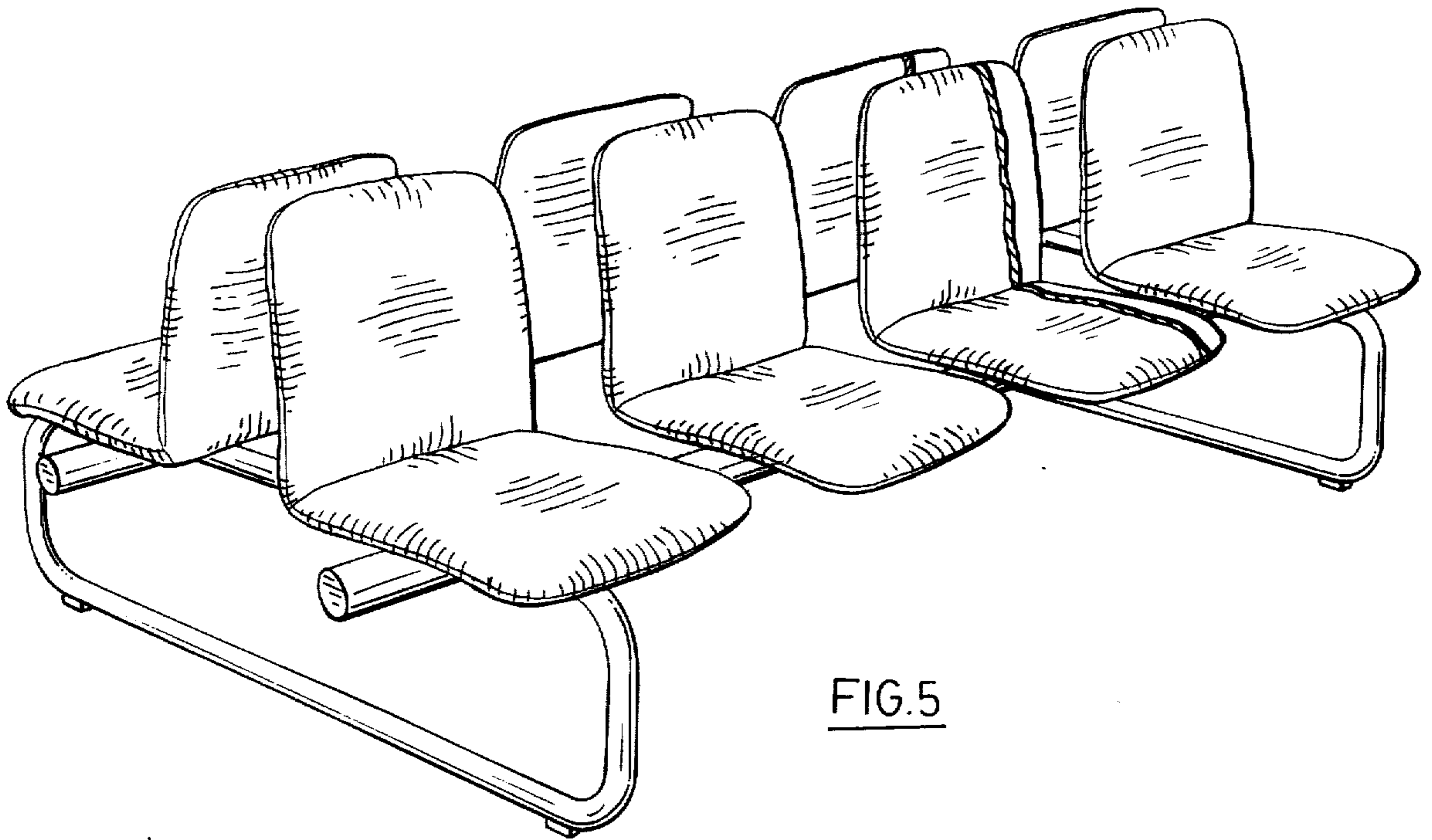


FIG. 5

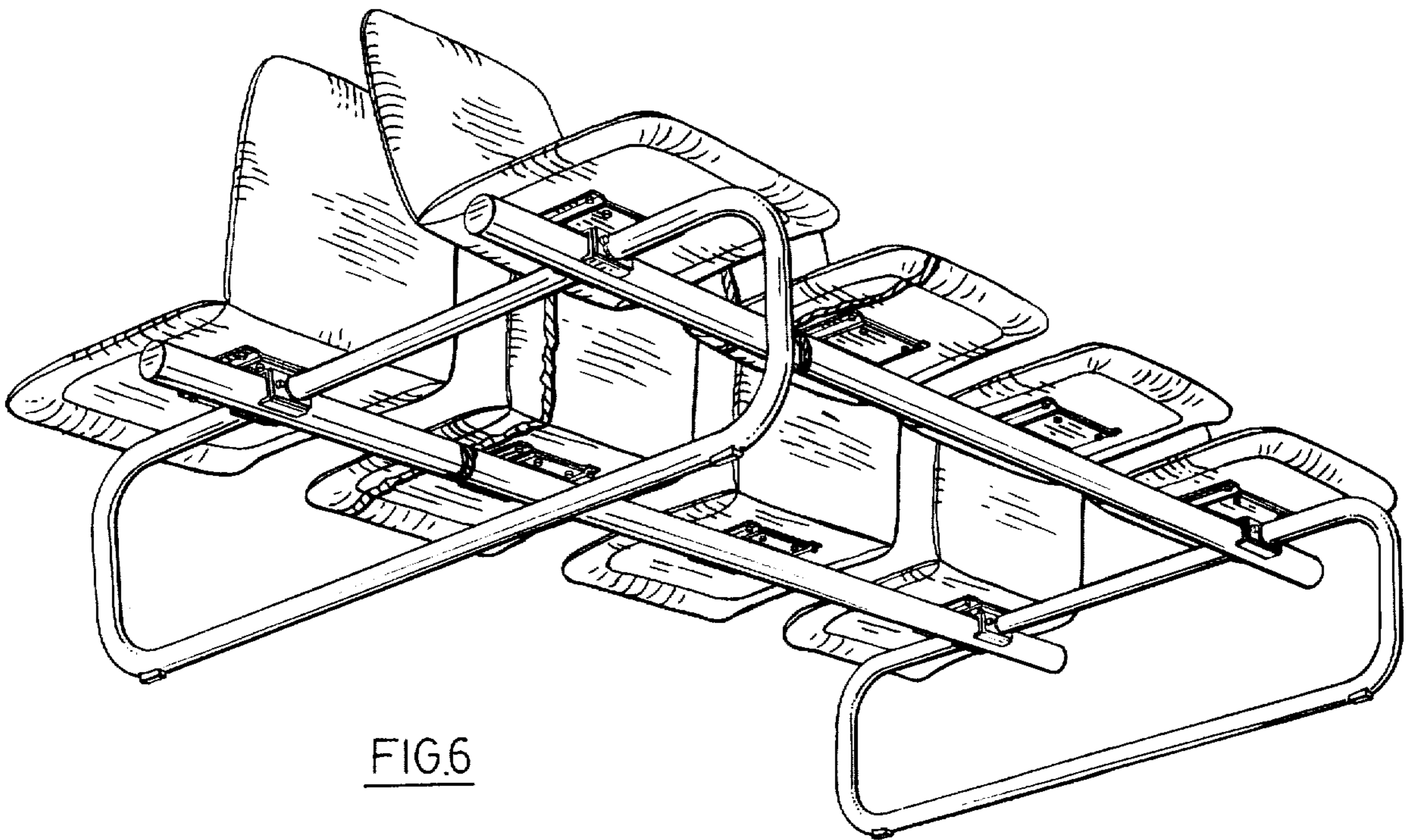


FIG. 6

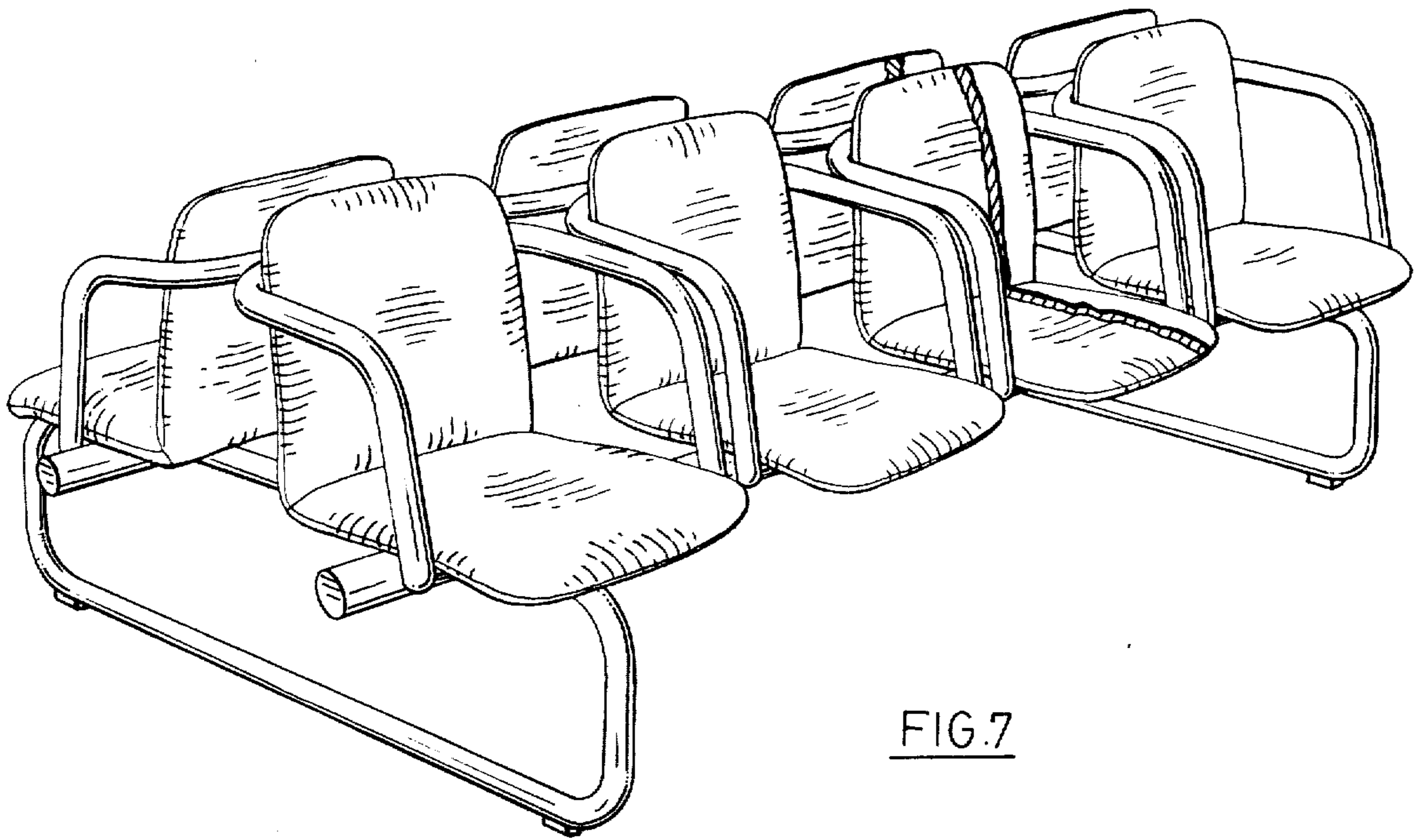


FIG. 7

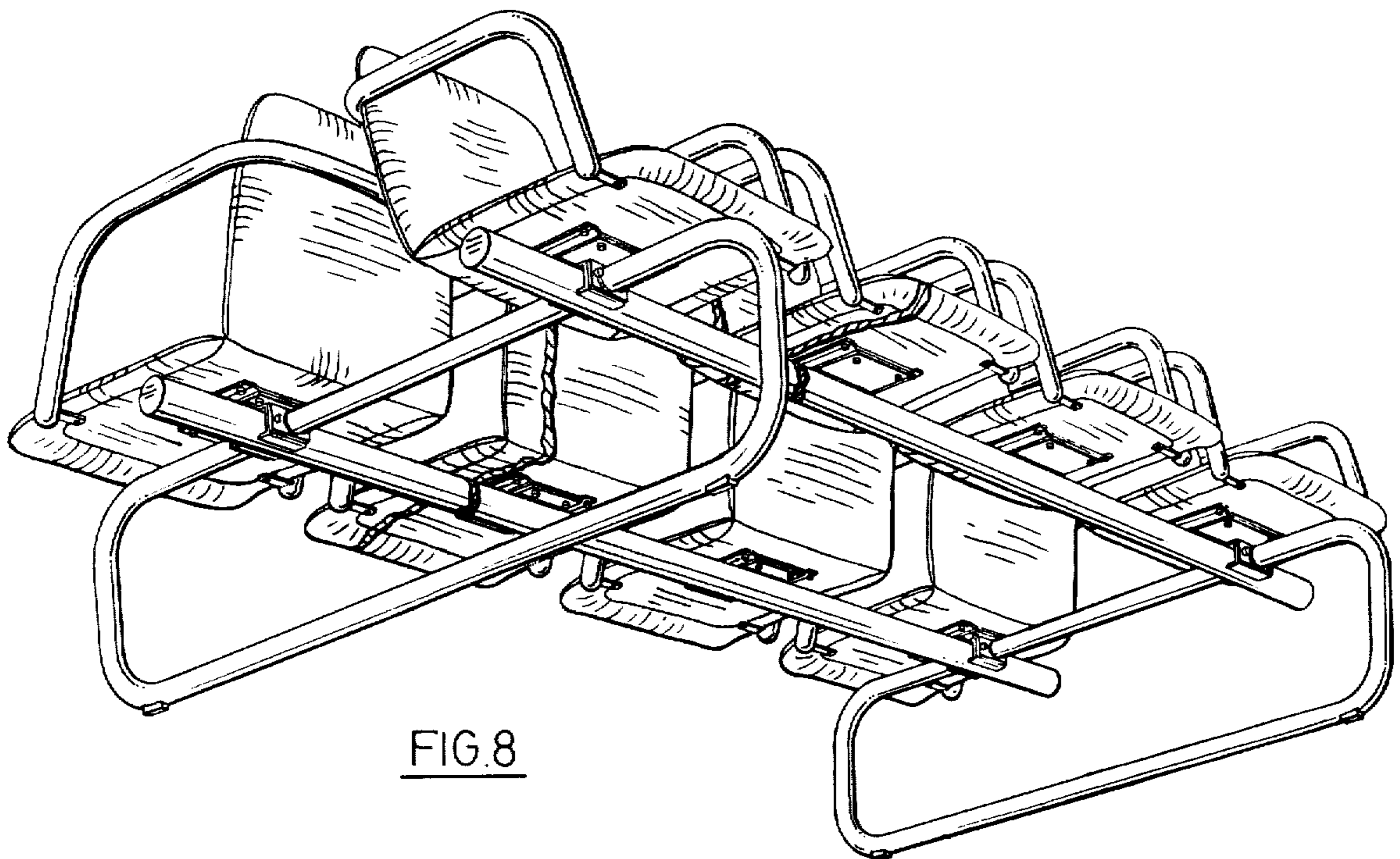


FIG. 8