

[54] LUGGAGE

[75] Inventor: Ted Stark, Montclair, N.J.

[73] Assignee: M/M Verdi International, Inc.,  
Jersey City, N.J.

[\*\*] Term: 14 Years

[21] Appl. No.: 366,288

[22] Filed: Apr. 7, 1982

[51] Int. Cl. .... D3-01

[52] U.S. Cl. .... D3/71; D3/48;  
D3/77

[58] Field of Search ..... D3/3.1, 48, 71, 76,  
D3/77; 190/41 Z, 41 R, 16, 51, 52

[56] References Cited

U.S. PATENT DOCUMENTS

D. 256,632 9/1980 Workman ..... D3/71  
4,210,186 7/1980 Belenson ..... 190/52

OTHER PUBLICATIONS

Luggage & Leather Goods, 5/78, p. 31, Item "A".  
Luggage & Travelware, 11/78, back cover, Item "A".  
Luggage & Travelware, 2/79, p. 38, bottom.  
Luggage & Travelware, 7/79, p. 28, Item "A".

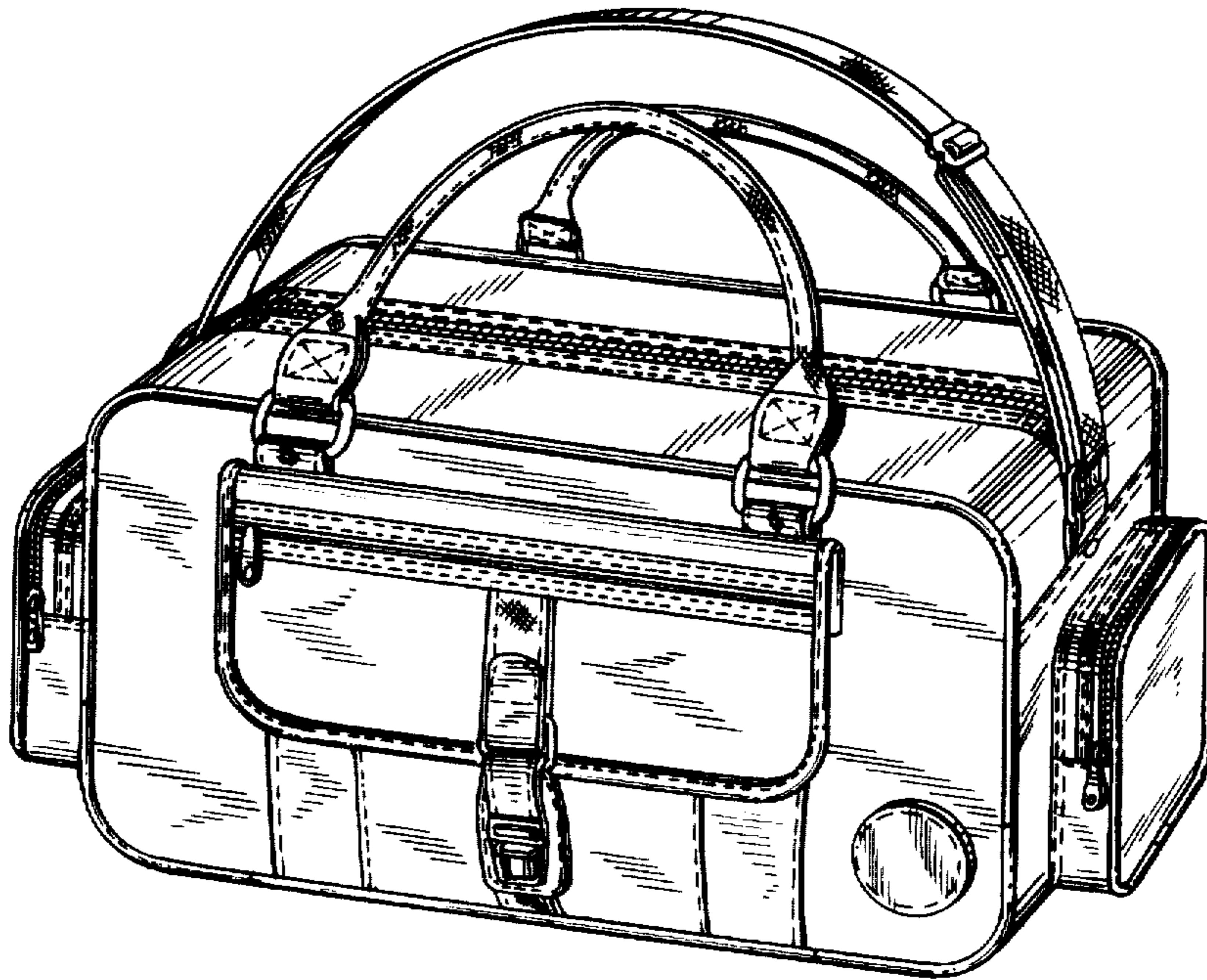
Primary Examiner—George P. Word  
Attorney, Agent, or Firm—Hubbell, Cohen, Stiefel &  
Gross

[57] CLAIM

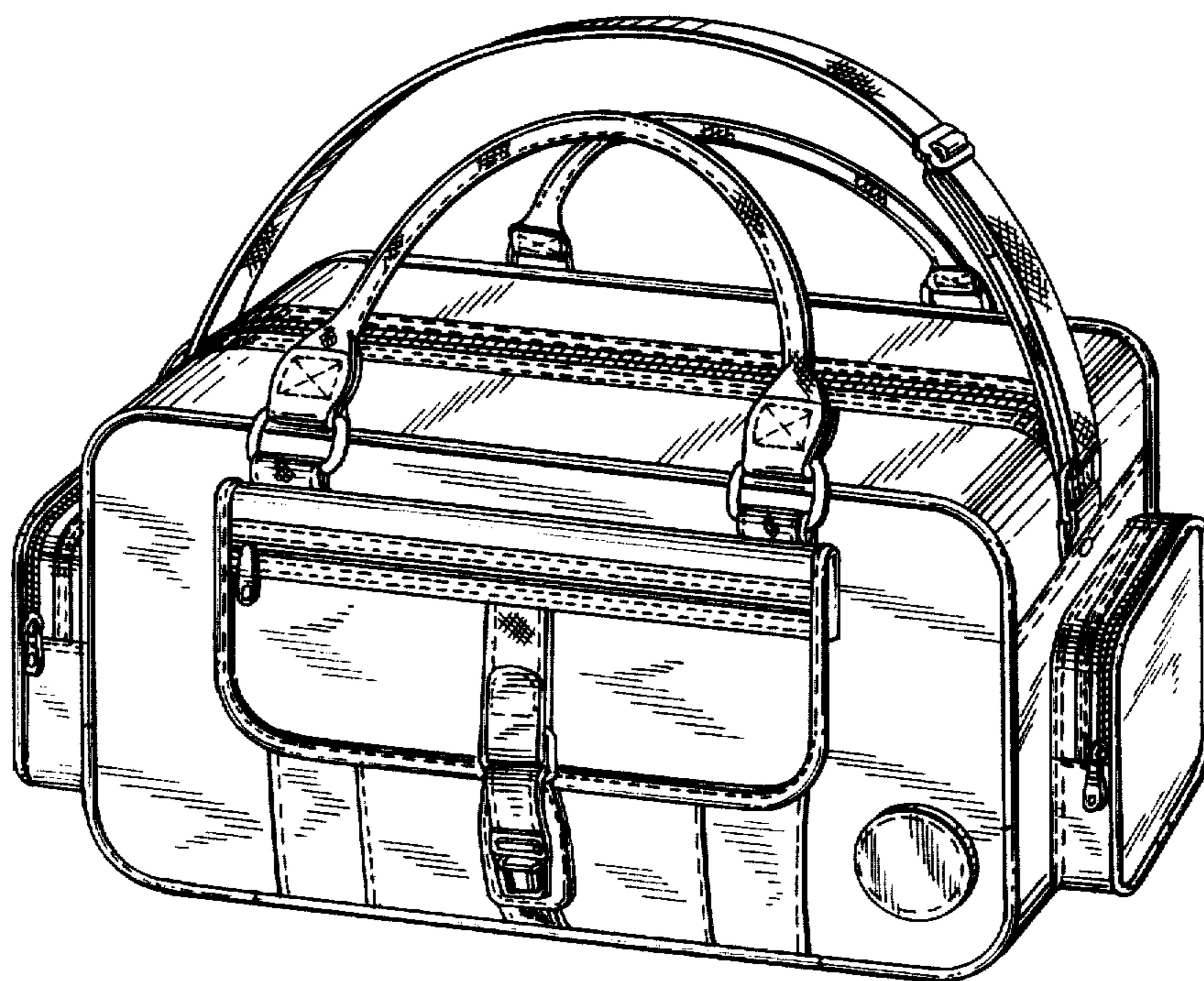
The ornamental design for luggage, substantially as  
shown and described.

DESCRIPTION

FIG. 1 is a perspective view of luggage showing my  
new design;  
FIG. 2 is an enlarged scale top plan view thereof;  
FIG. 3 is a rear elevational view thereof;  
FIG. 4 is a left side elevational view, the opposite side  
being a mirror image thereof; and  
FIG. 5 is a bottom plan view thereof.



*FIG. 1*



*FIG. 2*

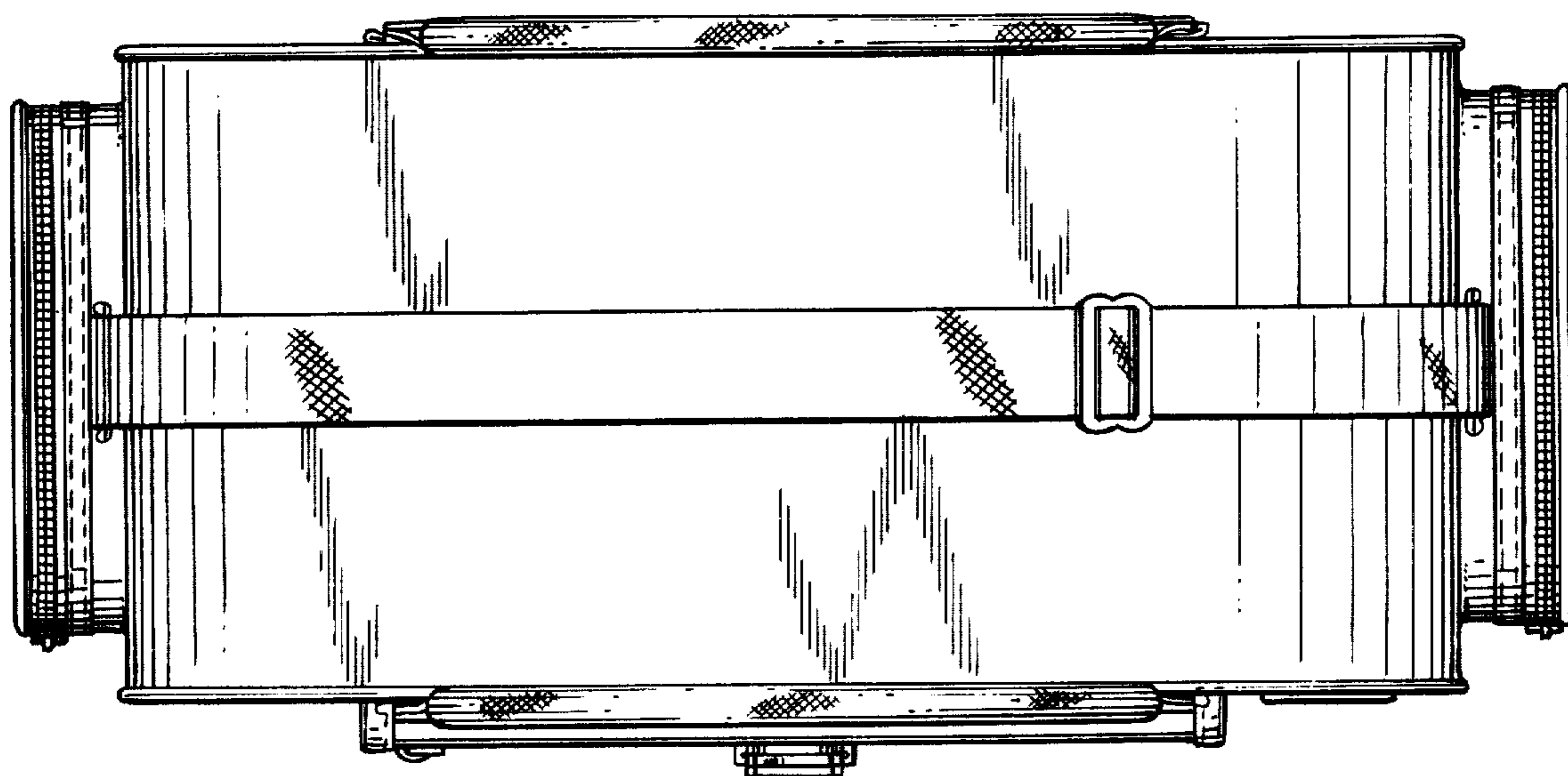


FIG. 4

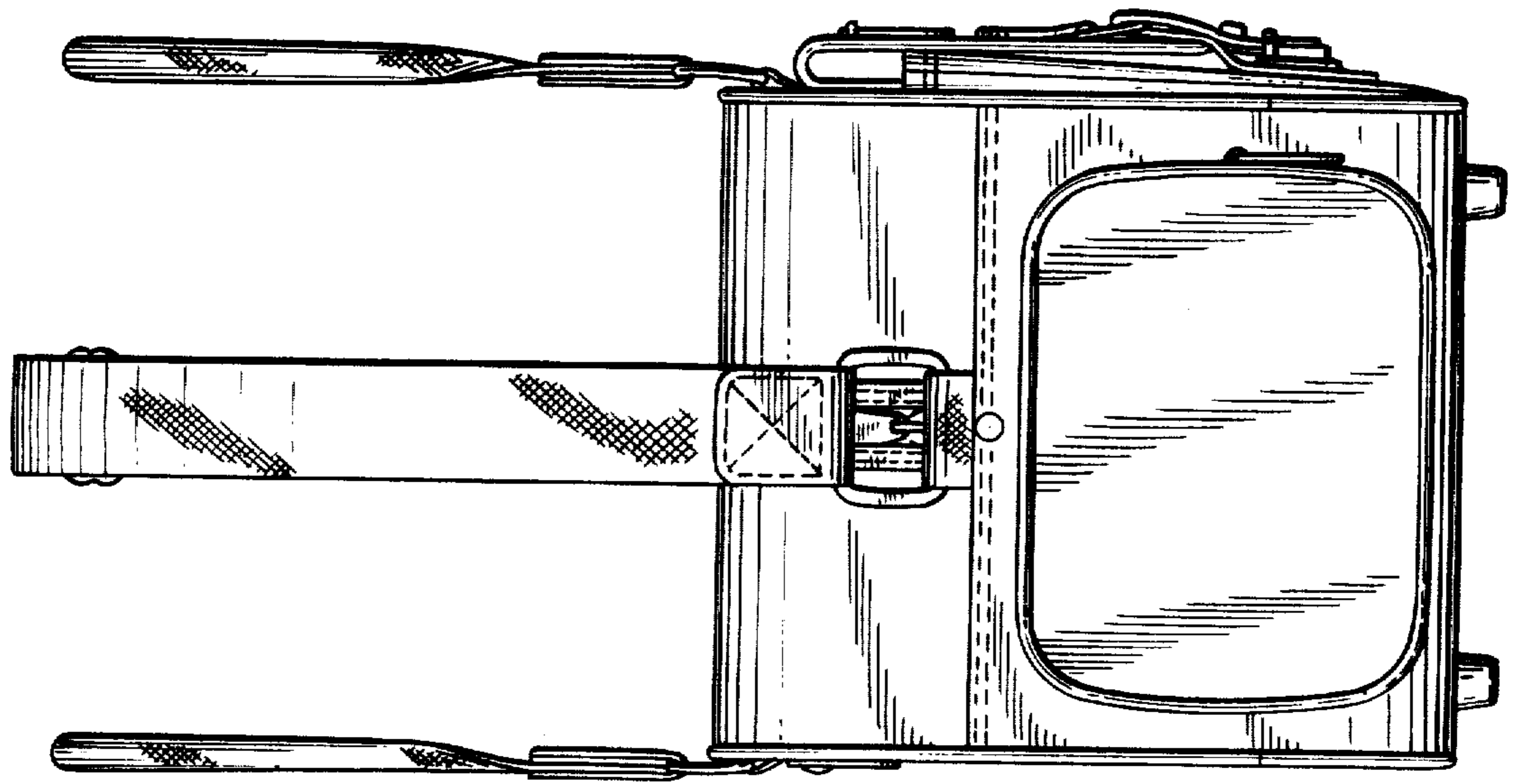
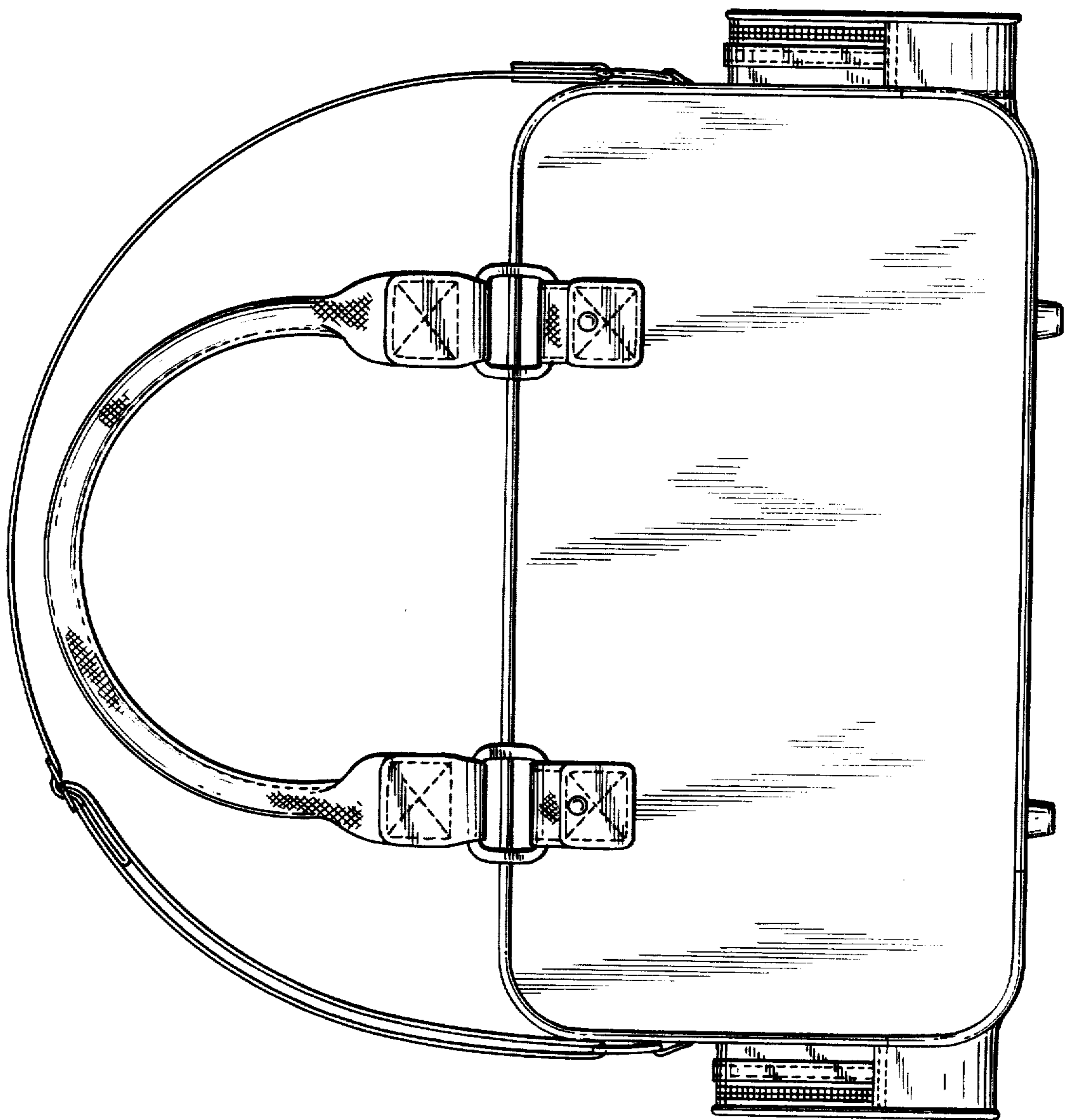


FIG. 3



*FIG. 5*

