

[54] LUGGAGE

[75] Inventor: Ted Stark, Montclair, N.J.
[73] Assignee: M/M Verdi International, Inc.,
Jersey City, N.J.

[**] Term: 14 Years
[21] Appl. No.: 366,287
[22] Filed: Apr. 7, 1982

[51] Int. Cl. D3-01
[52] U.S. Cl. D3/71; D3/48;
D3/77
[58] Field of Search D3/30.1, 48, 71, 76,
D3/77; 190/41 Z, 16, 51, 52

[56] References Cited
U.S. PATENT DOCUMENTS

D. 264,523 5/1982 Stark D3/77
4,081,061 3/1978 Tucker .

OTHER PUBLICATIONS

Luggage & Leather Goods, 8/62, p. 17.
Luggage & Travelware, 5/77, p. 35, bottom rt.
Luggage & Travelware, 1/78, p. 3, "A" and "B".
Luggage & Travelware, 1/79, p. 39.

Primary Examiner—George P. Word
Attorney, Agent, or Firm—Hubbell, Cohen, Stiefel &
Gross

[57] CLAIM

The ornamental design for luggage, substantially as
shown and described.

DESCRIPTION

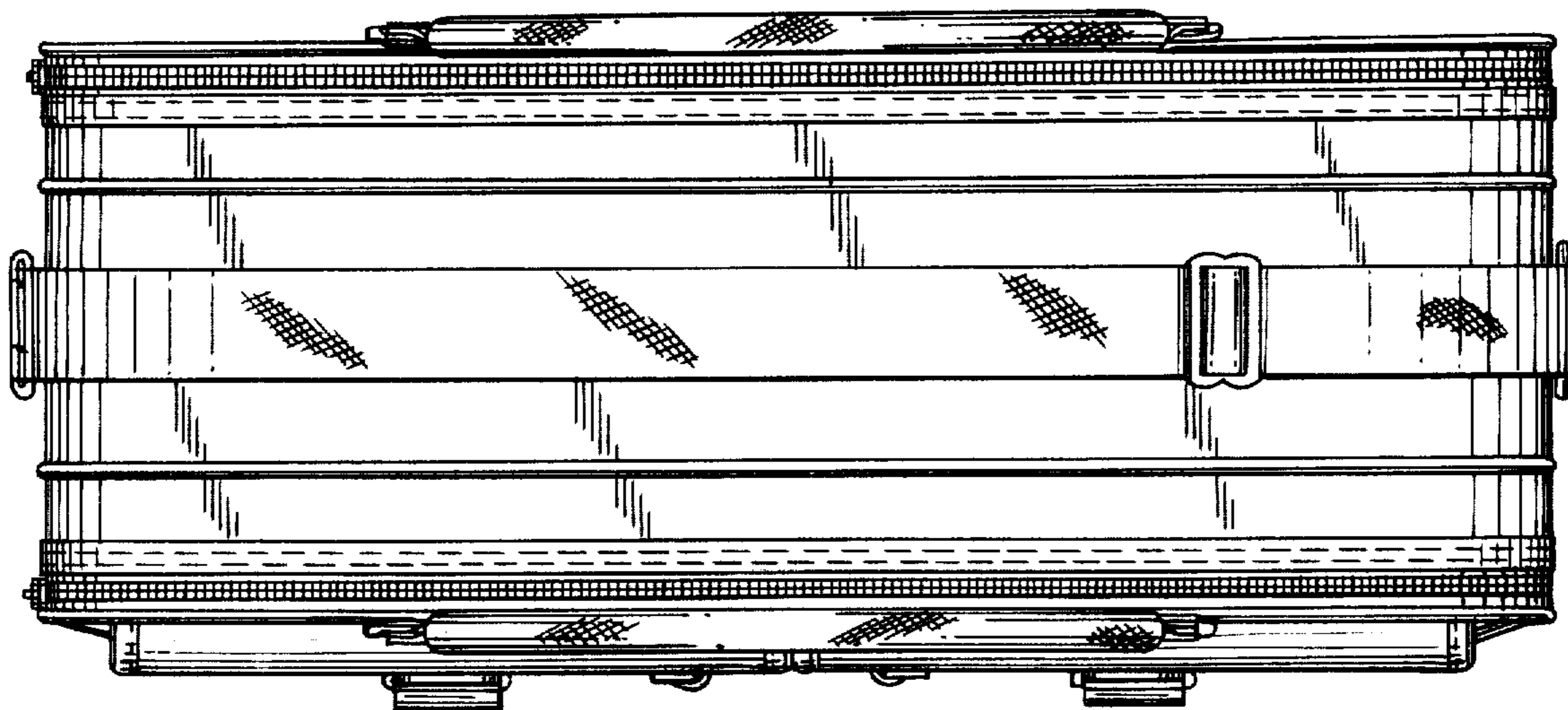
FIG. 1 is a perspective view of luggage showing my
new design;
FIG. 2 is an enlarged scale top plan view thereof;
FIG. 3 is a rear elevational view thereof;
FIG. 4 is a left side elevational view, the opposite side
being a mirror image thereof; and
FIG. 5 is a bottom plan view thereof.



FIG. 1



FIG. 2



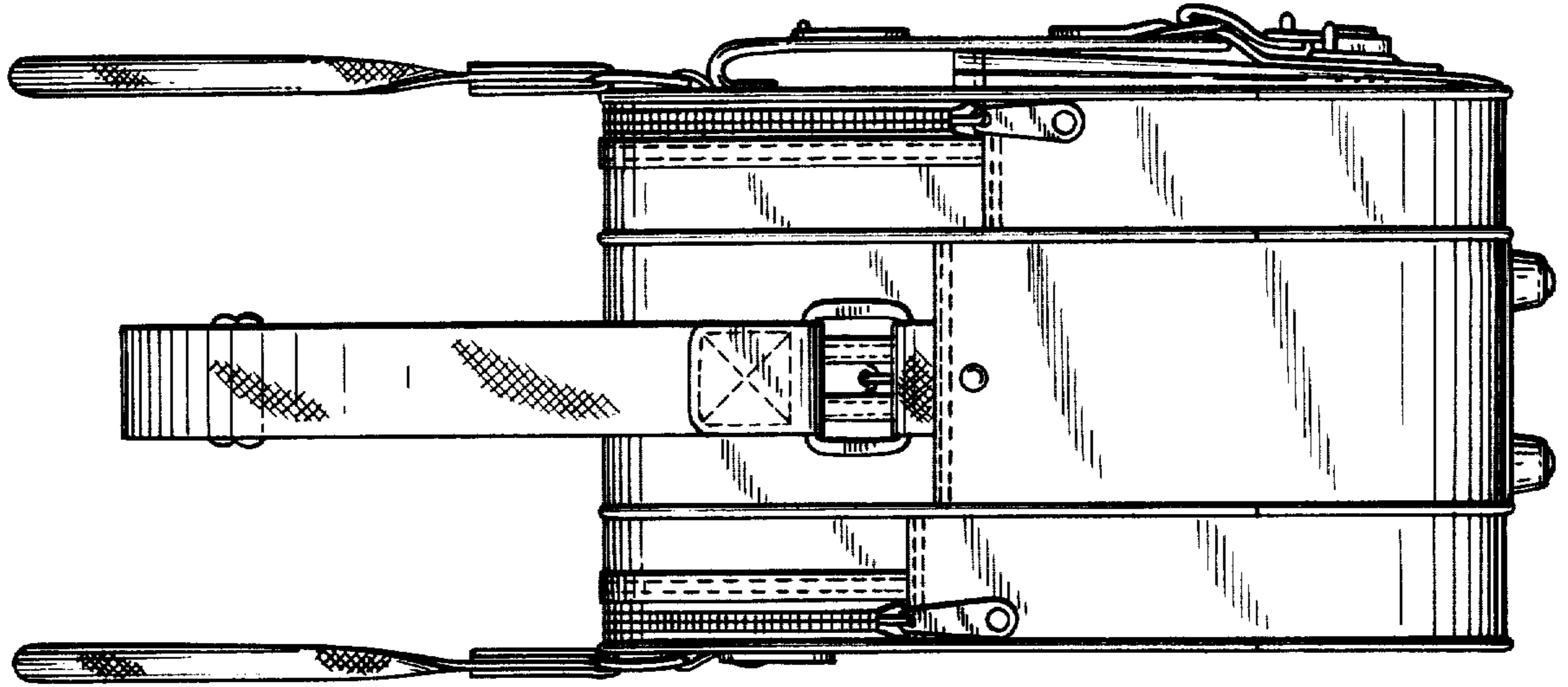


FIG. 4

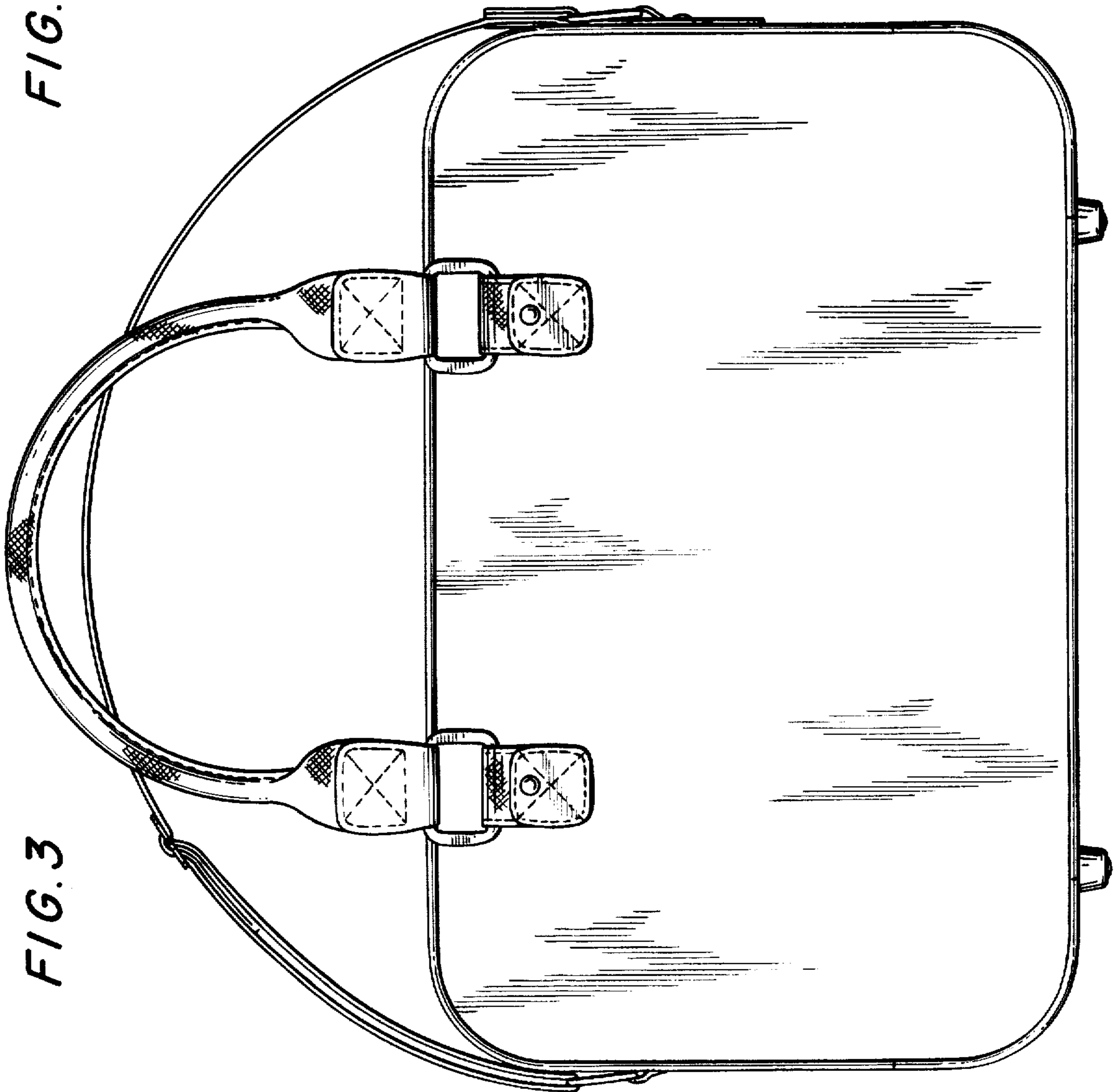


FIG. 3

FIG. 5

