

United States Patent [19]

Freeman

[11] **Des. 269,223**

[45] **** Jun. 7, 1983**

[54] **TRAY FOR WALKER OR SIMILAR ARTICLE**

[76] **Inventor: Mildred T. Freeman, 2757 Palisades Ave., Bronx, N.Y. 10463**

[**] **Term: 14 Years**

[21] **Appl. No.: 200,083**

[22] **Filed: Oct. 23, 1980**

[51] **Int. Cl. D3—03**

[52] **U.S. Cl. D3/10**

[58] **Field of Search D3/9, 10; D6/199, 191; 155/66, 67; 248/230; 108/159, 155; 224/30 A, 36**

[56] **References Cited**

U.S. PATENT DOCUMENTS

D. 160,744 10/1950 Rizzuto D6/99

2,759,525 8/1956 Ries 135/67
3,181,483 5/1965 De Vitt et al. 108/159
4,074,683 2/1978 DiChiara 135/67

Primary Examiner—Charles A. Rademaker
Attorney, Agent, or Firm—Offner and Kuhn

[57] **CLAIM**

The ornamental design for a tray for walker or similar article, as shown and described.

DESCRIPTION

FIG. 1 is a front perspective view of a tray for a walker or similar article showing my new design.

FIG. 2 is a top plan view thereof.

FIG. 3 is a front elevational view thereof.

FIG. 4 is a side elevational view thereof.

FIG. 5 is a rear elevational view thereof.

FIG. 6 is a bottom plan view thereof.

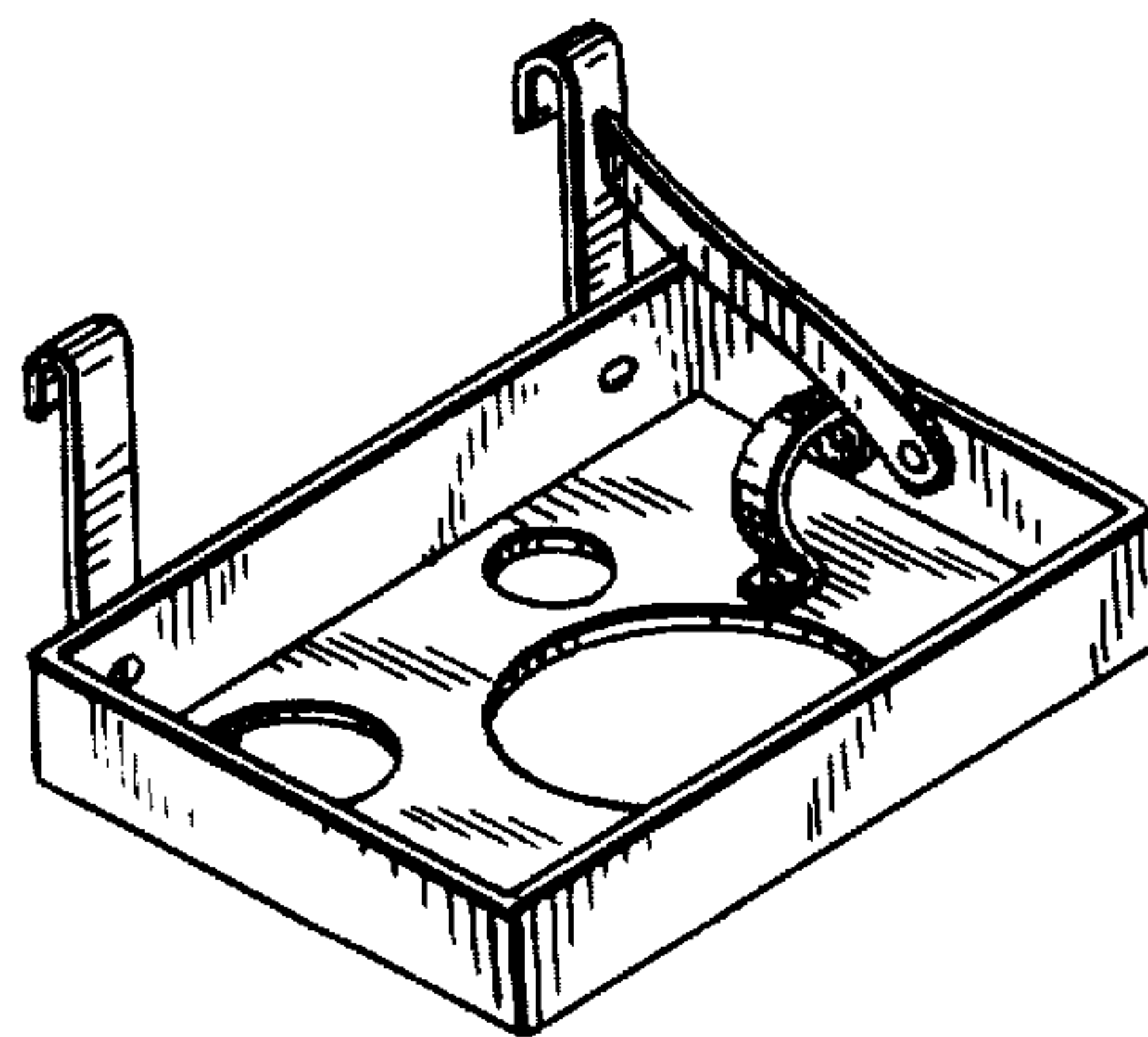


FIG. 1

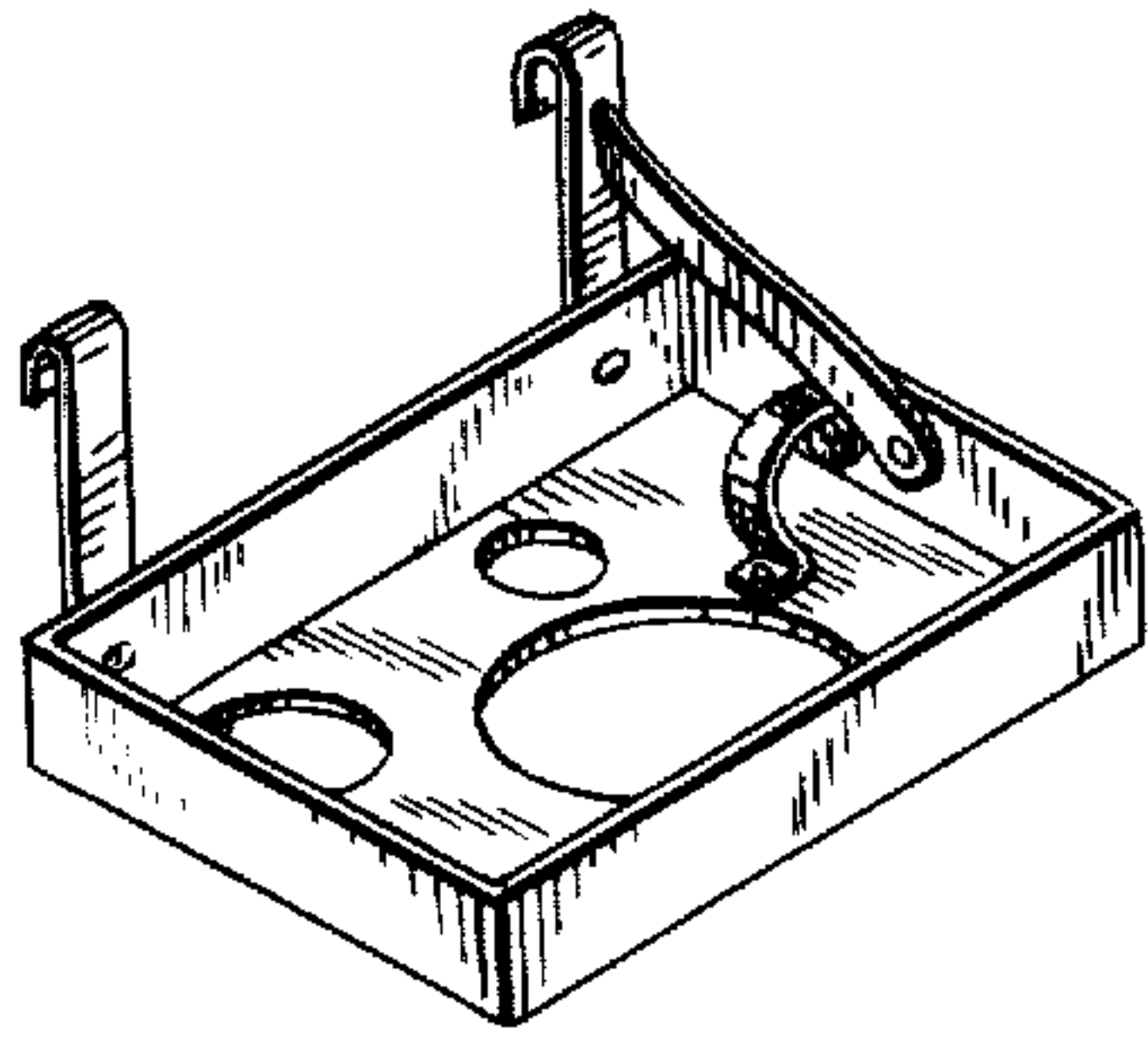


FIG. 2

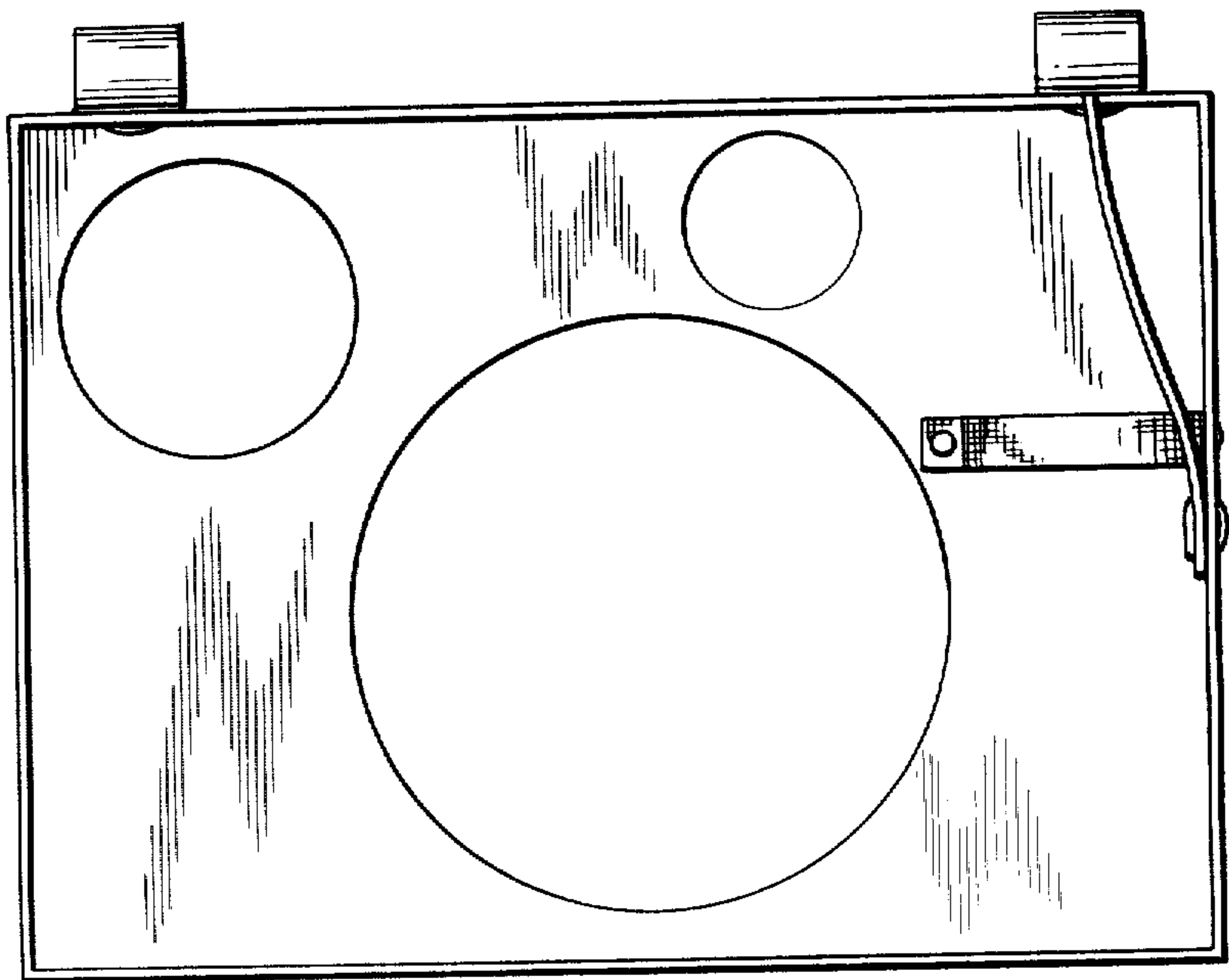


FIG. 3

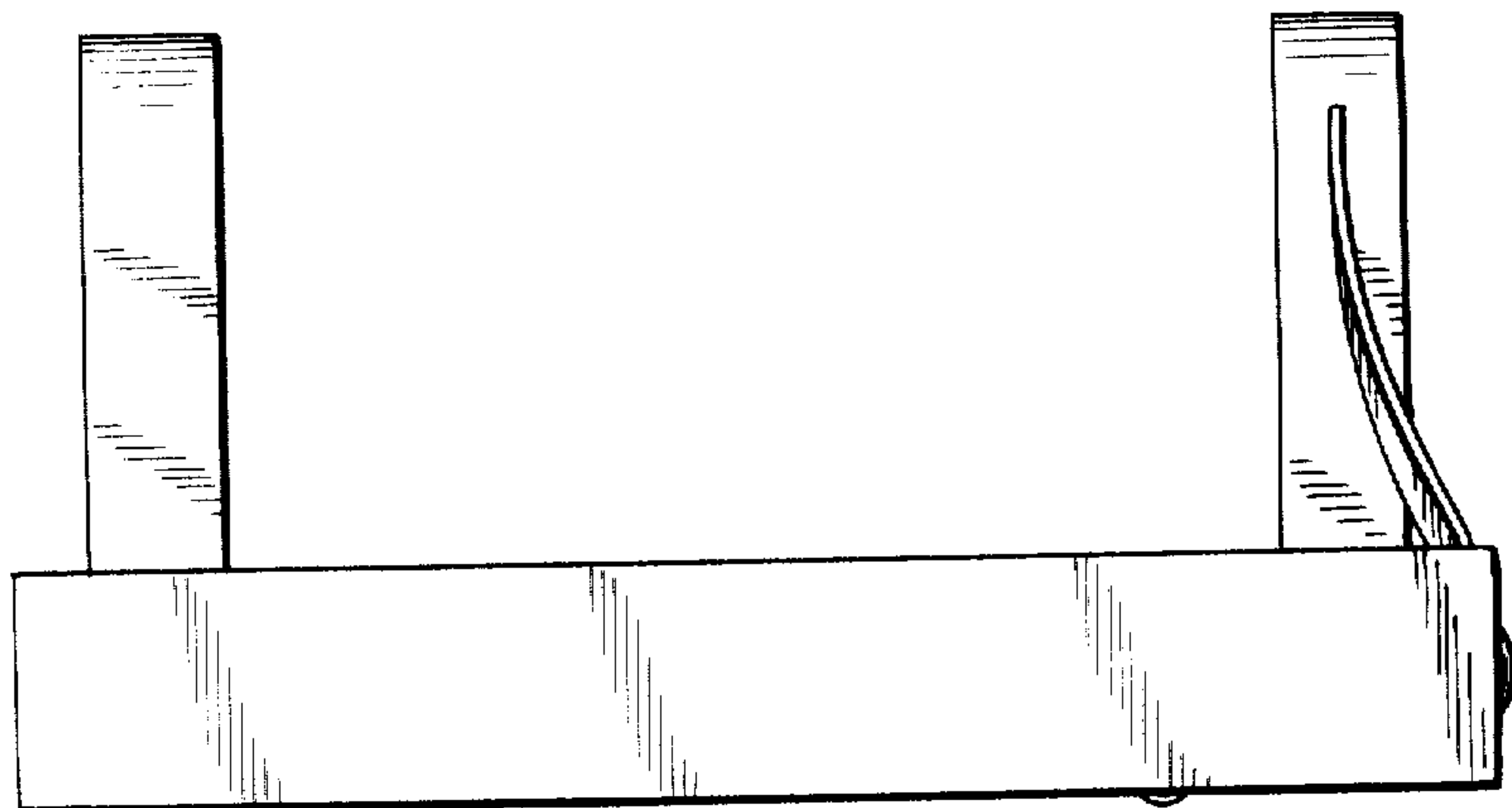


FIG. 4

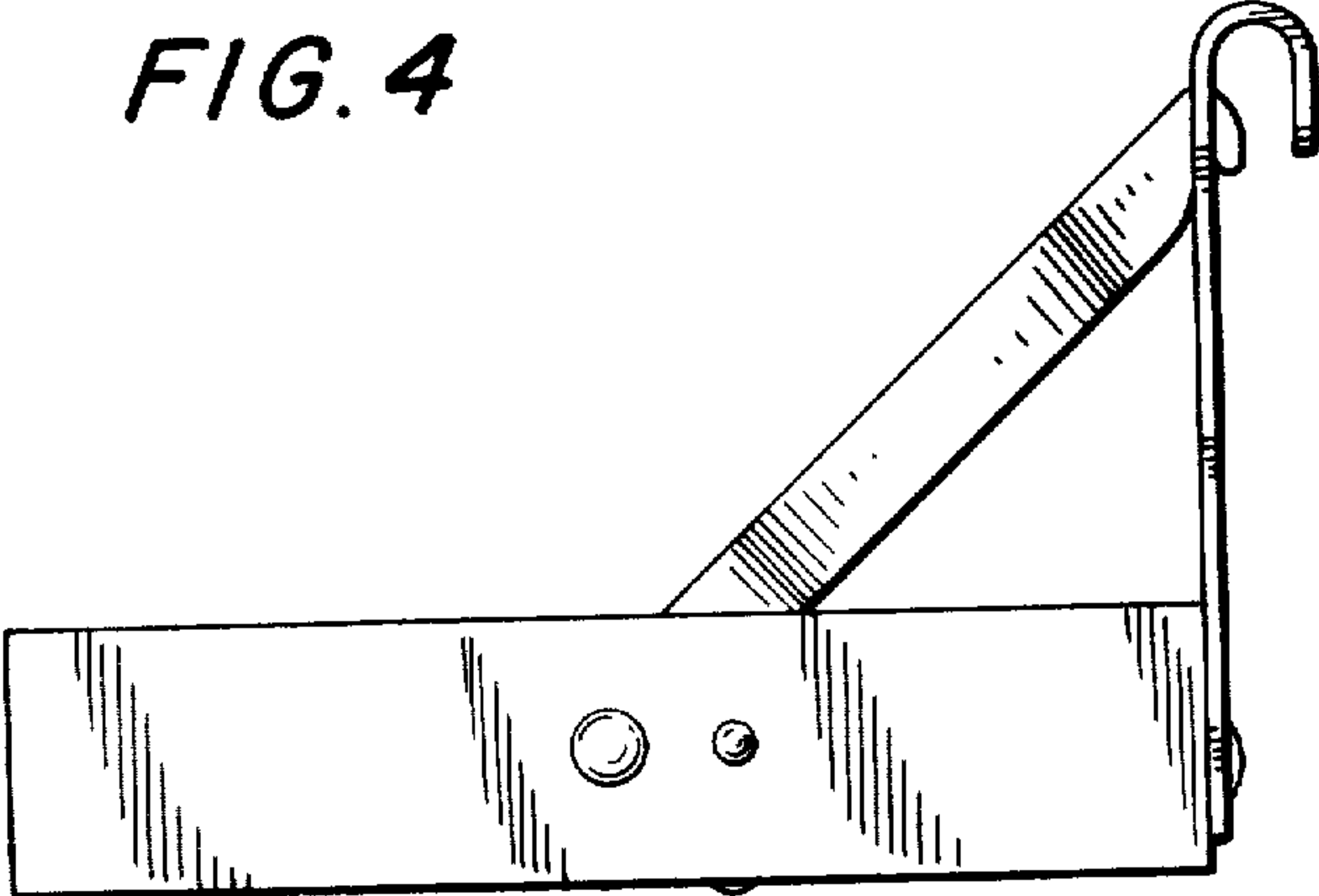


FIG. 5

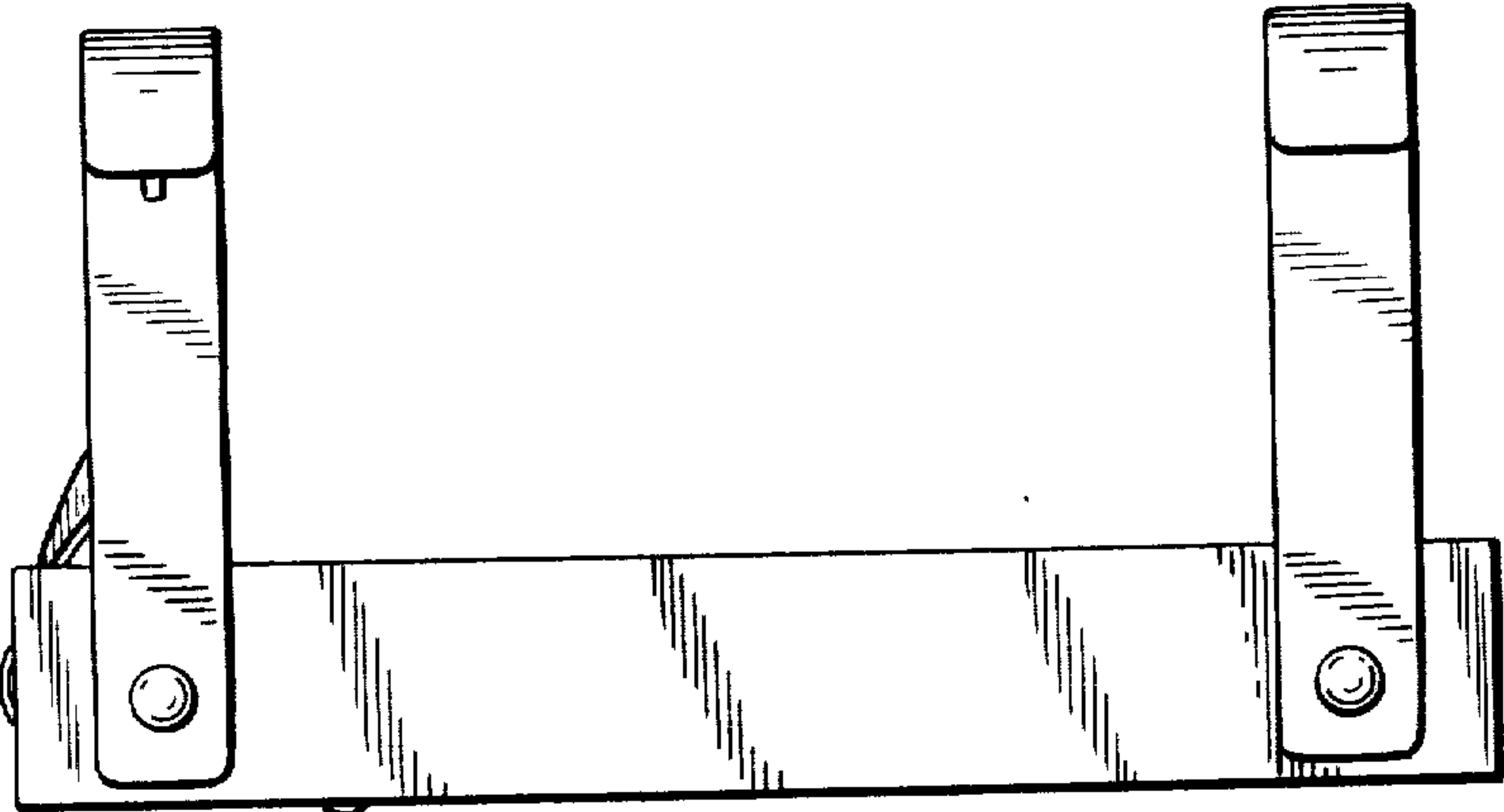
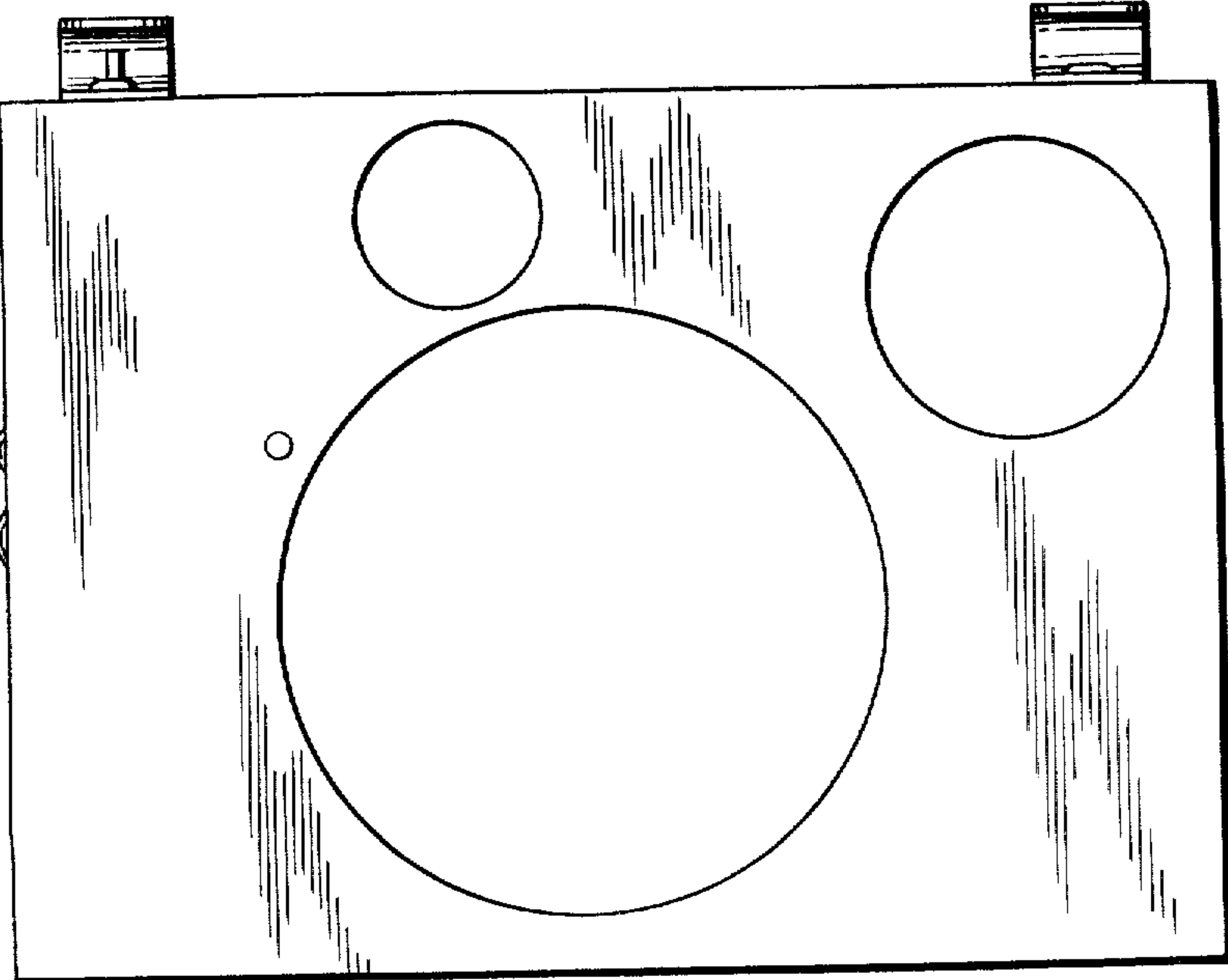


FIG. 6



UNITED STATES PATENT AND TRADEMARK OFFICE
CERTIFICATE OF CORRECTION

DESIGN

PATENT NO. : Des. 269,223

DATED : June 7, 1983

INVENTOR(S) : Mildred T. Freeman

It is certified that error appears in the above—identified patent and that said Letters Patent is hereby corrected as shown below:

Inventor's address should read -- 2575 Palisade Avenue--
instead of "2757 Palisades Avenue".

Signed and Sealed this

Twenty-third Day of April 1985

[SEAL]

Attest:

DONALD J. QUIGG

Attesting Officer

Acting Commissioner of Patents and Trademarks