

[54] **LOAD CARRYING DOLLY**

[75] **Inventor: Robert R. Greenheck, Aurora, Colo.**

[73] **Assignee: R. & D. Greenheck Manufacturing Co., Inc., Aurora, Colo.**

[**] **Term: 14 Years**

[21] **Appl. No.: 177,111**

[22] **Filed: Aug. 11, 1980**

[51] **Int. Cl. D12-02**

[52] **U.S. Cl. D34/23**

[58] **Field of Search D34/23; 280/79.1 R, 280/79.1 A, 79.3; 248/129**

[56] **References Cited**

U.S. PATENT DOCUMENTS

290,759	12/1883	Eberhard	280/79.1 A
620,331	2/1899	Knapp	248/129
3,734,526	5/1973	Bard	D34/23

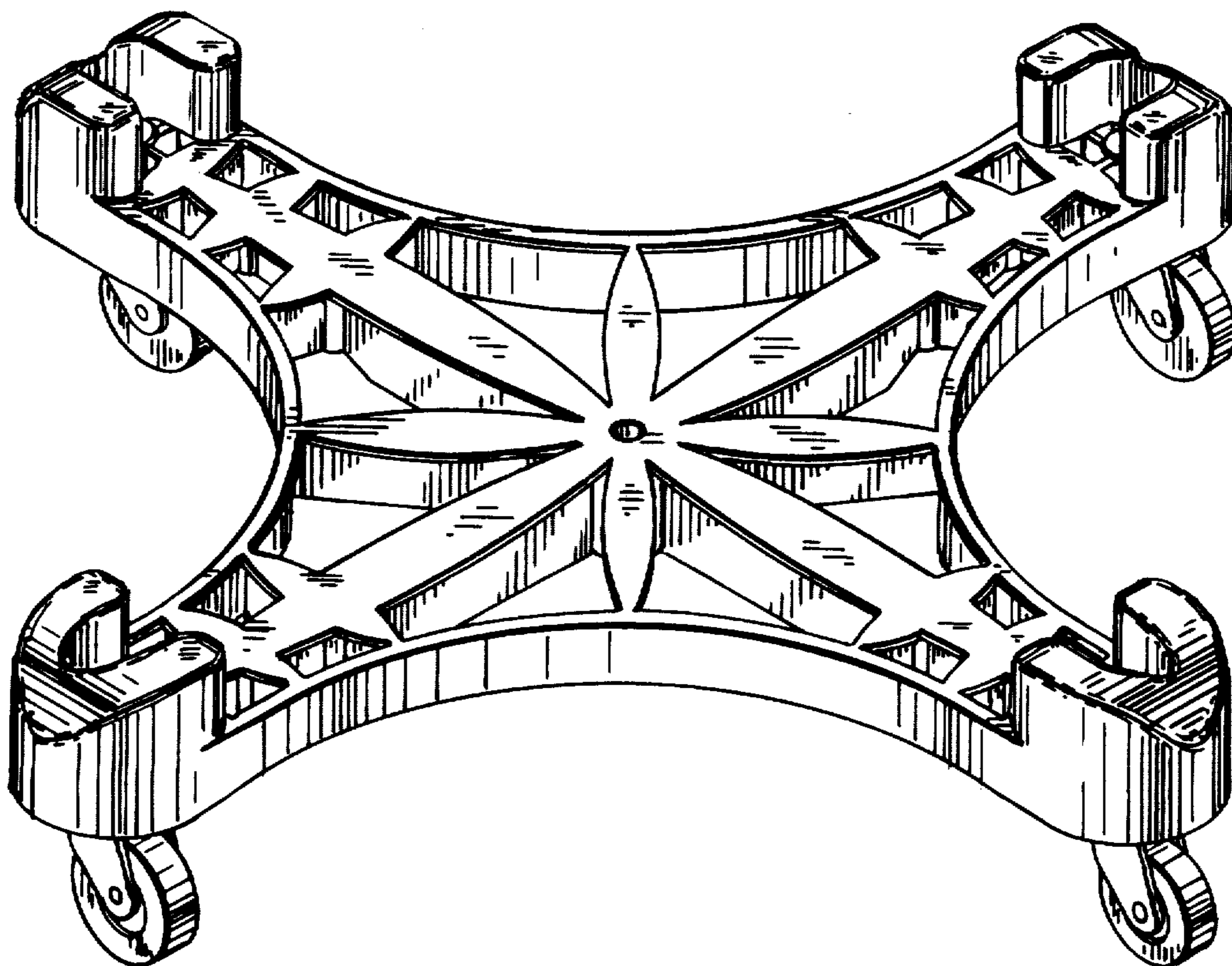
Primary Examiner—James M. Gandy
Attorney, Agent, or Firm—James E. Pittenger

[57] **CLAIM**

The ornamental design for a load carrying dolly, as shown and described.

DESCRIPTION

FIG. 1 is a top plan view of the load carrying dolly according to the present invention; FIG. 2 is a side elevation view thereof; FIG. 3 is a bottom plan view thereof; and FIG. 4 is a perspective view thereof.



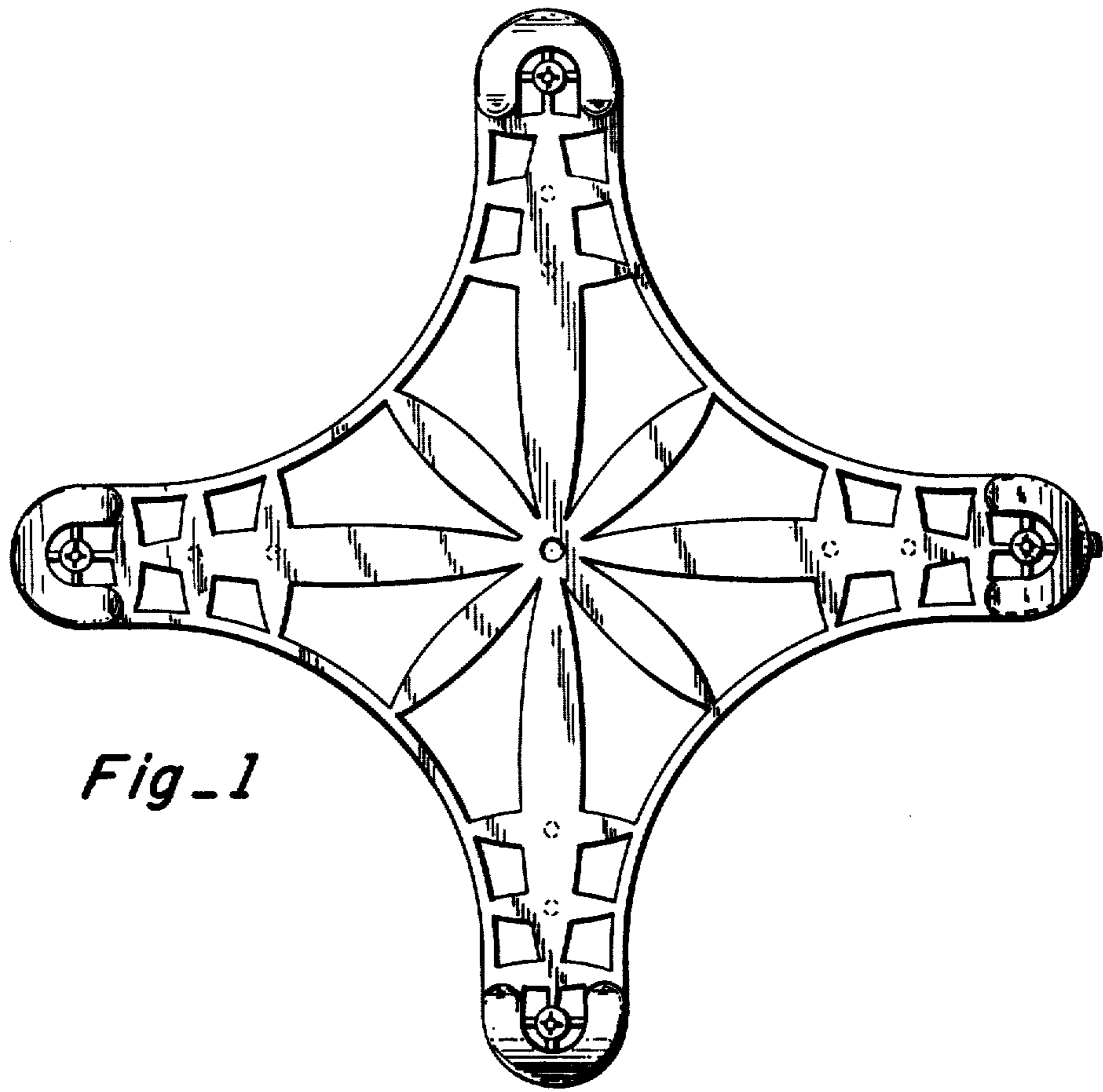


Fig-1

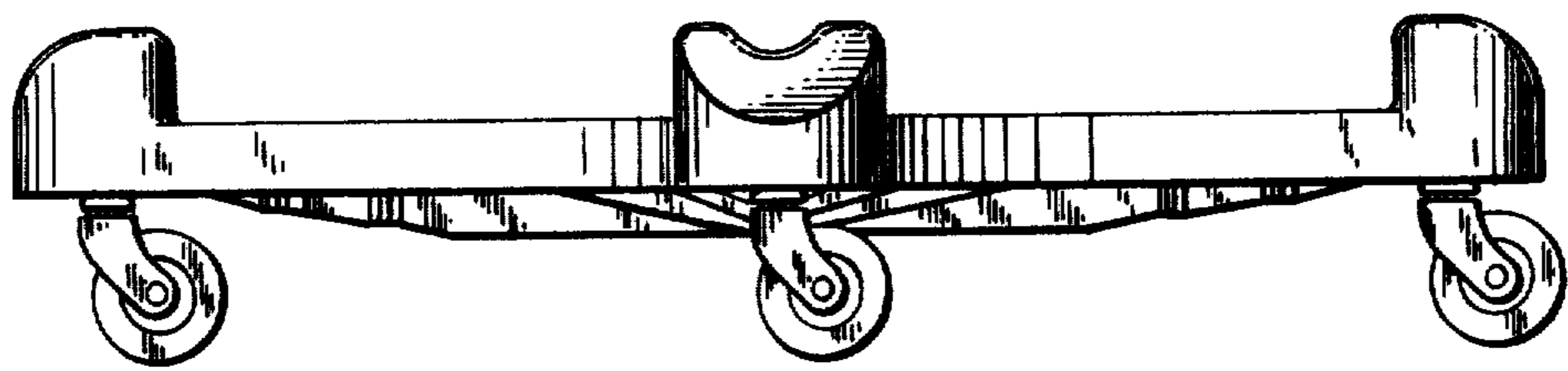


Fig-2

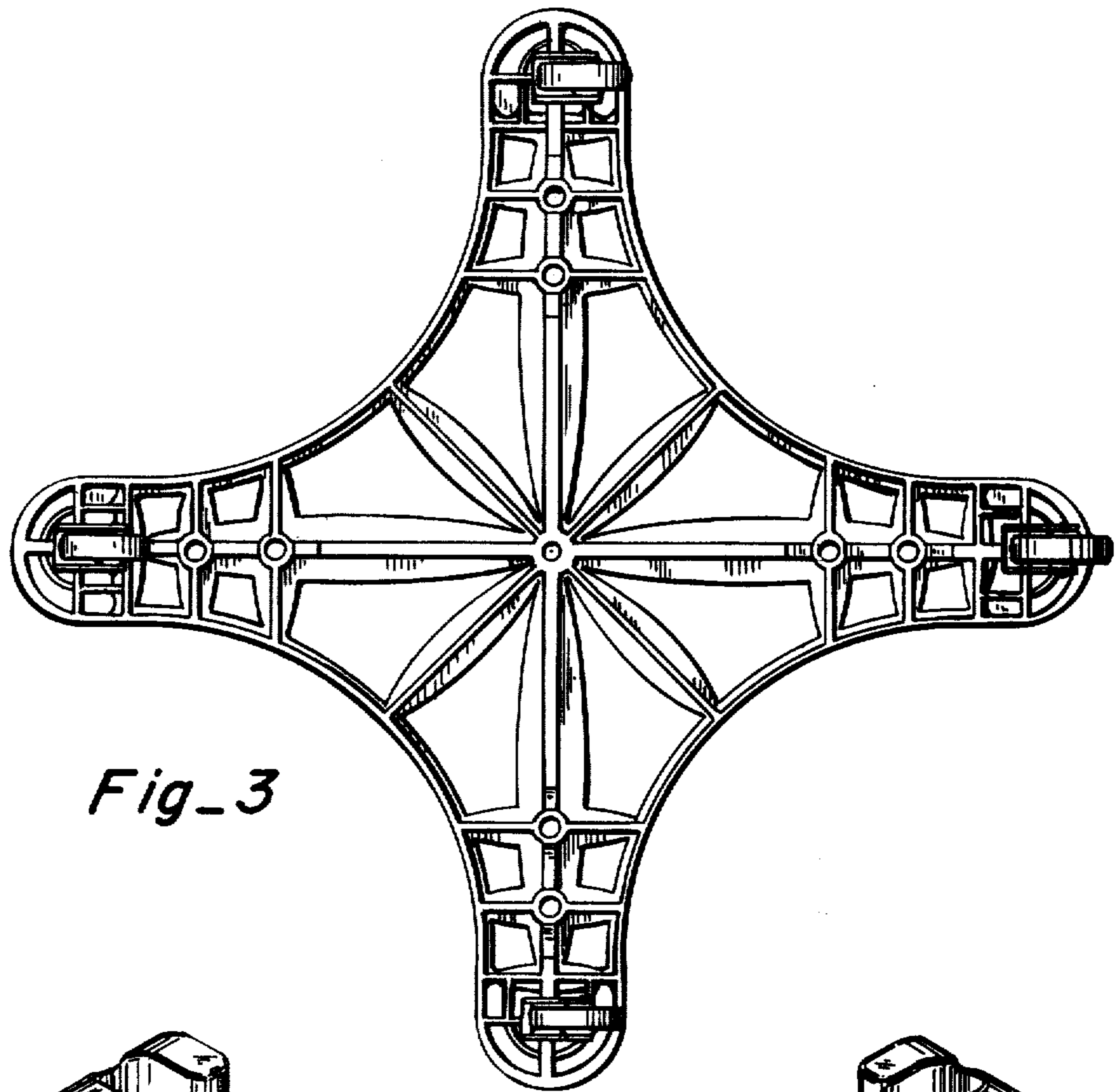


Fig-3

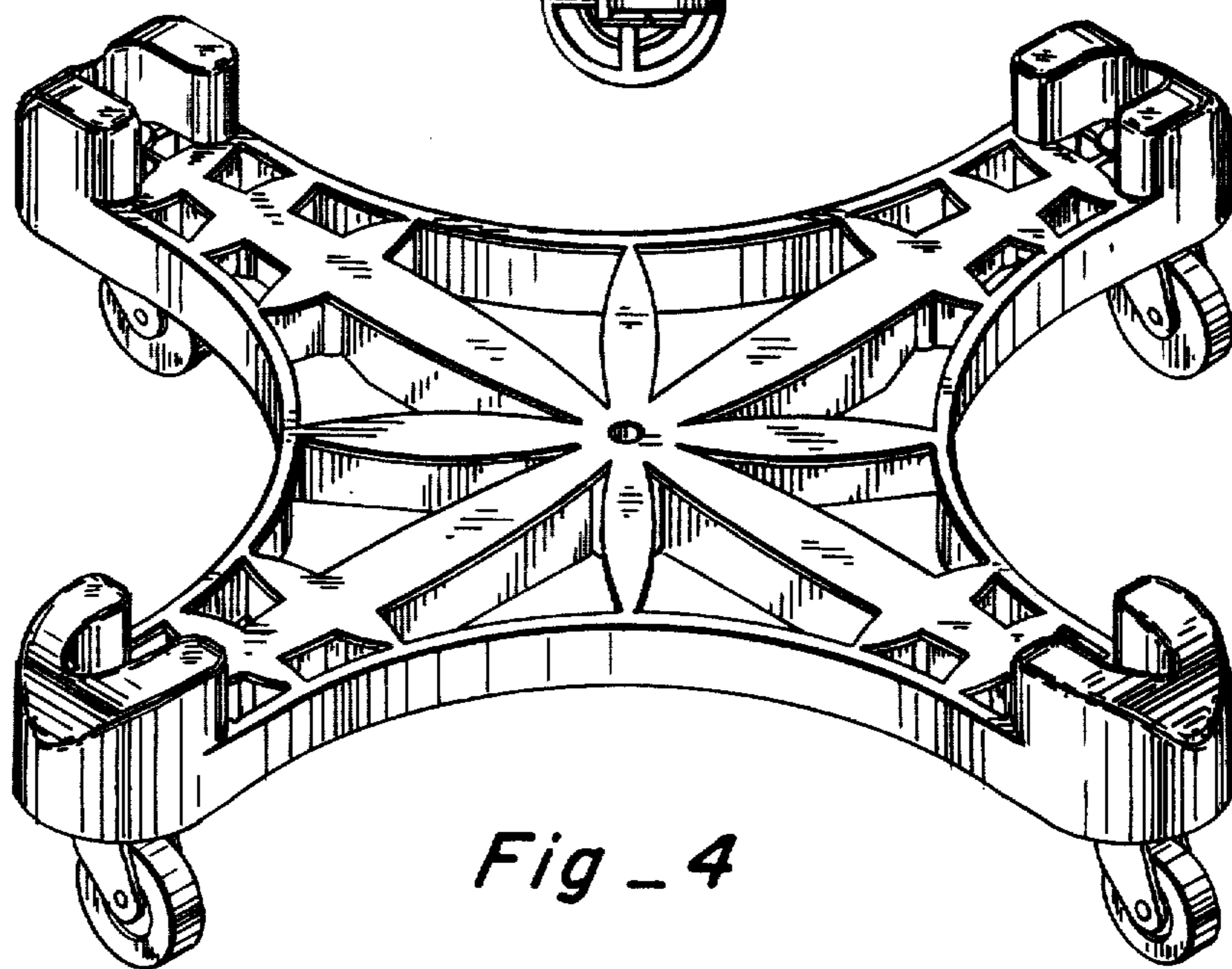


Fig - 4