

[54] **CART**

[76] **Inventor:** Charles L. Caine, 4783 E. Lamona Ave., Fresno, Calif. 93703

[\*\*] **Term:** 14 Years

[21] **Appl. No.:** 213,957

[22] **Filed:** Dec. 8, 1980

[51] **Int. Cl.** ..... D12-02

[52] **U.S. Cl.** ..... D34/17; D34/18;  
D34/21

[58] **Field of Search** ..... D34/17, 18, 21;  
280/47.34, 79.1 R, 79.1 A, 79.3

[56]

**References Cited**

**U.S. PATENT DOCUMENTS**

2,424,644 7/1947 Barrett ..... D34/21  
3,084,363 4/1963 Vetne ..... D34/17

*Primary Examiner*—James M. Gandy  
*Attorney, Agent, or Firm*—Huebner & Worrel

[57]

**CLAIM**

The ornamental design for a cart, as shown.

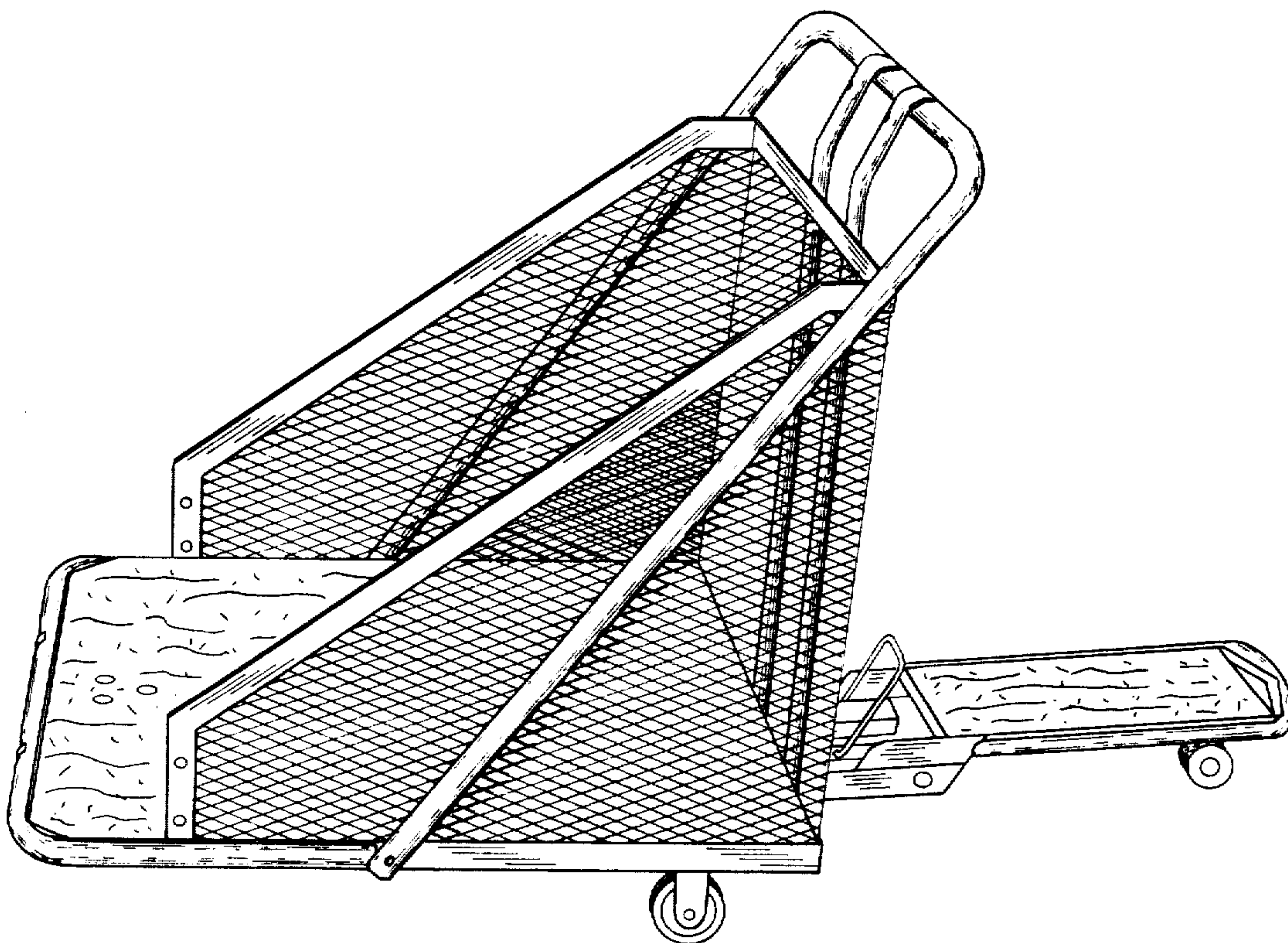
**DESCRIPTION**

FIG. 1 is a front perspective view of the cart showing my new design.

FIG. 2 is a rear perspective view thereof.

FIG. 3 is a bottom plan view thereof.

FIG. 4 is a top plan view thereof.



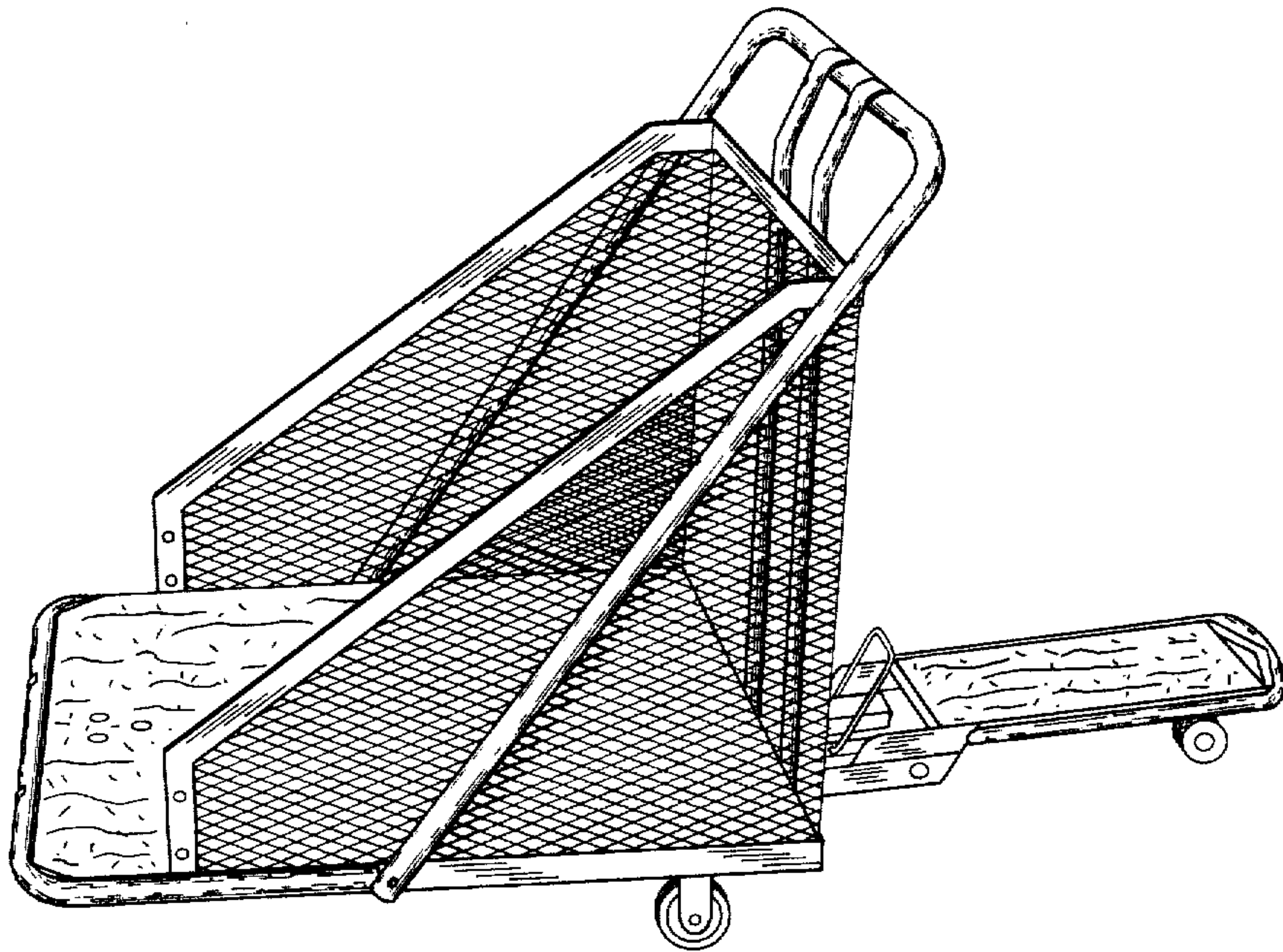


FIG. 1

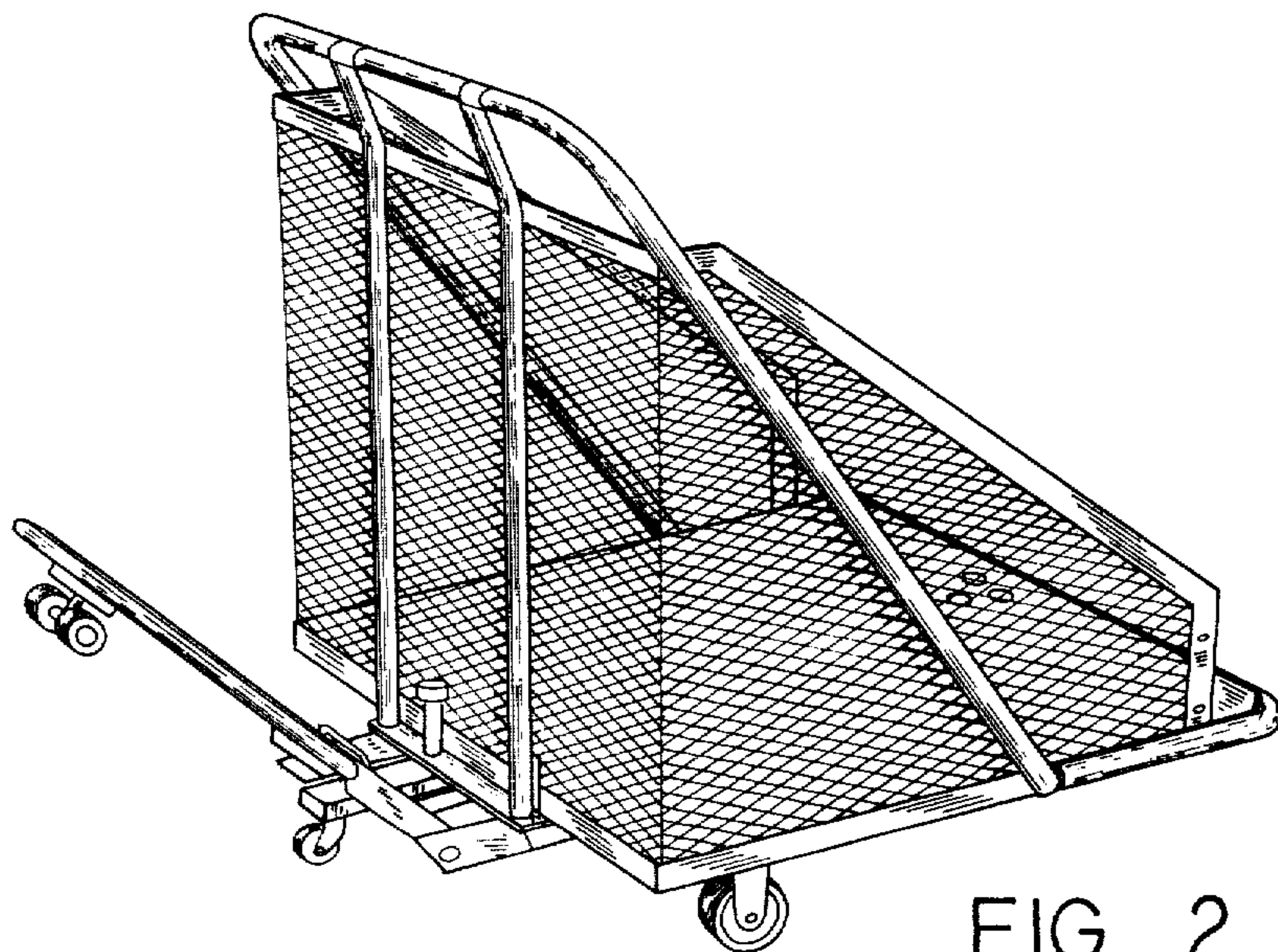


FIG. 2



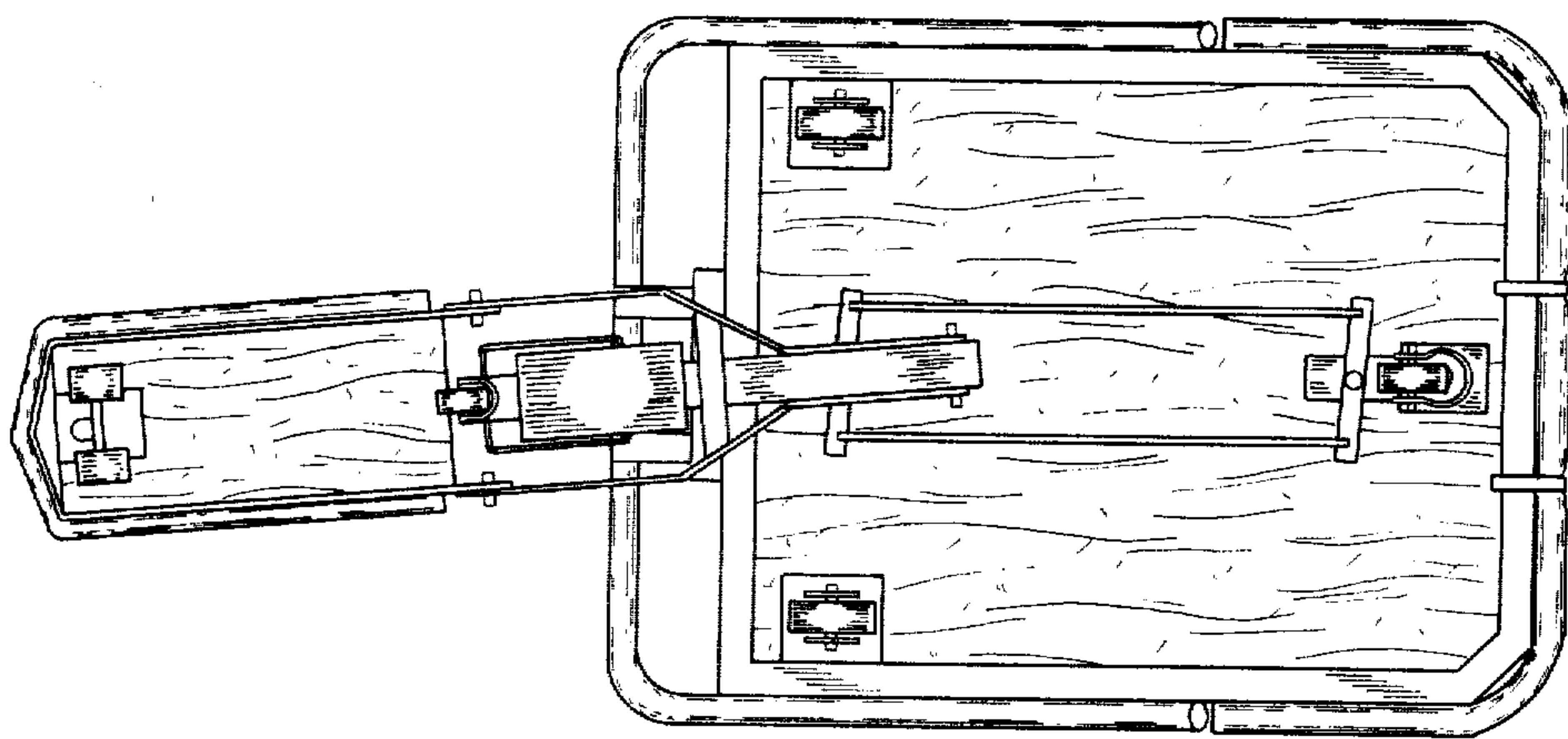


FIG. 3

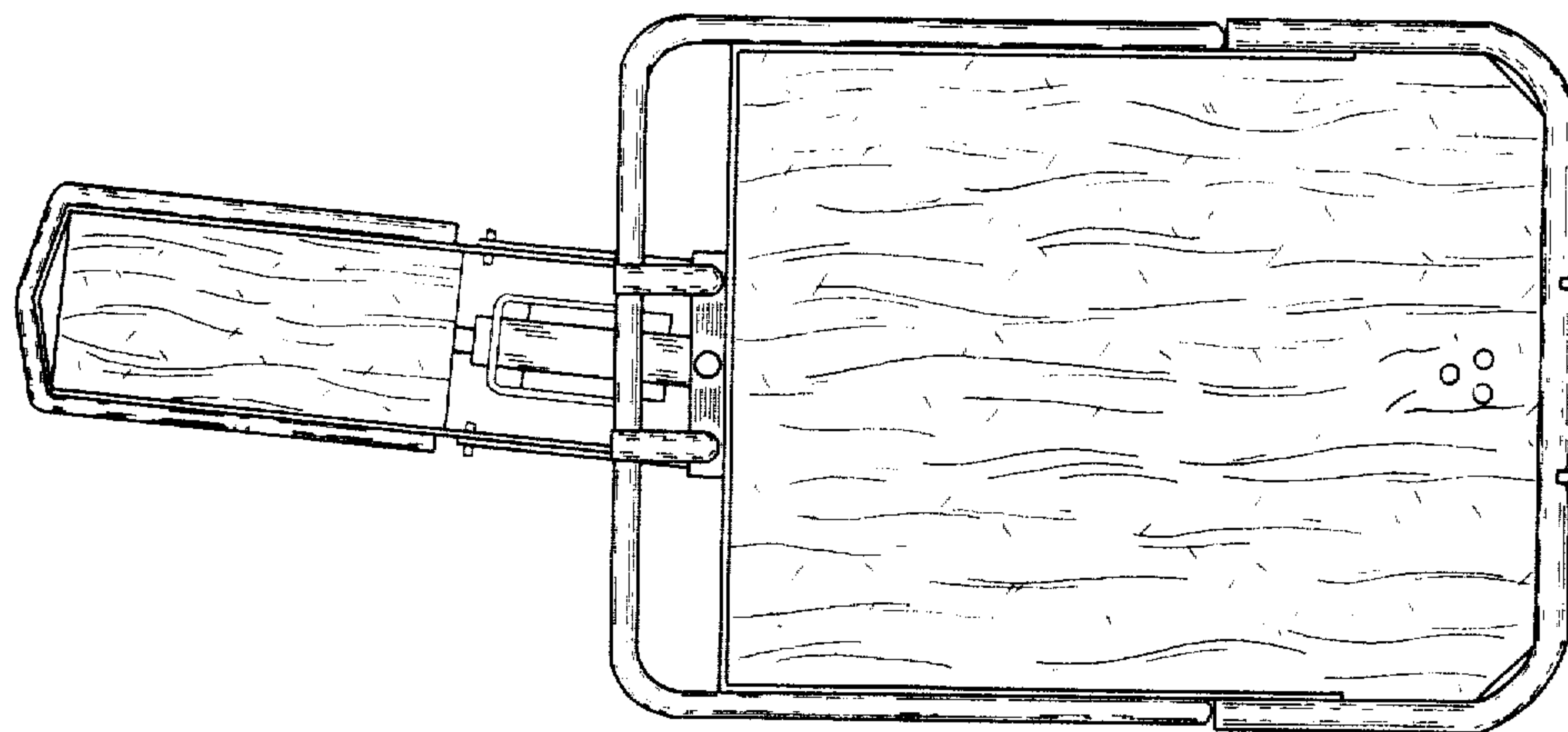


FIG. 4